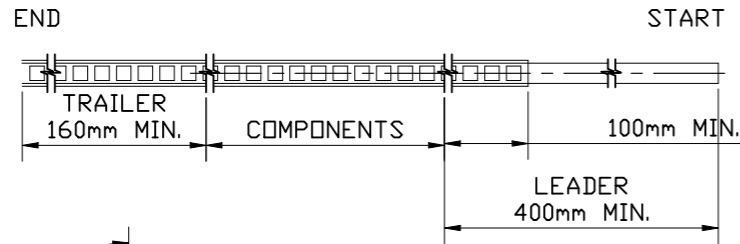
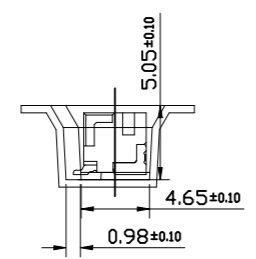
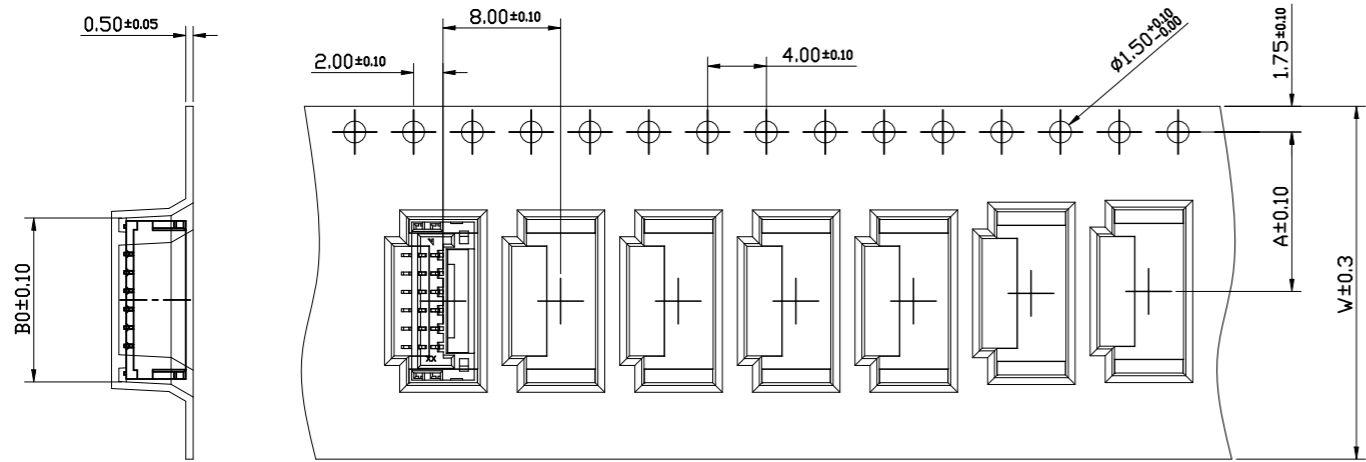
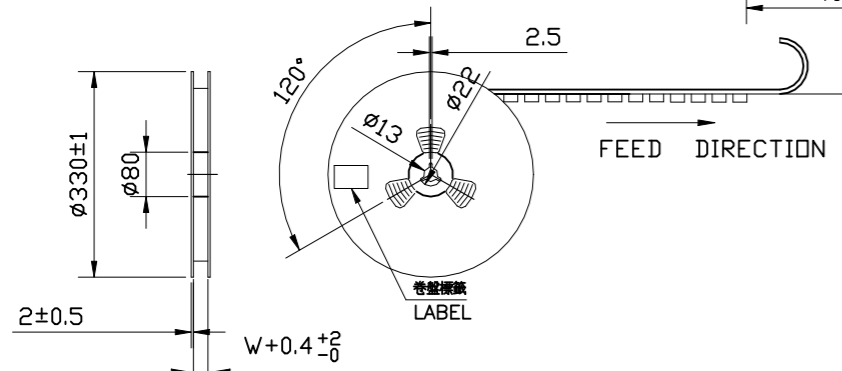




| REVISIONS |     |             |      |     |      |
|-----------|-----|-------------|------|-----|------|
| P         | LTR | DESCRIPTION | DATE | DWN | APVD |
| -         | -   | SEE SHEET 1 | -    | -   | -    |



- NOTES:
- 10 SPROCKET HOLE PITCH CUMULATIVE TOLERANCE: ±0.20mm
  - CARRIER CAMBER NOT TO EXCEED 1mm IN 100mm.
  - ALL DIMENSIONS MEET EIA-481 REQUIREMENTS.
  - MATERIAL: BLACK ANTI-STATIC POLYSTYRENE.
  - THICKNESS: 0.50±0.05 mm.
  - PACKING LENGTH PER 13" REEL : 13.0 METERS.
  - COMPONENT LOAD PER 13" REEL : 1600 PCS.



|        |       |       |                     |             |             |
|--------|-------|-------|---------------------|-------------|-------------|
| 17.29  |       |       | 11P                 | 7-2390138-1 | 5-2390138-1 |
| 16.04  |       |       | 10P                 | 7-2390138-0 | 5-2390138-0 |
| 14.79  |       |       | 9P                  | 6-2390138-9 | 4-2390138-9 |
| 13.54  |       |       | 8P                  | 6-2390138-8 | 4-2390138-8 |
| 12.29  |       |       | 7P                  | 6-2390138-7 | 4-2390138-7 |
| 11.04  |       |       | 6P                  | 6-2390138-6 | 4-2390138-6 |
| 9.79   |       |       | 5P                  | 6-2390138-5 | 4-2390138-5 |
| 8.54   |       |       | 4P                  | 6-2390138-4 | 4-2390138-4 |
| 7.29   |       |       | 3P                  | 6-2390138-3 | 4-2390138-3 |
| 6.04   |       |       | 2P                  | 6-2390138-2 | 4-2390138-2 |
| 17.29  |       |       | 11P                 | 3-2390138-1 | 1-2390138-1 |
| 16.04  |       |       | 10P                 | 3-2390138-0 | 1-2390138-0 |
| 14.79  |       |       | 9P                  | 2-2390138-9 | 2390138-9   |
| 13.54  |       |       | 8P                  | 2-2390138-8 | 2390138-8   |
| 12.29  |       |       | 7P                  | 2-2390138-7 | 2390138-7   |
| 11.04  |       |       | 6P                  | 2-2390138-6 | 2390138-6   |
| 9.79   |       |       | 5P                  | 2-2390138-5 | 2390138-5   |
| 8.54   |       |       | 4P                  | 2-2390138-4 | 2390138-4   |
| 7.29   |       |       | 3P                  | 2-2390138-3 | 2390138-3   |
| 6.04   |       |       | 2P                  | 2-2390138-2 | 2390138-2   |
|        |       |       | GOLD FLASH MATT TIN |             |             |
|        |       |       | PLATING SPEC        |             |             |
|        |       |       | PART NUMBER         |             |             |
| DIM B0 | DIM F | DIM W | POS                 |             |             |

| CKT. | W     | F     | B0    |
|------|-------|-------|-------|
| 2    |       |       | 6.04  |
| 3    | 16.00 | 7.50  | 7.29  |
| 4    |       |       | 8.54  |
| 5    |       |       | 9.79  |
| 6    |       |       | 11.04 |
| 7    |       |       | 12.29 |
| 8    | 24.00 | 11.50 | 13.54 |
| 9    |       |       | 14.79 |
| 10   |       |       | 16.04 |
| 11   |       |       | 17.29 |

THIS DRAWING IS A CONTROLLED DOCUMENT.

DWN Tommy Qian 12APR2021  
 CHK Niki Shi 12APR2021  
 APVD Niki Shi 12APR2021

**STE** TE Connectivity

NAME: 1.25mm PITCH WT B Conn. SMT V

PRODUCT SPEC: -  
 APPLICATION SPEC: -  
 WEIGHT: -

SIZE: A3 CAGE CODE: 00779 DRAWING NO: C=2390138 RESTRICTED TO: -

CUSTOMER DRAWING SCALE: N/A SHEET: 2 of 4 REV: A

| DIMENSIONS: | TOLERANCES UNLESS OTHERWISE SPECIFIED: |
|-------------|--|
| mm          |  |
| 0 PLC       | ± 0.5                                  |
| 1 PLC       | ± 0.25                                 |
| 2 PLC       | ± 0.15                                 |
| 3 PLC       | ± 0.1                                  |
| 4 PLC       | ± -                                    |
| ANGLES      | ± 2'                                   |

MATERIAL: NOTE 1 FINISH: NOTE 2

4

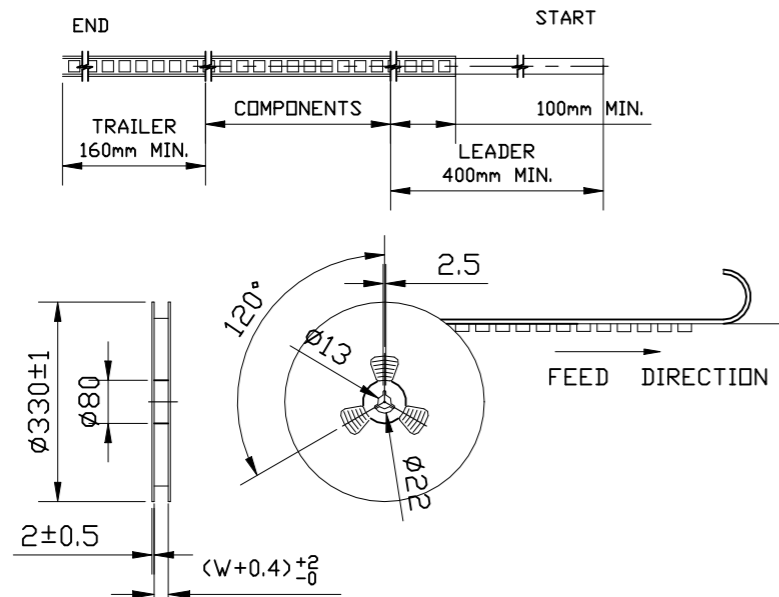
3

2

1

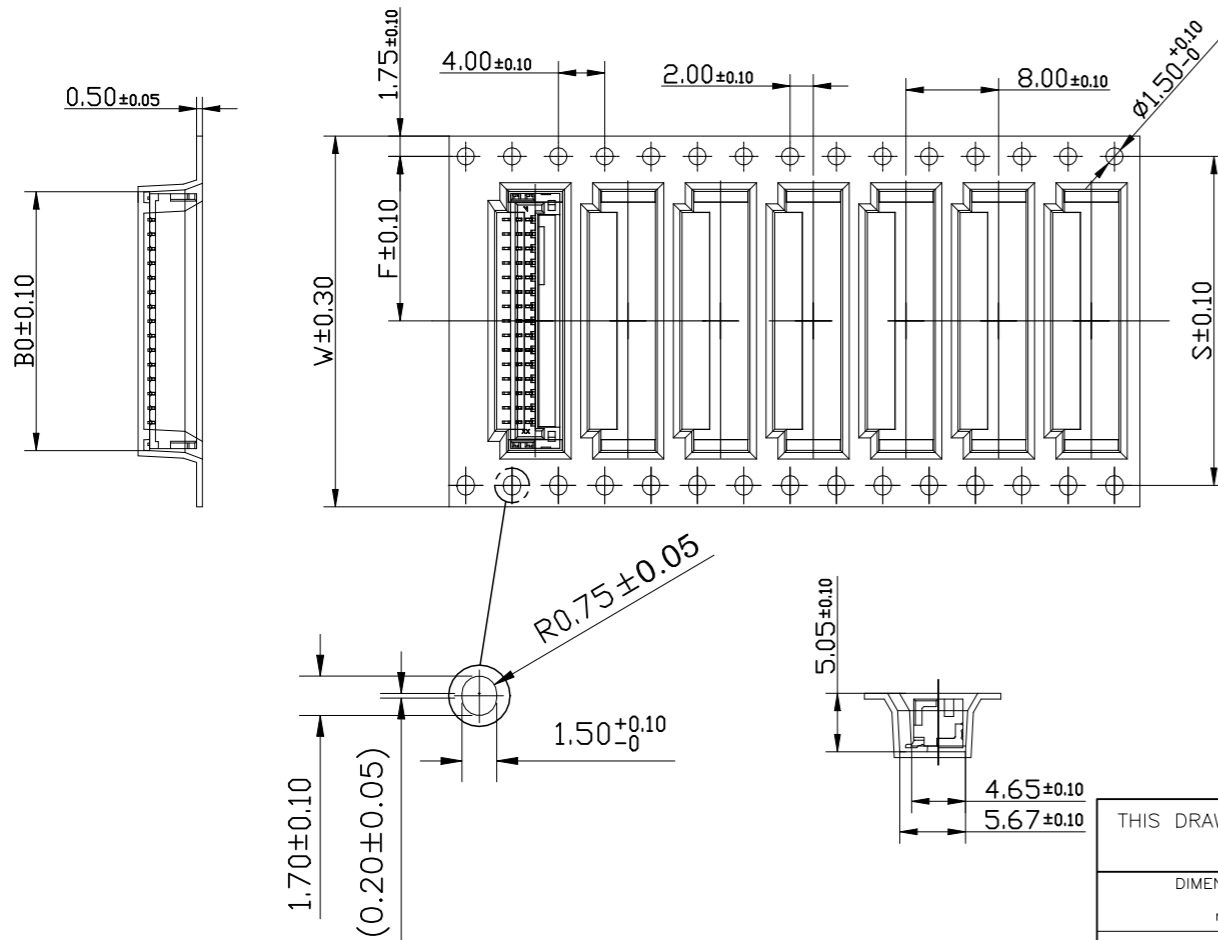
REVISIONS

| P | LTR | DESCRIPTION | DATE | DWN | APVD |
|---|-----|-------------|------|-----|------|
| - | -   | SEE SHEET 1 | -    | -   | -    |



NOTES:

1. 10 SPROCKET HOLE PITCH CUMULATIVE TOLERANCE.±0.20mm
2. CARRIER CAMBER NOT TO EXCEED 1mm IN 100mm.
3. ALL DIMENSIONS MEET EIA-481 REQUIREMENTS.
4. MATERIAL: BLACK ANTI-STATIC POLYSTYRENE.
5. THICKNESS: 0.50±0.05 mm.
6. PACKING LENGHT PER 13" REEL : 13.0 METERS.
7. COMPONENT LOAD PER 13" REEL : 1600 PCS.



| CKT. | W     | F     | S     | B0    |
|------|-------|-------|-------|-------|
| 12   |       |       |       | 18.54 |
| 13   | 32.00 | 14.20 | 28.40 | 19.79 |
| 14   |       |       |       | 21.04 |
| 15   |       |       |       | 22.29 |

|       |       |       |       |              |             |             |
|-------|-------|-------|-------|--------------|-------------|-------------|
| 22.29 |       |       |       | 15P          | 7-2390138-5 | 5-2390138-5 |
| 21.04 | 28.40 | 14.20 | 32.00 | 14P          | 7-2390138-4 | 5-2390138-4 |
| 19.79 |       |       |       | 13P          | 7-2390138-3 | 5-2390138-3 |
| 18.54 |       |       |       | 12P          | 7-2390138-2 | 5-2390138-2 |
| 22.29 |       |       |       | 15P          | 3-2390138-5 | 1-2390138-5 |
| 21.04 | 28.40 | 14.20 | 32.00 | 14P          | 3-2390138-4 | 1-2390138-4 |
| 19.79 |       |       |       | 13P          | 3-2390138-3 | 1-2390138-3 |
| 18.54 |       |       |       | 12P          | 3-2390138-2 | 1-2390138-2 |
|       |       |       |       | GOLD FLASH   |             | MATT TIN    |
|       |       |       |       | PLATING SPEC |             |             |
|       |       |       |       | PART NUMBER  |             |             |

THIS DRAWING IS A CONTROLLED DOCUMENT.

| DIMENSIONS: | TOLERANCES UNLESS OTHERWISE SPECIFIED: |
|-------------|--|
| mm          | 0 PLC ± 0.5                            |
|             | 1 PLC ± 0.25                           |
|             | 2 PLC ± 0.15                           |
|             | 3 PLC ± 0.1                            |
|             | 4 PLC ± -                              |
|             | ANGLES ± 2'                            |

MATERIAL NOTE 1 FINISH NOTE 2

|                  |            |            |                        |        |     |
|------------------|------------|------------|------------------------|--------|-----|
| DWN              | Tommy Qian | 12APR2021  | TE Connectivity        |        |     |
| CHK              | Niki Shi   | 12APR2021  |                        |        |     |
| APVD             | Niki Shi   | 12APR2021  |                        |        |     |
| PRODUCT SPEC     | -          |            |                        |        |     |
| APPLICATION SPEC |            |            | NAME                   |        |     |
| -                |            |            | 1.25mm PITCH WTB Conn. |        |     |
| -                |            |            | SMT V                  |        |     |
| -                |            |            | -                      |        |     |
| SIZE             | CAGE CODE  | DRAWING NO | RESTRICTED TO          |        |     |
| A3               | 00779      | C=2390138  | -                      |        |     |
| CUSTOMER DRAWING |            |            | SCALE                  | SHEET  | REV |
|                  |            |            | N/A                    | 3 OF 4 | A   |

NOTE:

1. STAPLES SHOULD ONLY BE USED TO SET UP CARTON  
ALL CARTONS CLOSURES MUST BE DONE WITH TAPE.
2. FILL PACKAGING REEL WITH THE QUANTITIES AS INDICATED

4

3

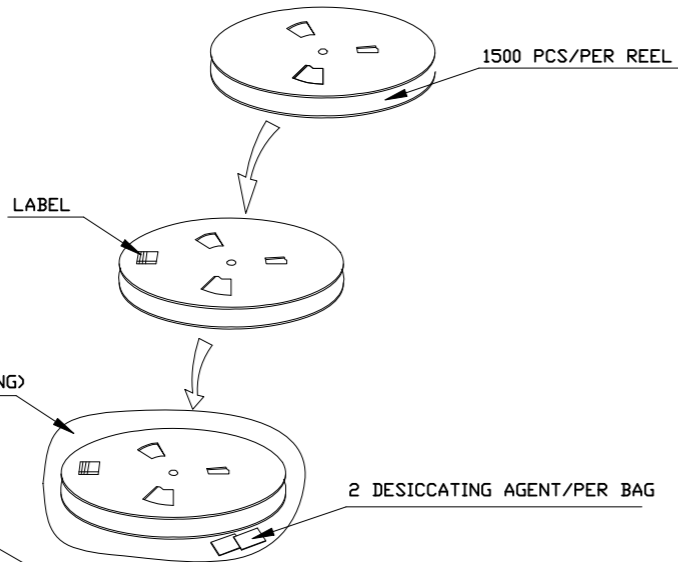
2

1

© 2021 TE Connectivity. All Rights Reserved.

REVISIONS

| P | LTR | DESCRIPTION | DATE | DWN | APVD |
|---|-----|-------------|------|-----|------|
| - | -   | SEE SHEET 1 | -    | -   | -    |



NOTE:

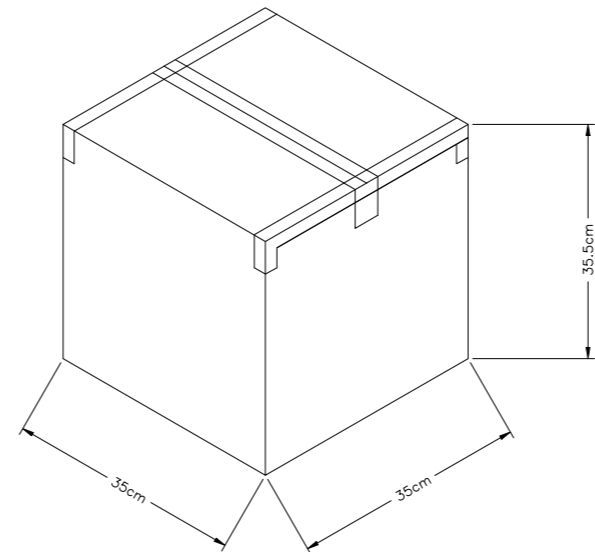
1. STAPLES SHOULD ONLY BE USED TO SET UP CARTON  
ALL CARTONS CLOSURES MUST BE DONE WITH TAPE.
2. FILL PACKAGING REEL WITH THE QUANTITIES AS INDICATED

2 SPONGE (35X35X0.10cm)/PER CARTON

2 DESICCATING AGENT/PER BAG

XX REELS/PER CARTON

4 SPONGE/PER CARTON



|                  |                |                  |     |              |             |
|------------------|----------------|------------------|-----|--------------|-------------|
| 8000(PCS)        | 1600(PCS)      | 5                | 15P | 7-2390138-5  | 5-2390138-5 |
| 8000(PCS)        | 1600(PCS)      | 5                | 14P | 7-2390138-4  | 5-2390138-4 |
| 8000(PCS)        | 1600(PCS)      | 5                | 13P | 7-2390138-3  | 5-2390138-3 |
| 8000(PCS)        | 1600(PCS)      | 5                | 12P | 7-2390138-2  | 5-2390138-2 |
| 8000(PCS)        | 1600(PCS)      | 5                | 11P | 7-2390138-1  | 5-2390138-1 |
| 8000(PCS)        | 1600(PCS)      | 5                | 10P | 7-2390138-0  | 5-2390138-0 |
| 8000(PCS)        | 1600(PCS)      | 5                | 9P  | 6-2390138-9  | 4-2390138-9 |
| 8000(PCS)        | 1600(PCS)      | 5                | 8P  | 6-2390138-8  | 4-2390138-8 |
| 8000(PCS)        | 1600(PCS)      | 5                | 7P  | 6-2390138-7  | 4-2390138-7 |
| 8000(PCS)        | 1600(PCS)      | 5                | 6P  | 6-2390138-6  | 4-2390138-6 |
| 16000(PCS)       | 1600(PCS)      | 10               | 5P  | 6-2390138-5  | 4-2390138-5 |
| 16000(PCS)       | 1600(PCS)      | 10               | 4P  | 6-2390138-4  | 4-2390138-4 |
| 16000(PCS)       | 1600(PCS)      | 10               | 3P  | 6-2390138-3  | 4-2390138-3 |
| 16000(PCS)       | 1600(PCS)      | 10               | 2P  | 6-2390138-2  | 4-2390138-2 |
| 8000(PCS)        | 1600(PCS)      | 5                | 15P | 3-2390138-5  | 1-2390138-5 |
| 8000(PCS)        | 1600(PCS)      | 5                | 14P | 3-2390138-4  | 1-2390138-4 |
| 8000(PCS)        | 1600(PCS)      | 5                | 13P | 3-2390138-3  | 1-2390138-3 |
| 8000(PCS)        | 1600(PCS)      | 5                | 12P | 3-2390138-2  | 1-2390138-2 |
| 8000(PCS)        | 1600(PCS)      | 5                | 11P | 3-2390138-1  | 1-2390138-1 |
| 8000(PCS)        | 1600(PCS)      | 5                | 10P | 3-2390138-0  | 1-2390138-0 |
| 8000(PCS)        | 1600(PCS)      | 5                | 9P  | 2-2390138-9  | 2390138-9   |
| 8000(PCS)        | 1600(PCS)      | 5                | 8P  | 2-2390138-8  | 2390138-8   |
| 8000(PCS)        | 1600(PCS)      | 5                | 7P  | 2-2390138-7  | 2390138-7   |
| 8000(PCS)        | 1600(PCS)      | 5                | 6P  | 2-2390138-6  | 2390138-6   |
| 16000(PCS)       | 1600(PCS)      | 10               | 5P  | 2-2390138-5  | 2390138-5   |
| 16000(PCS)       | 1600(PCS)      | 10               | 4P  | 2-2390138-4  | 2390138-4   |
| 16000(PCS)       | 1600(PCS)      | 10               | 3P  | 2-2390138-3  | 2390138-3   |
| 16000(PCS)       | 1600(PCS)      | 10               | 2P  | 2-2390138-2  | 2390138-2   |
| PARTS PER CARTON | PARTS PER REEL | REELS PER CARTON | POS | GOLD FLASH   | MATT TIN    |
|                  |                |                  |     | PLATING SPEC |             |
|                  |                |                  |     | PART NUMBER  |             |

THIS DRAWING IS A CONTROLLED DOCUMENT.

DWN Tommy Qian 12APR2021

CHK Niki Shi 12APR2021

APVD Niki Shi 12APR2021

**STE** TE Connectivity

| DIMENSIONS: | TOLERANCES UNLESS OTHERWISE SPECIFIED: |
|-------------|--|
| mm          |  |
| 0 PLC       | ± 0.5                                  |
| 1 PLC       | ± 0.25                                 |
| 2 PLC       | ± 0.15                                 |
| 3 PLC       | ± 0.1                                  |
| 4 PLC       | ± -                                    |
| ANGLES      | ± 2'                                   |

PRODUCT SPEC

108-115184

APPLICATION SPEC

NAME  
1.25mm PITCH WTB Conn.  
SMT V  
-

MATERIAL NOTE 1

FINISH NOTE 2

WEIGHT -

| SIZE | CAGE CODE | DRAWING NO | RESTRICTED TO |
|------|-----------|------------|---------------|
| A3   | 00779     | C=2390138  | -             |

CUSTOMER DRAWING

SCALE N/A SHEET 4 OF 4 REV A

# Mouser Electronics

Authorized Distributor

Click to View Pricing, Inventory, Delivery & Lifecycle Information:

[TE Connectivity:](#)

[3-2390138-3](#)