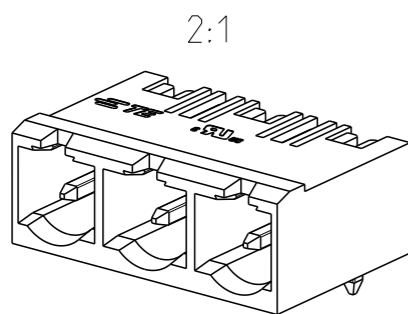
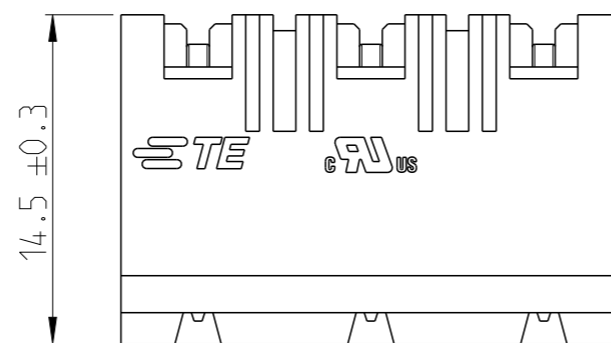


P	LTR	DESCRIPTION	DATE	DWN	APVD
	A	PRODUCTION RELEASE	24 JAN 2022	SCB	PS

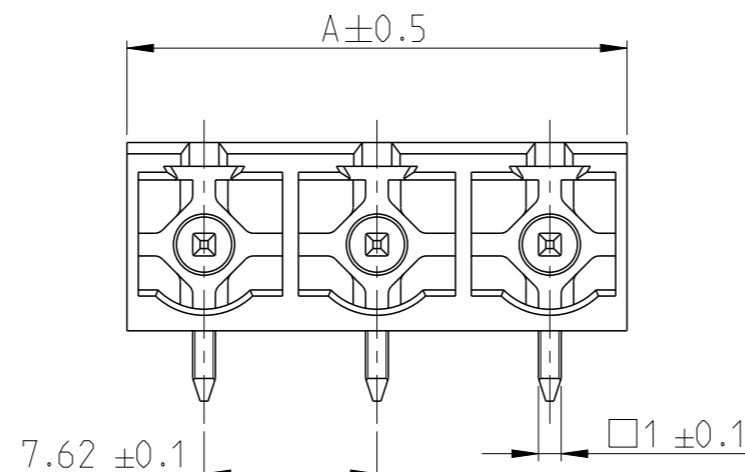
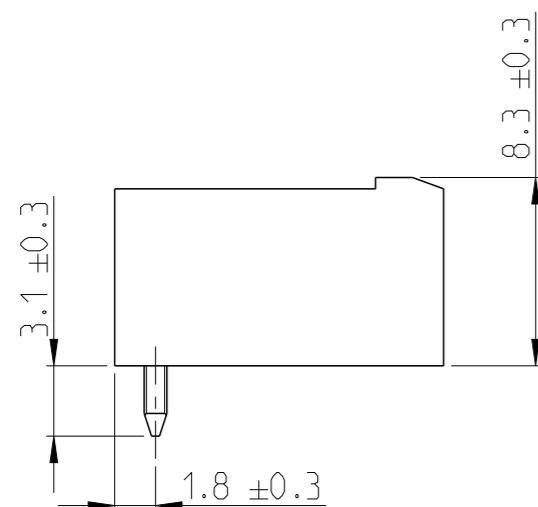


2385011-3 AS SHOWN

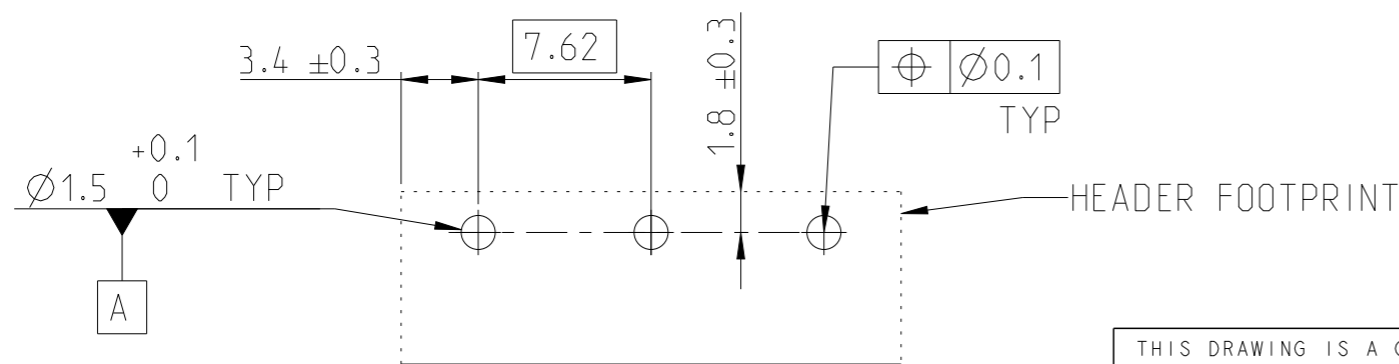


NOTES:

- 1 MATERIALS & FINISH
HOUSING : PA66, UL94 V0, COLOR - LIGHT GREEN
CONTACT : COPPER ALLOY, TIN PLATED
- 2. ELECTRICAL
RATED CURRENT AND VOLTAGE : 20AMP 300V(UG B/C)
: 5AMP 600V(UG D)
INSULATION RESISTANCE : >2000 M Ohm (500V DC)
- 3. OPERATING TEMPERATURE RANGE : -40°C TO +105°C
- 4 TOLERANCE NOT CUMULATIVE



90.62	12	1-2385011-2
83.00	11	1-2385011-1
75.38	10	1-2385011-0
67.76	9	2385011-9
60.14	8	2385011-8
52.52	7	2385011-7
44.90	6	2385011-6
37.28	5	2385011-5
29.66	4	2385011-4
22.04	3	2385011-3
14.42	2	2385011-2
DIM A	POS	TE PN



RECOMMENDED PCB LAYOUT

THIS DRAWING IS A CONTROLLED DOCUMENT.		DWN 24 JAN 2022 SHRICHARANA B		TE Connectivity	
DIMENSIONS: mm		CHK 24 JAN 2022 SUBHASREE S			
TOLERANCES UNLESS OTHERWISE SPECIFIED:		APVD 24 JAN 2022 PRASHANTH S		NAME TERMINAL BLOCK, 90 DEG HEADER, 7.62mm PITCH, TAIL LENGTH 3.1 mm	
0 PLC ± 1 PLC ± 2 PLC ± 3 PLC ± 4 PLC ± ANGLES ±		PRODUCT SPEC 108-32299		SIZE A3	
MATERIAL		FINISH		CAGE CODE 00779	
1		1		DRAWING NO C-2385011	
CUSTOMER DRAWING				RESTRICTED TO	
				SCALE 5:1	
				SHEET 1 OF 1	
				REV A	

Mouser Electronics

Authorized Distributor

Click to View Pricing, Inventory, Delivery & Lifecycle Information:

[TE Connectivity:](#)

[2385011-7](#)