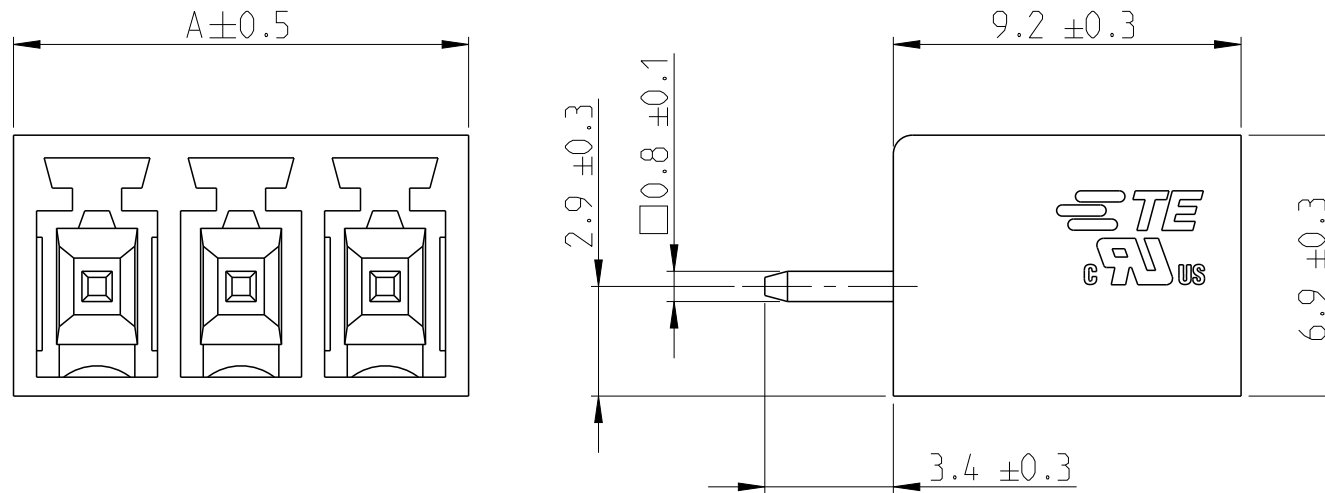
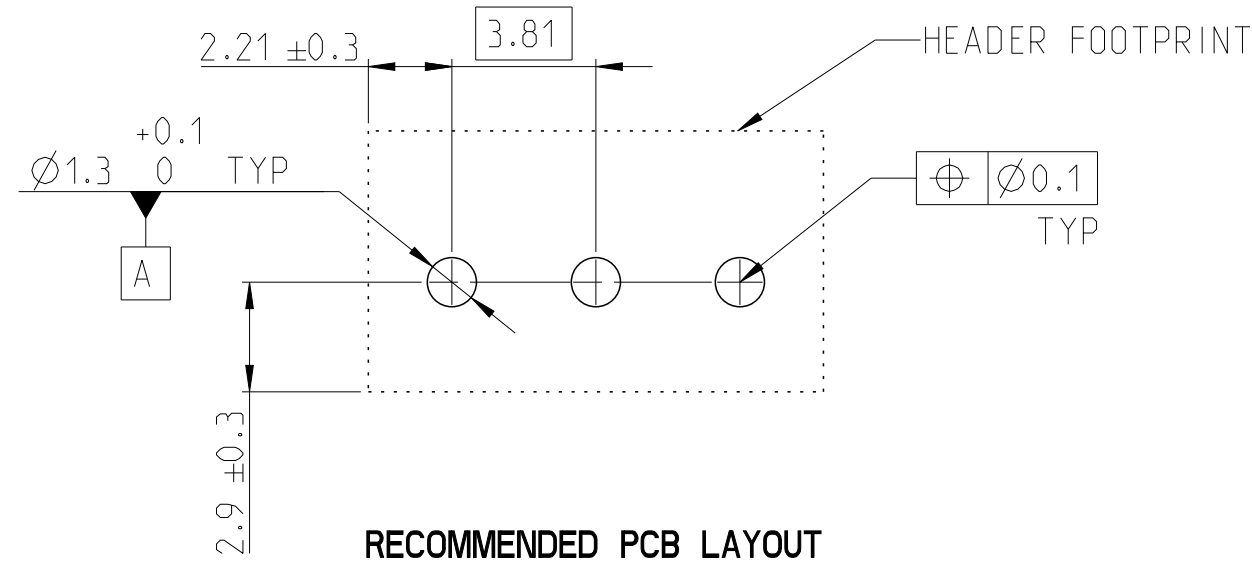
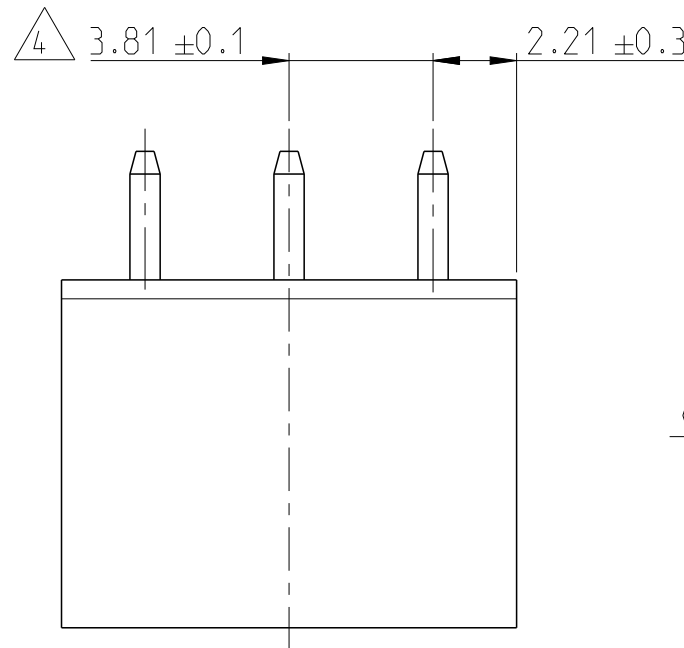


P	LTR	DESCRIPTION	DATE	DWN	APVD
	A	PRODUCTION RELEASE	19JAN2022	SCB	PS

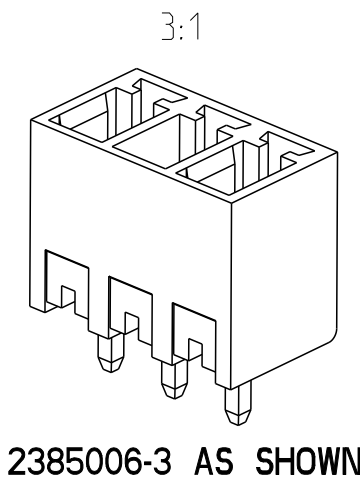


NOTES:

1. MATERIALS & FINISH
 HOUSING : PA66, UL94 V0, COLOR - LIGHT GREEN
 CONTACT : COPPER ALLOY, TIN PLATED
2. ELECTRICAL
 RATED VOLTAGE : 300V
 RATED CURRENT : 10A
 INSULATION RESISTANCE : >2000 M Ohm (500V DC)
3. OPERATING TEMPERATURE RANGE : -40°C TO +105°C
4. TOLERANCE NOT CUMULATIVE



76.81	20	2-2385006-0
73.00	19	1-2385006-9
69.19	18	1-2385006-8
65.38	17	1-2385006-7
61.57	16	1-2385006-6
57.76	15	1-2385006-5
53.95	14	1-2385006-4
50.14	13	1-2385006-3
46.33	12	1-2385006-2
42.52	11	1-2385006-1
38.71	10	1-2385006-0
34.90	9	2385006-9
31.09	8	2385006-8
27.28	7	2385006-7
23.47	6	2385006-6
19.66	5	2385006-5
15.85	4	2385006-4
12.04	3	2385006-3
8.23	2	2385006-2
DIM A	NO. OF POS	TE PN



THIS DRAWING IS A CONTROLLED DOCUMENT.		DWN 12JAN2022 SHRICHARANA B			NAME TERMINAL BLOCK, 180 DEG HEADER, PITCH 3.81mm, TAIL LENGTH 3.4mm		
DIMENSIONS: mm		CHK 12JAN2022 SUBHASREE S					PRODUCT SPEC 108-32299
TOLERANCES UNLESS OTHERWISE SPECIFIED:		APVD 12JAN2022 PRASHANTH S					APPLICATION SPEC 114-32242
0 PLC ± 1 PLC ± 2 PLC ± 3 PLC ± 4 PLC ± ANGLES ±		WEIGHT -					SIZE A3
MATERIAL 1		FINISH 1	CUSTOMER DRAWING		SCALE 5:1	SHEET 1 OF 1	REV A

Mouser Electronics

Authorized Distributor

Click to View Pricing, Inventory, Delivery & Lifecycle Information:

[TE Connectivity:](#)

[2385006-6](#)