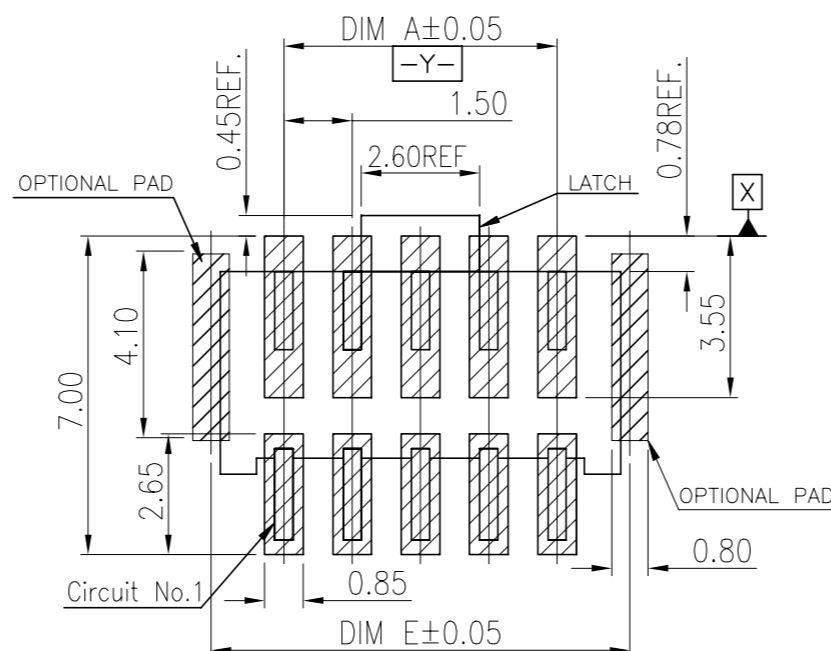
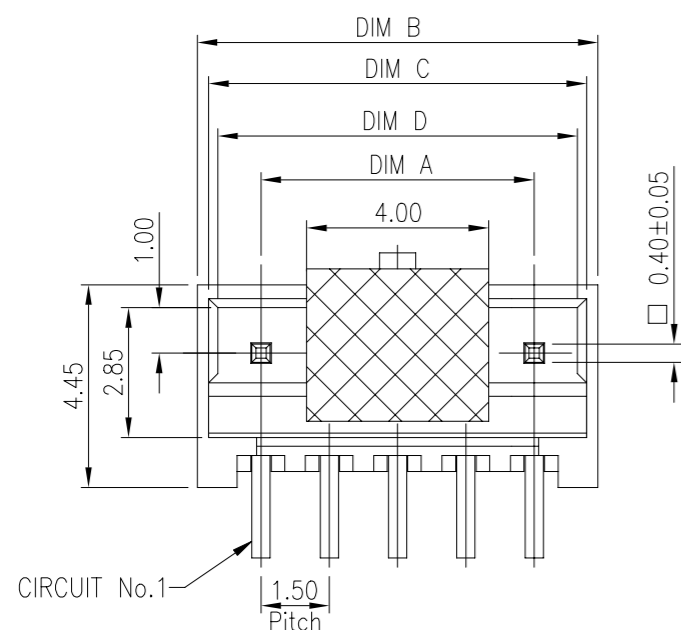


P	LTR	DESCRIPTION	DATE	DWN	APVD
A		ECR-21-108912	08MAY2021	T.Q	N.S

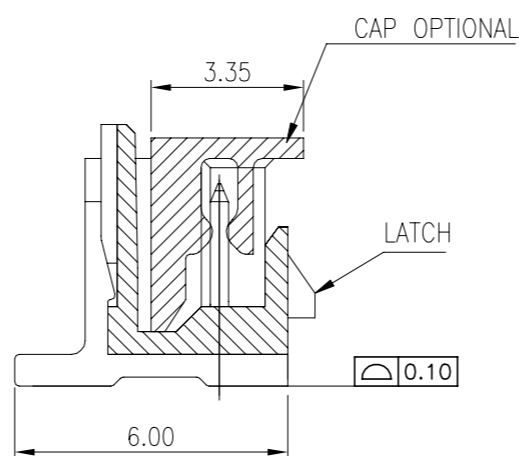
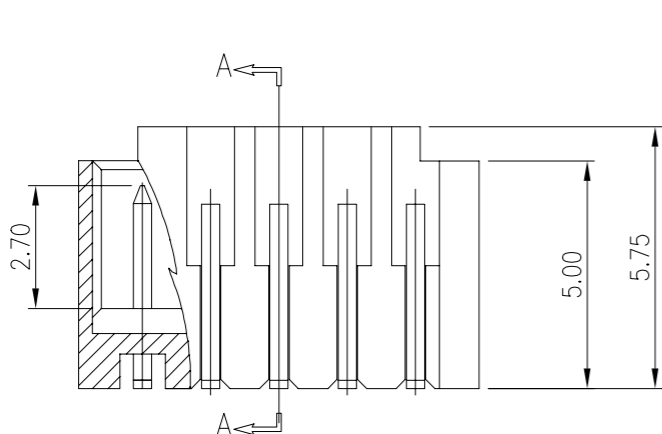


RECOMMENDED PCB LAYOUT FOR \*-2380320-\*

TOLERANCE ± 0.05

NOTES:

- MATERIAL:
  - HOUSING: HALOGEN FREE PLASTIC,UL94V-0.
  - CONTACT: COPPER ALLOY
- FINISH:
  - TYPE A: CONTACT: 50U" MIN. NICKEL UNDER PLATING OVERALL  
100U" MIN. MATTE TIN PLATING ON CONTACT AREA AND SOLDER AREA.
  - TYPE B: CONTACT: 50U" MIN. NICKEL UNDER PLATING OVERALL  
GOLD FLASH PLATING ON CONTACT AREA AND SOLDER AREA.
- REFLOW SOLDER CAPABLE TO 260°C, PER PRODUCTION SPEC.



SEC. A-A

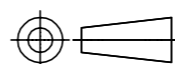
COLOR	DIM.E	DIM.D	DIM.C	DIM.B	DIM.A	POS.NO.	PLATING SPEC.	
							TYPE B	TYPE A
BLACK	4.7	3.4	3.8	4.3	1.5	2	6-2380320-2	4-2380320-2
	6.2	4.9	5.3	5.8	3.0	3	6-2380320-3	4-2380320-3
	7.7	6.4	6.8	7.3	4.5	4	6-2380320-4	4-2380320-4
	9.2	7.9	8.3	8.8	6.0	5	6-2380320-5	4-2380320-5
	10.7	9.4	9.8	10.3	7.5	6	6-2380320-6	4-2380320-6
	12.2	10.9	11.3	11.8	9.0	7	6-2380320-7	4-2380320-7
	13.7	12.4	12.8	13.3	10.5	8	6-2380320-8	4-2380320-8
	15.2	13.9	14.3	14.8	12.0	9	6-2380320-9	4-2380320-9
	16.7	15.4	15.8	16.3	13.5	10	7-2380320-0	5-2380320-0
	18.2	16.9	17.3	17.8	15.0	11	7-2380320-1	5-2380320-1
	19.7	18.4	18.8	19.3	16.5	12	7-2380320-2	5-2380320-2
	21.2	19.9	20.3	20.8	18.0	13	7-2380320-3	5-2380320-3
	22.7	21.4	21.8	22.3	19.5	14	7-2380320-4	5-2380320-4
	24.2	22.9	23.3	23.8	21.0	15	7-2380320-5	5-2380320-5
	NATURAL	4.7	3.4	3.8	4.3	1.5	2	2-2380320-2
6.2		4.9	5.3	5.8	3.0	3	2-2380320-3	2380320-3
7.7		6.4	6.8	7.3	4.5	4	2-2380320-4	2380320-4
9.2		7.9	8.3	8.8	6.0	5	2-2380320-5	2380320-5
10.7		9.4	9.8	10.3	7.5	6	2-2380320-6	2380320-6
12.2		10.9	11.3	11.8	9.0	7	2-2380320-7	2380320-7
13.7		12.4	12.8	13.3	10.5	8	2-2380320-8	2380320-8
15.2		13.9	14.3	14.8	12.0	9	2-2380320-9	2380320-9
16.7		15.4	15.8	16.3	13.5	10	3-2380320-0	1-2380320-0
18.2		16.9	17.3	17.8	15.0	11	3-2380320-1	1-2380320-1
19.7		18.4	18.8	19.3	16.5	12	3-2380320-2	1-2380320-2
21.2		19.9	20.3	20.8	18.0	13	3-2380320-3	1-2380320-3
22.7		21.4	21.8	22.3	19.5	14	3-2380320-4	1-2380320-4
24.2		22.9	23.3	23.8	21.0	15	3-2380320-5	1-2380320-5

THIS DRAWING IS A CONTROLLED DOCUMENT.

DWN Jone Ji 23SEP2020

DIMENSIONS: mm

TOLERANCES UNLESS OTHERWISE SPECIFIED:



- 0 PLC ± 0.5
- 1 PLC ± 0.35
- 2 PLC ± 0.25
- 3 PLC ± 0.15
- 4 PLC ± -
- ANGLES ± 2'

MATERIAL SEE NOTE

FINISH -

CHK Wenke He

APVD Wenke He

PRODUCT SPEC

APPLICATION SPEC

WEIGHT

CUSTOMER DRAWING

**STE** TE Connectivity Ltd.

1.5P WTB VERTICAL TYPE WITH LATCH

SIZE	CAGE CODE	DRAWING NO	RESTRICTED TO
A3	00779	C=2380320	-

SCALE N/A SHEET 1 of 5 REV A

4

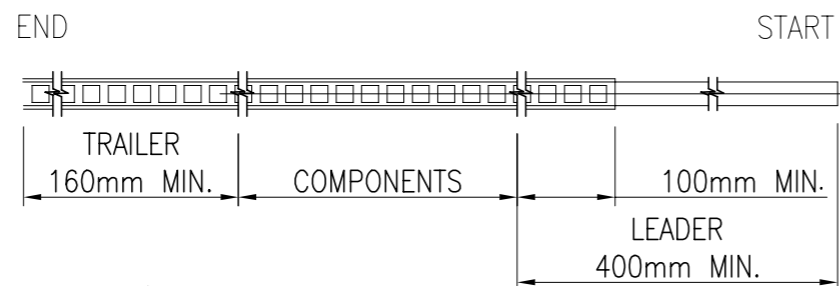
3

2

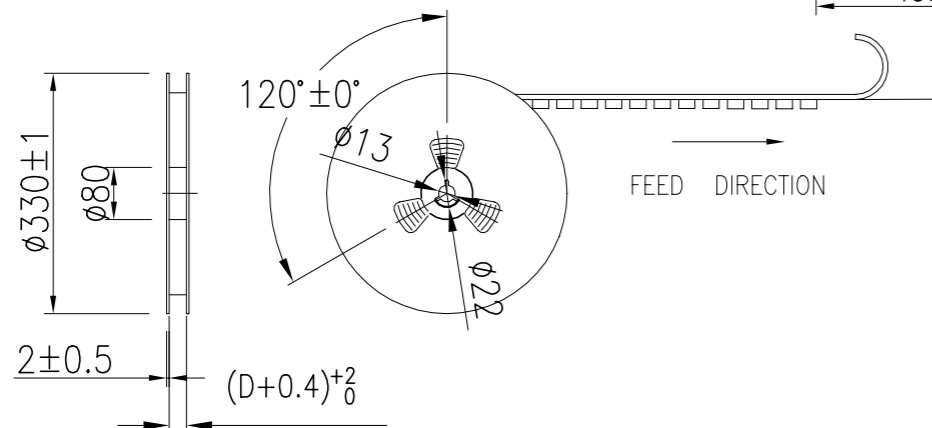
1

REVISIONS

P	LTR	DESCRIPTION	DATE	DWN	APVD
-	-	SEE SHEET 1	-	-	-

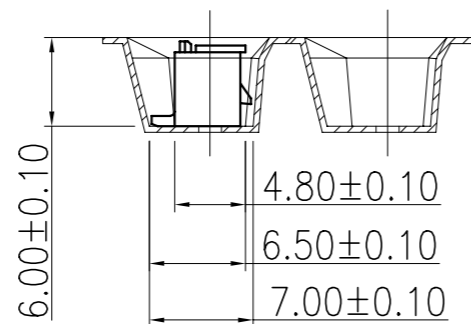
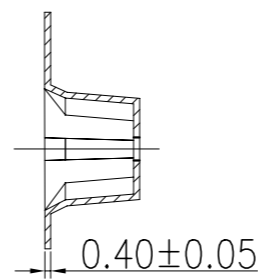
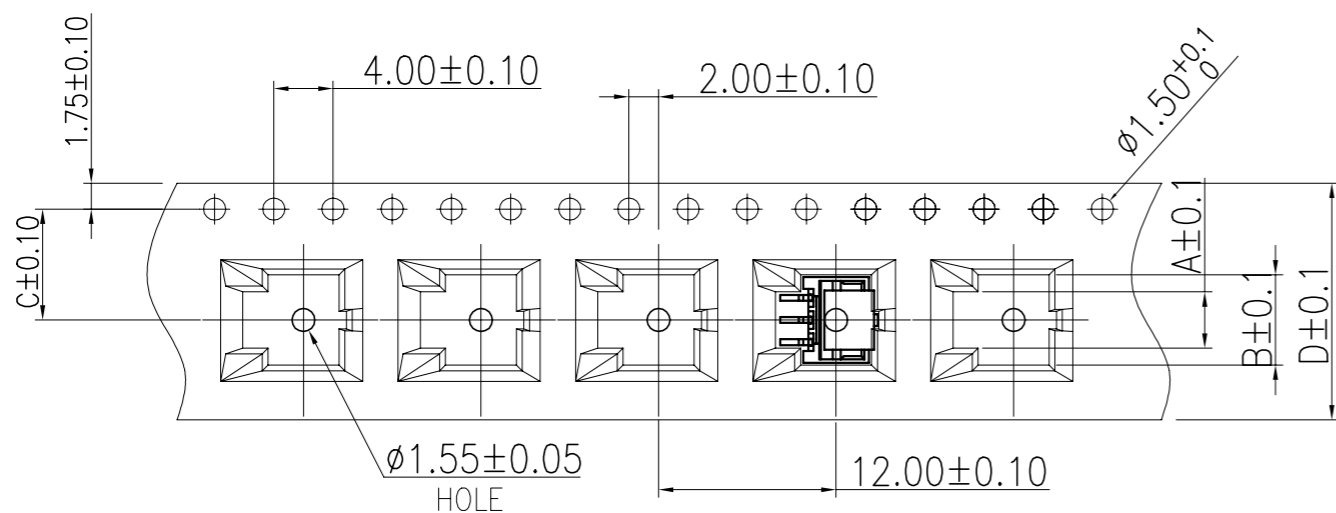


POS. NO	DIM A	DIM B	DIM C	DIM D
2	2.30	4.60	7.50	16.00
3	3.80	6.10		
4	5.30	7.60		



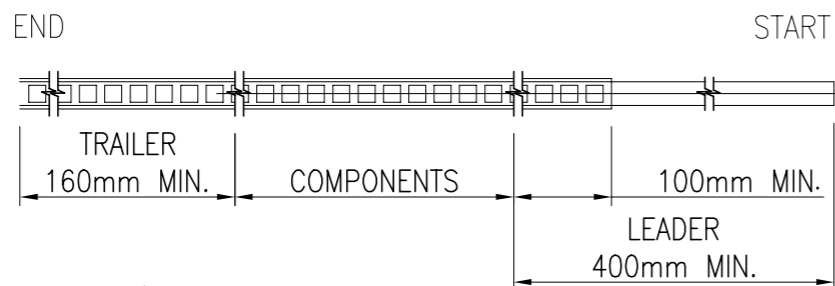
NOTES:

1. 10 SPROCKET HOLE PITCH CUMULATIVE TOLERANCE: ±0.20mm
2. CARRIER CAMBER NOT TO EXCEED 1mm IN 100mm.
3. ALL DIMENSIONS MEET EIA-481-C REQUIREMENTS.
4. MATERIAL: BLACK ANTI-STATIC POLYSTYRENE.
5. THICKNESS: 0.40±0.05 mm.
6. PACKING LENGTH PER 13" REEL : 12.4 METERS.
7. COMPONENT LOAD PER 13" REEL : 950 PCS.
8. PRODUCTS PLACEMENT MUST BE IN THE SAME DIRECTION.



THIS DRAWING IS A CONTROLLED DOCUMENT.		DWN	23SEP2020		<b>STE</b> TE Connectivity Ltd.
		CHK	Jone Ji		
		APVD	Wenke He		NAME
		PRODUCT SPEC	Wenke He		
		APPLICATION SPEC	-		1.5P WTB VERTICAL TYPE WITH LATCH
		WEIGHT	-		
DIMENSIONS: mm		TOLERANCES UNLESS OTHERWISE SPECIFIED:		SIZE	RESTRICTED TO
		0 PLC ± 0.5		CAGE CODE	-
		1 PLC ± 0.35		DRAWING NO	
		2 PLC ± 0.25		SCALE	N/A
		3 PLC ± 0.15		SHEET	
		4 PLC ± -		REV	
		ANGLES ± 2'		2 of 5	
MATERIAL		FINISH		A	
SEE NOTE		-		CUSTOMER DRAWING	

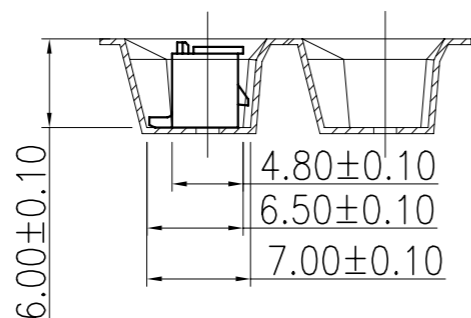
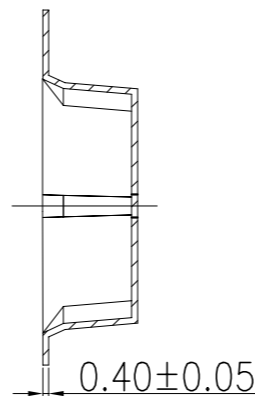
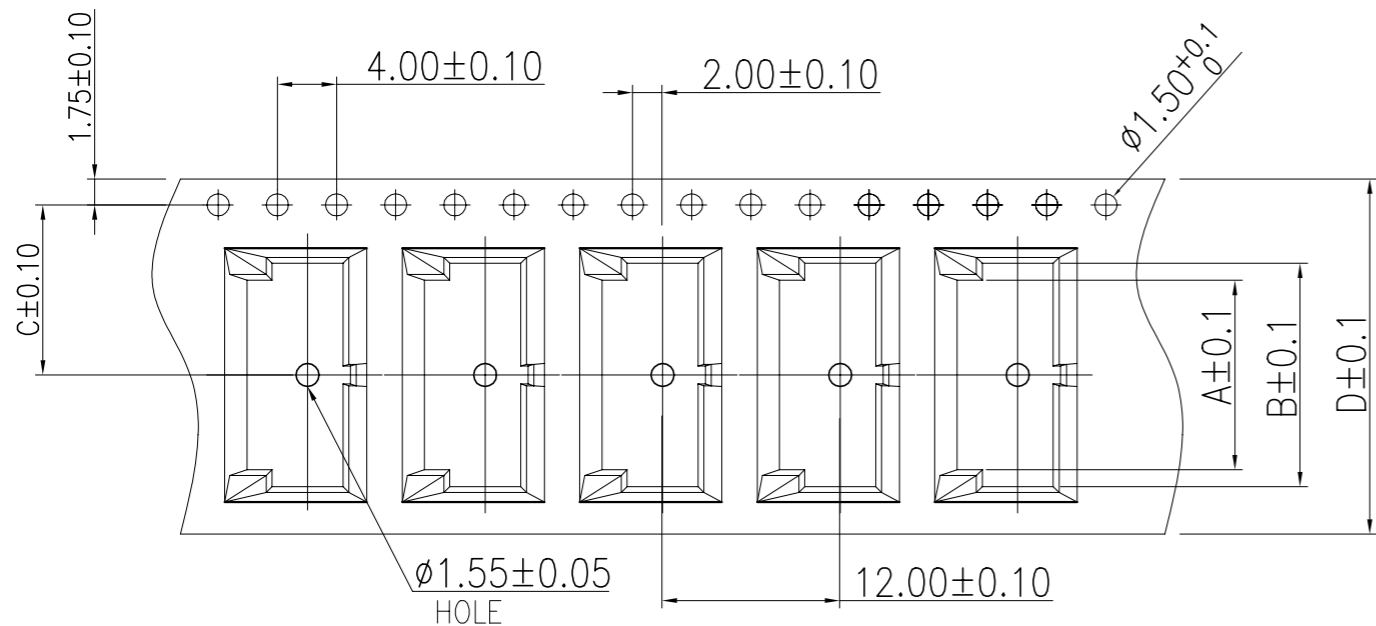
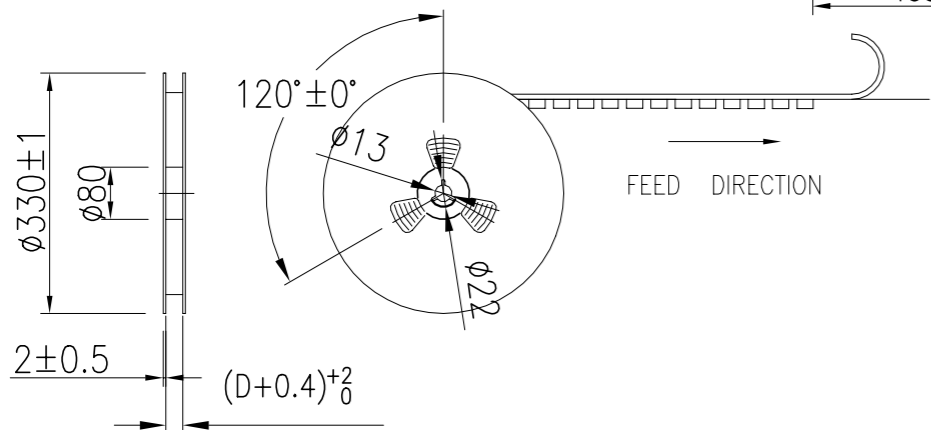
P	LTR	DESCRIPTION	DATE	DWN	APVD
-	-	SEE SHEET 1	-	-	-



POS. NO	DIM A	DIM B	DIM C	DIM D
5	6.80	9.10	11.5	24
6	8.30	10.60		
7	9.80	12.10		
8	11.30	13.60		
9	12.80	15.10		

NOTES:

- 10 SPROCKET HOLE PITCH CUMULATIVE TOLERANCE: ±0.20mm
- CARRIER CAMBER NOT TO EXCEED 1mm IN 100mm.
- ALL DIMENSIONS MEET EIA-481-C REQUIREMENTS.
- MATERIAL: BLACK ANTI-STATIC POLYSTYRENE.
- THICKNESS: 0.40±0.05 mm.
- PACKING LENGTH PER 13" REEL : 12.4 METERS.
- COMPONENT LOAD PER 13" REEL : 950 PCS.
- PRODUCTS PLACEMENT MUST BE IN THE SAME DIRECTION.



THIS DRAWING IS A CONTROLLED DOCUMENT.

DWN Jone Ji 23SEP2020

CHK Wenke He

APVD Wenke He

PRODUCT SPEC

APPLICATION SPEC

WEIGHT

CUSTOMER DRAWING

**STE** TE Connectivity Ltd.

1.5P WTB VERTICAL TYPE WITH LATCH

SIZE	CAGE CODE	DRAWING NO	RESTRICTED TO
A3	00779	C=2380320	-

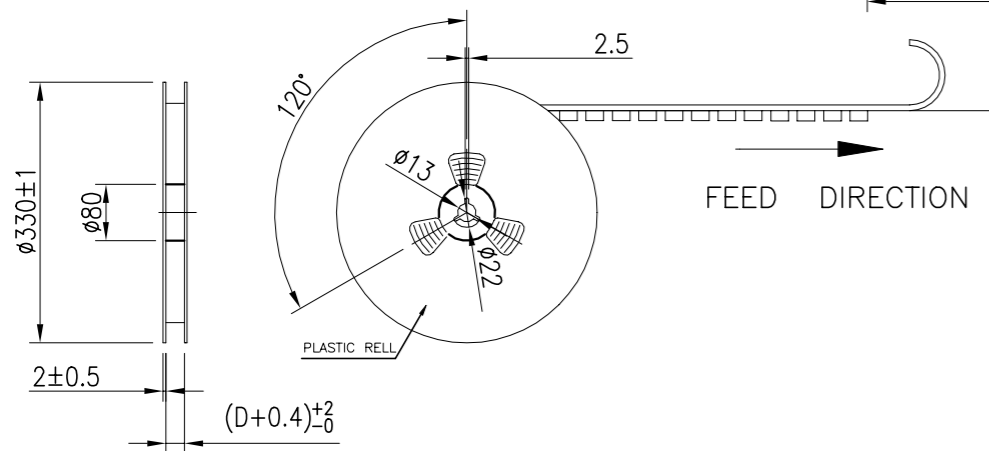
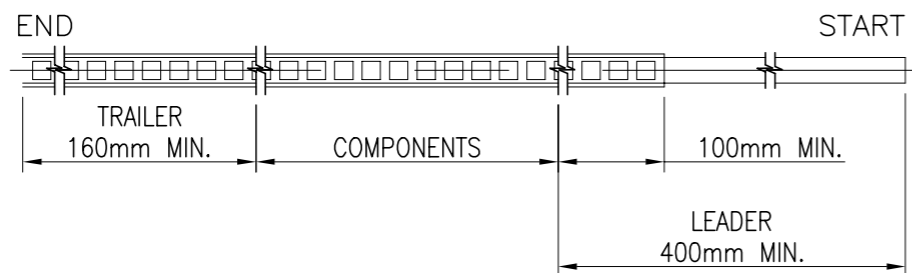
SCALE	SHEET	REV
N/A	3 of 5	A

DIMENSIONS:	TOLERANCES UNLESS OTHERWISE SPECIFIED:
mm	
0 PLC	± 0.5
1 PLC	± 0.35
2 PLC	± 0.25
3 PLC	± 0.15
4 PLC	± -
ANGLES	± 2'

MATERIAL SEE NOTE

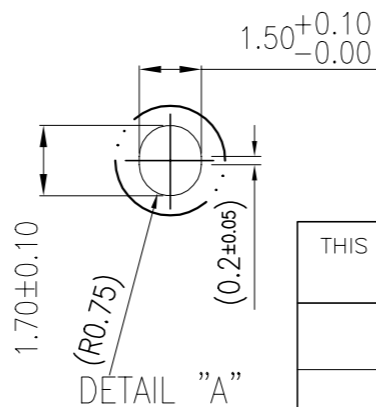
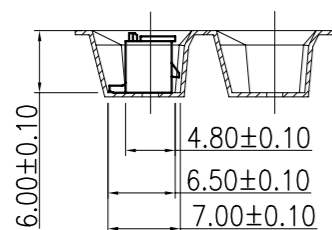
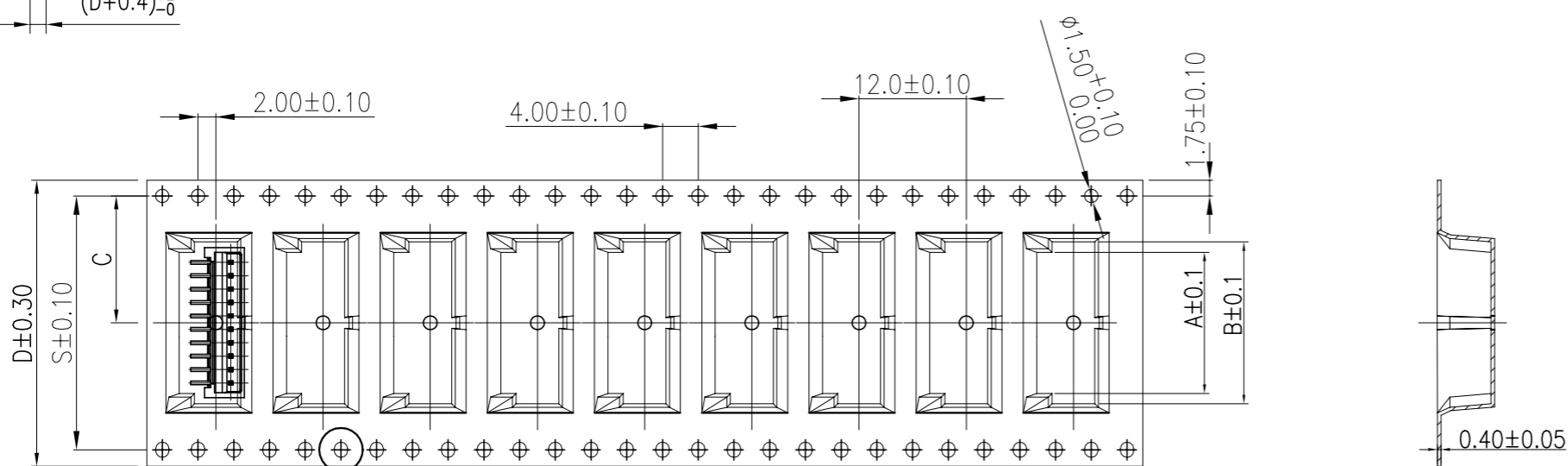
FINISH -

P	LTR	DESCRIPTION	DATE	DWN	APVD
-	-	SEE SHEET 1	-	-	-



POS. NO	DIM A	DIM B	DIM C	DIM D	DIM S
10	14.3	16.6	14.2	32	28.4
11	15.8	18.1			
12	17.3	19.6			
13	18.8	21.1	20.2	44	40.4
14	20.3	22.6			
15	21.8	24.1			
16	23.3	25.6			
17	24.8	27.1			
18	26.3	28.6			
19	27.8	30.1			
20	29.3	31.6			

- NOTES:
- 10 SPROCKET HOLE PITCH CUMULATIVE TOLERANCE:  $\pm 0.20$ mm
  - CARRIER CAMBER NOT TO EXCEED 1mm IN 100mm.
  - ALL DIMENSIONS MEET EIA-481-C REQUIREMENTS.
  - MATERIAL: BLACK ANTI-STATIC POLYSTYRENE.
  - THICKNESS:  $0.40 \pm 0.05$  mm.
  - PACKING LENGTH PER 13" REEL : 12.4 METERS.
  - COMPONENT LOAD PER 13" REEL : 950 PCS.
  - PRODUCTS PLACEMENT MUST BE IN THE SAME DIRECTION.

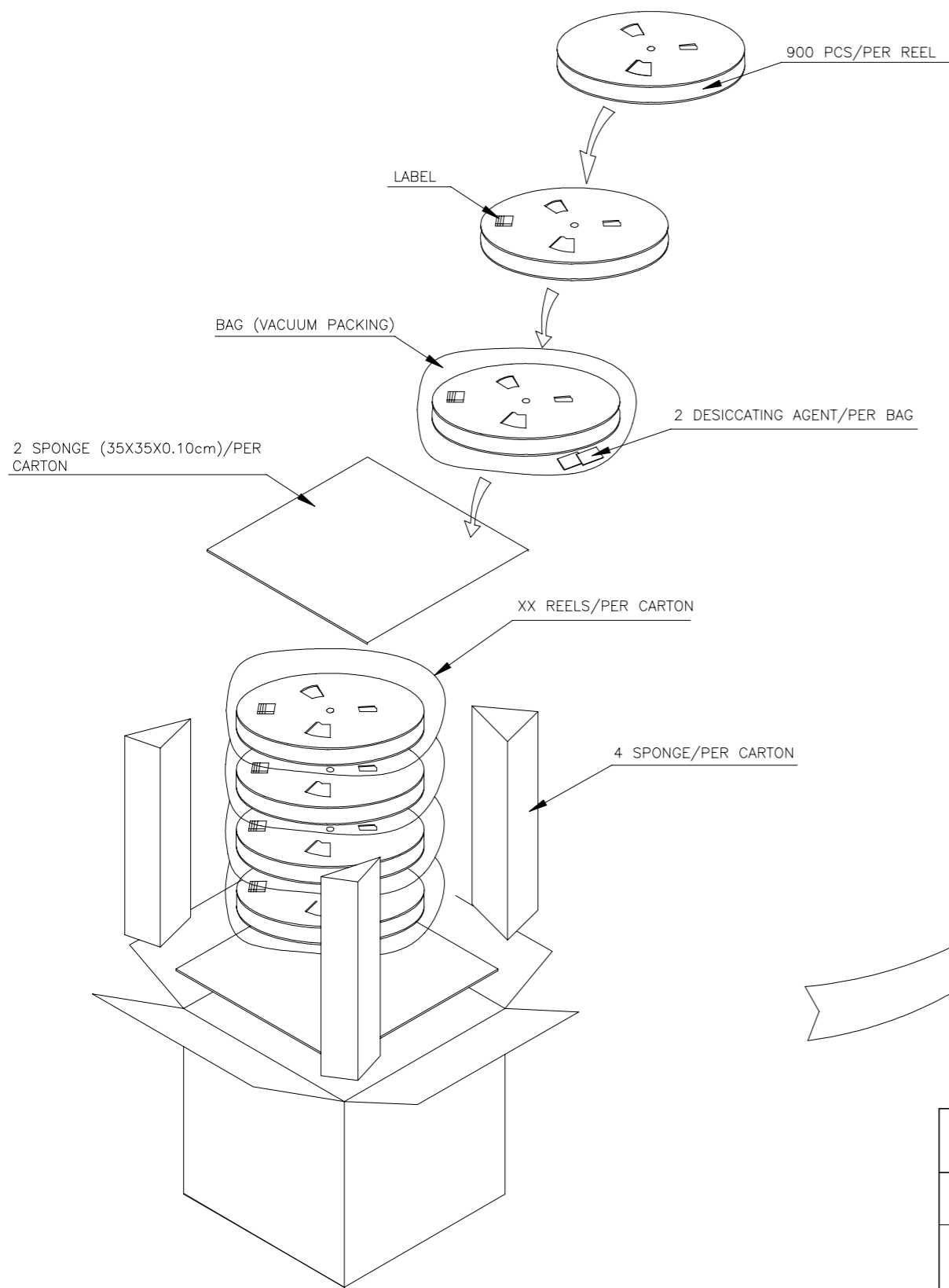


THIS DRAWING IS A CONTROLLED DOCUMENT.		DWN Jone Ji 23SEP2020	TE Connectivity Ltd.													
DIMENSIONS: mm		CHK Wenke He			NAME											
TOLERANCES UNLESS OTHERWISE SPECIFIED:		APVD Wenke He	1.5P WTB VERTICAL TYPE WITH LATCH													
<table border="1"> <tr><td>0 PLC</td><td><math>\pm 0.5</math></td></tr> <tr><td>1 PLC</td><td><math>\pm 0.35</math></td></tr> <tr><td>2 PLC</td><td><math>\pm 0.25</math></td></tr> <tr><td>3 PLC</td><td><math>\pm 0.15</math></td></tr> <tr><td>4 PLC</td><td><math>\pm</math></td></tr> <tr><td>ANGLES</td><td><math>\pm 2'</math></td></tr> </table>		0 PLC	$\pm 0.5$	1 PLC	$\pm 0.35$	2 PLC	$\pm 0.25$	3 PLC	$\pm 0.15$	4 PLC	$\pm$	ANGLES	$\pm 2'$	PRODUCT SPEC	-	
0 PLC	$\pm 0.5$															
1 PLC	$\pm 0.35$															
2 PLC	$\pm 0.25$															
3 PLC	$\pm 0.15$															
4 PLC	$\pm$															
ANGLES	$\pm 2'$															
MATERIAL SEE NOTE		FINISH -	APPLICATION SPEC	-												
		WEIGHT	SIZE A3	CAGE CODE 00779	DRAWING NO C=2380320											
		CUSTOMER DRAWING	RESTRICTED TO	-												
		SCALE N/A	SHEET 4 of 5	REV A												


REVISIONS

P	LTR	DESCRIPTION	DATE	DWN	APVD
-	-	SEE SHEET 1	-	-	-

POS.NO.	PARTS PER PRIMARY CARTON	PARTS PER REEL	TOTAL REELS PER PRIMARY CARTON
2	15200(PCS)	950(PCS)	16
3	15200(PCS)	950(PCS)	16
4	15200(PCS)	950(PCS)	16
5	10450(PCS)	950(PCS)	11
6	10450(PCS)	950(PCS)	11
7	10450(PCS)	950(PCS)	11
8	10450(PCS)	950(PCS)	11
9	10450(PCS)	950(PCS)	11
10	8550(PCS)	950(PCS)	9
11	8550(PCS)	950(PCS)	9
12	8550(PCS)	950(PCS)	9
13	6650(PCS)	950(PCS)	7
14	6650(PCS)	950(PCS)	7
15	6650(PCS)	950(PCS)	7



NOTE:  
 1. STAPLES SHOULD ONLY BE USED TO SET UP CARTON  
 ALL CARTONS CLOSURES MUST BE DONE WITH TAPE.  
 2. FILL PACKAGING REEL WITH THE QUANTITIES AS INDICATED  
 IN THE CHART.

THIS DRAWING IS A CONTROLLED DOCUMENT.		DWN	23SEP2020			TE Connectivity Ltd.			
		CHK	Wenke He			NAME			
DIMENSIONS: mm		TOLERANCES UNLESS OTHERWISE SPECIFIED:		APVD		1.5P WTB VERTICAL TYPE WITH LATCH			
		0 PLC ± 0.5 1 PLC ± 0.35 2 PLC ± 0.25 3 PLC ± 0.15 4 PLC ± - ANGLES ± 2'		Wenke He		PRODUCT SPEC			
				APPLICATION SPEC		-			
MATERIAL		FINISH		WEIGHT		SIZE	CAGE CODE	DRAWING NO	RESTRICTED TO
SEE NOTE		-		-		A3	00779	C=2380320	-
CUSTOMER DRAWING						SCALE	N/A	SHEET	5 of 5
								REV	A

# Mouser Electronics

Authorized Distributor

Click to View Pricing, Inventory, Delivery & Lifecycle Information:

[TE Connectivity:](#)

[3-2380320-0](#)