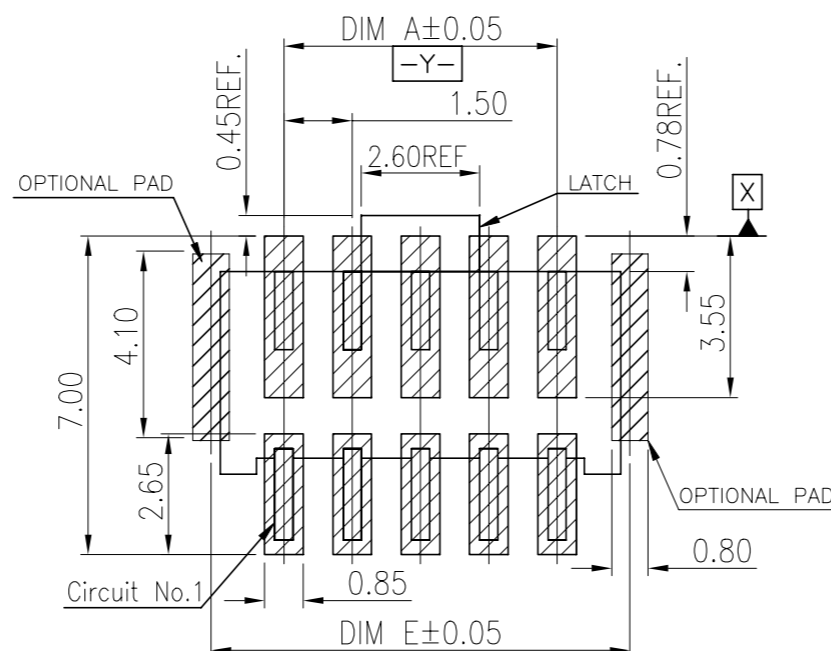
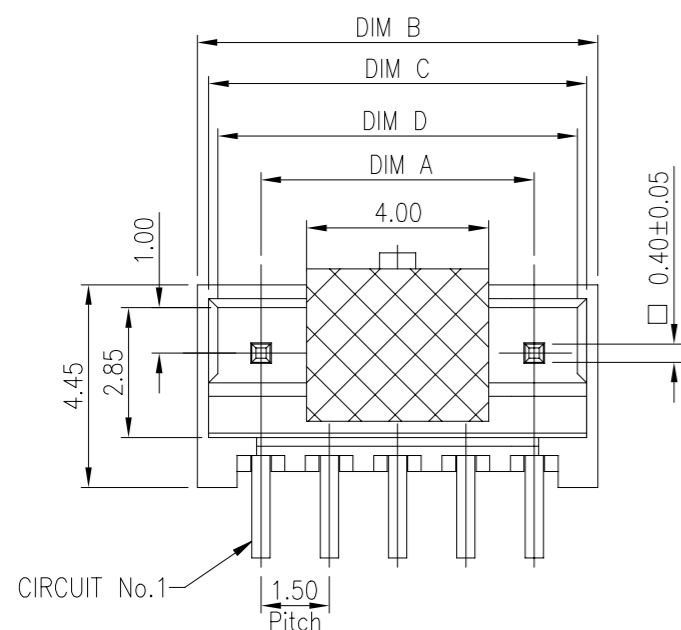


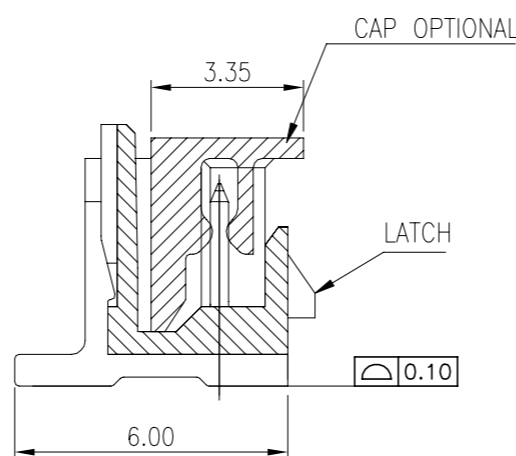
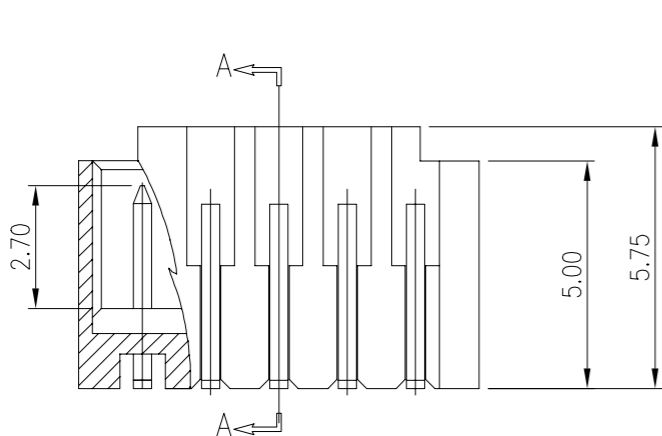
P	LTR	DESCRIPTION	DATE	DWN	APVD
A		ECR-21-108912	08MAY2021	T.Q	N.S



RECOMMENDED PCB LAYOUT FOR *-2380320-*
TOLERANCE ± 0.05

NOTES:

- MATERIAL:
 - HOUSING: HALOGEN FREE PLASTIC, UL94V-0.
 - CONTACT: COPPER ALLOY
- FINISH:
 - TYPE A: CONTACT: 50U" MIN. NICKEL UNDER PLATING OVERALL
100U" MIN. MATTE TIN PLATING ON CONTACT AREA AND SOLDER AREA.
 - TYPE B: CONTACT: 50U" MIN. NICKEL UNDER PLATING OVERALL
GOLD FLASH PLATING ON CONTACT AREA AND SOLDER AREA.
- REFLOW SOLDER CAPABLE TO 260°C, PER PRODUCTION SPEC.



SEC. A-A

COLOR	DIM.E	DIM.D	DIM.C	DIM.B	DIM.A	POS.NO.	PLATING SPEC.	
							TYPE B	TYPE A
BLACK	4.7	3.4	3.8	4.3	1.5	2	6-2380320-2	4-2380320-2
	6.2	4.9	5.3	5.8	3.0	3	6-2380320-3	4-2380320-3
	7.7	6.4	6.8	7.3	4.5	4	6-2380320-4	4-2380320-4
	9.2	7.9	8.3	8.8	6.0	5	6-2380320-5	4-2380320-5
	10.7	9.4	9.8	10.3	7.5	6	6-2380320-6	4-2380320-6
	12.2	10.9	11.3	11.8	9.0	7	6-2380320-7	4-2380320-7
	13.7	12.4	12.8	13.3	10.5	8	6-2380320-8	4-2380320-8
	15.2	13.9	14.3	14.8	12.0	9	6-2380320-9	4-2380320-9
	16.7	15.4	15.8	16.3	13.5	10	7-2380320-0	5-2380320-0
	18.2	16.9	17.3	17.8	15.0	11	7-2380320-1	5-2380320-1
	19.7	18.4	18.8	19.3	16.5	12	7-2380320-2	5-2380320-2
	21.2	19.9	20.3	20.8	18.0	13	7-2380320-3	5-2380320-3
	22.7	21.4	21.8	22.3	19.5	14	7-2380320-4	5-2380320-4
	24.2	22.9	23.3	23.8	21.0	15	7-2380320-5	5-2380320-5
	NATURAL	4.7	3.4	3.8	4.3	1.5	2	2-2380320-2
6.2		4.9	5.3	5.8	3.0	3	2-2380320-3	2380320-3
7.7		6.4	6.8	7.3	4.5	4	2-2380320-4	2380320-4
9.2		7.9	8.3	8.8	6.0	5	2-2380320-5	2380320-5
10.7		9.4	9.8	10.3	7.5	6	2-2380320-6	2380320-6
12.2		10.9	11.3	11.8	9.0	7	2-2380320-7	2380320-7
13.7		12.4	12.8	13.3	10.5	8	2-2380320-8	2380320-8
15.2		13.9	14.3	14.8	12.0	9	2-2380320-9	2380320-9
16.7		15.4	15.8	16.3	13.5	10	3-2380320-0	1-2380320-0
18.2		16.9	17.3	17.8	15.0	11	3-2380320-1	1-2380320-1
19.7		18.4	18.8	19.3	16.5	12	3-2380320-2	1-2380320-2
21.2		19.9	20.3	20.8	18.0	13	3-2380320-3	1-2380320-3
22.7		21.4	21.8	22.3	19.5	14	3-2380320-4	1-2380320-4
24.2		22.9	23.3	23.8	21.0	15	3-2380320-5	1-2380320-5

THIS DRAWING IS A CONTROLLED DOCUMENT.

DWN	Jone Ji	23SEP2020
CHK	Wenke He	-
APVD	Wenke He	-
PRODUCT SPEC	-	-
APPLICATION SPEC	-	-
WEIGHT	-	-
CUSTOMER DRAWING	SCALE N/A SHEET 1 of 5 REV A	



1.5P WTB VERTICAL TYPE
WITH LATCH

SIZE	CAGE CODE	DRAWING NO	RESTRICTED TO
A3	00779	C=2380320	-

4

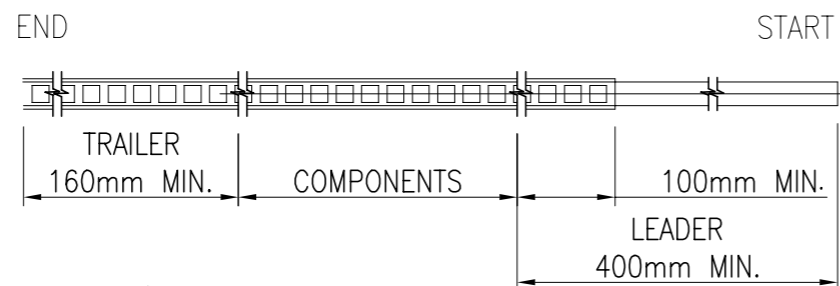
3

2

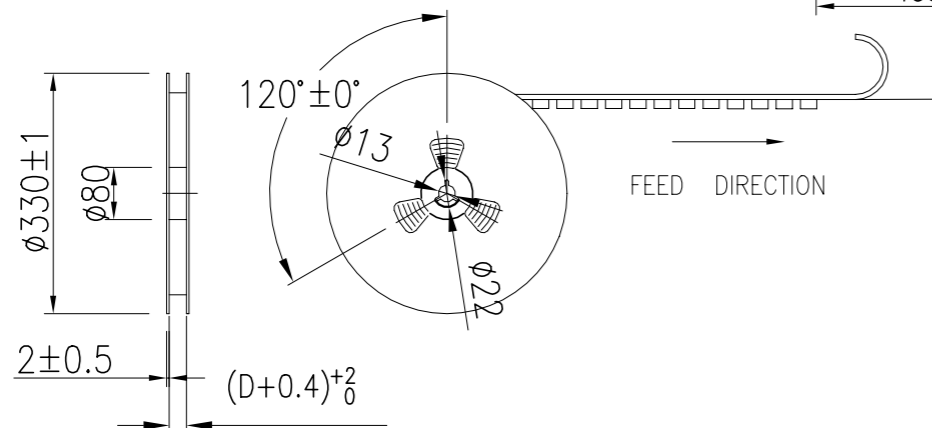
1

REVISIONS

P	LTR	DESCRIPTION	DATE	DWN	APVD
-	-	SEE SHEET 1	-	-	-

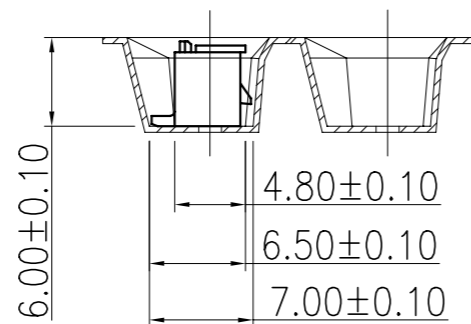
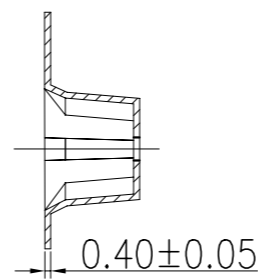
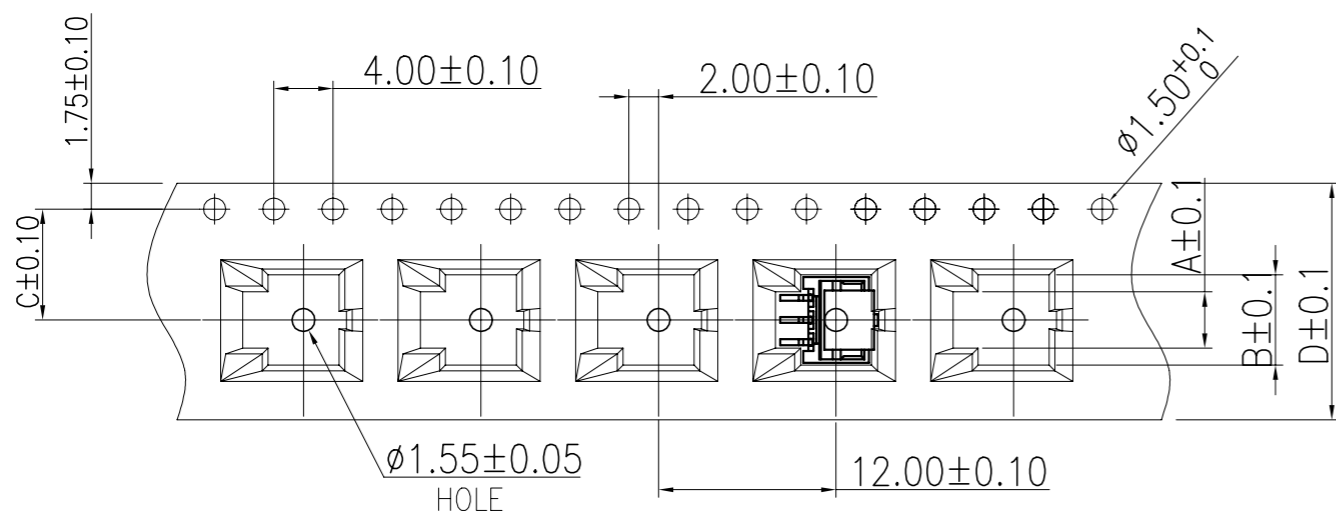


POS. NO	DIM A	DIM B	DIM C	DIM D
2	2.30	4.60	7.50	16.00
3	3.80	6.10		
4	5.30	7.60		



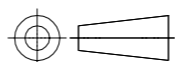
NOTES:

1. 10 SPROCKET HOLE PITCH CUMULATIVE TOLERANCE: ±0.20mm
2. CARRIER CAMBER NOT TO EXCEED 1mm IN 100mm.
3. ALL DIMENSIONS MEET EIA-481-C REQUIREMENTS.
4. MATERIAL: BLACK ANTI-STATIC POLYSTYRENE.
5. THICKNESS: 0.40±0.05 mm.
6. PACKING LENGTH PER 13" REEL : 12.4 METERS.
7. COMPONENT LOAD PER 13" REEL : 950 PCS.
8. PRODUCTS PLACEMENT MUST BE IN THE SAME DIRECTION.



THIS DRAWING IS A CONTROLLED DOCUMENT.

DIMENSIONS: mm



MATERIAL: SEE NOTE

TOLERANCES UNLESS OTHERWISE SPECIFIED:

0 PLC	± 0.5
1 PLC	± 0.35
2 PLC	± 0.25
3 PLC	± 0.15
4 PLC	± -
ANGLES	± 2'

FINISH: -

DWN: Jone Ji 23SEP2020

CHK: Wenke He

APVD: Wenke He

PRODUCT SPEC: -

APPLICATION SPEC: -

WEIGHT: -

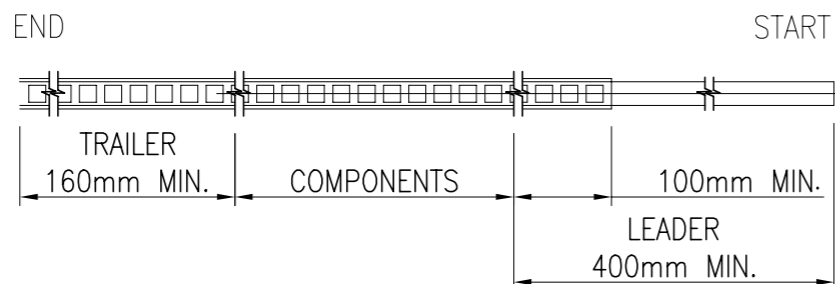
CUSTOMER DRAWING



1.5P WTB VERTICAL TYPE WITH LATCH

SIZE	CAGE CODE	DRAWING NO	RESTRICTED TO
A3	00779	C=2380320	-

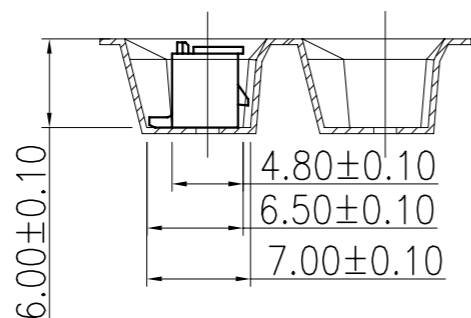
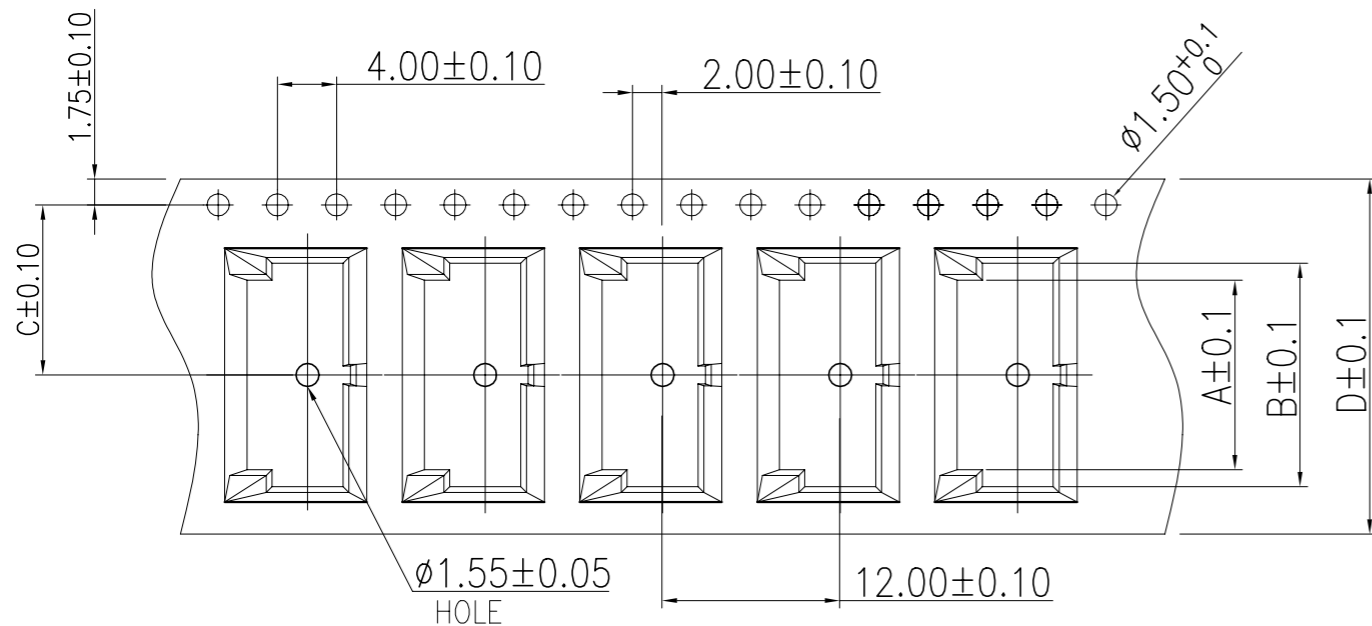
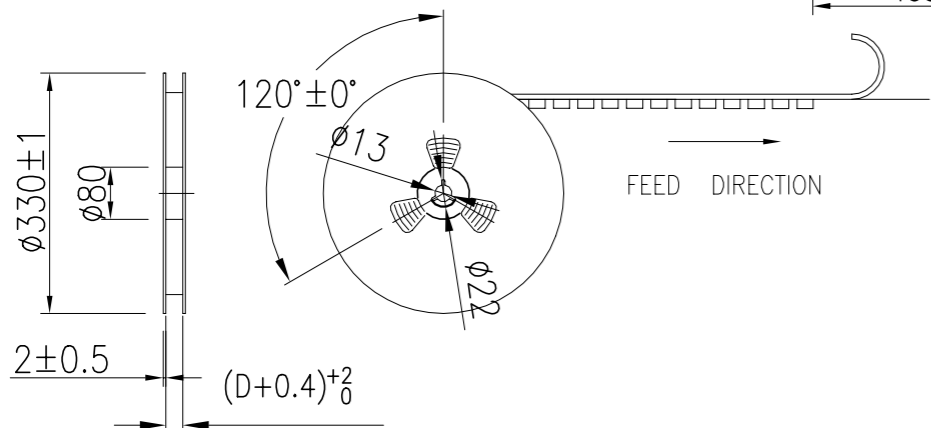
P	LTR	DESCRIPTION	DATE	DWN	APVD
-	-	SEE SHEET 1	-	-	-



POS. NO	DIM A	DIM B	DIM C	DIM D
5	6.80	9.10	11.5	24
6	8.30	10.60		
7	9.80	12.10		
8	11.30	13.60		
9	12.80	15.10		

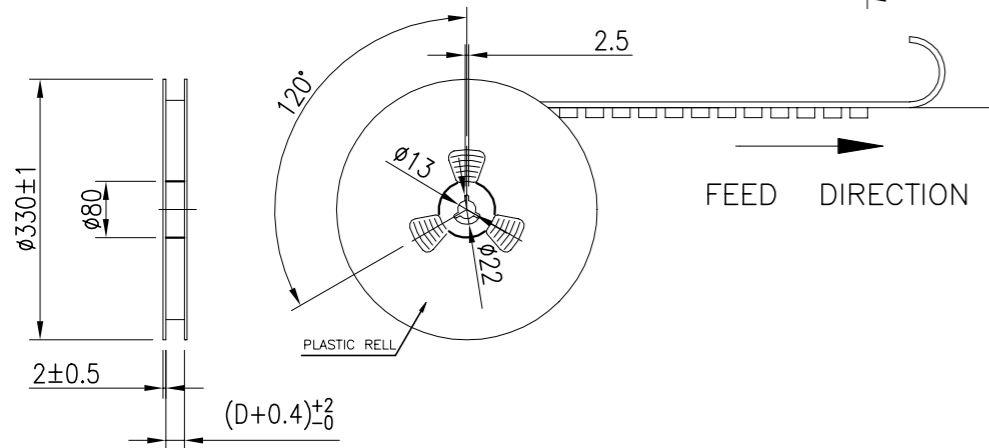
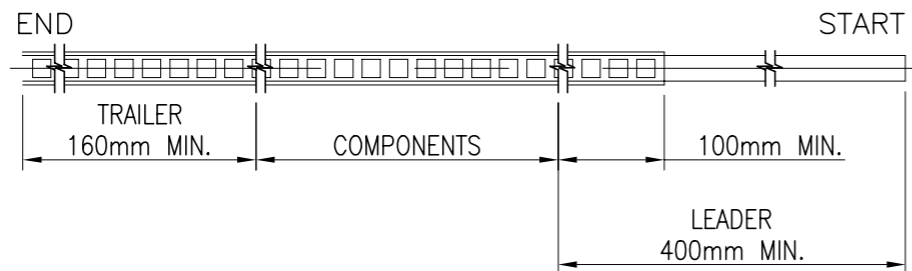
NOTES:

- 10 SPROCKET HOLE PITCH CUMULATIVE TOLERANCE: ±0.20mm
- CARRIER CAMBER NOT TO EXCEED 1mm IN 100mm.
- ALL DIMENSIONS MEET EIA-481-C REQUIREMENTS.
- MATERIAL: BLACK ANTI-STATIC POLYSTYRENE.
- THICKNESS: 0.40±0.05 mm.
- PACKING LENGTH PER 13" REEL : 12.4 METERS.
- COMPONENT LOAD PER 13" REEL : 950 PCS.
- PRODUCTS PLACEMENT MUST BE IN THE SAME DIRECTION.



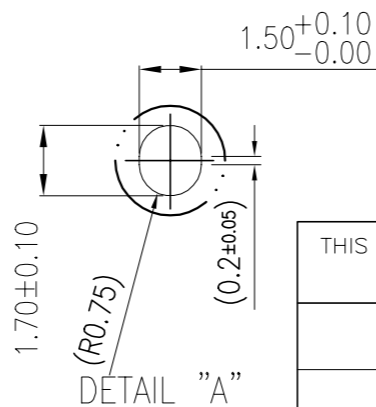
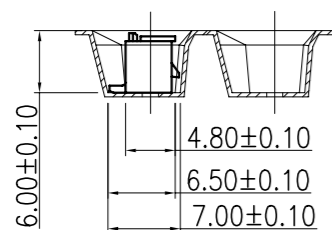
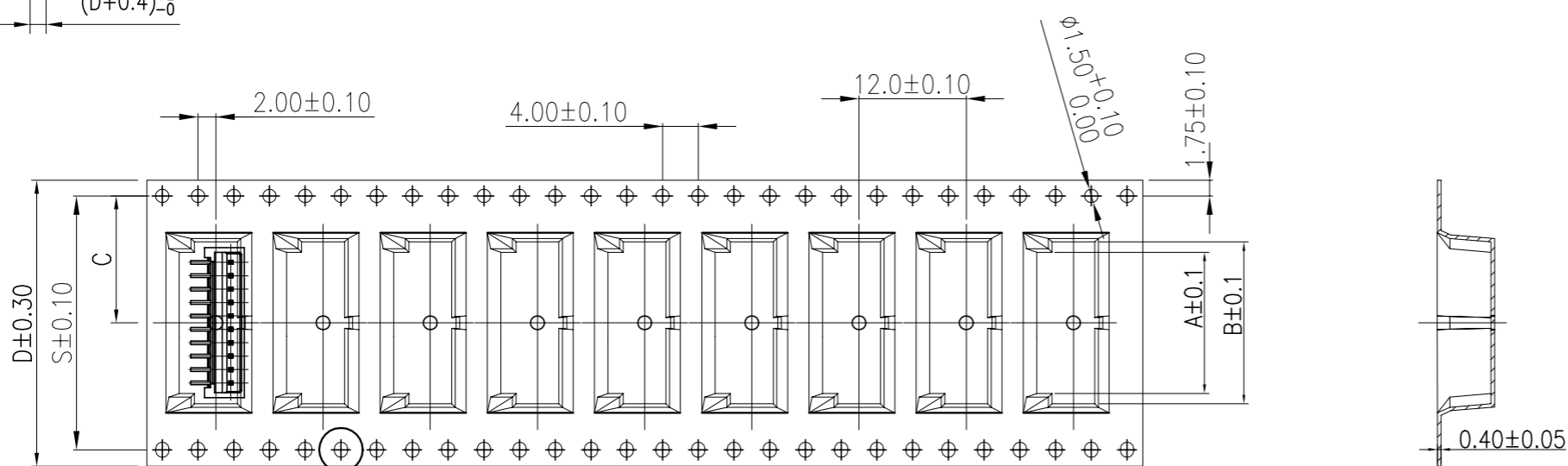
THIS DRAWING IS A CONTROLLED DOCUMENT.		DWN Jone Ji 23SEP2020	TE Connectivity Ltd.														
DIMENSIONS: mm		CHK Wenke He				NAME											
TOLERANCES UNLESS OTHERWISE SPECIFIED:		APVD Wenke He	PRODUCT SPEC														
<table border="0"> <tr><td>0 PLC</td><td>± 0.5</td></tr> <tr><td>1 PLC</td><td>± 0.35</td></tr> <tr><td>2 PLC</td><td>± 0.25</td></tr> <tr><td>3 PLC</td><td>± 0.15</td></tr> <tr><td>4 PLC</td><td>± -</td></tr> <tr><td>ANGLES</td><td>± 2'</td></tr> </table>		0 PLC	± 0.5	1 PLC	± 0.35	2 PLC	± 0.25	3 PLC	± 0.15	4 PLC	± -	ANGLES	± 2'	APPLICATION SPEC		RESTRICTED TO	
0 PLC	± 0.5																
1 PLC	± 0.35																
2 PLC	± 0.25																
3 PLC	± 0.15																
4 PLC	± -																
ANGLES	± 2'																
MATERIAL SEE NOTE		FINISH -	WEIGHT	SIZE A3	CAGE CODE 00779												
CUSTOMER DRAWING			DRAWING NO C=2380320	SCALE N/A	SHEET 3 of 5												
			REV A														


P	LTR	DESCRIPTION	DATE	DWN	APVD
-	-	SEE SHEET 1	-	-	-



POS. NO	DIM A	DIM B	DIM C	DIM D	DIM S
10	14.3	16.6	14.2	32	28.4
11	15.8	18.1			
12	17.3	19.6			
13	18.8	21.1	20.2	44	40.4
14	20.3	22.6			
15	21.8	24.1			
16	23.3	25.6			
17	24.8	27.1			
18	26.3	28.6			
19	27.8	30.1			
20	29.3	31.6			

- NOTES:
- 10 SPROCKET HOLE PITCH CUMULATIVE TOLERANCE: ± 0.20 mm
 - CARRIER CAMBER NOT TO EXCEED 1mm IN 100mm.
 - ALL DIMENSIONS MEET EIA-481-C REQUIREMENTS.
 - MATERIAL: BLACK ANTI-STATIC POLYSTYRENE.
 - THICKNESS: 0.40 ± 0.05 mm.
 - PACKING LENGTH PER 13" REEL : 12.4 METERS.
 - COMPONENT LOAD PER 13" REEL : 950 PCS.
 - PRODUCTS PLACEMENT MUST BE IN THE SAME DIRECTION.

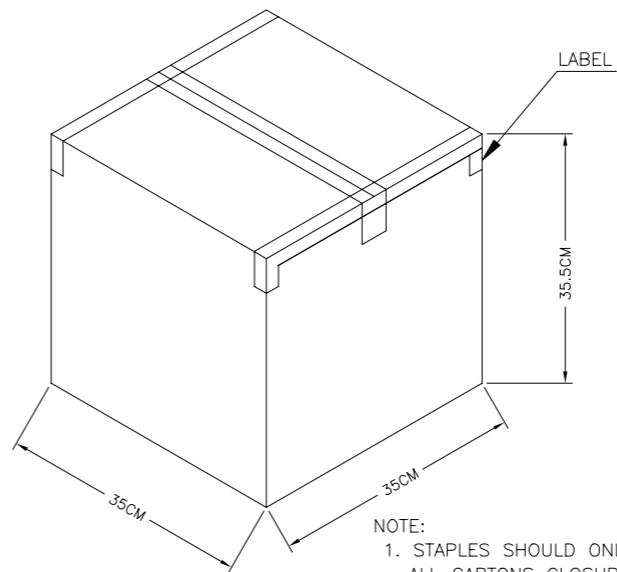
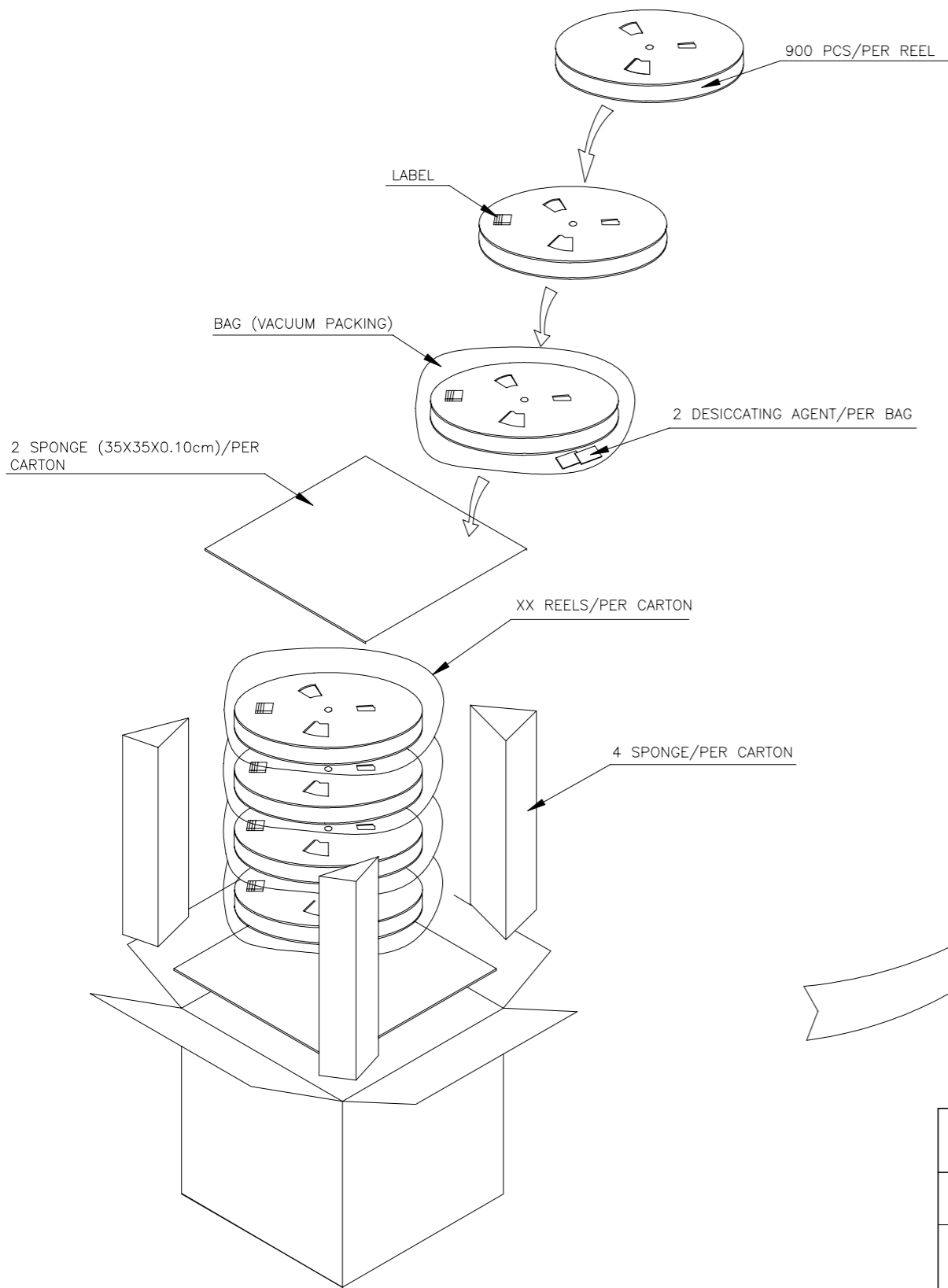


THIS DRAWING IS A CONTROLLED DOCUMENT.		DWN Jone Ji 23SEP2020	 TE Connectivity Ltd.											
DIMENSIONS: mm		CHK Wenke He												
TOLERANCES UNLESS OTHERWISE SPECIFIED:		APVD Wenke He	NAME 1.5P WTB VERTICAL TYPE WITH LATCH											
<table border="1"> <tr><td>0 PLC</td><td>± 0.5</td></tr> <tr><td>1 PLC</td><td>± 0.35</td></tr> <tr><td>2 PLC</td><td>± 0.25</td></tr> <tr><td>3 PLC</td><td>± 0.15</td></tr> <tr><td>4 PLC</td><td>\pm</td></tr> <tr><td>ANGLES</td><td>$\pm 2'$</td></tr> </table>		0 PLC			± 0.5	1 PLC	± 0.35	2 PLC	± 0.25	3 PLC	± 0.15	4 PLC	\pm	ANGLES
0 PLC	± 0.5													
1 PLC	± 0.35													
2 PLC	± 0.25													
3 PLC	± 0.15													
4 PLC	\pm													
ANGLES	$\pm 2'$													
MATERIAL SEE NOTE		FINISH -	APPLICATION SPEC -											
		WEIGHT	SIZE A3	CAGE CODE 00779										
		CUSTOMER DRAWING	DRAWING NO C=2380320	RESTRICTED TO -										
		SCALE N/A	SHEET 4 of 5	REV A										

REVISIONS

P	LTR	DESCRIPTION	DATE	DWN	APVD
-	-	SEE SHEET 1	-	-	-

POS.NO.	PARTS PER PRIMARY CARTON	PARTS PER REEL	TOTAL REELS PER PRIMARY CARTON
2	15200(PCS)	950(PCS)	16
3	15200(PCS)	950(PCS)	16
4	15200(PCS)	950(PCS)	16
5	10450(PCS)	950(PCS)	11
6	10450(PCS)	950(PCS)	11
7	10450(PCS)	950(PCS)	11
8	10450(PCS)	950(PCS)	11
9	10450(PCS)	950(PCS)	11
10	8550(PCS)	950(PCS)	9
11	8550(PCS)	950(PCS)	9
12	8550(PCS)	950(PCS)	9
13	6650(PCS)	950(PCS)	7
14	6650(PCS)	950(PCS)	7
15	6650(PCS)	950(PCS)	7



NOTE:
 1. STAPLES SHOULD ONLY BE USED TO SET UP CARTON
 ALL CARTONS CLOSURES MUST BE DONE WITH TAPE.
 2. FILL PACKAGING REEL WITH THE QUANTITIES AS INDICATED
 IN THE CHART.

THIS DRAWING IS A CONTROLLED DOCUMENT.		DWN Jone Ji 23SEP2020	TE Connectivity Ltd.	
DIMENSIONS: mm		CHK Wenke He		
		APVD Wenke He	NAME	
TOLERANCES UNLESS OTHERWISE SPECIFIED:		PRODUCT SPEC	1.5P WTB VERTICAL TYPE WITH LATCH	
0 PLC ± 0.5		APPLICATION SPEC	SIZE	RESTRICTED TO
1 PLC ± 0.35		WEIGHT	CAGE CODE	DRAWING NO C=2380320
2 PLC ± 0.25			A3	
3 PLC ± 0.15				
4 PLC ± -				
ANGLES ± 2'				
MATERIAL SEE NOTE				
FINISH -		CUSTOMER DRAWING		SCALE N/A
		SHEET 5 of 5		REV A

Mouser Electronics

Authorized Distributor

Click to View Pricing, Inventory, Delivery & Lifecycle Information:

[TE Connectivity:](#)

[3-2380320-3](#)