

4

3

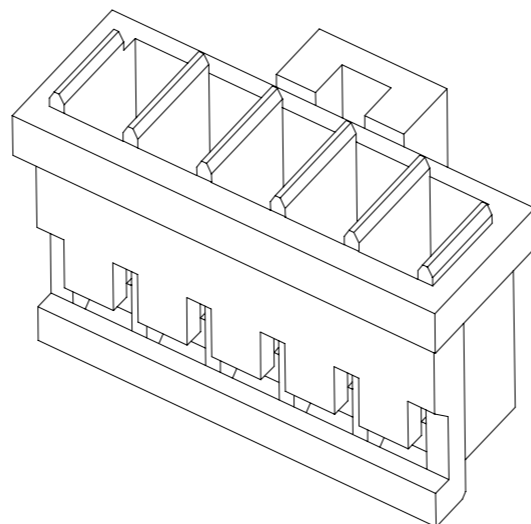
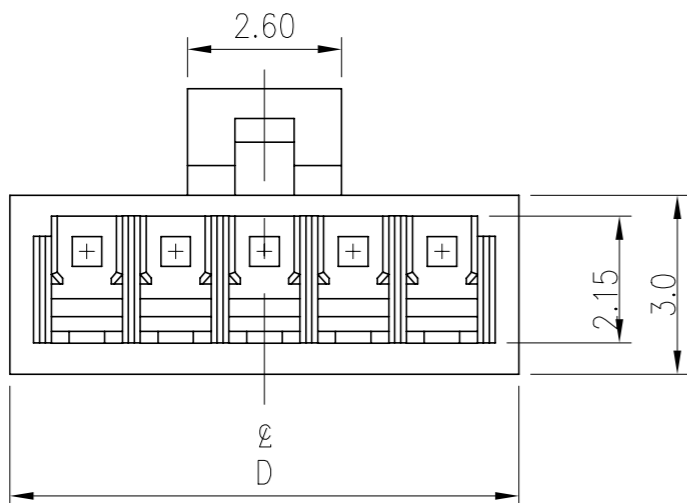
2

1

© - TE Connectivity. All Rights Reserved.

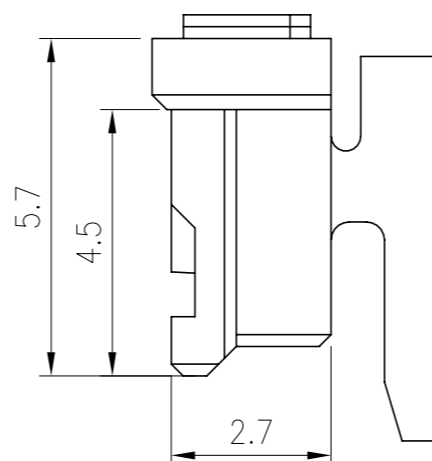
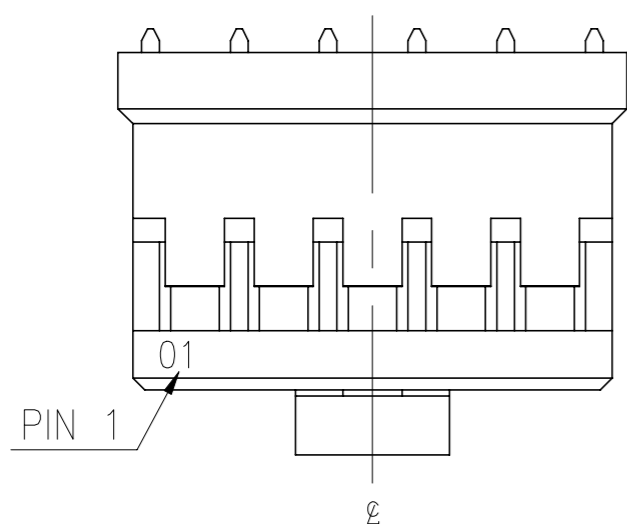
REVISIONS

P	LTR	DESCRIPTION	DATE	DWN	APVD
	A	ECR-21-108912	08MAY2021	T.Q	N.S

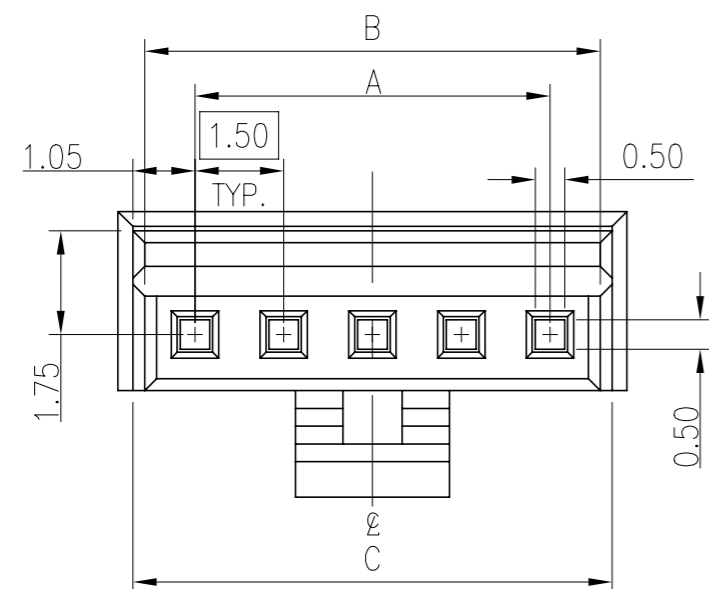


NOTES:

- MATERIAL:
HOUSING: HALOGEN FREE PLASTIC, UL94V-0; COLOR: NATURAL
- PACKING: 1000PCS/BAG.



4.10	3.60	3.20	1.50	2	2380312-2
5.60	5.10	4.70	3.00	3	2380312-3
7.10	6.60	6.20	4.50	4	2380312-4
8.60	8.10	7.70	6.00	5	2380312-5
10.10	9.60	9.20	7.50	6	2380312-6
11.60	11.10	10.70	9.00	7	2380312-7
13.10	12.60	12.20	10.50	8	2380312-8
14.60	14.10	13.70	12.00	9	2380312-9
16.10	15.60	15.20	13.50	10	1-2380312-0
17.60	17.10	16.70	15.00	11	1-2380312-1
19.10	18.60	18.20	16.50	12	1-2380312-2
20.60	20.10	19.70	18.00	13	1-2380312-3
22.10	21.60	21.20	19.50	14	1-2380312-4
23.60	23.10	22.70	21.00	15	1-2380312-5
DIM.D	DIM.C	DIM,B	DIM.A	POS.NO	P/N



THIS DRAWING IS A CONTROLLED DOCUMENT.		DWN	23SEP2020		STE TE Connectivity Ltd.
		CHK	Wenke He		
DIMENSIONS: mm		TOLERANCES UNLESS OTHERWISE SPECIFIED:		NAME	
		0 PLC ± 0.5		1.5P WT B HOUSING WITH LATCH	
		1 PLC ± 0.35		-	
		2 PLC ± 0.25		APPLICATION SPEC	
		3 PLC ± 0.15		-	
		4 PLC ± -		SIZE	
		ANGLES ± 2'		CAGE CODE	
MATERIAL		FINISH		DRAWING NO	
SEE NOTE		-		A3 00779 C=2380312	
CUSTOMER DRAWING				RESTRICTED TO	
				WEIGHT	
				-	
				SCALE	
				N/A	
				SHEET	
				1 OF 2	
				REV	
				A	

REVISIONS

P	LTR	DESCRIPTION	DATE	DWN	APVD
-	-	SEE SHEET 1	-	-	-

NOTES:

1. STAPLES SHOULD ONLY BE USED TO SET UP CARTON.
ALL CARTON CLOSERS MUST BE DONE WITH TAPE.
2. FALL PACKAGING BAG WITH THE QUANTITIES AS INDICATED IN THE CHART.

1.AFTER QC,PLACE THE PRODUCT INTO THE BAG AS DRAWING SHOWN

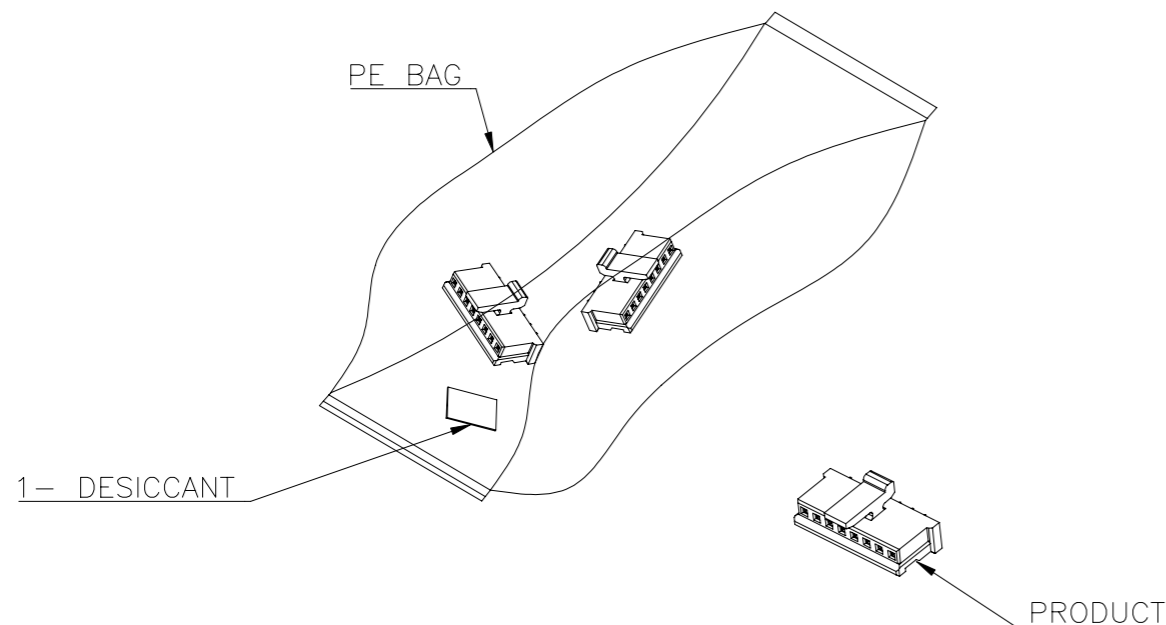
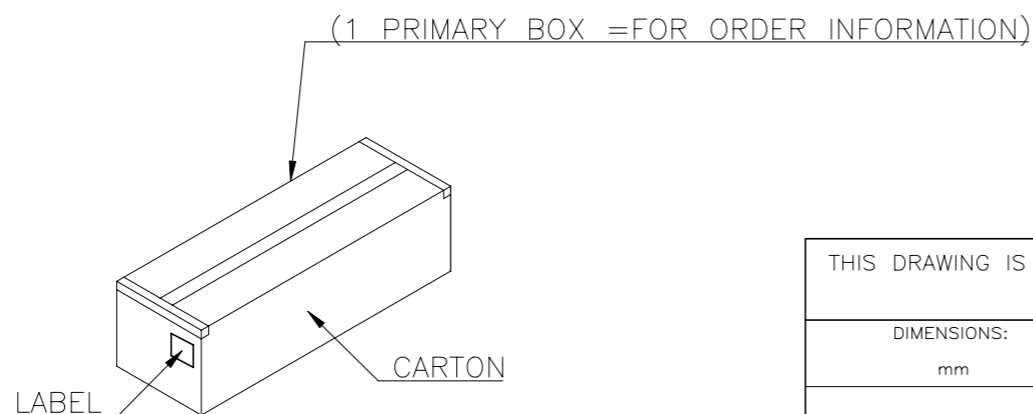


TABLE:

POS.NO.	(S.P.Q)	PARTS PER BOX	PER BAG
2	25000	25	1000
3	25000	25	1000
4	25000	25	1000
5	25000	25	1000
6	25000	25	1000
7	25000	25	1000
8	25000	25	1000
9	25000	25	1000
10	25000	25	1000
11	20000	20	1000
12	20000	20	1000
13	20000	20	1000
14	20000	20	1000
15	20000	20	1000

2.PLACE THE BAGS INTO THE BOX



THIS DRAWING IS A CONTROLLED DOCUMENT.		DWN Jone Ji 23SEP2020	TE Connectivity Ltd.	
DIMENSIONS: mm		CHK Wenke He		
		APVD Wenke He	1.5P WT B HOUSING WITH LATCH	
TOLERANCES UNLESS OTHERWISE SPECIFIED:		PRODUCT SPEC	-	
0 PLC ± 0.5 1 PLC ± 0.35 2 PLC ± 0.25 3 PLC ± 0.15 4 PLC ± - ± 2' ANGLES		APPLICATION SPEC	-	
MATERIAL SEE NOTE		FINISH -	WEIGHT -	RESTRICTED TO -
		SIZE A3	CAGE CODE 00779	DRAWING NO C=2380312
		CUSTOMER DRAWING		SCALE N/A
		SHEET 2 OF 2		REV A

Mouser Electronics

Authorized Distributor

Click to View Pricing, Inventory, Delivery & Lifecycle Information:

[TE Connectivity:](#)

[2380312-2](#)