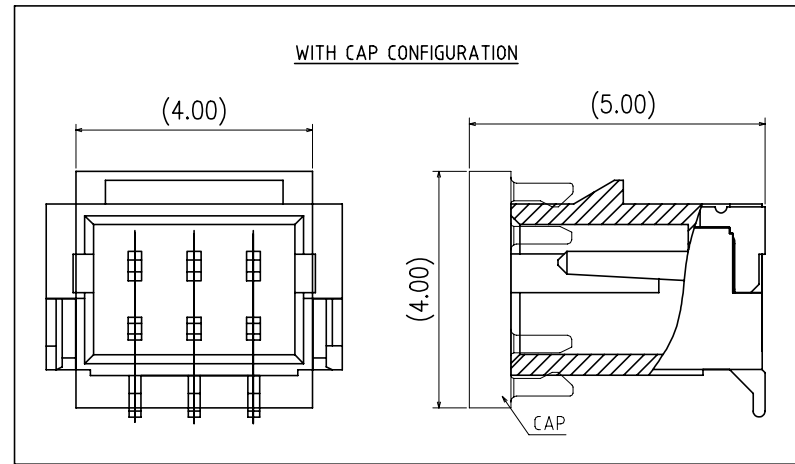
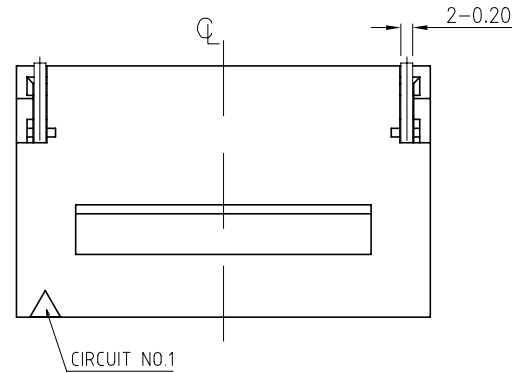
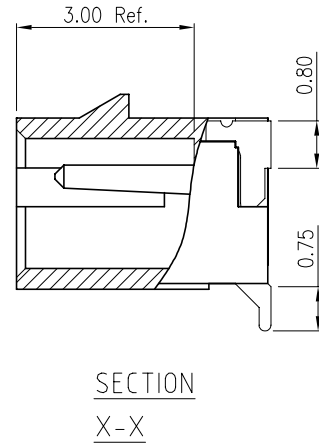
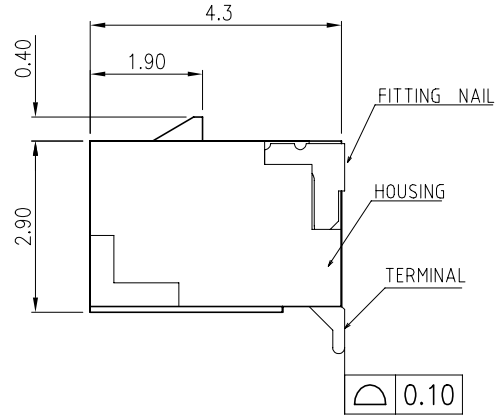
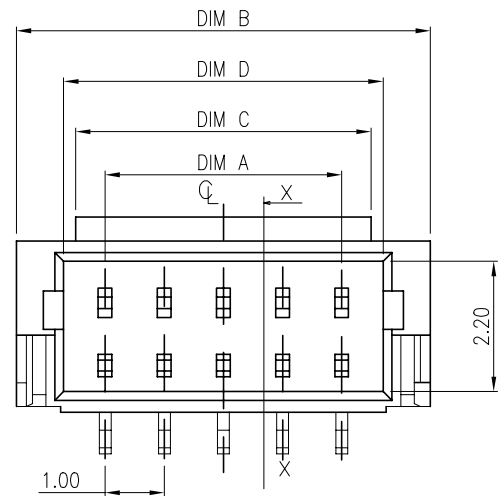


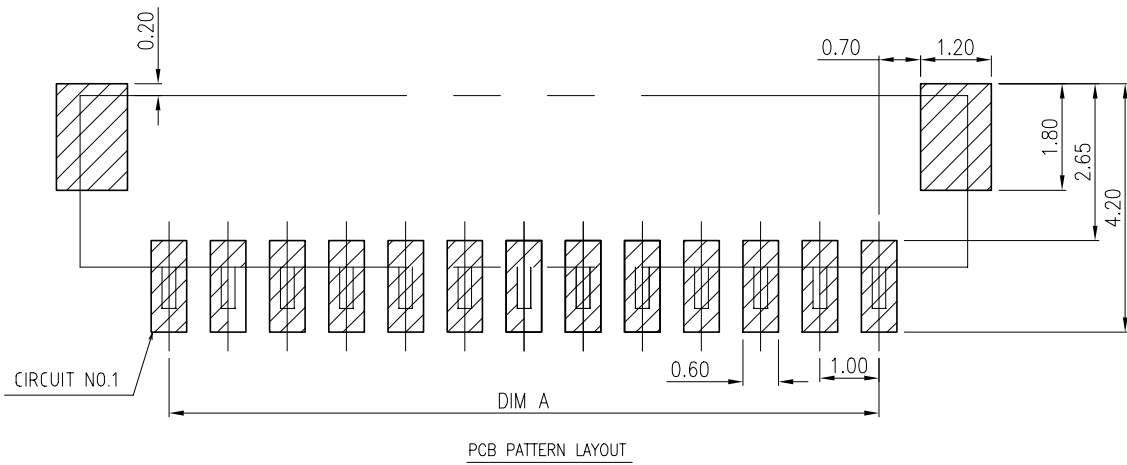
| P | LTR | DESCRIPTION   | DATE      | DWN | APVD |
|---|-----|---------------|-----------|-----|------|
|   | A1  | ECR-21-102045 | 13APR2021 | T.Q | N.S  |



1. MATERIAL:
  - 1.1 HOUSING: HALOGEN FREE PLASTIC, HIGH TEMP, BLACK ,UL94V-0.
  - 1.2 CONTACT: COPPER ALLOY
  - 1.3 FITTING NAIL: COPPER ALLOY
- 2.1 TERMINAL:
  - TYPE A: 50u" MIN. NICKEL UNDERPLATING OVERALL.  
50u" MIN. MATT TIN PLATING ON CONTACT AREA AND SOLDER AREA.
  - TYPE B: 50u" MIN. NICKEL UNDERPLATING OVERALL.  
GOLD FLASH PLATING ON CONTACT AREA.  
GOLD FLASH PLATING ON SOLDER AREA.
  - TYPE C: 50u" MIN. NICKEL UNDERPLATING OVERALL.  
30u" GOLD PLATING ON CONTACT AREA.  
GOLD FLASH PLATING ON SOLDER AREA
- 2.2 FITTING NAIL: 50u" MIN. NICKEL UNDERPLATING OVERALL.  
1:GOLD FLASH PLATING ON SOLDER AREA.
3. REFLOW SOLDER CAPABLE TO 260°C PER ACES SPEC.
4. PACKAGE STYLE: TAPE AND REEL WITH MYLAR.



|               |        |        |        |          |                      |             |             |
|---------------|--------|--------|--------|----------|----------------------|-------------|-------------|
| 15.4          | 15.0   | 17.0   | 14.0   | 15       | 5-2367197-5          | 3-2367197-5 | 1-2367197-5 |
| 14.4          | 14.0   | 16.0   | 13.0   | 14       | 5-2367197-4          | 3-2367197-4 | 1-2367197-4 |
| 13.4          | 13.0   | 15.0   | 12.0   | 13       | 5-2367197-3          | 3-2367197-3 | 1-2367197-3 |
| 12.4          | 12.0   | 14.0   | 11.0   | 12       | 5-2367197-2          | 3-2367197-2 | 1-2367197-2 |
| 11.4          | 11.0   | 13.0   | 10.0   | 11       | 5-2367197-1          | 3-2367197-1 | 1-2367197-1 |
| 10.4          | 10.0   | 12.0   | 9.0    | 10       | 5-2367197-0          | 3-2367197-0 | 1-2367197-0 |
| 9.4           | 9.0    | 11.0   | 8.0    | 9        | 4-2367197-9          | 2-2367197-9 | 2367197-9   |
| 8.4           | 8.0    | 10.0   | 7.0    | 8        | 4-2367197-8          | 2-2367197-8 | 2367197-8   |
| 7.4           | 7.0    | 9.0    | 6.0    | 7        | 4-2367197-7          | 2-2367197-7 | 2367197-7   |
| 6.4           | 6.0    | 8.0    | 5.0    | 6        | 4-2367197-6          | 2-2367197-6 | 2367197-6   |
| 5.4           | 5.0    | 7.0    | 4.0    | 5        | 4-2367197-5          | 2-2367197-5 | 2367197-5   |
| 4.4           | 4.0    | 6.0    | 3.0    | 4        | 4-2367197-4          | 2-2367197-4 | 2367197-4   |
| 3.4           | 3.0    | 5.0    | 2.0    | 3        | 4-2367197-3          | 2-2367197-3 | 2367197-3   |
| DIM .D        | DIM .C | DIM ,B | DIM .A | POS. NO. | TYPE C TYPE B TYPE A |             |             |
| PLATING SPEC. |        |        |        |          |                      |             |             |
| P/N           |        |        |        |          |                      |             |             |



THIS DRAWING IS A CONTROLLED DOCUMENT.

DWN Tommy Qian 18DEC2019  
CHK Wenke He  
APVD Wenke He

TE Connectivity

1.0P WTB BOARD SIDE VERTICAL TYPE WITH LATCH

108-115169  
114-115031

SIZE A3 CAGE CODE 00779 DRAWING NO C=2367197 RESTRICTED TO -

WEIGHT - SCALE N/A SHEET 1 of 2 REV A1

CUSTOMER DRAWING

| DIMENSIONS: | TOLERANCES UNLESS OTHERWISE SPECIFIED: |
|-------------|--|
| mm          |  |
|             | 0 PLC ± 0.5                            |
|             | 1 PLC ± 0.35                           |
|             | 2 PLC ± 0.25                           |
|             | 3 PLC ± 0.15                           |
|             | 4 PLC ± -                              |
|             | ANGLES ± 2'                            |

MATERIAL SEE NOTE FINISH -

4

3

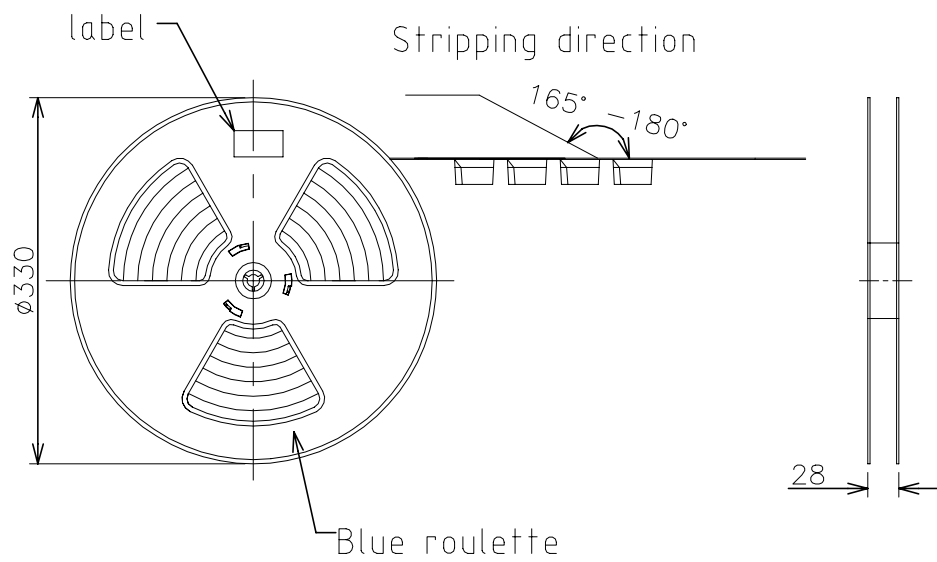
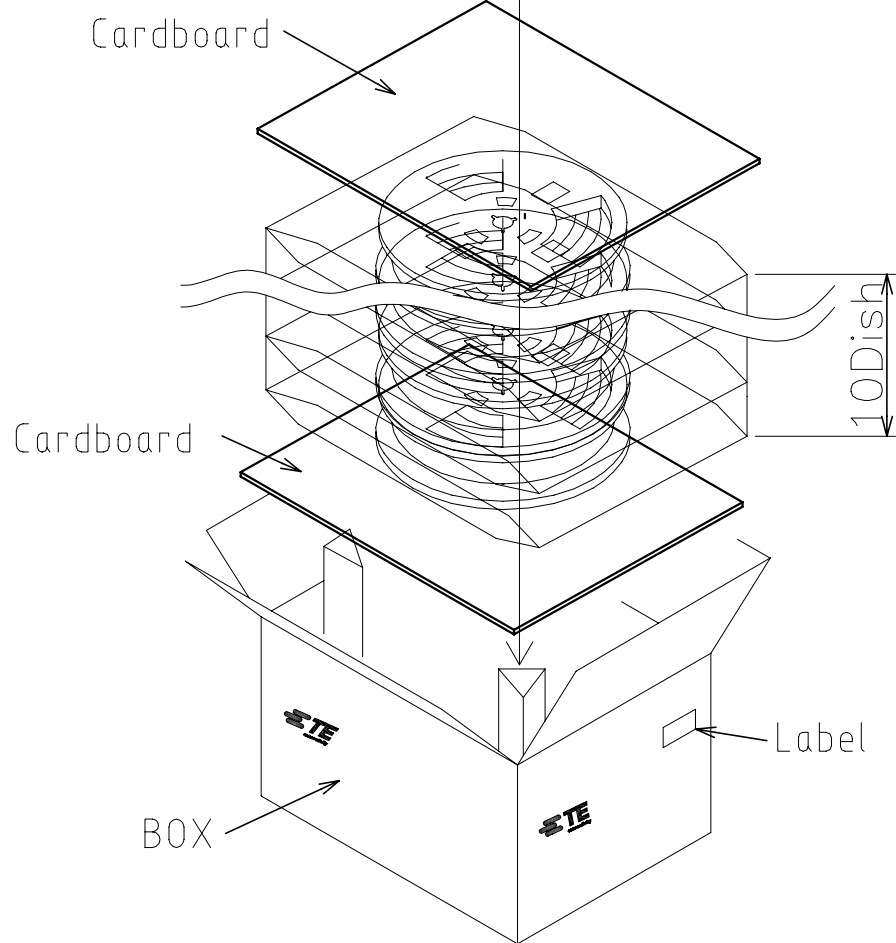
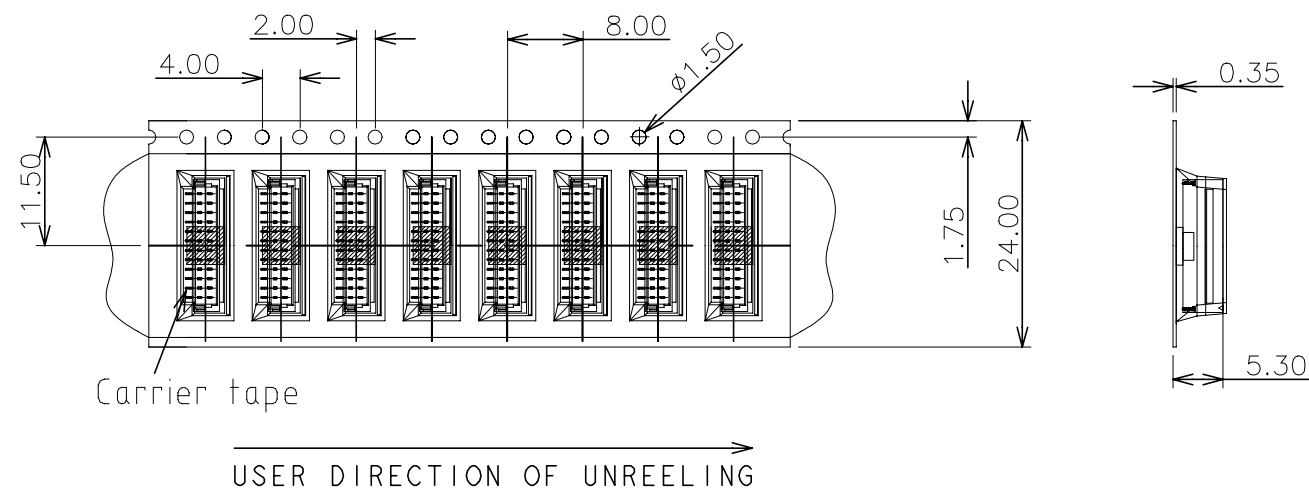
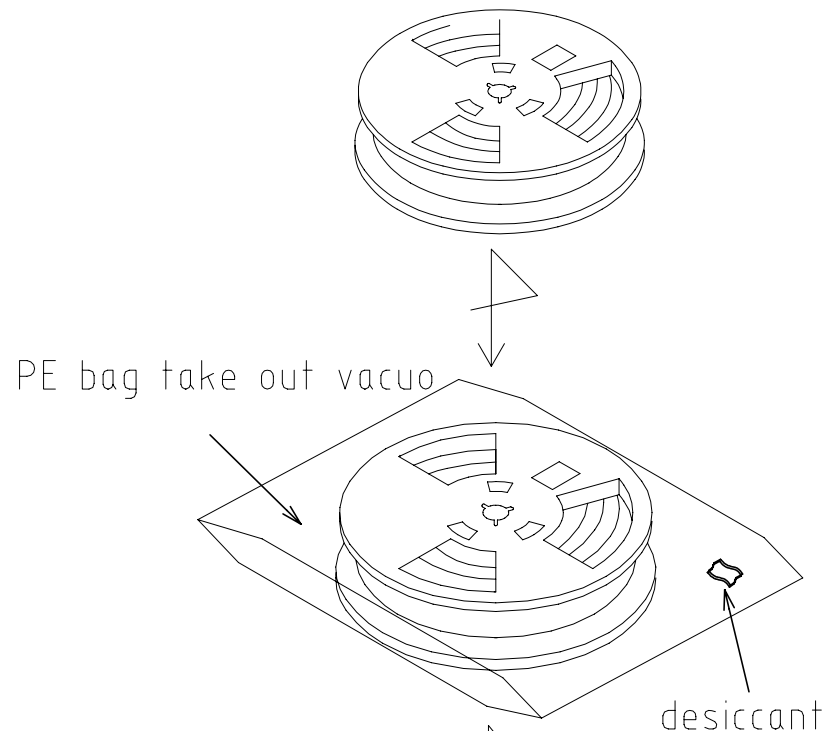
2

1

© - TE Connectivity. All Rights Reserved.

REVISIONS

| P | LTR | DESCRIPTION | DATE | DWN | APVD |
|---|-----|-------------|------|-----|------|
| - | -   | SEE SHEET 1 | -    | -   | -    |



Note:  
 PACKAGE FOR x-2367197-x  
 Quantity: 1400pcs/reel  
 14000pcs/box.

|   |  |                                |                    |                         |              |
|---|--|--------------------------------|--------------------|-------------------------|--------------|
| THIS DRAWING IS A CONTROLLED DOCUMENT.  |  | DWN<br>Tommy Qian<br>18DEC2019 | TE Connectivity    |                         |              |
| DIMENSIONS:<br>mm   |  | CHK<br>Wenke He                |                    |                         |              |
| TOLERANCES UNLESS OTHERWISE SPECIFIED:  |  | APVD<br>Wenke He               | PRODUCT SPEC       |                         |              |
| <ul style="list-style-type: none"> <li>0 PLC ± 0.5</li> <li>1 PLC ± 0.35</li> <li>2 PLC ± 0.25</li> <li>3 PLC ± 0.15</li> <li>4 PLC ±</li> <li>ANGLES ±°</li> </ul> |  | APPLICATION SPEC               |                    | RESTRICTED TO           |              |
| MATERIAL<br>SEE NOTE  |  | FINISH<br>-                    | WEIGHT             |                         | SIZE<br>A3   |
| CUSTOMER DRAWING  |  |                                | CAGE CODE<br>00779 | DRAWING NO<br>C=2367197 | SCALE<br>N/A |
|   |  |                                | SHEET<br>2 of 2    |                         | REV<br>A1    |

# Mouser Electronics

Authorized Distributor

Click to View Pricing, Inventory, Delivery & Lifecycle Information:

[TE Connectivity:](#)

[5-2367197-1](#)