

REVISIONS

P	LTR	DESCRIPTION	DATE	DWN	APVD
	S	PRODUCTION ISSUE	01FEB2019	PNT	MT

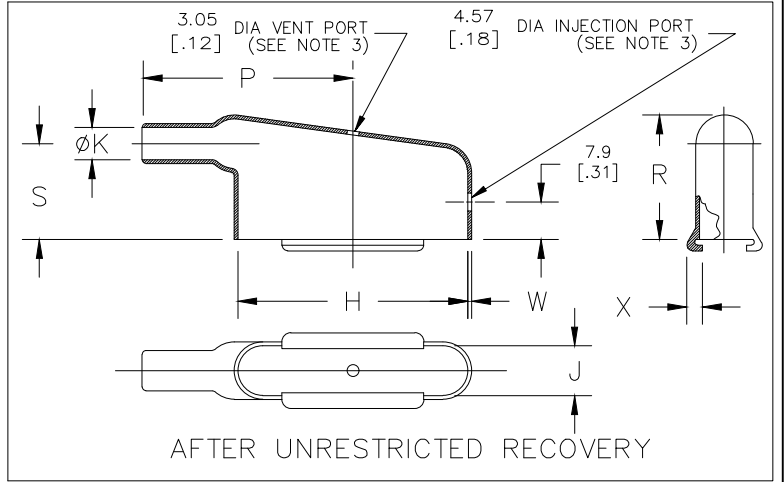
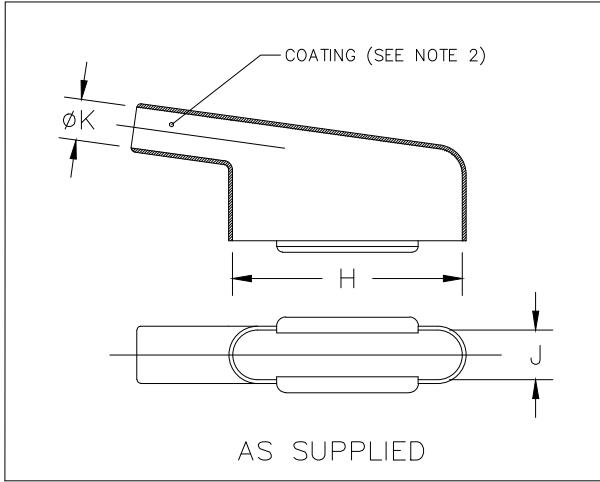


TABLE OF DIMENSIONS

PART NUMBER	H		J		K		P	R	S	W	X	Weight Nom lb/[gms] b	This Boot Fits Cannon-Cinch
	±5% a	±5% b	±5% a	±5% b	Min a	Max b							
**234A011	20.3 [0.80]	20.3 [0.80]	10.7 [0.42]	10.7 [0.42]	7.9 [0.31]	4.1 [0.16]	25.9 [1.02]	21.6 [0.85]	15.2 [0.60]	1.02 [0.04]	3.05 [0.12]	2.18 [0.048]	DE-9
**234A021	28.2 [1.11]	28.2 [1.11]	10.7 [0.42]	10.7 [0.42]	10.2 [0.40]	5.3 [0.21]	30.7 [1.21]	24.6 [0.97]	18.5 [0.73]	1.02 [0.04]	3.05 [0.12]	2.68 [0.059]	DA-15
**234A032	42.2 [1.66]	42.2 [1.66]	10.7 [0.42]	10.7 [0.42]	14.0 [0.55]	7.4 [0.29]	42.9 [1.69]	27.9 [1.10]	22.1 [0.87]	1.02 [0.04]	3.05 [0.12]	4.63 [0.102]	DB-25
234A042	58.7 [2.31]	58.7 [2.31]	10.7 [0.42]	10.7 [0.42]	17.3 [0.68]	8.6 [0.34]	53.3 [2.10]	30.5 [1.20]	25.4 [1.00]	1.02 [0.04]	3.05 [0.12]	5.99 [0.132]	DC-37
234A052	57.9 [2.28]	57.9 [2.28]	13.7 [0.54]	13.7 [0.54]	19.1 [0.75]	10.7 [0.42]	55.9 [2.20]	32.3 [1.27]	25.4 [1.00]	1.02 [0.04]	3.05 [0.12]	6.90 [0.152]	DD-50
234A061	20.3 [0.80]	20.3 [0.80]	10.7 [0.42]	10.7 [0.42]	7.9 [0.31]	3.8 [0.15]	25.9 [1.02]	18.5 [0.73]	12.2 [0.48]	1.02 [0.04]	3.05 [0.12]	2.04 [0.045]	DE-9
234A071	28.2 [1.11]	28.2 [1.11]	10.7 [0.42]	10.7 [0.42]	10.2 [0.40]	5.1 [0.20]	30.7 [1.21]	19.8 [0.78]	13.5 [0.53]	1.02 [0.04]	3.05 [0.12]	2.54 [0.056]	DA-15

THIS DRAWING IS UNPUBLISHED. ALL RIGHTS RESERVED. TE Connectivity Ltd. COPYRIGHT

DIMENSIONS: mm [INCHES]

DWN 01FEB2019 PRAVEEN N T

MATERIAL SEE SHEET 2

FINISH -

TOLERANCES UNLESS OTHERWISE SPECIFIED:

CHK 01FEB2019 N NAGAR

APVD 01FEB2019 M TAYLOR



TE Connectivity Ltd.

- 0 PLC ± -
- 1 PLC ± -
- 2 PLC ± -
- 3 PLC ± -
- 4 PLC ± -
- ANGLES ± -

PRODUCT SPEC

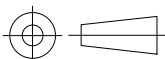
-

APPLICATION SPEC

-

NAME BOOT, RECTANGULAR SUBMINIATURE, 90 DEGREES END ENTRY

SIZE A4 CAGE CODE 00779 DRAWING NO G-234A011-XX-0THRU071-XX-0 RESTRICTED TO -

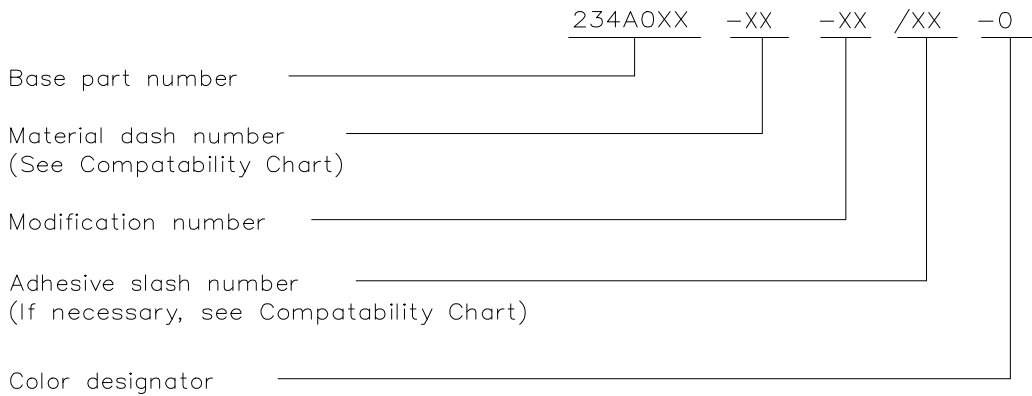


WEIGHT CUSTOMER DRAWING SCALE DNS SHEET 1 OF 2 REV S

REVISIONS					
P	LTR	DESCRIPTION	DATE	DWN	APVD
	-	SEE SHEET 1	-	-	-

COMPATIBILITY CHART				
MATERIAL DASH NO.	MATERIAL DESCRIPTION	RT SPEC	COATING SLASH NO.	COATING SPEC
-3	POLYOLEFIN, SEMI-RIGID	RT-301	/42;/86;/180	S1017;S1048;S1030
-4	POLYOLEFIN, FLEXIBLE	RT-1304	/42;/86;/180	S1017;S1048;S1030
-12	FLUROELASTOMER	RT-1312	N/A	N/A
-25	ELASTOMER, FLUID RESISTANT	RW-2070	/42;/86;/225	S1017;S1048;S1206
-100	POLYOLEFIN, SEMI-FLEXIBLE ZEROHAL	RW-2082	/86;/180	S1048;S1030

ORDERING INFORMATION




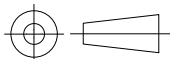
NOTES

- Dimensions appearing in table are as follows:
 - a - As Supplied
 - b - After Unrestricted Recovery
- Coating is optional. As supplied dimensions appearing in table are for uncoated parts. When coating is added, entry diameters will be reduced by 1.5[.06] max.
- Molding ports are optional. When -00 modification number is specified molding ports will be located as shown.
- Weight shown in table of dimensions is based on polyolefin part.
- *5. /180 coating is only available on 234A011, 234A021 and 234A032. Contact factory for additional sizes.

THIS DRAWING IS UNPUBLISHED. ALL RIGHTS RESERVED.

COPYRIGHT - TE Connectivity Ltd.

DIMENSIONS: mm [INCHES]	DWN PRAVEEN N T	01FEB2019	MATERIAL SEE SHEET 2	FINISH -
	CHK N NAGAR	01FEB2019	 TE Connectivity Ltd.	
TOLERANCES UNLESS OTHERWISE SPECIFIED:	APVD M TAYLOR	01FEB2019		
0 PLC ± -	PRODUCT SPEC	NAME BOOT, RECTANGULAR SUBMINIATURE, 90 DEGREES END ENTRY		
1 PLC ± -	APPLICATION SPEC	SIZE A4	CAGE CODE 00779	DRAWING NO G-234A011-XX-0THRU071-XX-0
2 PLC ± -	WEIGHT	RESTRICTED TO -		
3 PLC ± -		CUSTOMER DRAWING		
4 PLC ± -		SCALE DNS	SHEET 2 OF 2	REV S
ANGLES ± -				



Mouser Electronics

Authorized Distributor

Click to View Pricing, Inventory, Delivery & Lifecycle Information:

[TE Connectivity:](#)

[234A052-3/42-0](#)