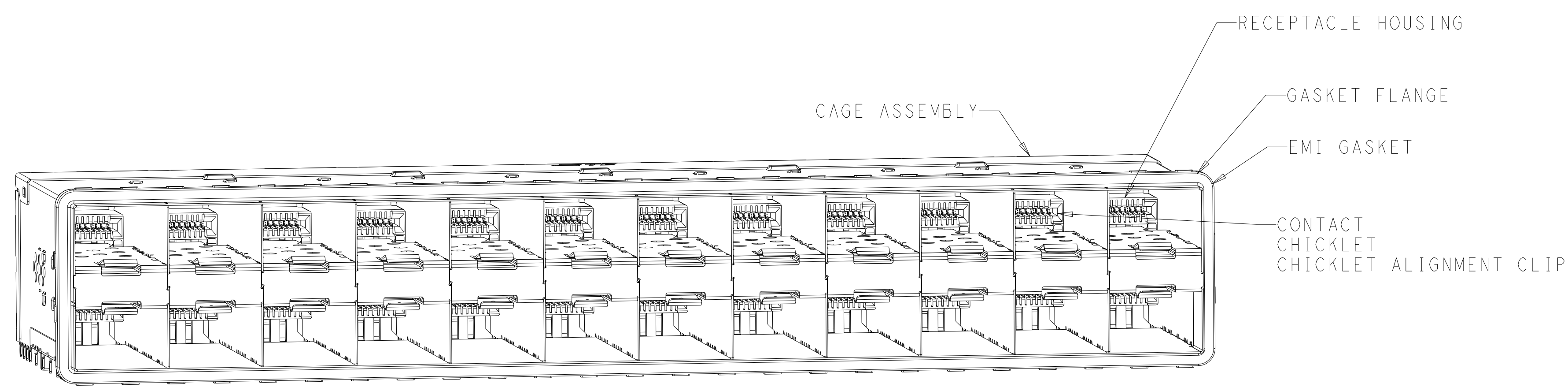
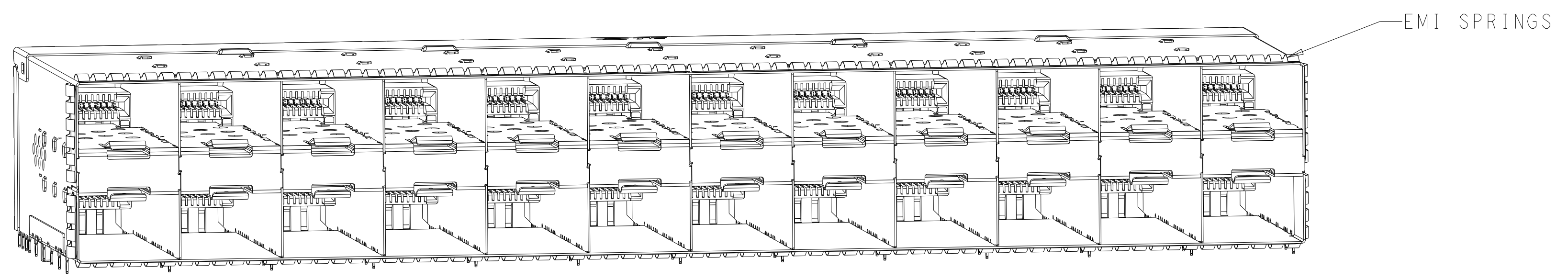


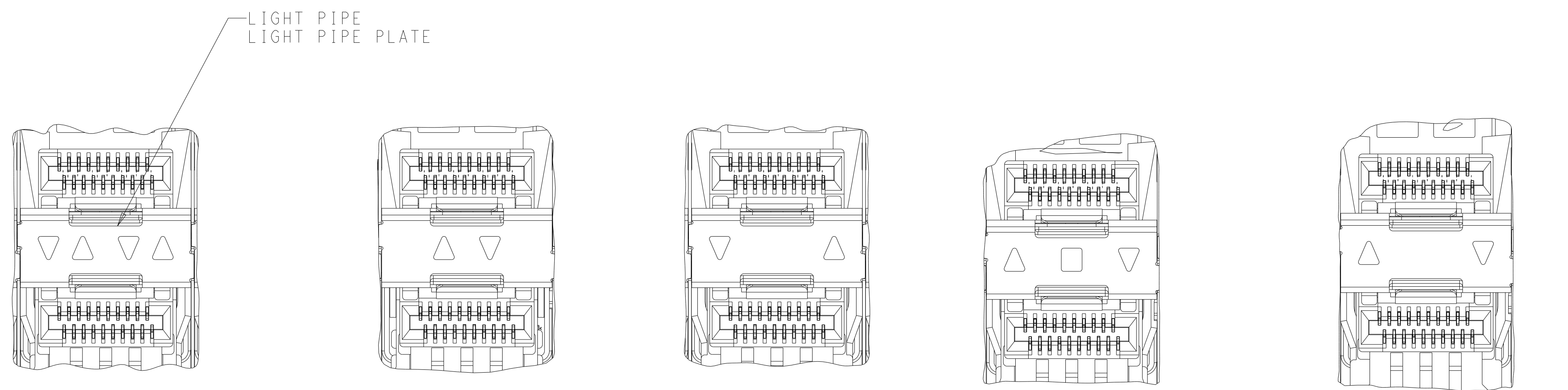
LOC		DIST		REVISIONS			
GP	00	P	LTN	DESCRIPTION	DATE	DWN	APVD
		A		PRODUCTION RELEASE	05JUN2019	JW	SH
		B		REVISED PER ECO-20-014521	13OCT2020	JY	SH
		B1		ADD PN 2-2349201-3,2-2349201-4	23APR2021	SZ	SZ



2349201-1



2349201-5



INNER/OUTER LIGHT PIPE
2349201-2, 2349201-6
SCALE 4:1

INNER LIGHT PIPE
2349201-3, 2349201-7
SCALE 4:1

OUTER LIGHT PIPE
2349201-4, 2349201-8
SCALE 4:1

CENTER/
REVERSE OUTER LIGHT PIPE
1-2349201-7, 1-2349201-9
SCALE 4:1

REVERSE OUTER LIGHT PIPE
1-2349201-8, 2-2349201-0
SCALE 4:1

- MATERIALS:
 CAGE ASSEMBLY - NICKEL-SILVER ALLOY PER ASTM B 122
 RECEPTACLE HOUSING - LCP, BLACK, UL 94V-O RATED
 CHICKLET - LCP, BLACK, UL 94V-O RATED
 CHICKLET ALIGNMENT CLIP - LCP, BLACK, UL94V-O RATED
 CONTACT - COPPER ALLOY
 EMI GASKET - ELASTOMERIC
 GASKET FLANGE - STAINLESS STEEL
 LIGHT PIPE - POLYCARBONATE
 LIGHT PIPE PLATE - STAINLESS STEEL
 EMI SPRINGS - PHOSPHOR BRONZE PER ASTM B103
 INSULATOR TAPE: KAPTON
 - CONTACT FINISH:
 0.76µm MIN GOLD PER ASTM B 844 AT MATING INTERFACE,
 1.25µm MIN MATTE TIN PER ASTM B 545 AT PCB INTERFACE
 ALLOVER 2.54µm MIN NICKEL PER QQ-N-290.
 - PCB MINIMUM THICKNESS = 1.5mm
- ⚠ FOR HOLE SIZE AND PLATINGS,
SEE APPLICATION SPECIFICATION 114-13319
- ⚠ LIGHT PIPE PAD LAYOUT IS FOR 0805 LOW PROFILE
LED PACKAGE WITH A HEIGHT OF 0.8mm
- ⚠ THE ENTIRE AREA OF THE CONNECTOR FOOTPRINT, INDICATED BY THE
DASHED LINE, TO BE CONSIDERED THE KEEPOUT AREA FOR COMPONENTS
AND SIGNAL TRACES, TOP SIDE ONLY, TOP SIDE TRACES ALLOWED
WITHIN CONNECTOR HOLE PATTERN
- ⚠ DIMENSION APPLIES FROM EMI SPRINGS ONLY.

173.5	EMI SPRINGS	NONE, AIRFLOW ENHANCE	2-2349201-4
		INNER, AIRFLOW ENHANCE	2-2349201-3
173.5	EMI SPRINGS	NONE, AIRFLOW ENHANCE WITH INSULATOR TAPE	2-2349201-2
		NONE, AIRFLOW ENHANCE	2-2349201-1
173.5	EMI SPRINGS	REVERSED OUTER	2-2349201-0
		CENTER/REVERSED OUTER	1-2349201-9
176.25	EMI GASKET	REVERSED OUTER	1-2349201-8
		CENTER/REVERSED OUTER	1-2349201-7
173.5	EMI SPRINGS	OUTER	2349201-8
		INNER	2349201-7
		INNER/OUTER	2349201-6
176.25	EMI GASKET	NONE	2349201-5
		OUTER	2349201-4
		INNER	2349201-3
(E)	CAGE TYPE	INNER/OUTER	2349201-2
		NONE	2349201-1
		LIGHT PIPE CONFIGURATION	PART NUMBER

THIS DRAWING IS A CONTROLLED DOCUMENT. DIMENSIONING AND TOLERANCING PER ASME Y14.5M-2009

APVD: J. WANG 27FEB2019
 CHK: S. HAN 27FEB2019
 NAME: S. HAN 27FEB2019

PRODUCT SPEC: 108-2431
 APPLICATION SPEC: 114-13319

SIZE: A1 00779
 CAGE CODE: 2349201
 DRAWING NO: 114-13319

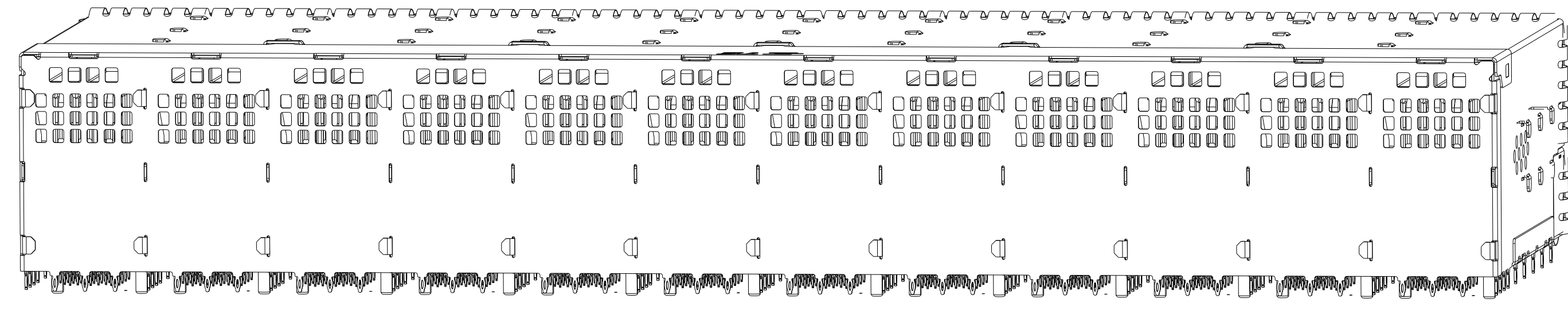
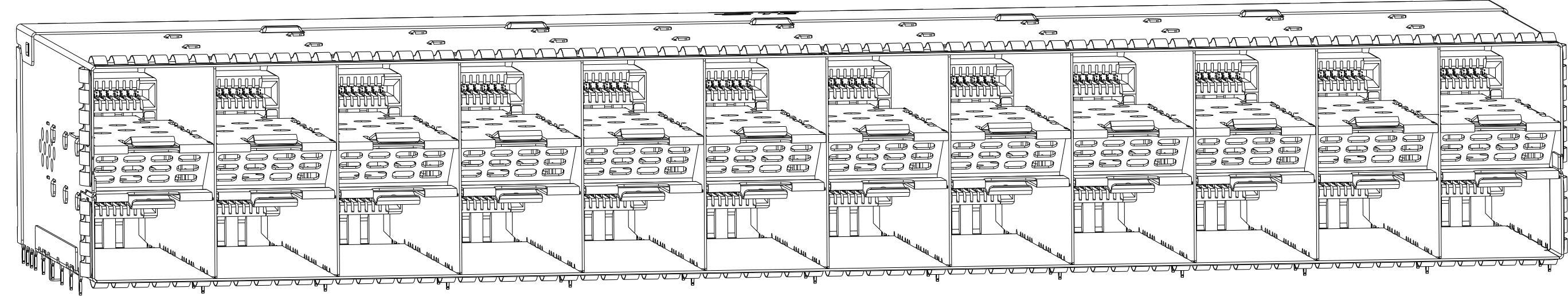
RESTRICTED TO: REV B1

SCALE: 2:1 SHEET 1 OF 8

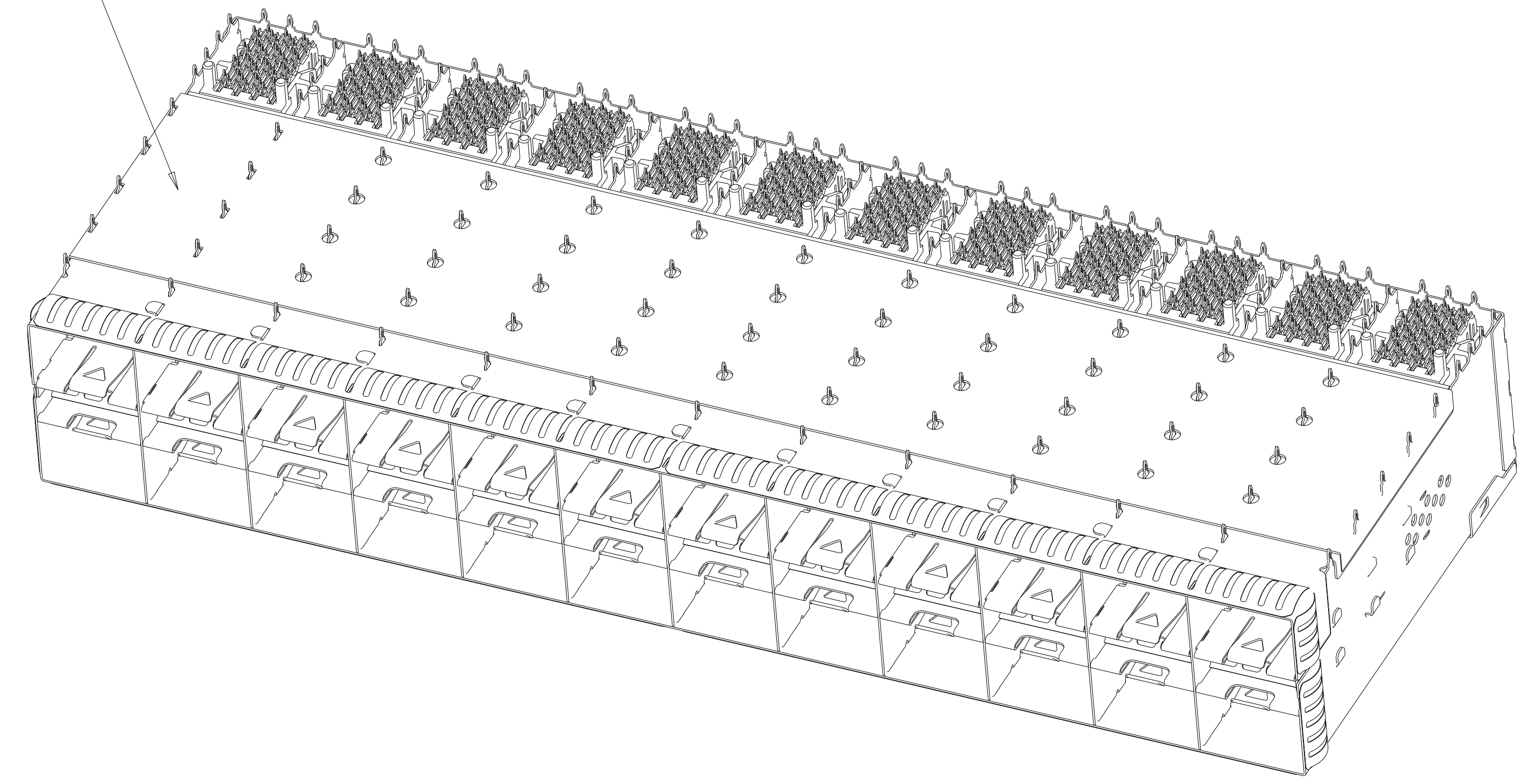
CUSTOMER DRAWING

LOC	DIST	REVISIONS			
P	LYR	DESCRIPTION	DATE	DMN	APVD
-	-	SEE SHEET 1	-	-	-

2-2349201-1/2-2349201-2 AIR FLOW ENHANCE VERSION
 UNMARKED DIMENSIONS ARE SAME AS 2349201-7



INSULATOR TAPE
 ONLY FOR 2-2349201-2



SCALE 2:1

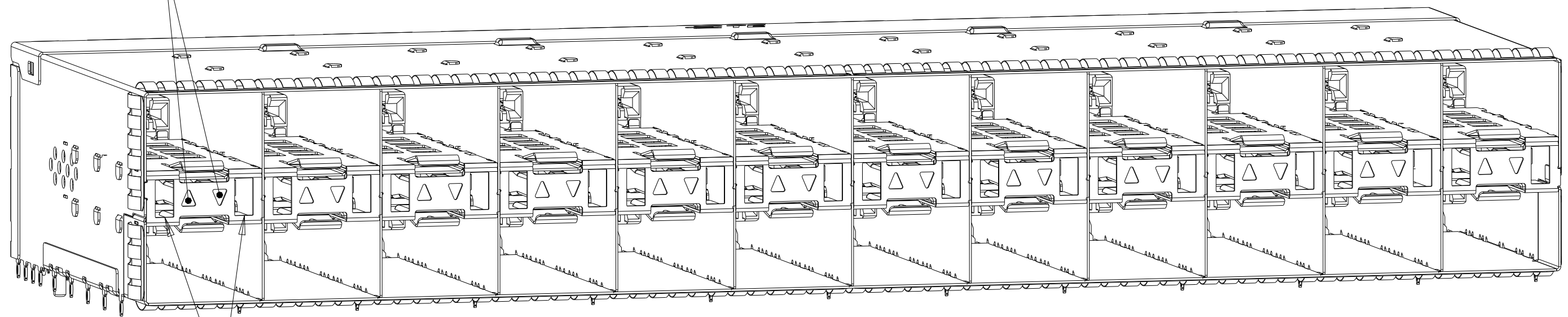
THIS DRAWING IS A CONTROLLED DOCUMENT.		DMN J. WANG 27FEB2019	
DIMENSIONS:		CHK S. HAN 27FEB2019	
mm	TOLERANCES UNLESS OTHERWISE SPECIFIED:	APVD S. HAN 27FEB2019	NAME RECEPTACLE ASSEMBLY, 2X12, STACKED, SFP56
 0 PLC ±0.25 1 PLC ±0.25 2 PLC ±0.25 3 PLC ±0.25 4 PLC ±0.25 ANGLES ±° FINISH ±°	0 PLC ±0.25 1 PLC ±0.25 2 PLC ±0.25 3 PLC ±0.25 4 PLC ±0.25 ANGLES ±° FINISH ±°	PRODUCT SPEC 108-2431 APPLICATION SPEC 114-13319	SIZE A100779C=2349201
MATERIAL SEE NOTES	WEIGHT -	CUSTOMER DRAWING	RESTRICTED TO SCALE 2:1 SHEET 2 OF 8 REV B1

LOC		DIST		REVISIONS			
P	LYR	DESCRIPTION	DATE	DWN	APVD		
-		SEE SHEET 1	-	-	-		

2-2349201-3 AIR FLOW ENHANCE VERSION
UNMARKED DIMENSIONS ARE SAME AS 2-2349201-1

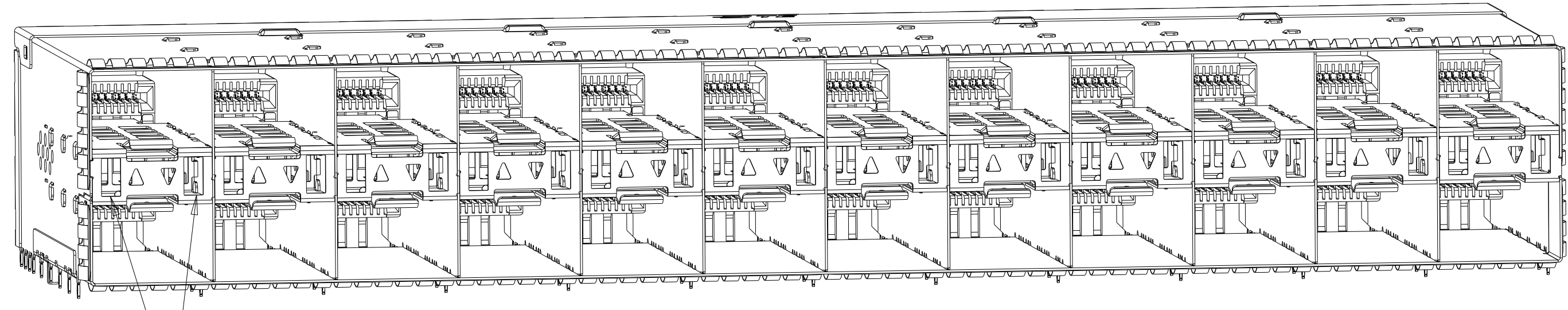
2-2349201-4 AIR FLOW ENHANCE VERSION
UNMARKED DIMENSIONS ARE SAME AS 2-2349201-1

INNER LIGHT PIPE



CUSTOMIZED VENT HOLES

SCALE 2:1

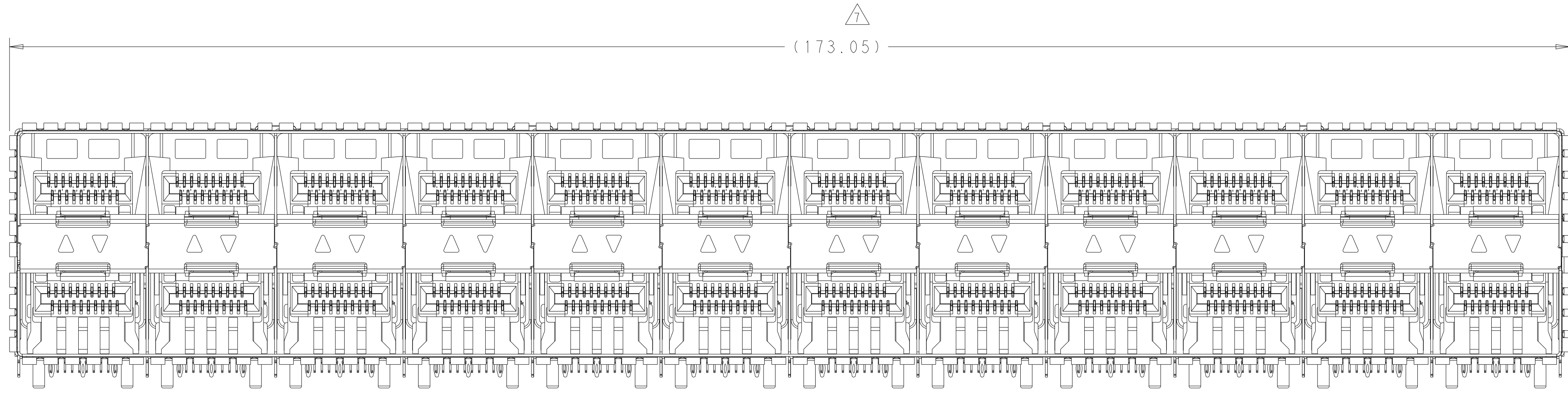


CUSTOMIZED VENT HOLES

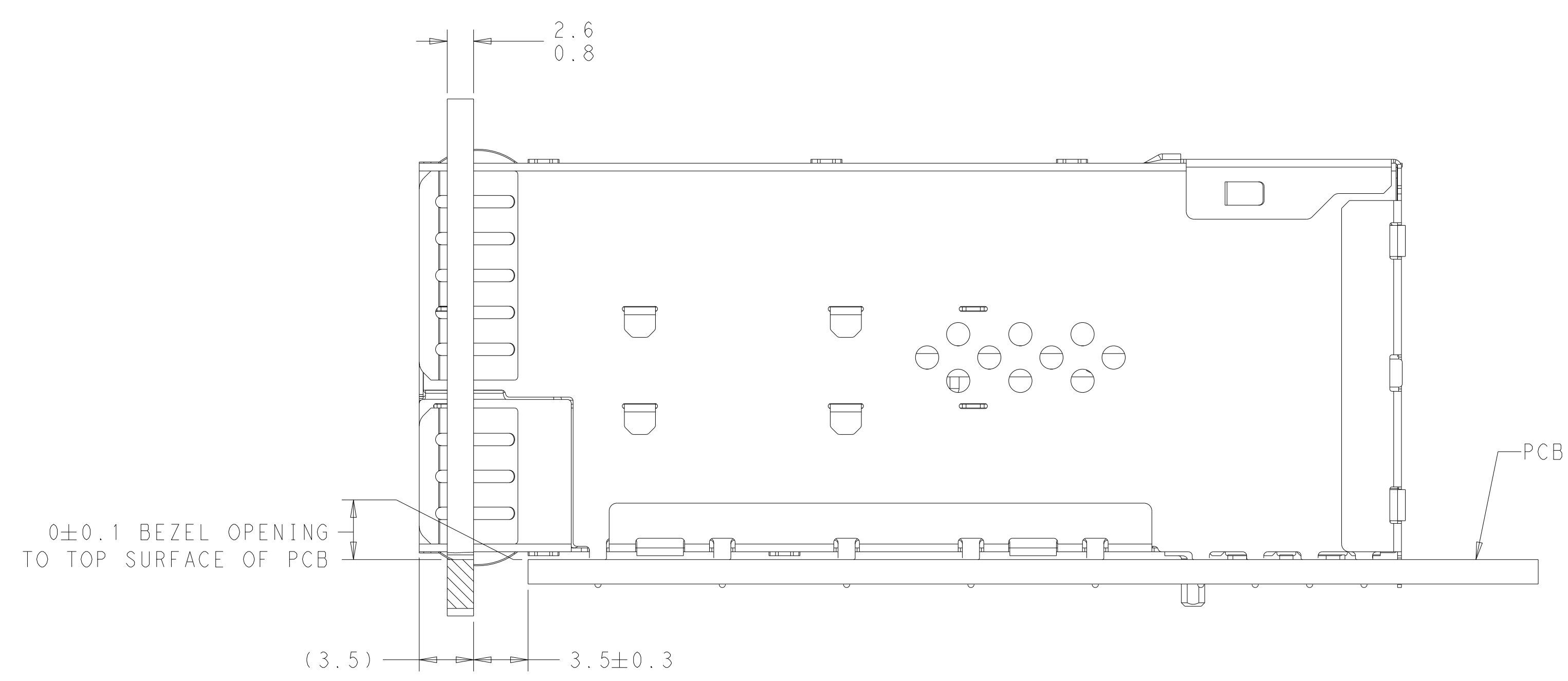
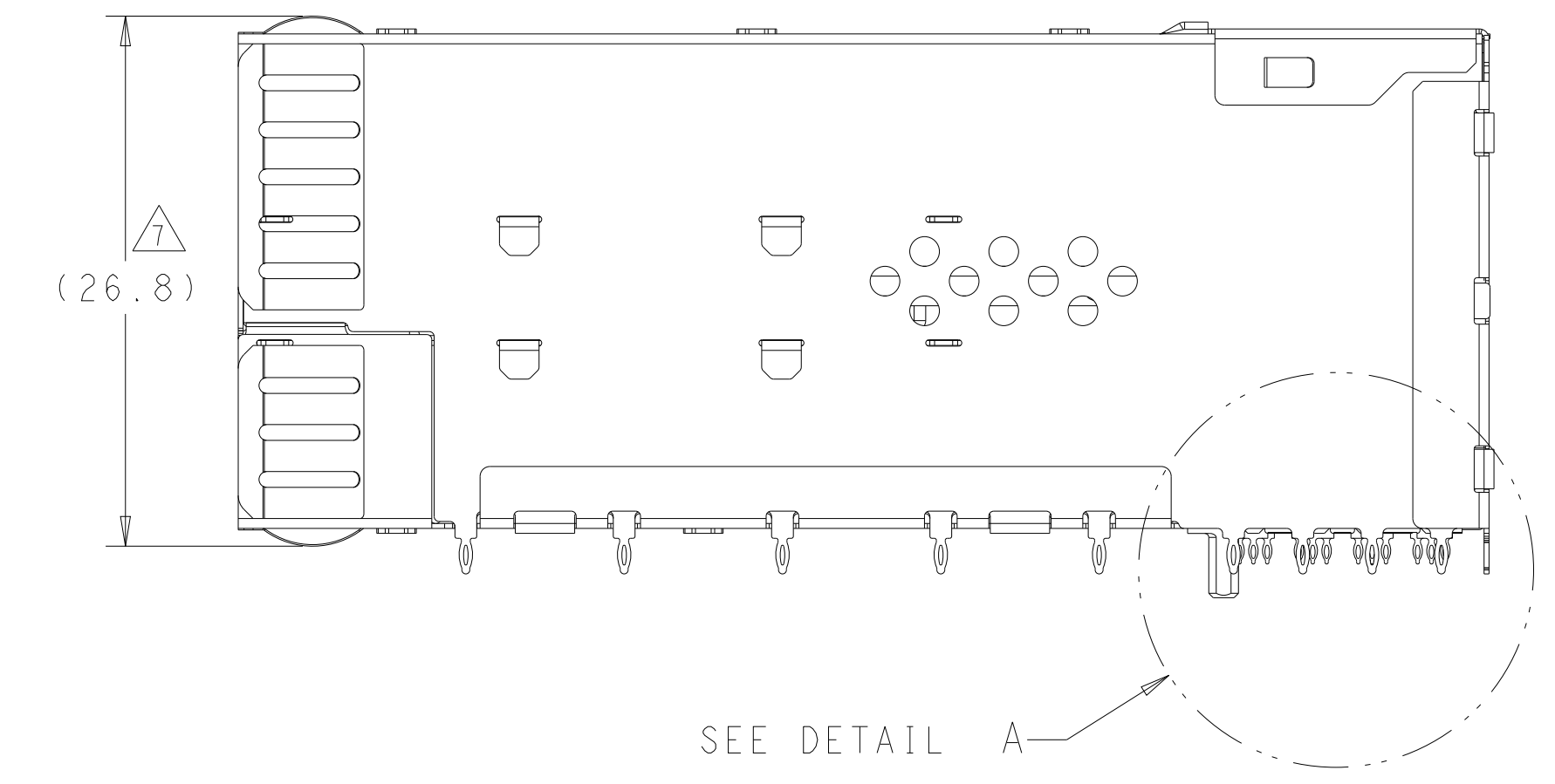
SCALE 2:1

THIS DRAWING IS A CONTROLLED DOCUMENT.		DWN J. WANG 27FEB2019															
DIMENSIONS: mm		CHK S. HAN 27FEB2019															
<table border="1"> <tr> <td>0 PLC</td> <td>±0.25</td> </tr> <tr> <td>1 PLC</td> <td>±0.25</td> </tr> <tr> <td>2 PLC</td> <td>±0.25</td> </tr> <tr> <td>3 PLC</td> <td>±0.25</td> </tr> <tr> <td>4 PLC</td> <td>±0.25</td> </tr> <tr> <td>ANGLES</td> <td>±°</td> </tr> <tr> <td>FINISH</td> <td>±5°</td> </tr> </table>		0 PLC	±0.25	1 PLC	±0.25	2 PLC	±0.25	3 PLC	±0.25	4 PLC	±0.25	ANGLES	±°	FINISH	±5°	APVD S. HAN 27FEB2019	NAME RECEPTACLE ASSEMBLY, 2X12, STACKED, SFP56
0 PLC	±0.25																
1 PLC	±0.25																
2 PLC	±0.25																
3 PLC	±0.25																
4 PLC	±0.25																
ANGLES	±°																
FINISH	±5°																
MATERIAL SEE NOTES		PRODUCT SPEC 108-2431	SIZE A1														
TOLERANCES UNLESS OTHERWISE SPECIFIED:		APPLICATION SPEC 114-13319	CAGE CODE 00779														
WEIGHT SEE NOTES		CUSTOMER DRAWING	DRAWING NO C=2349201														
RESTRICTED TO		SCALE 2:1	SHEET 3 OF 8														
REV B1																	

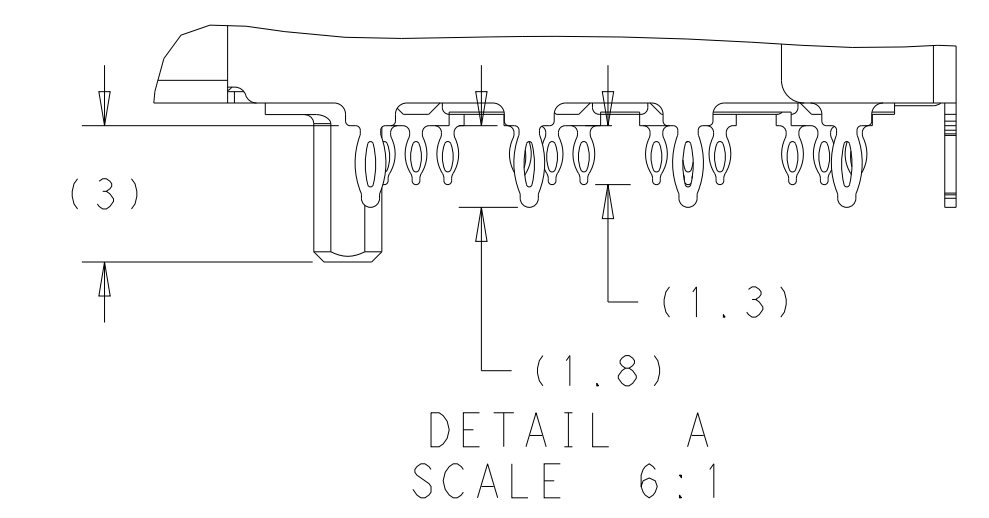
LOC	DIST	REVISIONS					
GP	00	P	LYR	DESCRIPTION	DATE	DWN	APVD
		-		SEE SHEET 1			



2349201-7
 EMI SPRINGS ONLY
 SCALE 3:1



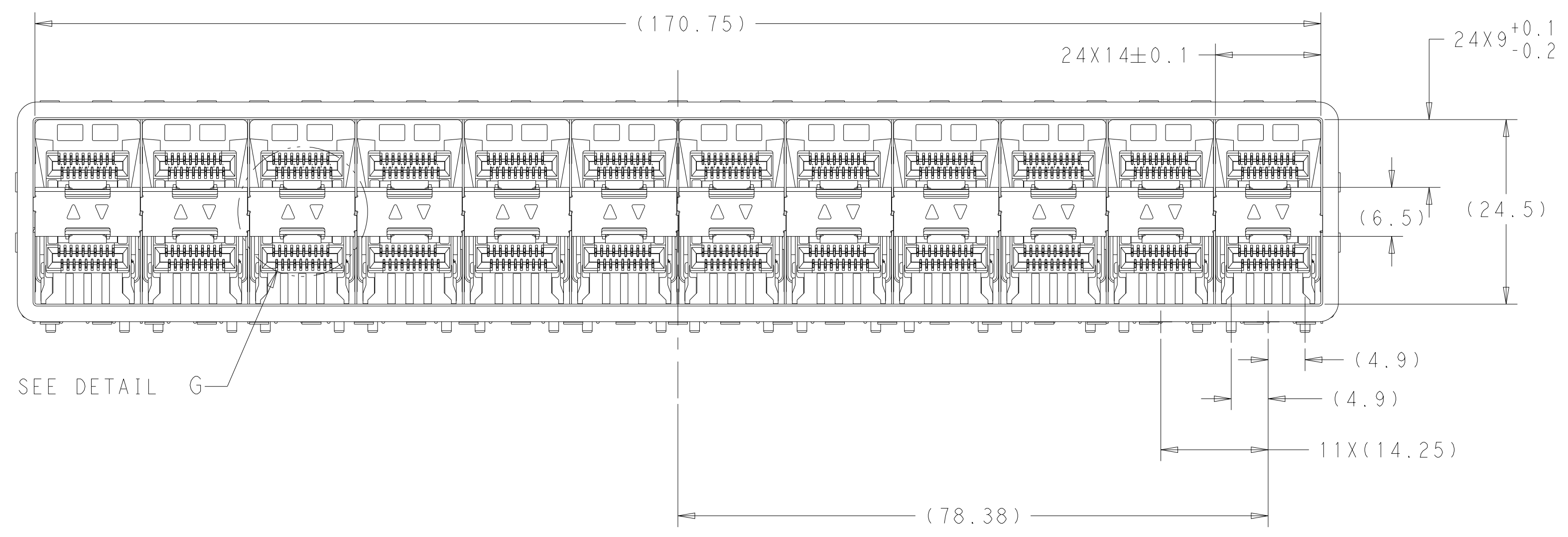
RECOMMENDED BEZEL LOCATION WITH EMI SPRINGS
 SCALE 4:1



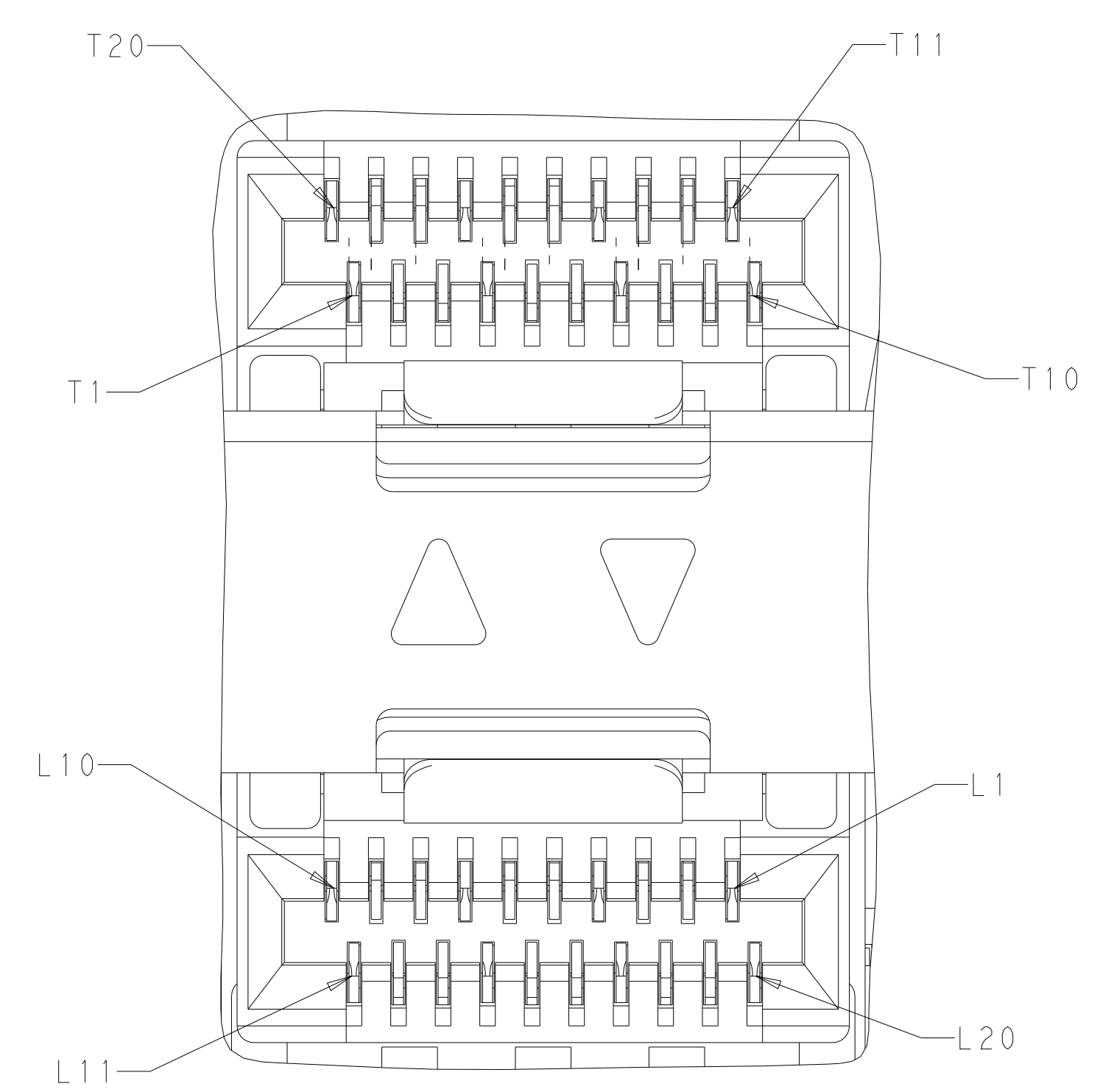
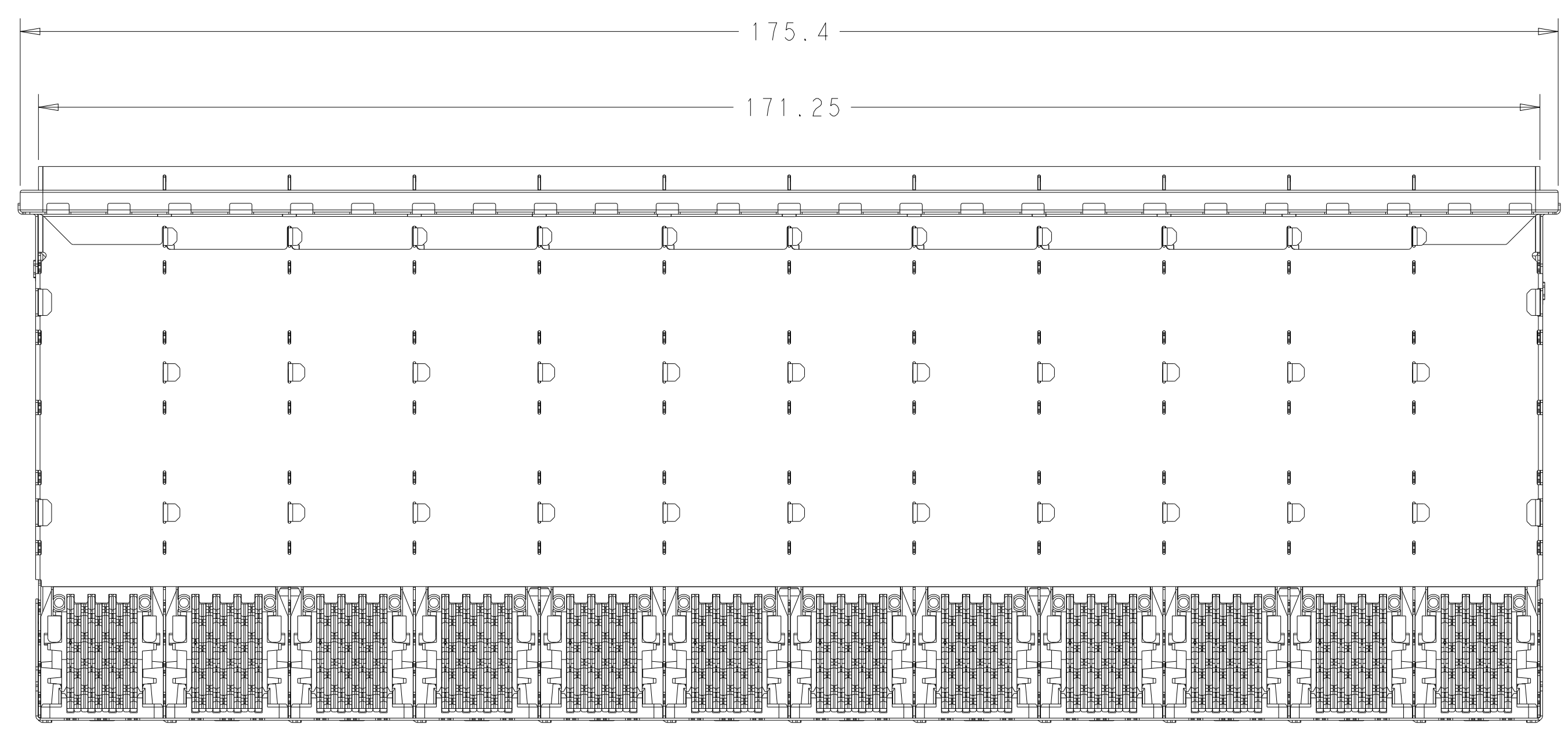
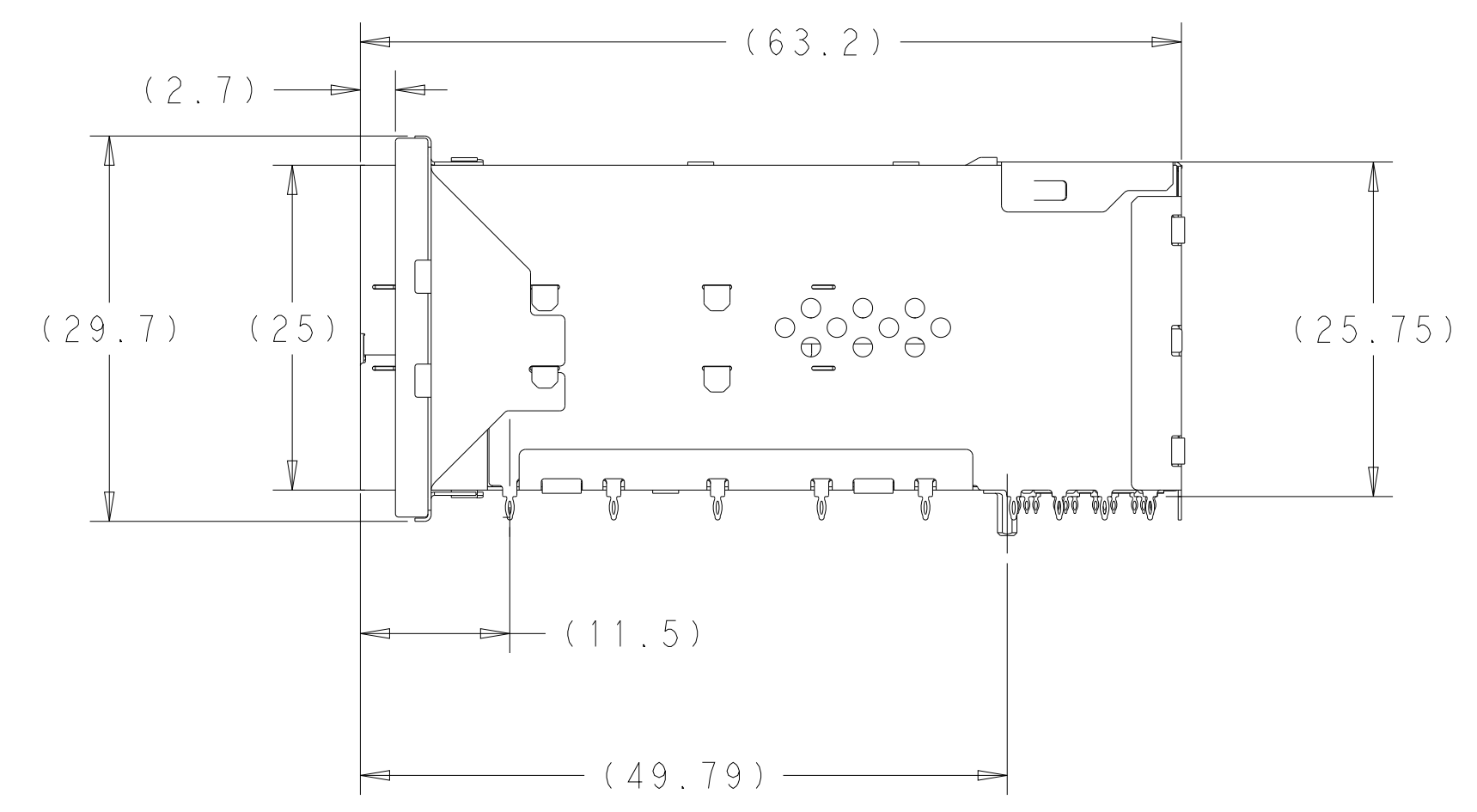
DETAIL A
 SCALE 6:1

THIS DRAWING IS A CONTROLLED DOCUMENT.		DWN J. WANG 27FEB2019	TE Connectivity
DIMENSIONS:		CHK S. HAN 27FEB2019	
mm	TOLERANCES UNLESS OTHERWISE SPECIFIED:	APVD S. HAN 27FEB2019	NAME RECEPTACLE ASSEMBLY, 2X12, STACKED, SFP56
	0 PLC ±0.25 1 PLC ±0.25 2 PLC ±0.25 3 PLC ±0.25 4 PLC ±0.25 ANGLES ±° FINISH ±5°	PRODUCT SPEC 108-2431 APPLICATION SPEC 114-13319	SIZE A1
MATERIAL SEE NOTES	SEE NOTES	WEIGHT -	CAGE CODE A100779
		CUSTOMER DRAWING	DRAWING NO C=2349201
		SCALE 2:1	SHEET 4 OF 8
			REV B1

LOC		DIST		REVISIONS				
P	LTN	DATE	DMN	APVD	DESCRIPTION	DATE	DMN	APVD
-	-	-	-	-	SEE SHEET 1	-	-	-



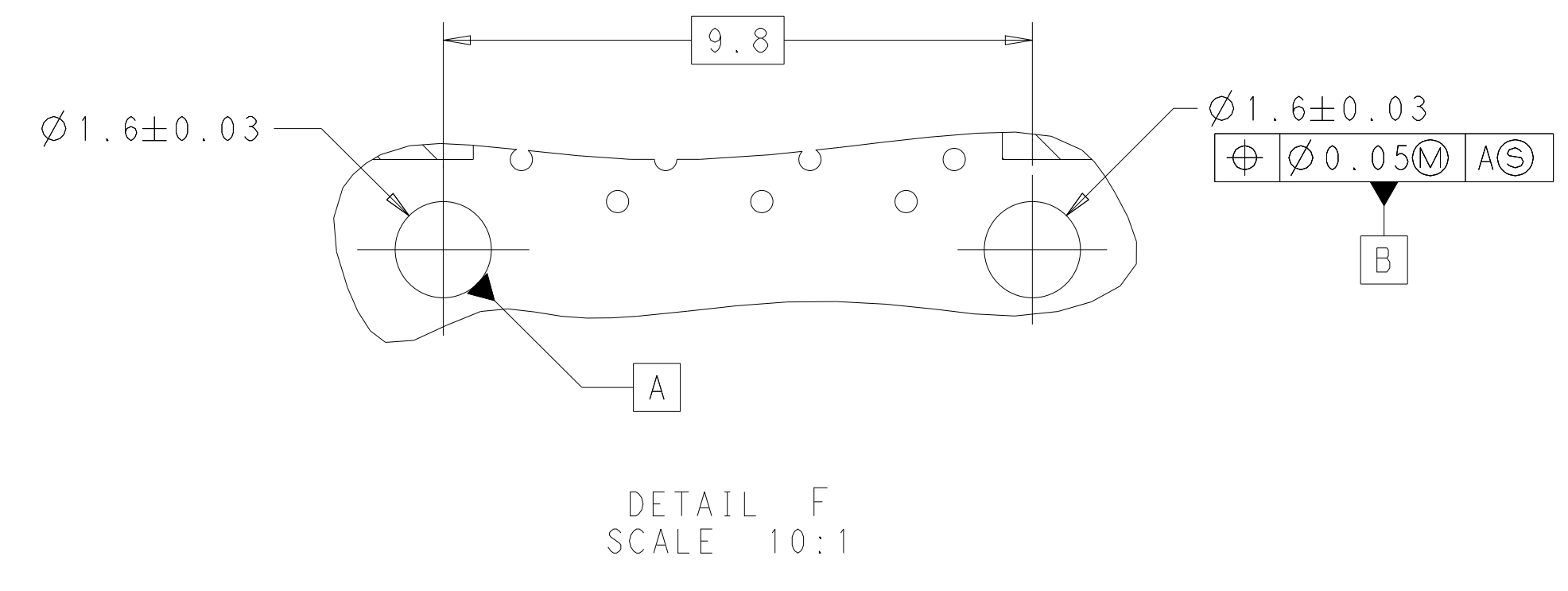
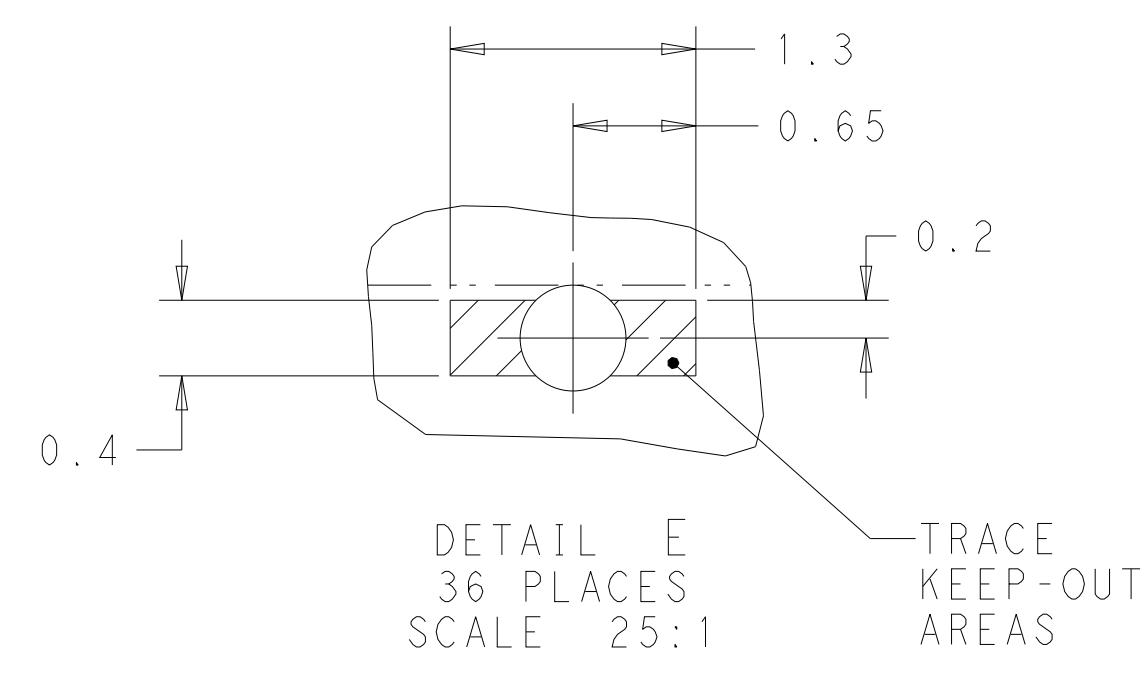
EMI GASKET VERSION



DETAIL G
 12X INDIVIDUALLY
 SCALE 10:1

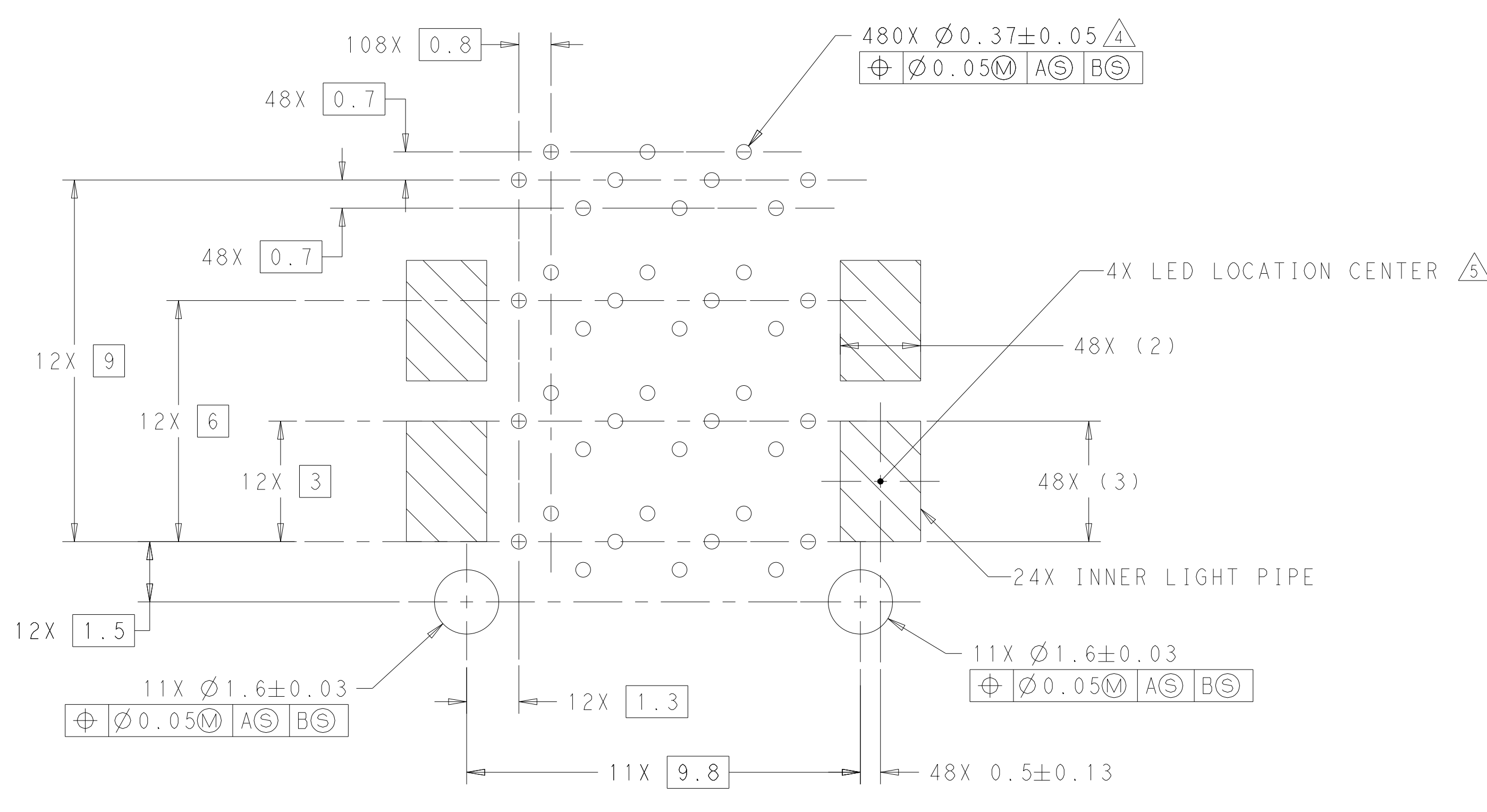
THIS DRAWING IS A CONTROLLED DOCUMENT. DIMENSIONING AND TOLERANCING PER ASME Y14.5M-2009.		DMN: J. WANG 27FEB2019	TE Connectivity NAME: RECEPTACLE ASSEMBLY, 2X12, STACKED, SFP56
DIMENSIONS: mm		CHK: S. HAN 27FEB2019	
TOLERANCES UNLESS OTHERWISE SPECIFIED:		APVD: S. HAN 27FEB2019	SIZE: A1
0 PLC ±0.25	1 PLC ±0.25	PRODUCT SPEC	CAGE CODE: 108-2431
2 PLC ±0.25	3 PLC ±0.25	APPLICATION SPEC	DRAWING NO: 2349201
4 PLC ±0.25	ANGLES ±°	FINISH ±5°	RESTRICTED TO: -
MATERIAL: SEE NOTES	WEIGHT: -	CUSTOMER DRAWING	SCALE: 2:1
SHEET 5 OF 8			REV: B1

LOC	DIST	REVISIONS					
GP	00	P	LYR	DESCRIPTION	DATE	OWN	APVD
		-		SEE SHEET 1			

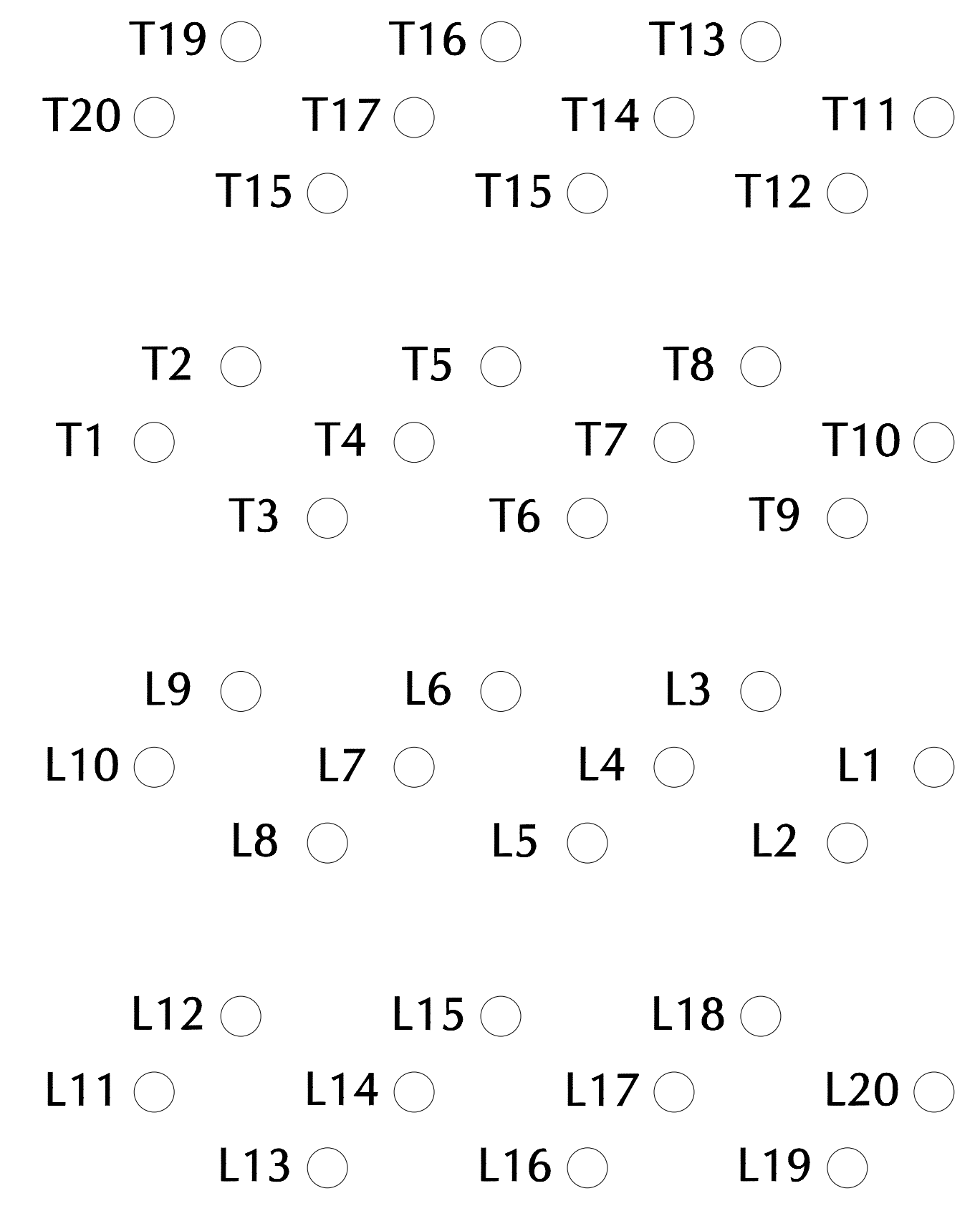


THIS DRAWING IS A CONTROLLED DOCUMENT. DIMENSIONING AND TOLERANCING PER ASME Y14.5M-2009.		OWN: J. WANG 27FEB2019	TE Connectivity
DIMENSIONS: mm		CHK: S. HAN 27FEB2019	
TOLERANCES UNLESS OTHERWISE SPECIFIED:		APVD: S. HAN 27FEB2019	NAME: RECEPTACLE ASSEMBLY, 2X12, STACKED, SFP56 PRODUCT SPEC: 108-2431 APPLICATION SPEC: 114-13319
0 PLC ±0.25 1 PLC ±0.25 2 PLC ±0.25 3 PLC ±0.25 4 PLC ±0.25 ANGLES ±° FINISH ±5°		SIZE: A1 CAGE CODE: 00779 DRAWING NO: C=2349201	
MATERIAL: SEE NOTES		WEIGHT: -	RESTRICTED TO: -
CUSTOMER DRAWING		SCALE: 2:1	SHEET: 6 OF 8

LOC	DIST	REVISIONS					
GP	00	P	LTN	DESCRIPTION	DATE	DMN	APVD
		-		SEE SHEET 1			

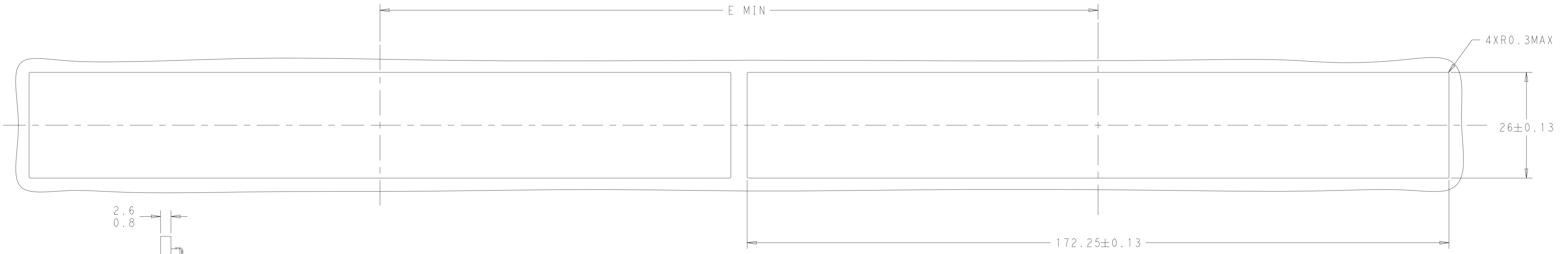


DETAIL C
 RECOMMENDED PIN AND LIGHT PIPE LAYOUT
 SCALE 10:1

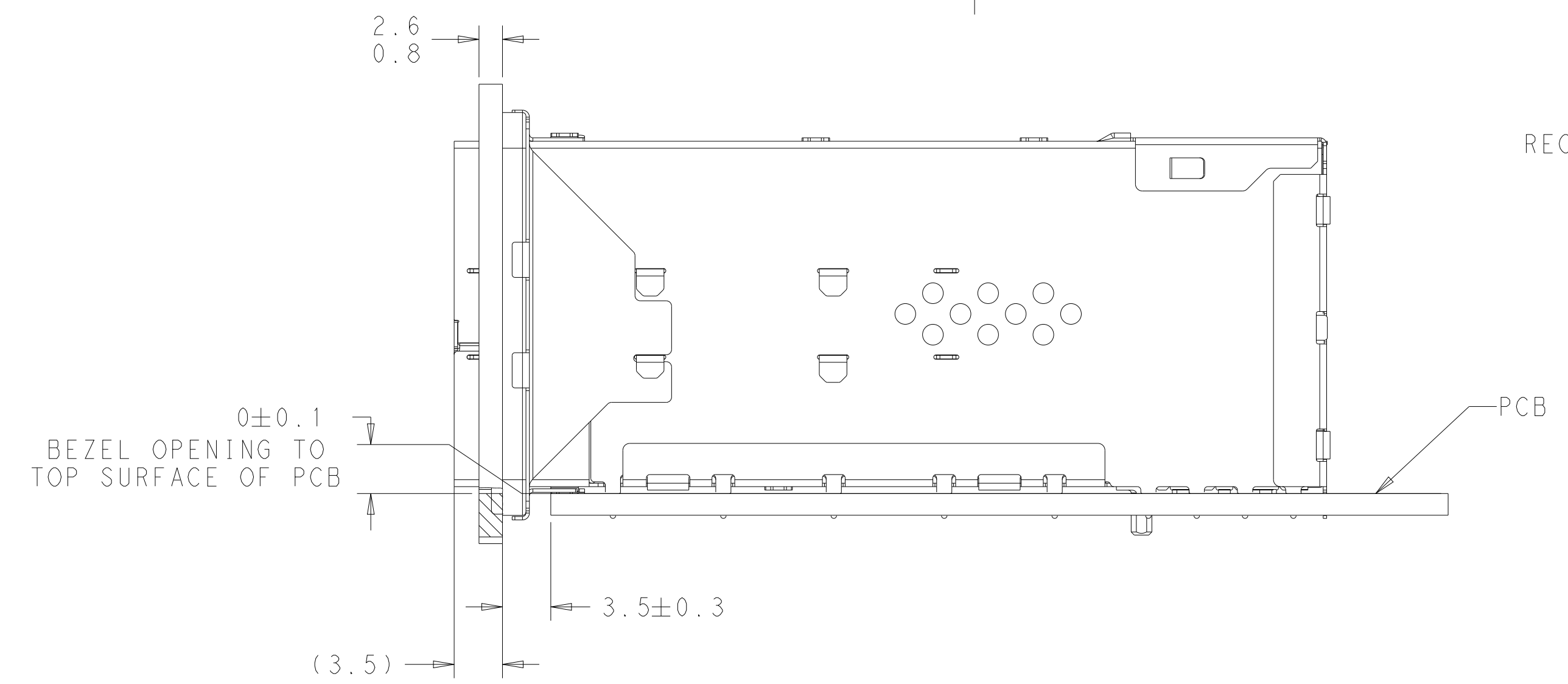


PIN MAP LEGEND	
PIN NUMBER	FUNCTION
L1/T1	VEET
L2/T2	TX-FAULT
L3/T3	TX-DISABLE
L4/T4	SDA
L5/T5	SCL
L6/T6	MOD_ABS
L7/T7	RS0
L8/T8	RX_LOS
L9/T9	RS1
L10/T10	VEER
L11/T11	VEER
L12/T12	RD-
L13/T13	RD+
L14/T14	VEER
L15/T15	VCCR
L16/T16	VCCT
L17/T17	VEET
L18/T18	TD+
L19/T19	TD-
L20/T20	VEET

DETAIL D
 PIN MAP
 12 PLACES
 SCALE 20:1



RECOMMENDED BEZEL CUT OUT DETAIL



RECOMMENDED BEZEL LOCATION WITH EMI GASKET
 SCALE 3:1

THIS DRAWING IS A CONTROLLED DOCUMENT. DIMENSIONING AND TOLERANCING PER ASME Y14.5M-2009		DMN: J.WANG 27FEB2019 CHK: S.HAN 27FEB2019	TE Connectivity NAME: RECEPTACLE ASSEMBLY, 2X12, STACKED, SFP56
DIMENSIONS: mm	TOLERANCES UNLESS OTHERWISE SPECIFIED:	APVD: S.HAN 27FEB2019	
0 PLC ±0.25 1 PLC ±0.25 2 PLC ±0.25 3 PLC ±0.25 4 PLC ±0.25	ANGLES ±5°	PRODUCT SPEC: 108-2431 APPLICATION SPEC: 114-13319	SIZE: A1 CAGE CODE: 00779 DRAWING NO: C=2349201
MATERIAL: SEE NOTES	FINISH: SEE NOTES	WEIGHT: -	RESTRICTED TO: -
CUSTOMER DRAWING		SCALE: 2:1	SHEET 7 OF 8 REV: B1

8

7

6

5

4

3

2

1

THIS DRAWING IS UNPUBLISHED. RELEASED FOR PUBLICATION 20
 © COPYRIGHT 20 BY TYCO ELECTRONICS ALL RIGHTS RESERVED.

LOC	DIST	REVISIONS					
		REV	LTN	DESCRIPTION	DATE	DWN	APVD
GP	00	-		SEE SHEET 1	-	-	-

THIS DRAWING IS A CONTROLLED DOCUMENT.		OWN	J. WANG	27FEB2019	
		CHK	S. HAN	27FEB2019	
DIMENSIONS:		TOLERANCES UNLESS OTHERWISE SPECIFIED:		NAME	
mm	0 PLC ±0.25 1 PLC ±0.25 2 PLC ±0.25 3 PLC ±0.25 4 PLC ±0.25	APVD	S. HAN	27FEB2019	RECEPTACLE ASSEMBLY, 2X12, STACKED, SFP56
	ANGLES ±° FINISH	PRODUCT SPEC	108-2431		SIZE
MATERIAL	SEE NOTES	APPLICATION SPEC	114-13319		CAGE CODE
SEE NOTES	SEE NOTES	WEIGHT	-		DRAWING NO
		CUSTOMER DRAWING	A100779		©=2349201
		SCALE	2:1		SHEET 8 OF 8
		REV	B1		

Mouser Electronics

Authorized Distributor

Click to View Pricing, Inventory, Delivery & Lifecycle Information:

[TE Connectivity:](#)

[2-2349201-1](#)