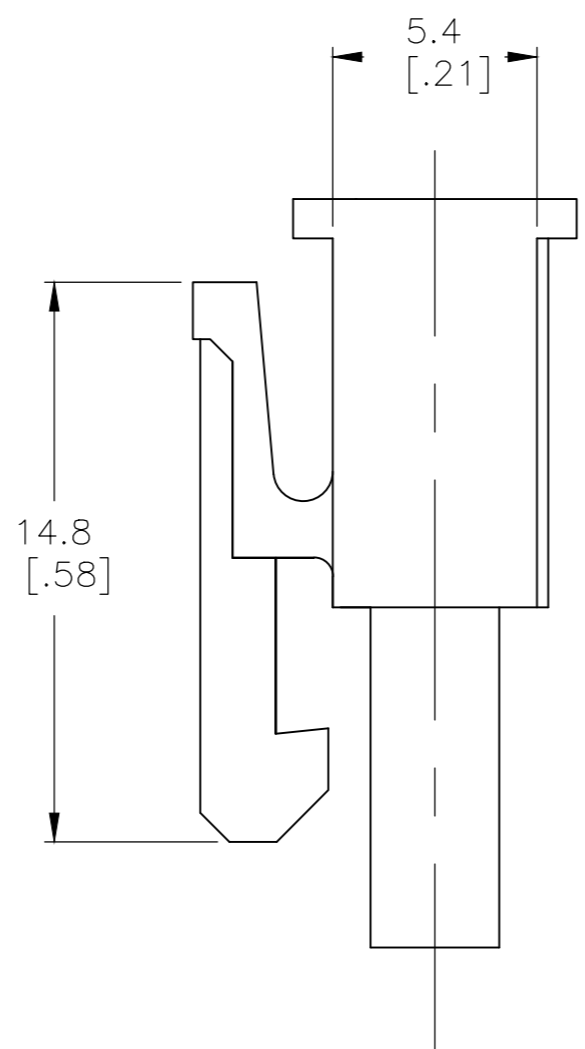
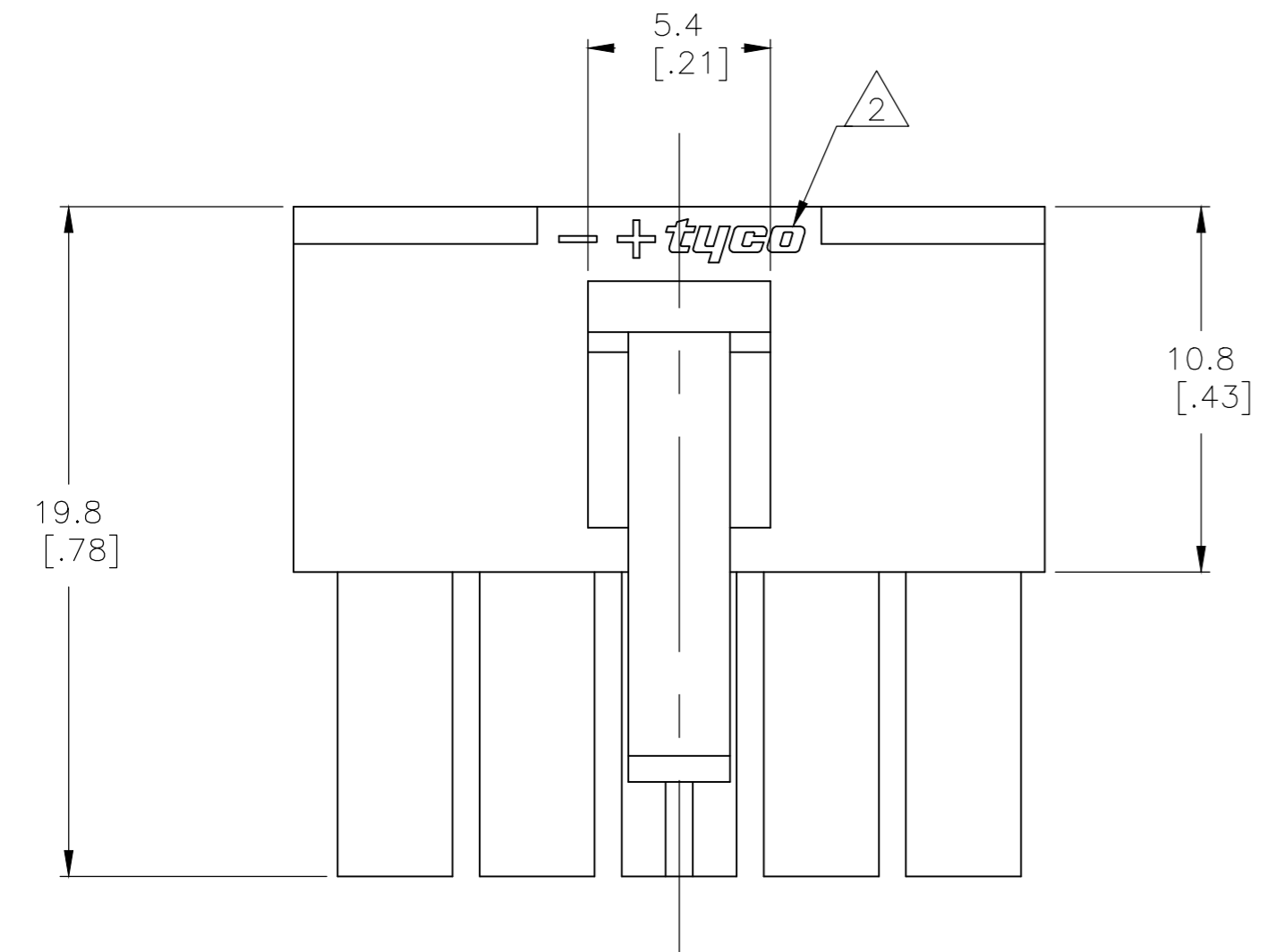
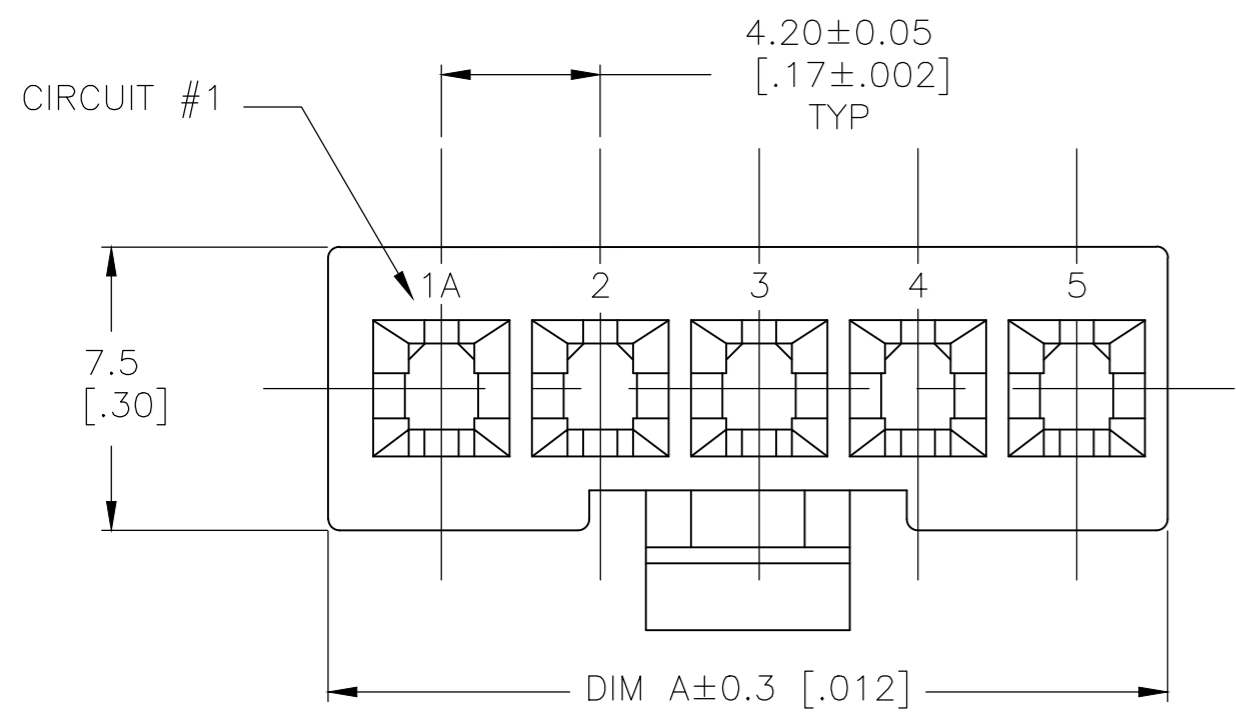
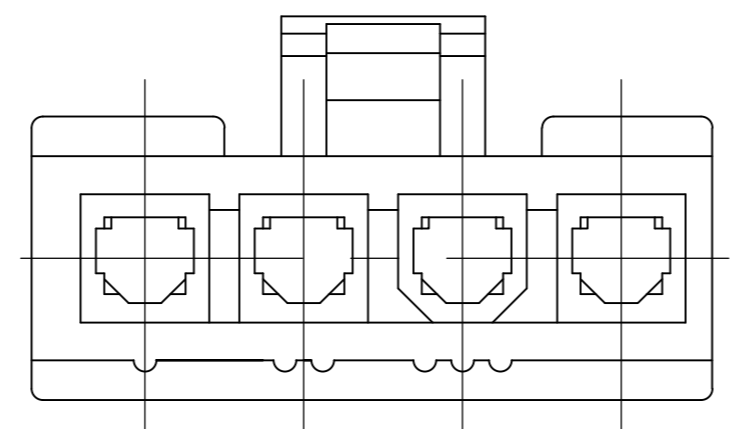
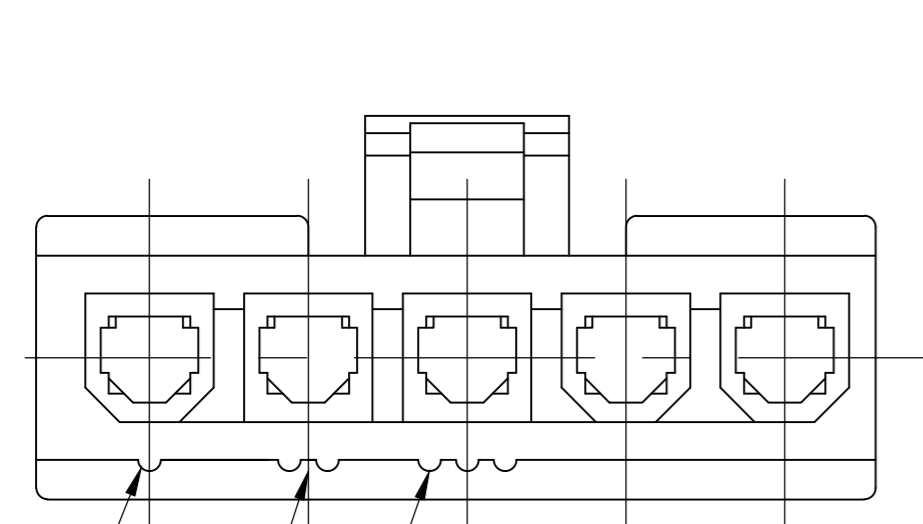


THIS DRAWING IS UNPUBLISHED. RELEASED FOR PUBLICATION  
 © COPYRIGHT - TE Connectivity Ltd. ALL RIGHTS RESERVED.

REVISIONS				
P	LTR	DESCRIPTION	DATE	APVD
A		INITIAL RELEASE	21MAY2019	L.C D.Z



1. MATERIAL: NYLON, UL94V-0. COLOR NATURAL.
2. COMPLY WITH GLOW WIRE REQUIREMENTS FOR PARTS OF NON-METALLIC MATERIAL SUPPORTING A CURRENT-CARRYING CONNECTION DETAILED IN IEC 60335-1, SECTION 30(GWT)
3. MATES WITH VAL-U-LOK(TM) PLUG HOUSINGS 2029180-X (GLOW WIRE) AND OTHER EQUIVALENT PARTS.
4. TE LOGO,- SIZE, LOCATION, AND ORIENTATION OPTIONAL.



4 POSITION MATING FACE  
(FOR POLARIZATION IDENTIFICATION)

22.2 [.87]	5	2348036-5
18.0 [.71]	4	2348036-4
DIM A	POS	PART NUMBER

THIS DRAWING IS A CONTROLLED DOCUMENT.		DWN L.CHEN 03DEC2018	TE Connectivity	
DIMENSIONS: mm [INCHES]		CHK D.ZHANG 03DEC2018	RECEPTACLE, SINGLE ROW, VAL-U-LOK(TM)	
TOLERANCES UNLESS OTHERWISE SPECIFIED:		APVD D.ZHANG 03DEC2018	NAME	RESTRICTED TO
0 PLC ± -	1 PLC ± 0.2 [.01]	PRODUCT SPEC	108-2112	-
2 PLC ± -	3 PLC ± -	APPLICATION SPEC	114-13172	
4 PLC ± -	ANGLES ± -	WEIGHT	0.000000	
MATERIAL	FINISH	SIZE	A2	
SEE NOTES	-	CAGE CODE	00779	
CUSTOMER DRAWING		DRAWING NO	C=2348036	
		SCALE	NTS	
		SHEET	1 of 1	
		REV	A	

2348036

# Mouser Electronics

Authorized Distributor

Click to View Pricing, Inventory, Delivery & Lifecycle Information:

[TE Connectivity:](#)

[2348036-5](#)