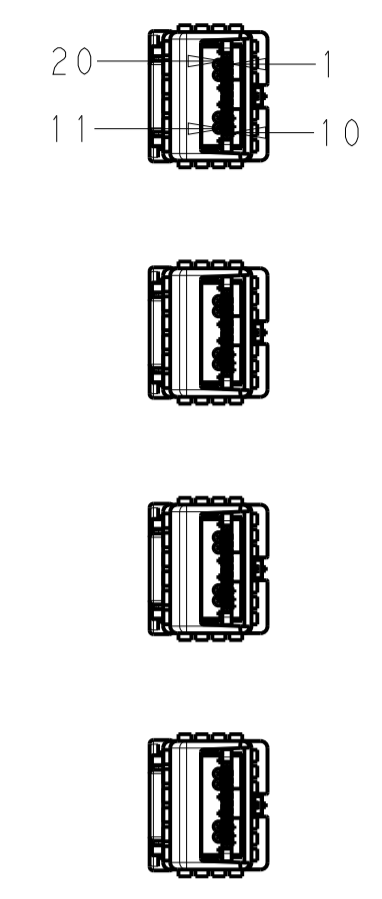
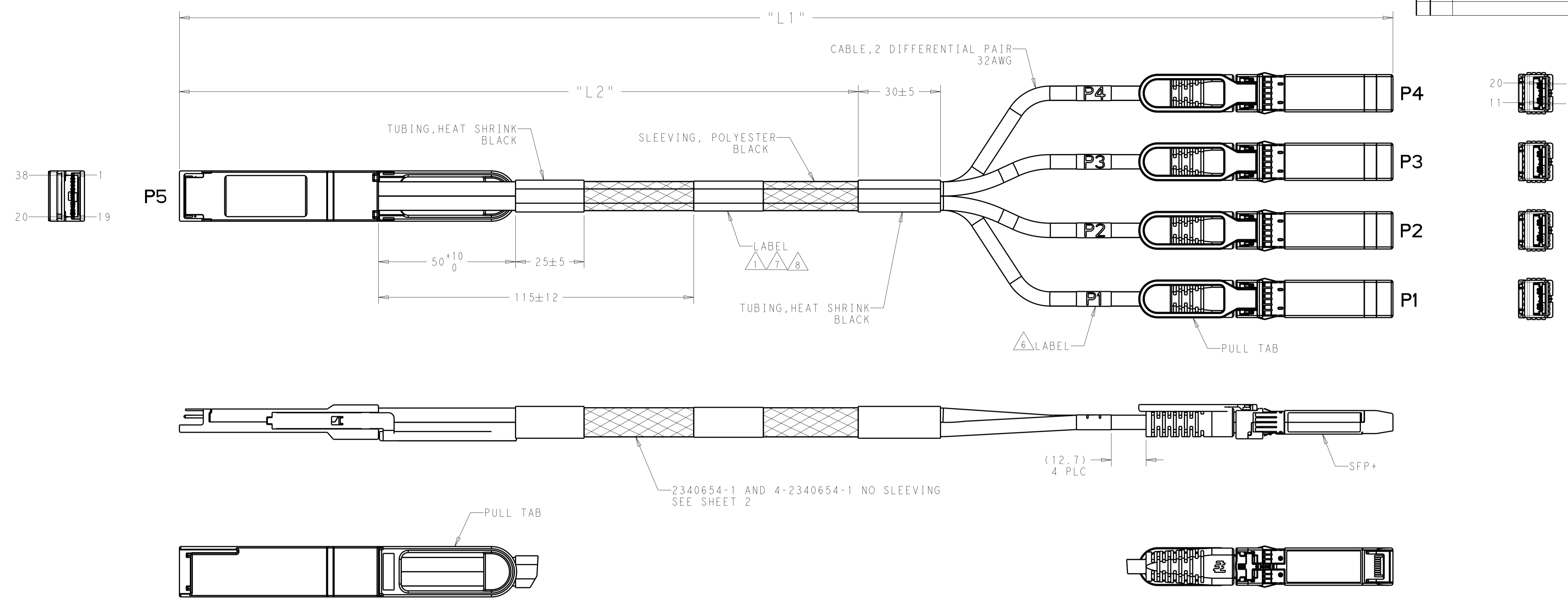
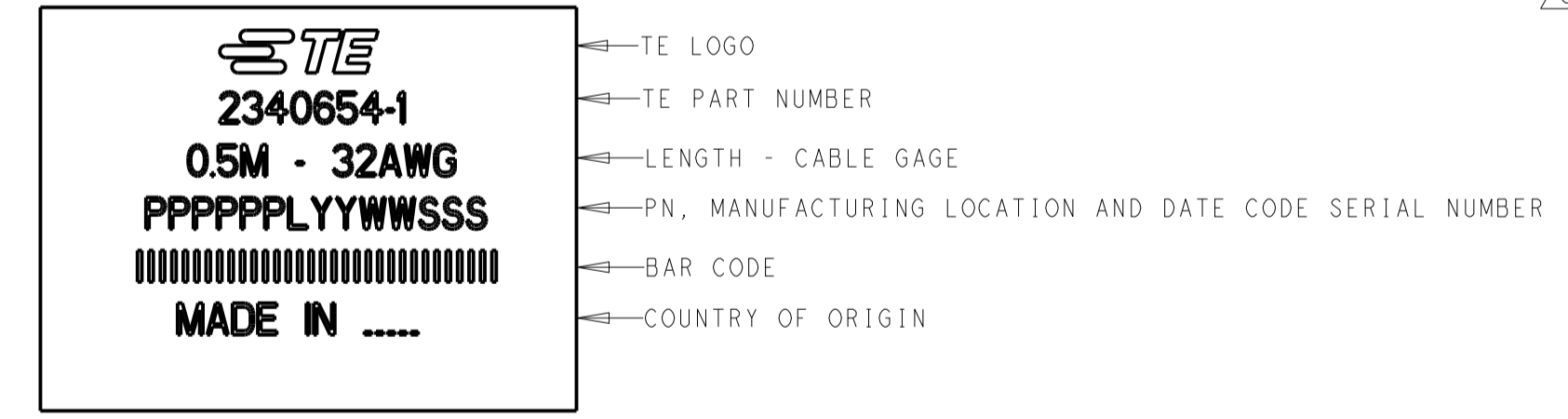


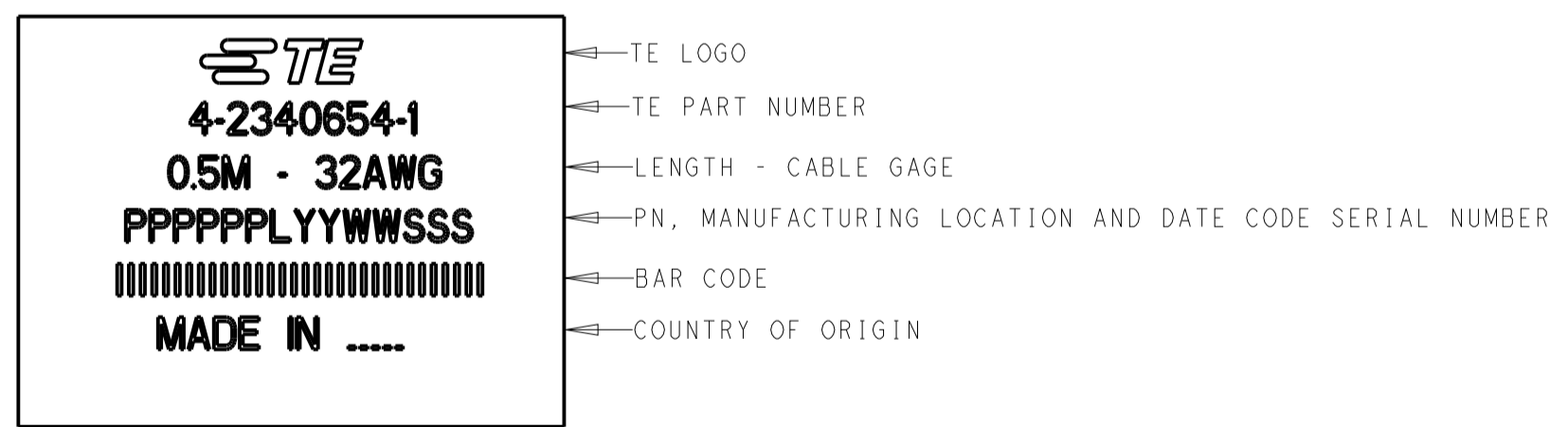
| REVISIONS |     |                           |           |       |
|-----------|-----|---------------------------|-----------|-------|
| P         | LTN | DESCRIPTION               | DATE      | APVD  |
| A         |     | PER ECO-18-020143         | 31DEC2018 | MY GF |
| B         |     | PER ECO-19-007907         | 24MAY2019 | AP GF |
| C         |     | REVISED PER ECO-21-005290 | 01MAY2021 | KK AK |



1 LABEL INFORMATION FOR 25 GIG PNS (-1 THRU -4): -1 SHOWN



8 LABEL INFORMATION FOR 56 GIG PNS (-41 THRU -43): -41 SHOWN



- 2. SEE SHEET 2 FOR WIRING SCHEMATIC.
- 3. PRODUCT AND PROCESSING MUST MEET THE REQUIREMENTS OF TE SPECIFICATION TEC-138-702.
- 4. CABLE ASSEMBLY TO BE TESTED FOR OPENS, SHORTS AND PROPER EEPROM PROGRAM.

- 5 TEST IN ACCORDANCE WITH IEEE802.3bj.
- 6 LABEL INFORMATION: P1 SHOWN



7 SEE SHEET 2 FOR 2340654-1 AND 4-2340654-1 LABEL PLACEMENT.

9 DASH NUMBER 41 THRU 43 CONFORM TO 56G, PAM-4 IEEE802.3CD PERFORMANCE REQUIREMENTS.

| STANDARD | GAGE | "L2"    | "L1"        | PART NO     |           |
|----------|------|---------|-------------|-------------|-----------|
|          |      |         |             |             | 9         |
| 9        | 32   | 500 ±25 | 1500 +50/-0 | 4-2340654-3 |           |
|          | 32   | 330 ±25 | 1000 +50/-0 | 4-2340654-2 |           |
|          | 32   | 120 ±12 | 500 +50/-0  | 4-2340654-1 |           |
|          | 5    | 32      | 700 ±25     | 2000 +80/-0 | 2340654-4 |
|          |      | 32      | 500 ±25     | 1500 +50/-0 | 2340654-3 |
|          |      | 32      | 330 ±25     | 1000 +50/-0 | 2340654-2 |
|          | 32   | 120 ±12 | 500 +50/-0  | 2340654-1   |           |

THIS DRAWING IS A CONTROLLED DOCUMENT. DWG: Y1 07AUG2018  
 CHK: G. FRANKLIN 07AUG2018  
 APVD: G. FRANKLIN 07AUG2018

**TE Connectivity**

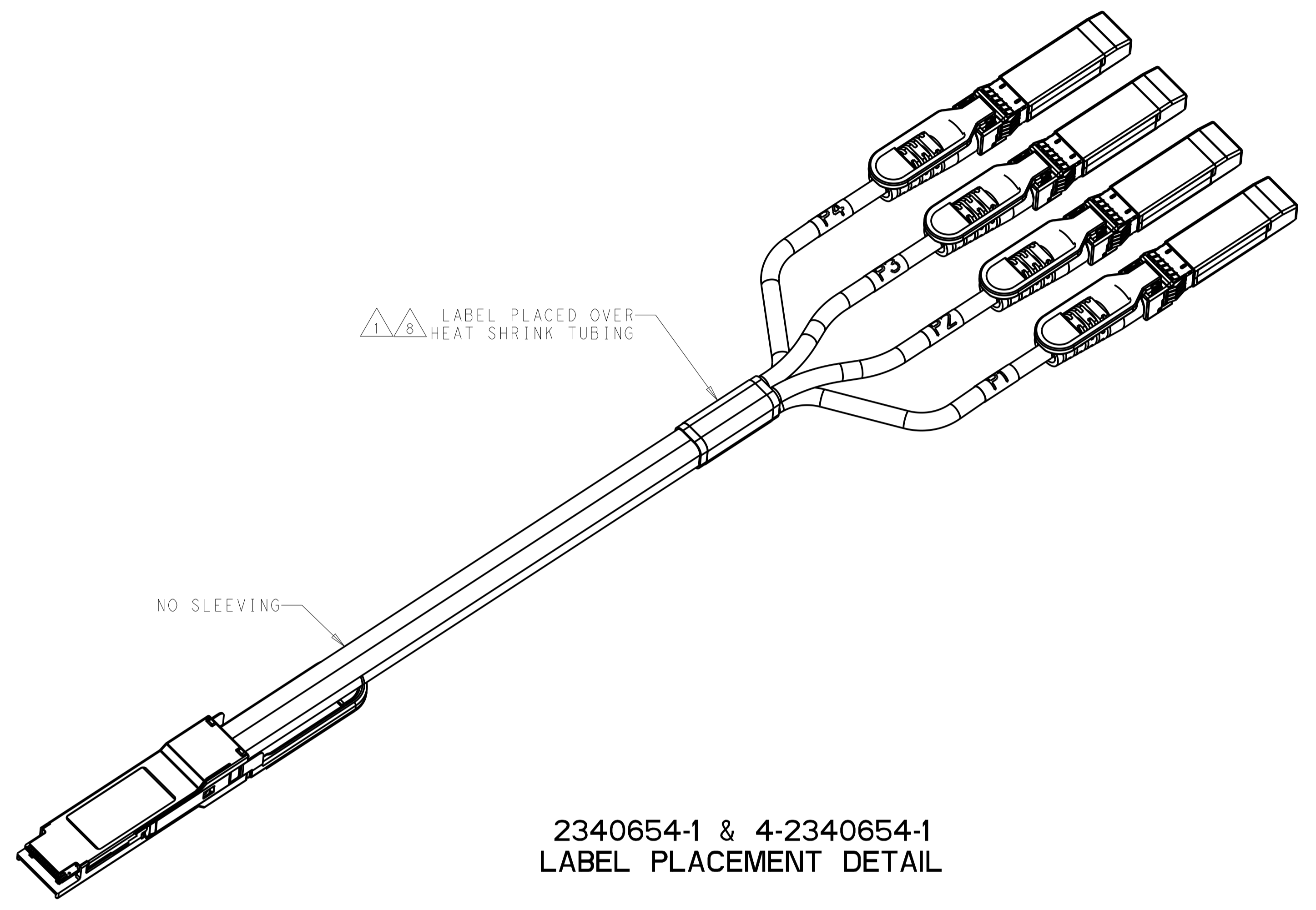
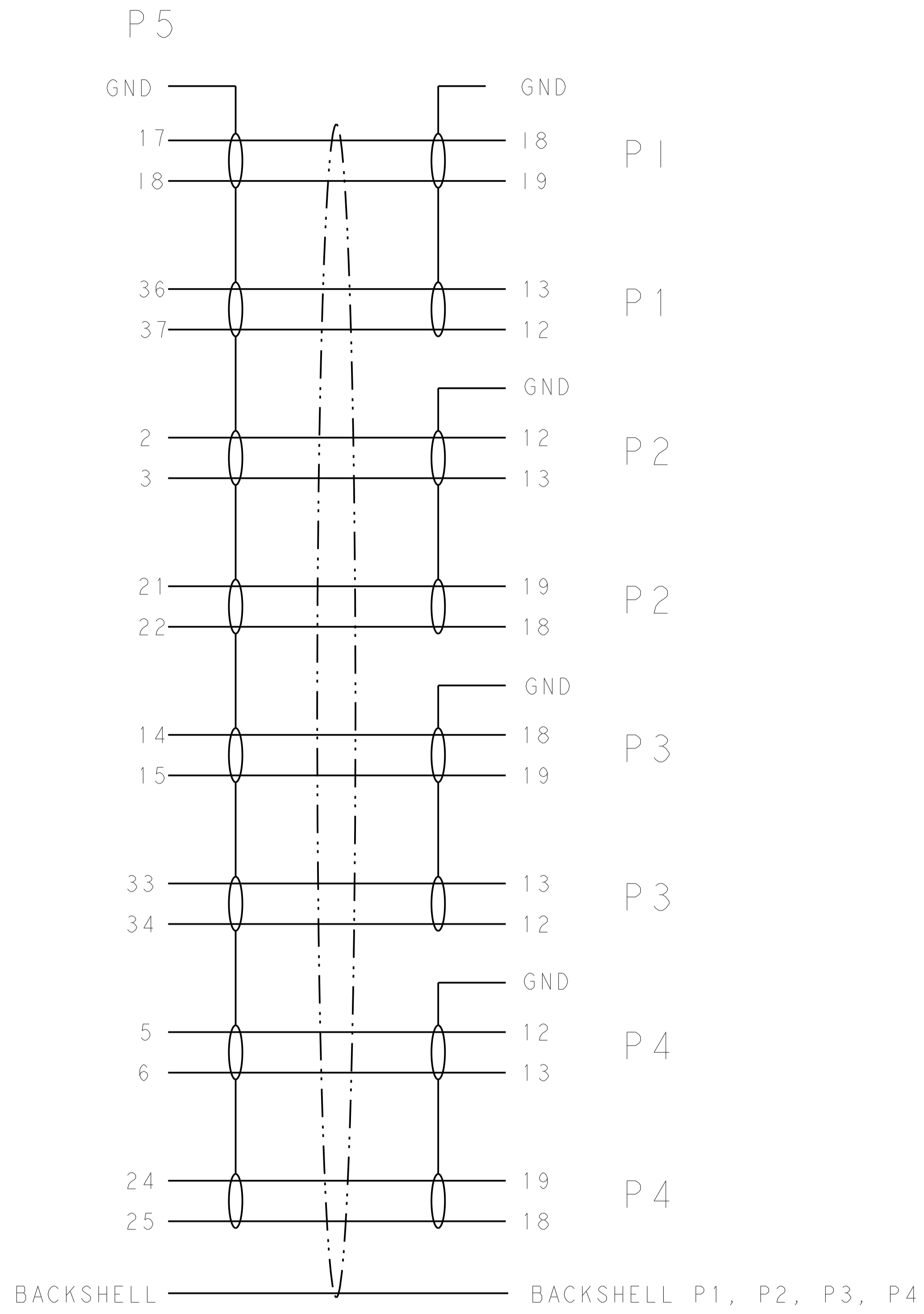
NAME: CABLE ASSEMBLY, QSFP28 TO (4) SFP+ 32AWG

SIZE: A | 00779 | C=2340654

RESTRICTED TO: RESTRICTED CUSTOMER

SCALE: 5:4 SHEET 1 OF 2 REV C

| REVISIONS |             |             |      |      |
|-----------|-------------|-------------|------|------|
| P.        | LTN         | DESCRIPTION | DATE | APVD |
| -         | SEE SHEET 1 |             |      |      |
|           |             |             |      |      |
|           |             |             |      |      |



|  |          |                             |  |
|--|----------|-----------------------------|--|
| THIS DRAWING IS A CONTROLLED DOCUMENT. |          | OWN: Y1 07AUG2018           |  |
| DIMENSIONS: mm                         |          | CHK: G. FRANKLIN 07AUG2018  |  |
| TOLERANCES UNLESS OTHERWISE SPECIFIED: |          | APVD: G. FRANKLIN 07AUG2018 | NAME: CABLE ASSEMBLY, QSFP28 TO (4) SFP+ 32AWG |
| 0 PLC ±                                | 1 PLC ±  | PRODUCT SPEC                | SIZE: CAGE CODE DRAWING NO                     |
| 2 PLC ±                                | 3 PLC ±  | APPLICATION SPEC            | RESTRICTED TO                                  |
| 4 PLC ±                                | ANGLES ± | FINISH                      | A 100779 ©=2340654                             |
| MATERIAL                               |          | WEIGHT                      | RESTRICTED CUSTOMER                            |
|  |          | SCALE: 3:2                  | SHEET 2 OF 2 REV C                             |

# Mouser Electronics

Authorized Distributor

Click to View Pricing, Inventory, Delivery & Lifecycle Information:

[TE Connectivity:](#)

[2340654-4](#)