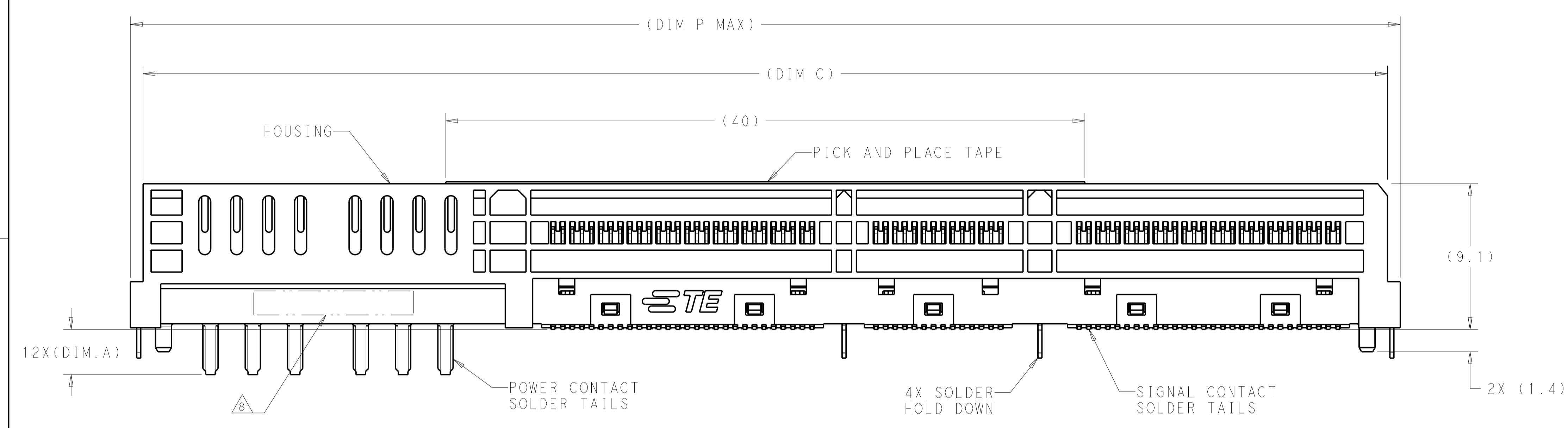
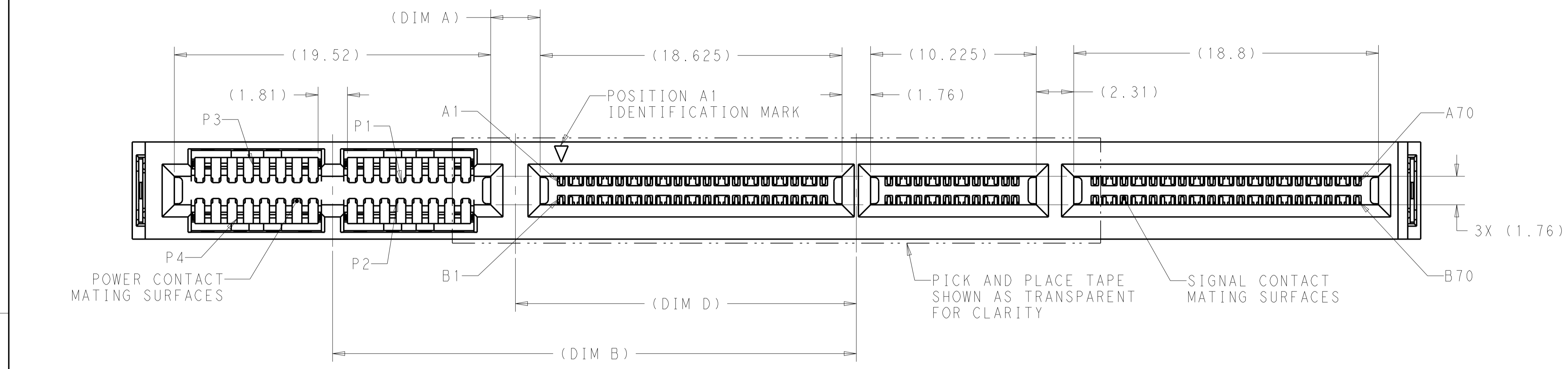
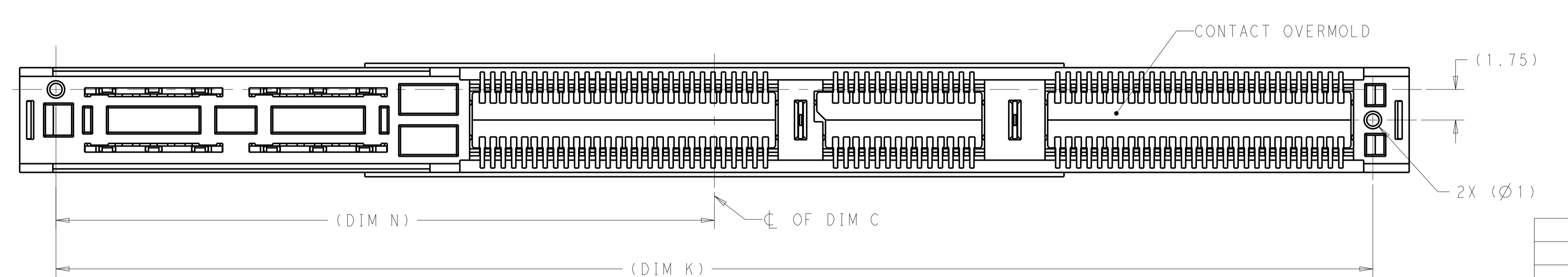
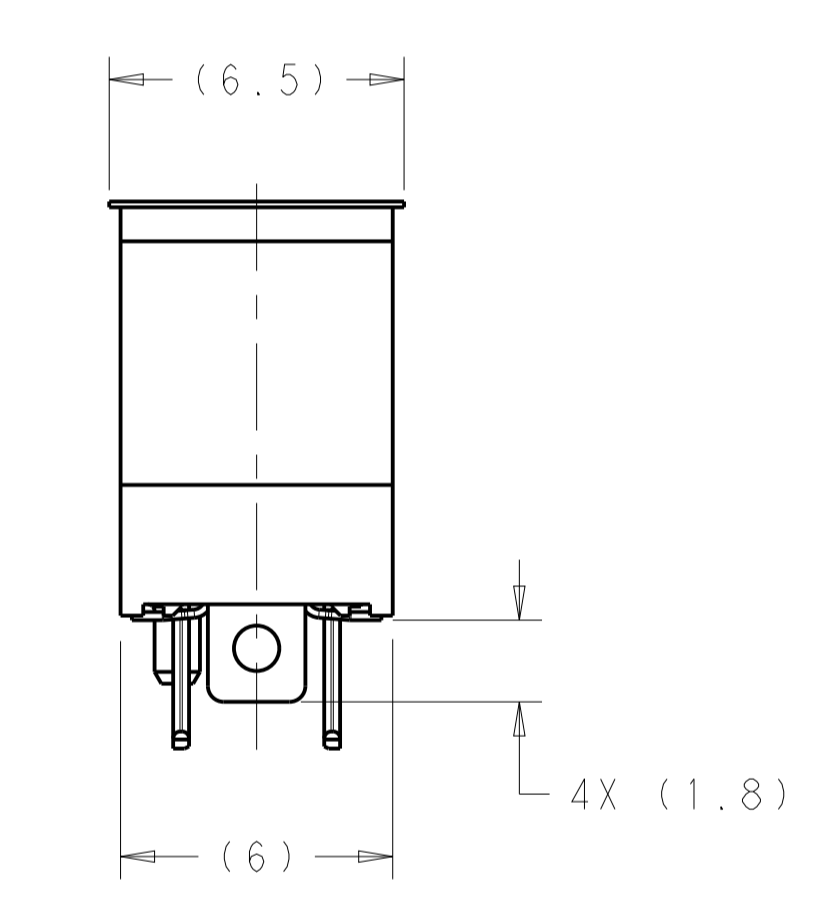


REVISIONS				
P	LTN	DESCRIPTION	DATE	APPD
A	RELEASED		20MAY2018	CJV JW
B	REVISED PER ECN-21-101549		15MAR2021	TX DZ



- ⚠ HOUSING AND CONTACT OVERMOLDS - LCP, UL94 V-0, BLACK. CONTACTS AND HOLD DOWNS - COPPER ALLOY. PICK AND PLACE TAPE - POLYIMIDE FILM.
- ⚠ CONTACTS - GOLD PLATE ON MATING SURFACES. TIN PLATE ON SOLDER TAILS. HOLD DOWNS - TIN PLATE.
- ⚠ DATUMS AND BASIC DIMENSIONS ESTABLISHED BY CUSTOMER.
- 4. MINIMUM HOST PCB THICKNESS: 1.5.
- ⚠ SEE MSA SPECIFICATION FOR ADDITIONAL PADDLE CARD LAYOUTS COMPATIBLE WITH THIS RECEPTACLE AND FOR OPTIONAL SPLIT CONTACT PAD LAYOUTS FOR THE PADDLE CARD. SPECIFICATION PINOUT MAY ALSO DESIGNATE PAD SEQUENCE DIFFERENT FROM ILLUSTRATION.
- ⚠ POSITIONS DESIGNATED AS "SIGNAL" ARE REQUIRED LOCATIONS FOR HIGH SPEED DIFFERENTIAL PAIR SIGNALING. THESE LOCATIONS MAY ALSO BE USED FOR SUPPORTING SIDEBAND SIGNALS OR OTHER UTILITY PURPOSES. POSITIONS DESIGNATED AS "GROUND" ARE REQUIRED WHEN SUPPORTING HIGH SPEED DIFFERENTIAL SIGNALS. THESE LOCATIONS MAY ALSO BE USED FOR SIDEBAND SIGNALS OR OTHER UTILITY PURPOSES.
- ⚠ COMPONENT AND TRACE KEEP OUT AREA. EACH EDGE 0.15 MIN FROM EDGE OF HOLE.
- ⚠ PART NUMBER AND DATE CODE MARKED IN APPROXIMATE AREA SHOWN.



21.57	5.385	74.76	80.74	38.17	4.57	77.89	76.34	55.86	43.6	58.31	45.6	25.39	21.53	78.89	33.31	4.05	48V
21.07	4.885	73.76	79.74	37.67	3.57	76.89	75.34	54.86	42.6	57.31	44.6	24.39	21.03	77.89	32.31	3.05	12V
T	S	R	P	N	M	L	K	J	H	G	F	E	D	C	B	A	VOLTAGE RATING

1.65	200	YES	HARD TRAY	12V	1-2338718-0
2.83	200	NO	HARD TRAY	48V	2338718-6
2.83	200	NO	HARD TRAY	12V	2338718-5
2.83	200	YES	HARD TRAY	48V	2338718-4
2.83	200	YES	HARD TRAY	12V	2338718-3
2.83	200	YES	SOFT TRAY	48V	2338718-2
2.83	200	YES	SOFT TRAY	12V	2338718-1
DIM.A	MATING CYCLES	PICK AND PLACE TAPE	PACKAGING	VOLTAGE RATING	PART NUMBER

THIS DRAWING IS A CONTROLLED DOCUMENT. OWN: C. VALENTINE, 22JUN2018; CHK: H. ANDREWS, 22JUN2018; APPD: H. ANDREWS, 22JUN2018.

**STE** TE Connectivity

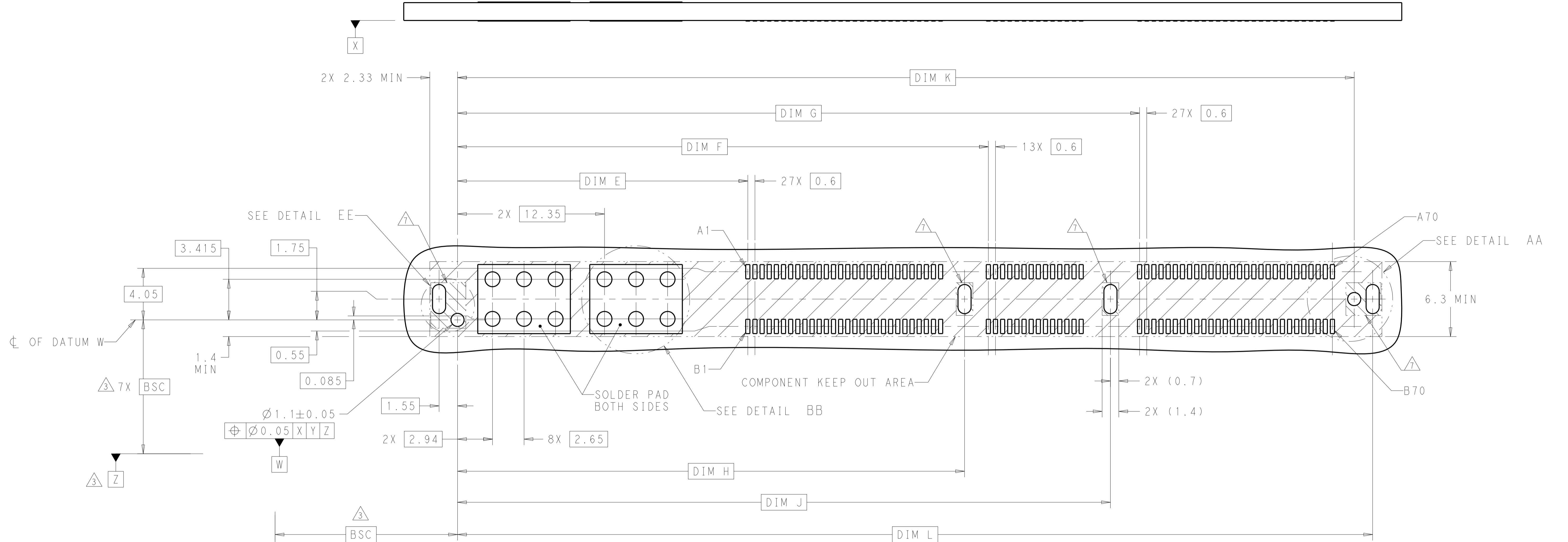
NAME: RECEPTACLE ASSEMBLY, 4C WITH HIGH POWER, SLIVER 2.0

SIZE: CAGE CODE DRAWING NO: A100779; DRAWING NO: C=2338718

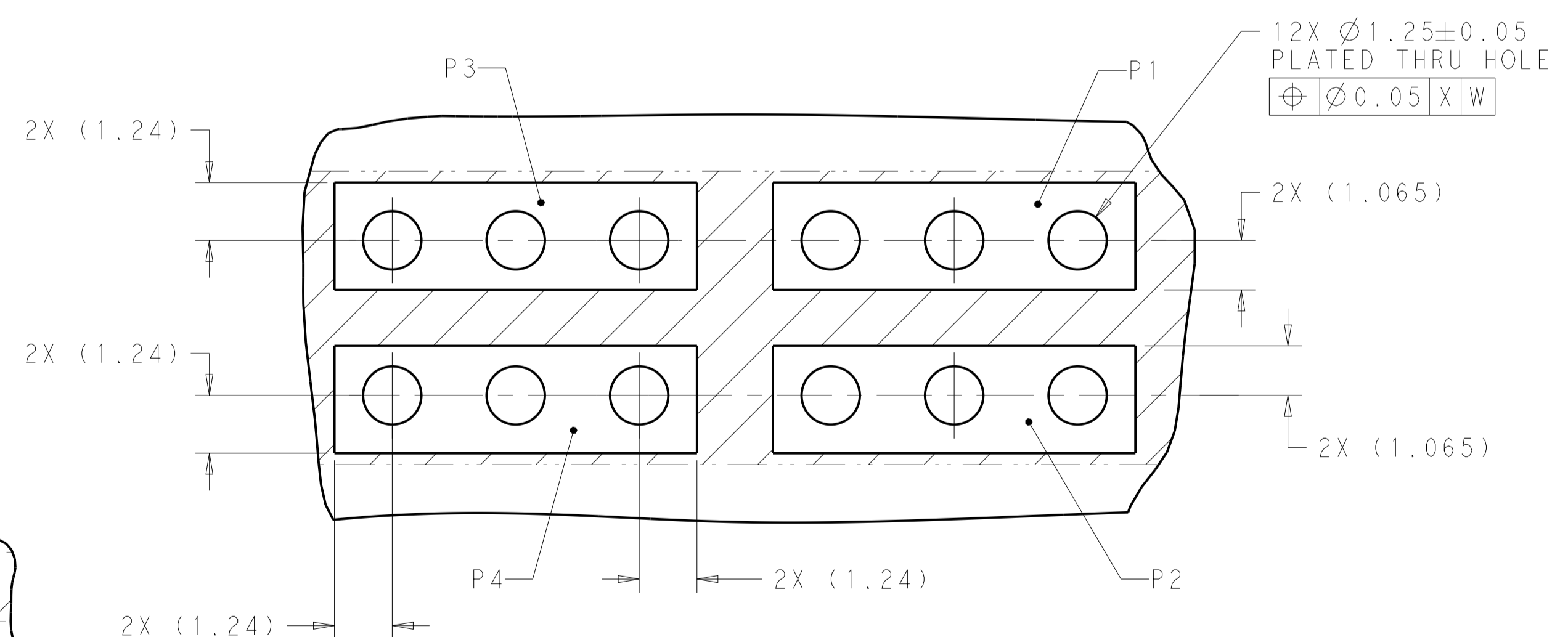
MATERIAL: FINISH: CUSTOMER DRAWING

SCALE: 6:1 SHEET 1 OF 4 REV B

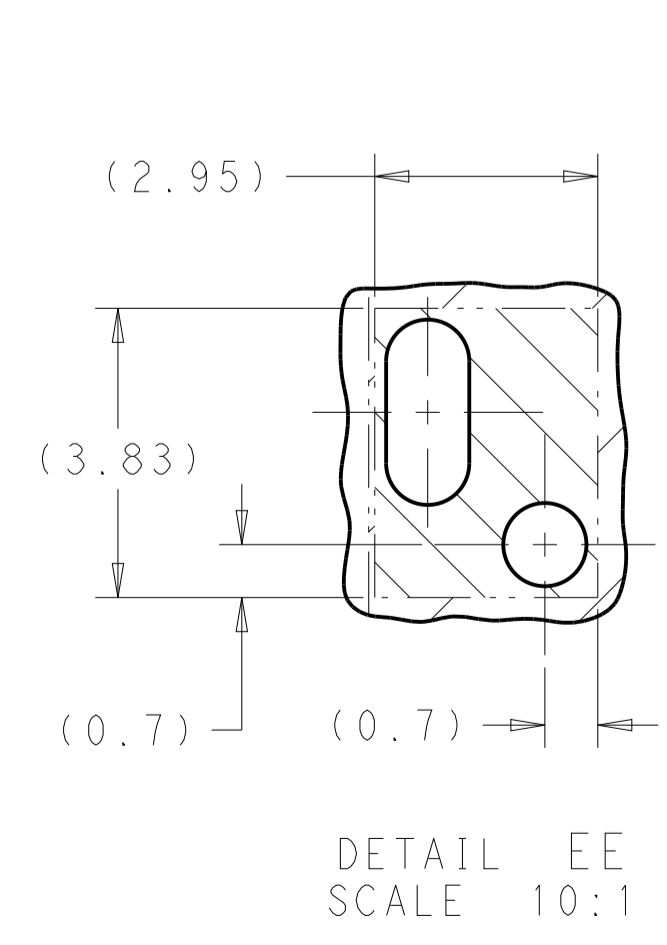
REVISIONS				
P.	LTN.	DESCRIPTION	DATE	DMN. APVD.
-	-	SEE SHEET 1	-	-



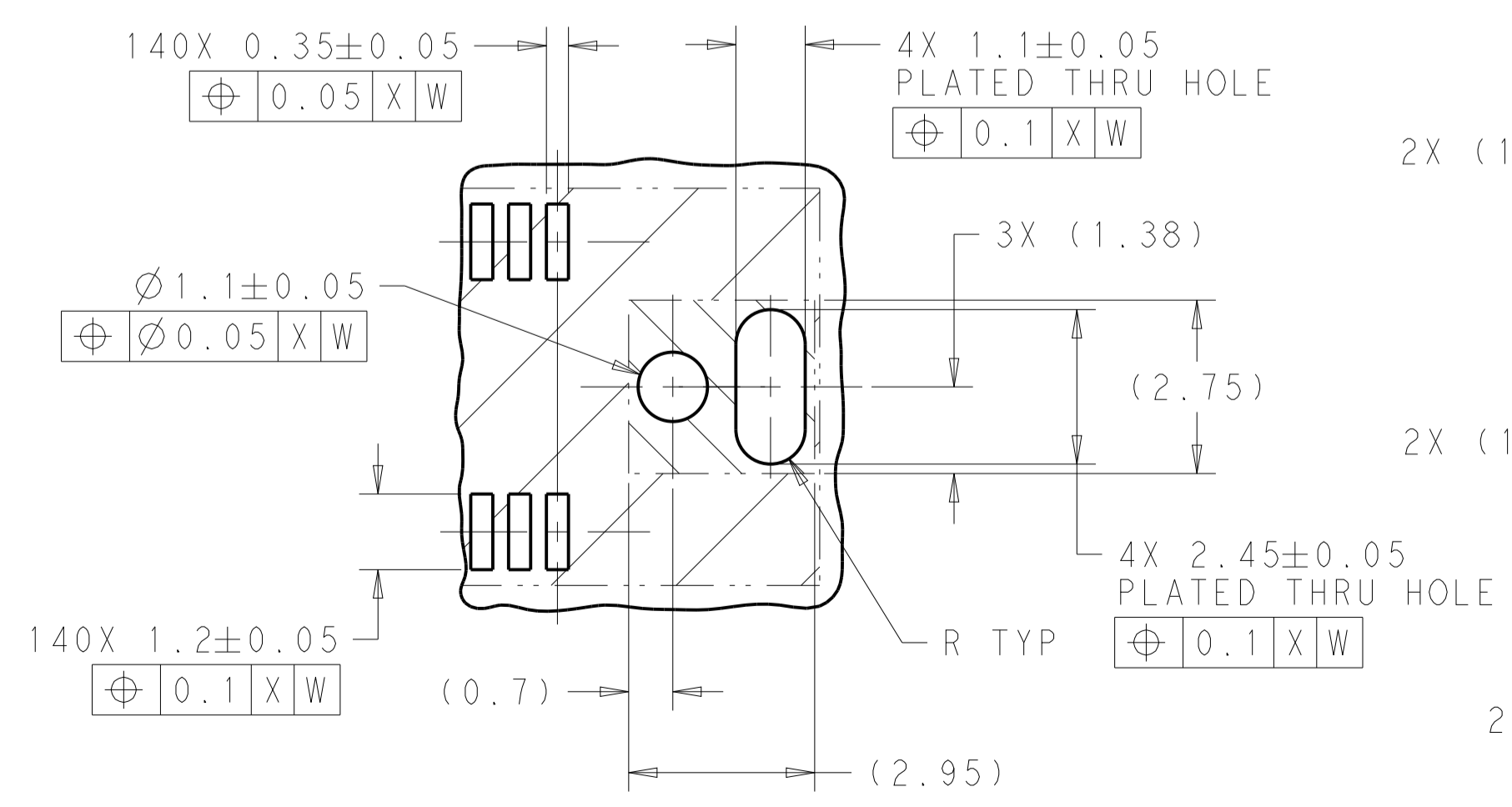
RECOMMENDED PCB LAYOUT AND KEEP OUT AREA



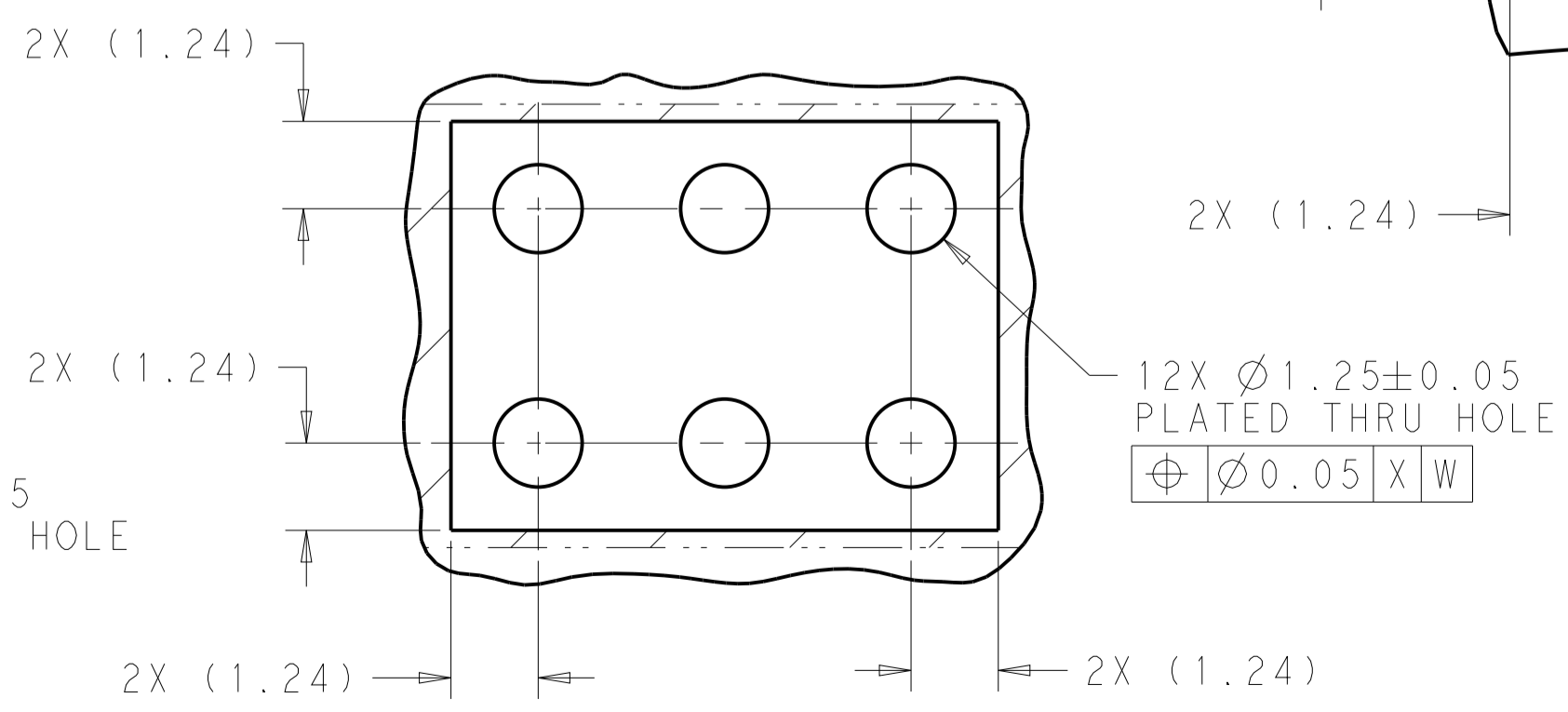
OPTIONAL LAYOUT FOR POWER MODULE SCALE 10:1



DETAIL EE SCALE 10:1



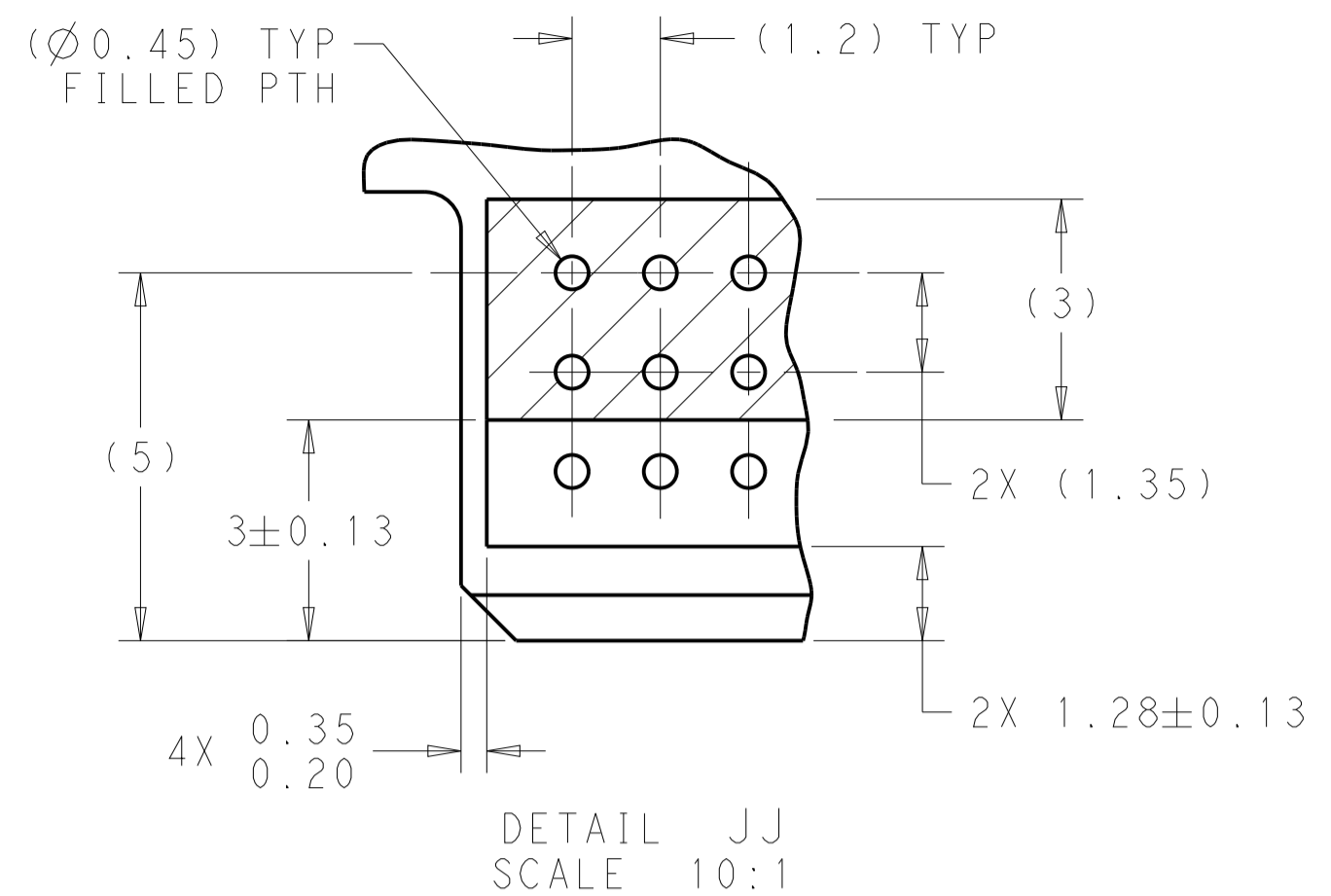
DETAIL AA SCALE 10:1



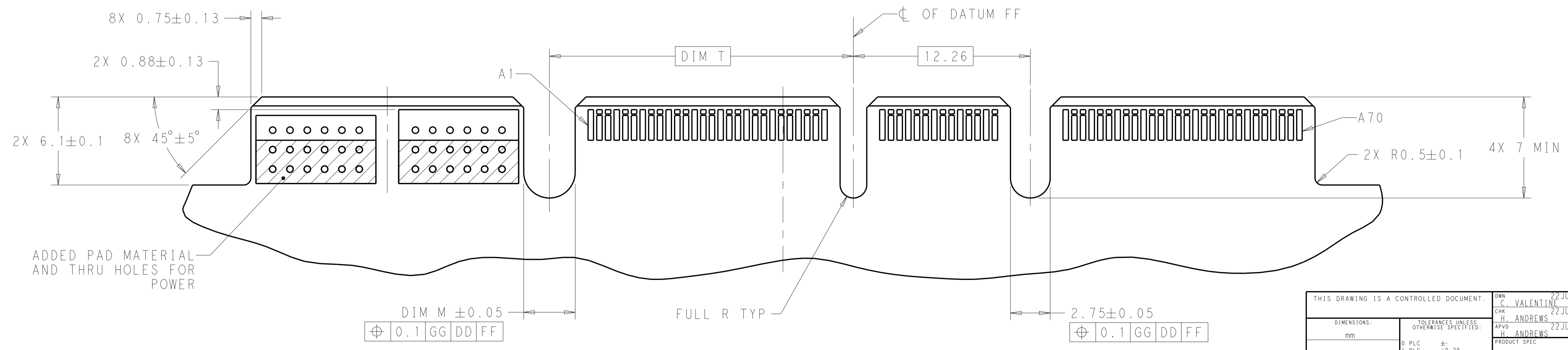
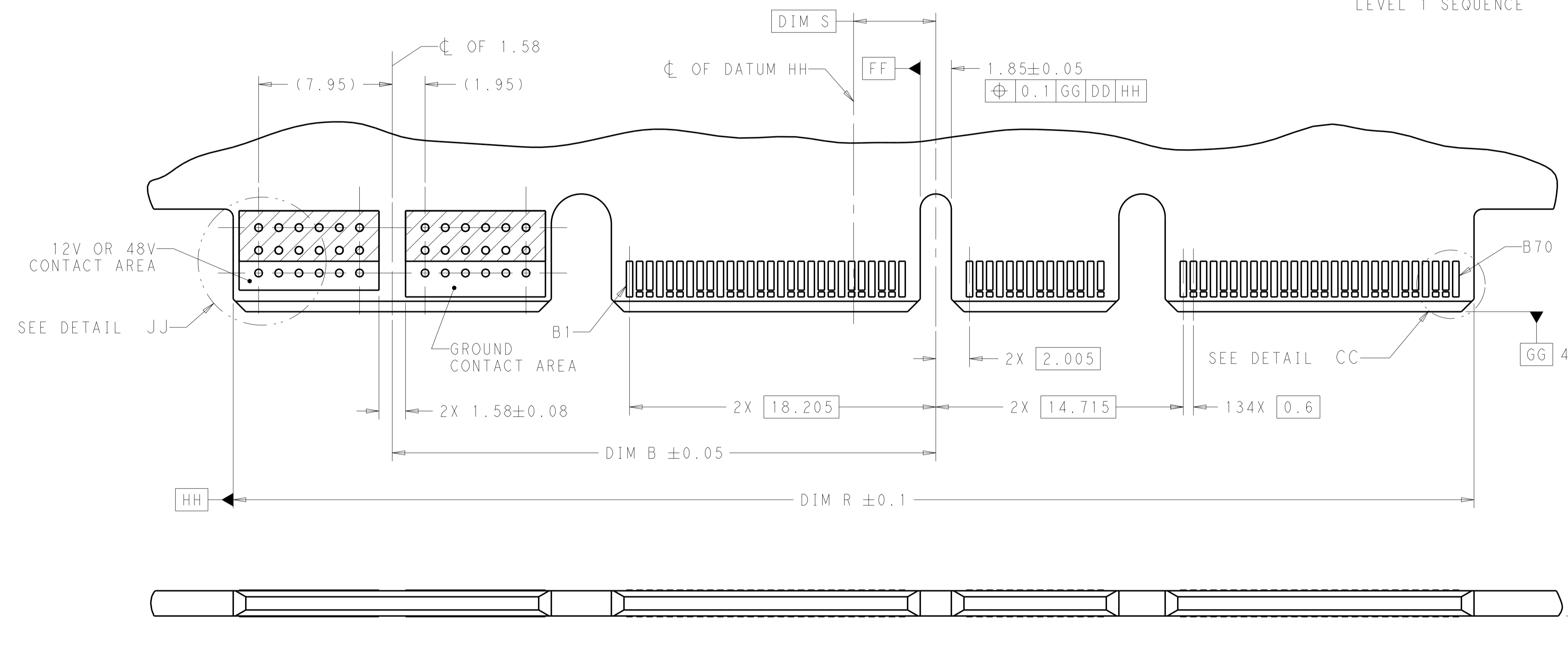
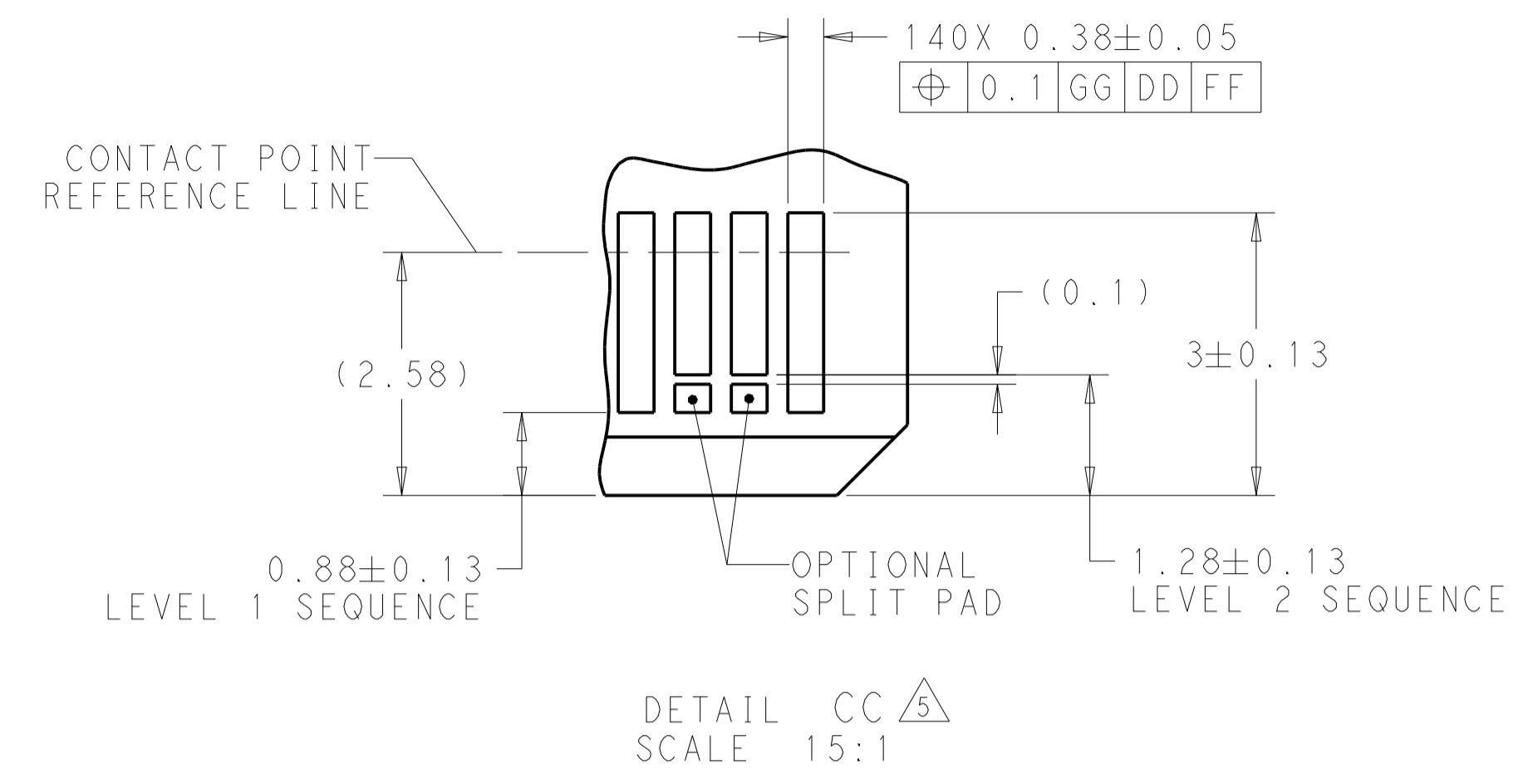
DETAIL BB SCALE 10:1

THIS DRAWING IS A CONTROLLED DOCUMENT.		DMN. C. VALENTINI 22JUN2018	TE Connectivity
DIMENSIONS: mm		CHK. H. ANDREWS 22JUN2018	
TOLERANCES UNLESS OTHERWISE SPECIFIED:		APVD. H. ANDREWS 22JUN2018	NAME RECEPTACLE ASSEMBLY, 4C WITH HIGH POWER, SLIVER 2.0
0 PLC ±0.20	1 PLC ±0.20	PRODUCT SPEC	APPLICATION SPEC
2 PLC ±0.20	3 PLC ±0.20	APPLIC. SPEC	SIZE CAGE CODE DRAWING NO. RESTRICTED TO
4 PLC ±0.20	5 PLC ±0.20	WEIGHT	A100779C=2338718
ANGLES ±0.1	FINISH	CUSTOMER DRAWING	SCALE 6:1 SHEET 2 OF 4 REV B

REVISIONS				
P.	LTN.	DESCRIPTION	DATE	APVD.
-	-	SEE SHEET 1	-	-



RECOMMENDED PCB OUTLINE DIMENSIONS.  
TOLERANCE VALUES ARE CRITICAL. PLEASE BE SURE TO DESIGNATE TOLERANCES TO PCB SUPPLIER TO ENSURE OPTIMIZED FUNCTIONALITY.

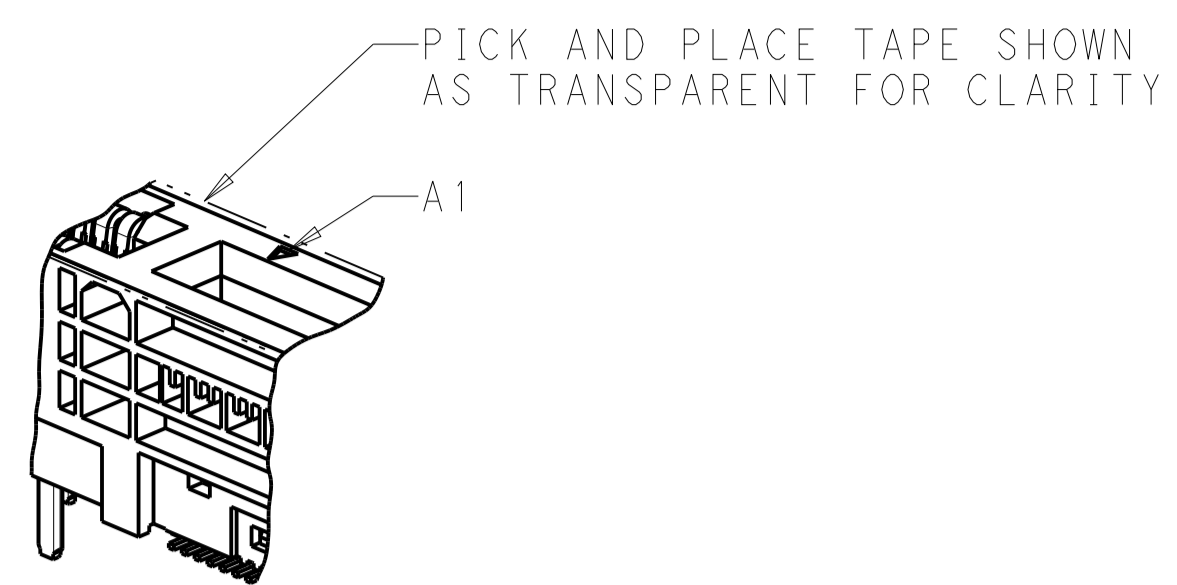


THIS DRAWING IS A CONTROLLED DOCUMENT.		DWN: C. VALENTINE 22JUN2018	 TE Connectivity
DIMENSIONS: mm		CHK: H. ANDREWS 22JUN2018	
TOLERANCES UNLESS OTHERWISE SPECIFIED:		APVD: H. ANDREWS 22JUN2018	NAME: RECEPTACLE ASSEMBLY, 4C WITH HIGH POWER, SLIVER 2.0 SIZE: A1 CAGE CODE: 00779 DRAWING NO: 2338718 RESTRICTED TO:
0 PLC ±0.20 1 PLC ±0.20 2 PLC ±0.20 3 PLC ±0.20 4 PLC ±0.20 ANGLES ±0.20		PRODUCT SPEC: APPLICATION SPEC: WEIGHT: CUSTOMER DRAWING	
MATERIAL:		SCALE: 6:1	SHEET: 3 OF 4
FINISH:		REV: B	

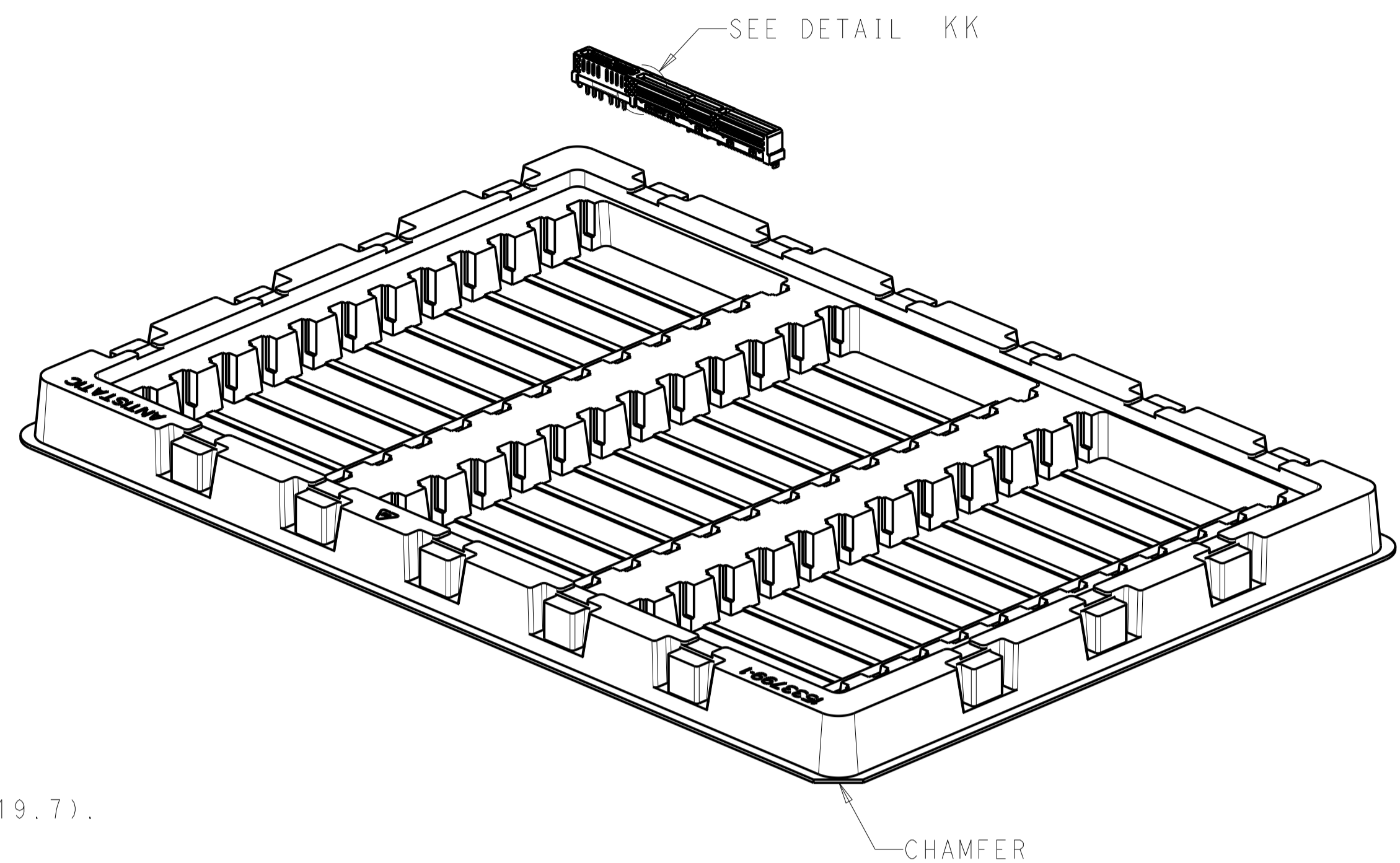
REVISIONS				
P.	LTN	DESCRIPTION	DATE	APVD
-	-	SEE SHEET 1	-	-

CONTACT NUMBER	SIDE A	SIDE B
1	GROUND	GROUND
2	SIGNAL	SIGNAL
3	SIGNAL	SIGNAL
4	GROUND	GROUND
5	SIGNAL	SIGNAL
6	SIGNAL	SIGNAL
7	GROUND	GROUND
8	SIGNAL	SIGNAL
9	SIGNAL	SIGNAL
10	GROUND	GROUND
11	SIGNAL	SIGNAL
12	SIGNAL	SIGNAL
13	GROUND	GROUND
14	SIGNAL	SIGNAL
15	SIGNAL	SIGNAL
16	GROUND	GROUND
17	SIGNAL	SIGNAL
18	SIGNAL	SIGNAL
19	GROUND	GROUND
20	SIGNAL	SIGNAL
21	SIGNAL	SIGNAL
22	GROUND	GROUND
23	SIGNAL	SIGNAL
24	SIGNAL	SIGNAL
25	GROUND	GROUND
26	SIGNAL	SIGNAL
27	SIGNAL	SIGNAL
28	GROUND	GROUND
29	GROUND	GROUND
30	SIGNAL	SIGNAL
31	SIGNAL	SIGNAL
32	GROUND	GROUND
33	SIGNAL	SIGNAL
34	SIGNAL	SIGNAL
35	GROUND	GROUND

CONTACT NUMBER	SIDE A	SIDE B
36	SIGNAL	SIGNAL
37	SIGNAL	SIGNAL
38	GROUND	GROUND
39	SIGNAL	SIGNAL
40	SIGNAL	SIGNAL
41	GROUND	GROUND
42	GROUND	GROUND
43	GROUND	GROUND
44	SIGNAL	SIGNAL
45	SIGNAL	SIGNAL
46	GROUND	GROUND
47	SIGNAL	SIGNAL
48	SIGNAL	SIGNAL
49	GROUND	GROUND
50	SIGNAL	SIGNAL
51	SIGNAL	SIGNAL
52	GROUND	GROUND
53	SIGNAL	SIGNAL
54	SIGNAL	SIGNAL
55	GROUND	GROUND
56	SIGNAL	SIGNAL
57	SIGNAL	SIGNAL
58	GROUND	GROUND
59	SIGNAL	SIGNAL
60	SIGNAL	SIGNAL
61	GROUND	GROUND
62	SIGNAL	SIGNAL
63	SIGNAL	SIGNAL
64	GROUND	GROUND
65	SIGNAL	SIGNAL
66	SIGNAL	SIGNAL
67	GROUND	GROUND
68	SIGNAL	SIGNAL
69	SIGNAL	SIGNAL
70	GROUND	GROUND



DETAIL KK  
SCALE 4:1

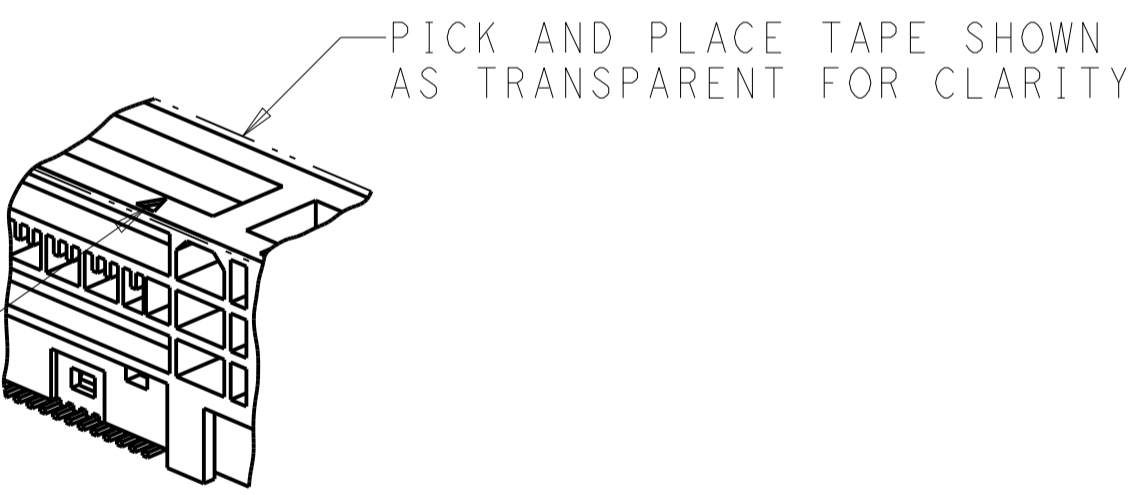
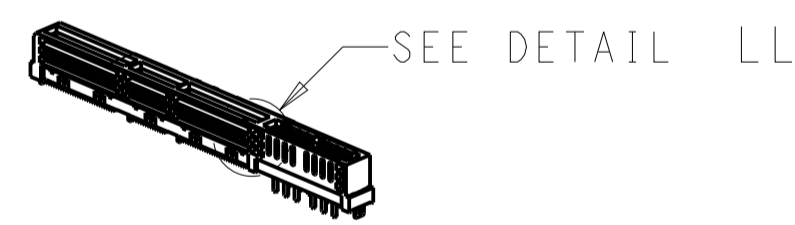


SOFT TRAY

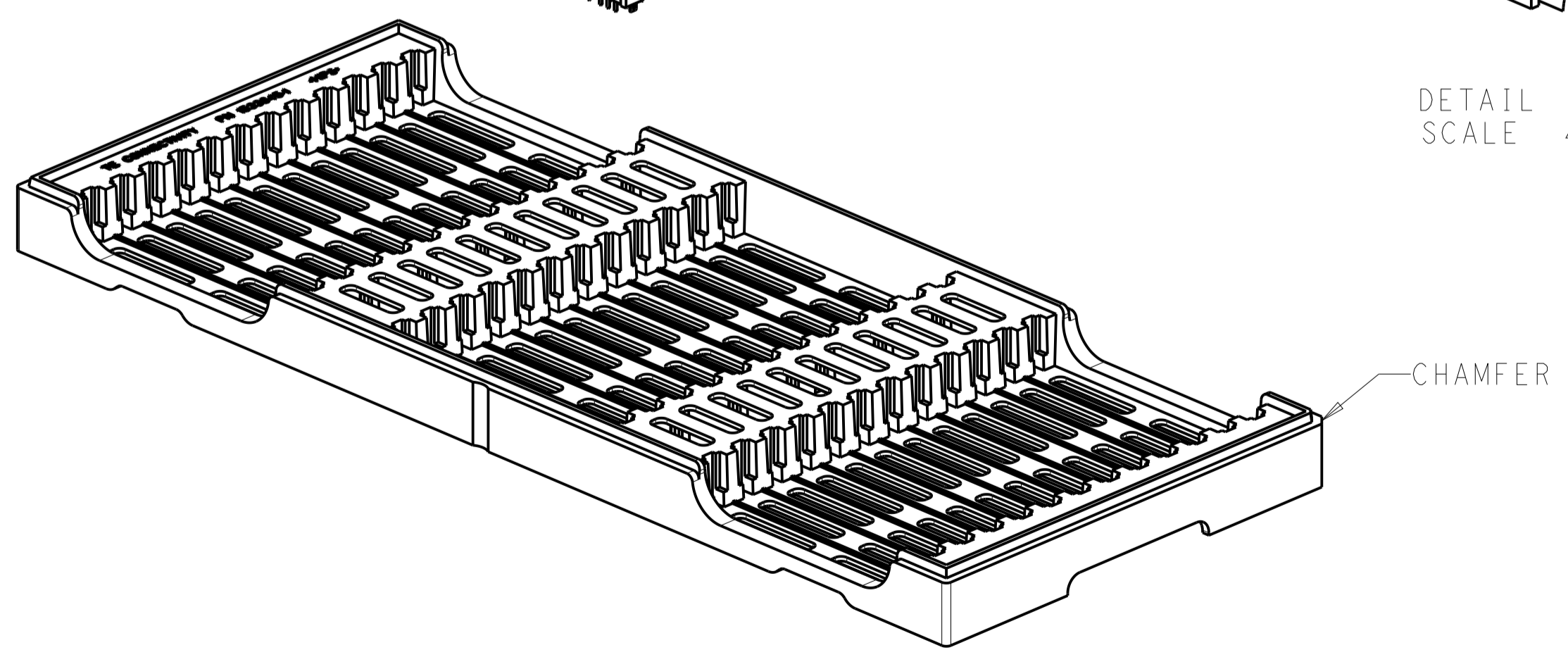
- DIMENSIONS:  
TRAY L= (335), W= (230), H= (19.7).
- QUANTITY:  
36 PIECES PER TRAY.  
720 PIECES PER BOX.

FIGURE 1  
SOFT TRAY PACKAGING  
2338718-1 AND 2338718-2  
SCALE 3:4

CONNECTOR CONTACT IDENTIFICATION



DETAIL LL  
SCALE 4:1



HARD TRAY

- MATERIAL:  
TRAY- HIPS, COLOR: BLACK.  
BOX- CORRUGATED FIBERBOARD.  
TRANSPARENT BAG- PE.
- DIMENSIONS:  
TRAY- L= 330, W= 136, H= 17.5.  
BOX- L= 13.75 IN, W= 11.75 IN, H= 5.75 IN.
- QUANTITY:  
36 PIECES PER TRAY.  
432 PIECES PER BOX.

FIGURE 2  
HARD TRAY PACKAGING  
2338718-3 TO 1-2338718-0  
SCALE 3:4

THIS DRAWING IS A CONTROLLED DOCUMENT.		OWN C. VALENTINE 22JUN2018	TE Connectivity
DIMENSIONS:		CHK H. ANDREWS 22JUN2018	
mm	0 PLC ±	APVD H. ANDREWS 22JUN2018	NAME RECEPTACLE ASSEMBLY, 4C WITH HIGH POWER, SLIVER 2.0
	1 PLC ±0.20	PRODUCT SPEC	SIZE
	2 PLC ±0.20	APPLICATION SPEC	CAGE CODE
MATERIAL	3 PLC ±	WEIGHT	DRAWING NO
FINISH	4 PLC ±	CUSTOMER DRAWING	A100779C=2338718
		RESTRICTED TO	
		SCALE	6:1
		SHEET	4 OF 4
		REV	B

# Mouser Electronics

Authorized Distributor

Click to View Pricing, Inventory, Delivery & Lifecycle Information:

[TE Connectivity:](#)

[2338718-1](#)