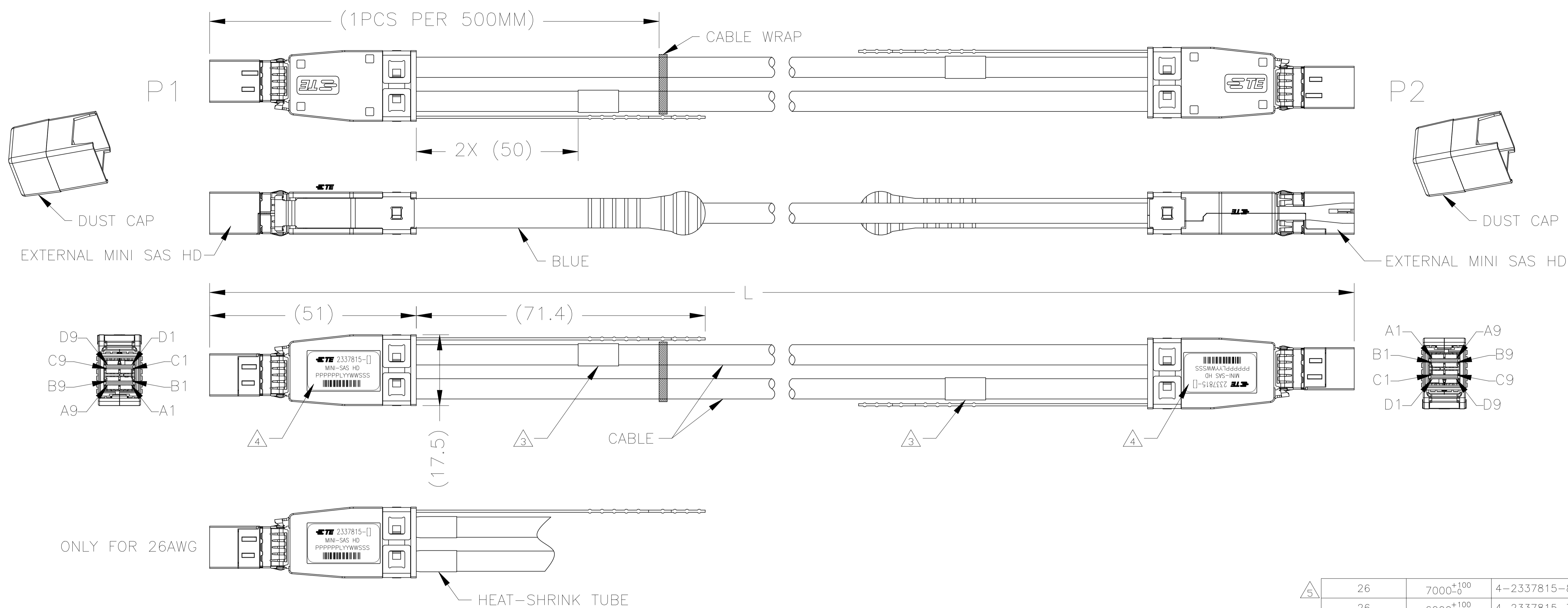
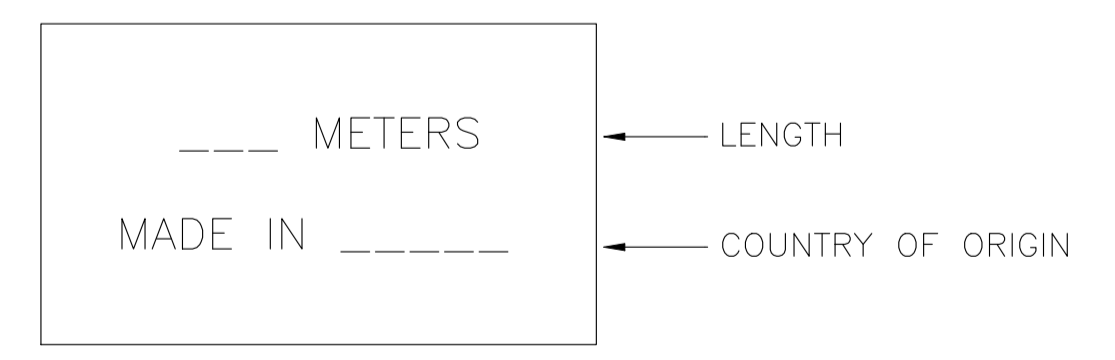


| REVISIONS | | | | |
|-----------|-----|----------------------|-----------|---------|
| P | LTR | DESCRIPTION | DATE | APPRO |
| A2 | | ADDED 2-2337815-7 PN | 23AUG2021 | VK GL |



1. ASSEMBLY TESTED FOR CONTINUITY, OPENS, SHORTS, EEPROM PROGRAM AND SIGNAL INTEGRITY.
2. ROHS AND REACH COMPLIANCE: PRODUCT AND PROCESSING MUST MEET REQUIREMENTS OF TE SPECIFICATION TEC-138-702.

3 LABEL INFORMATION:



4 LABEL INFORMATION:



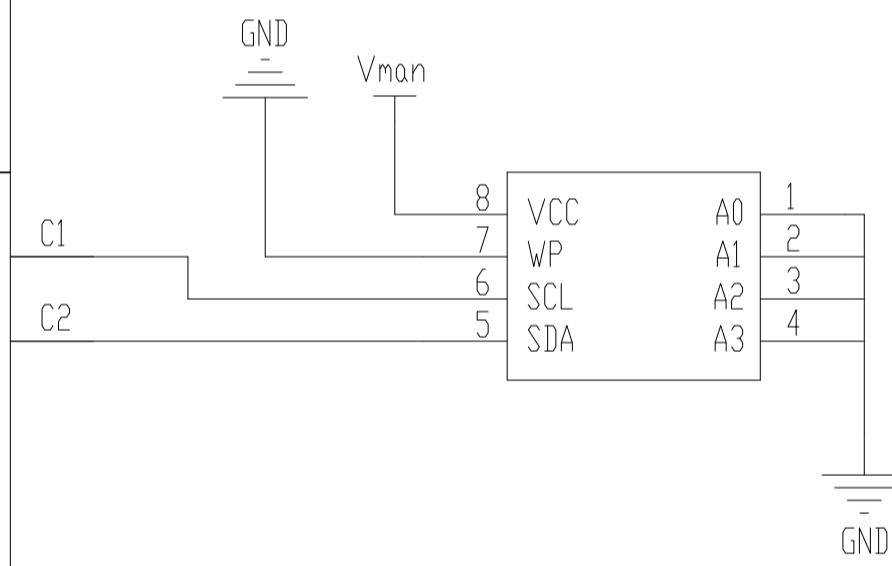
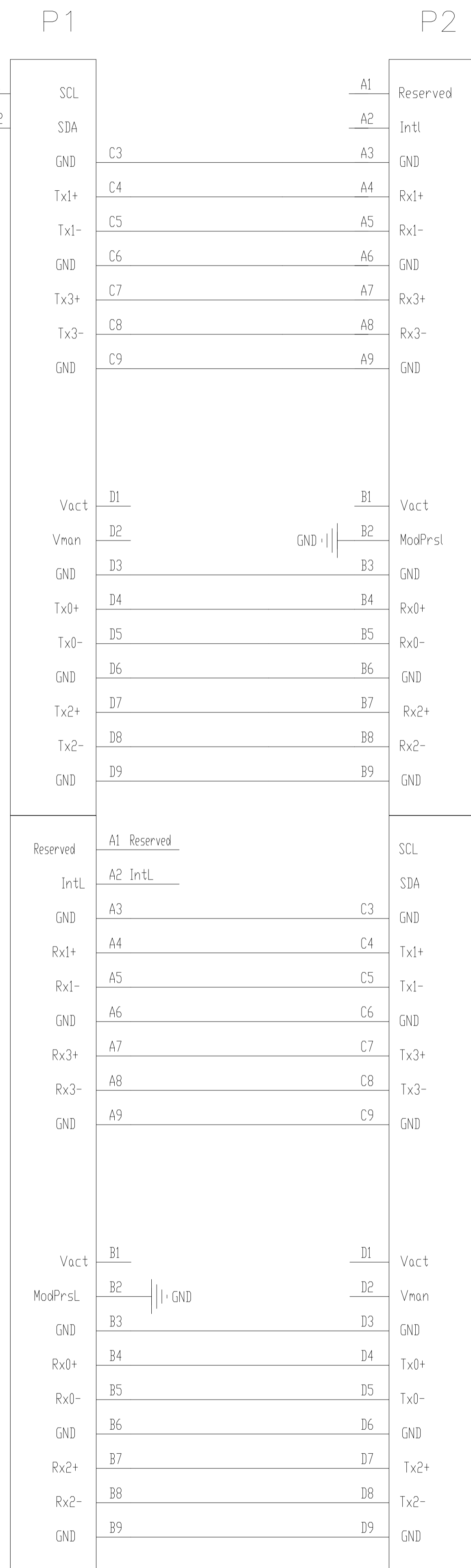
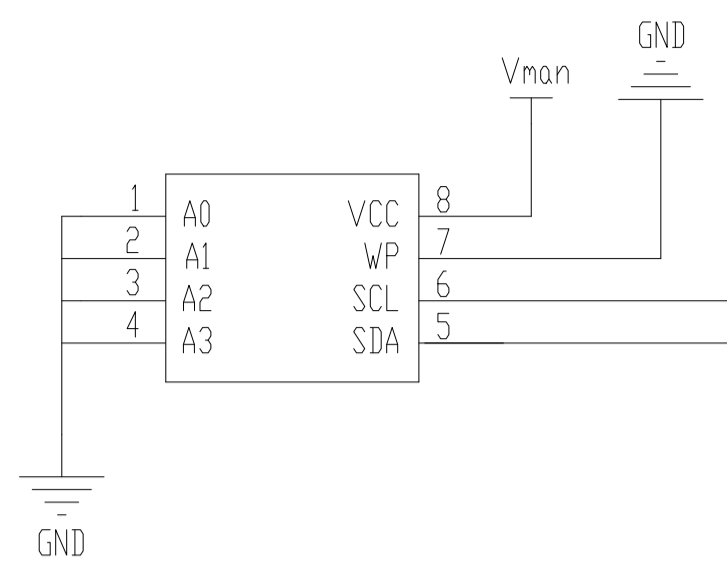
5 4-2337815-8 CAN NOT MEET SI SPECIFICATION OF SAS3.0.


| AWG | L | PART NO. |
|-----|------------------------------------|-------------|
| 26 | 7000 ⁺¹⁰⁰ ₋₀ | 4-2337815-8 |
| 26 | 6000 ⁺¹⁰⁰ ₋₀ | 4-2337815-7 |
| 26 | 5000 ⁺¹⁰⁰ ₋₀ | 4-2337815-6 |
| 26 | 4000 ⁺⁸⁰ ₋₀ | 4-2337815-5 |
| 26 | 3000 ⁺⁸⁰ ₋₀ | 4-2337815-4 |
| 26 | 2000 ⁺⁸⁰ ₋₀ | 4-2337815-3 |
| 26 | 1000 ⁺⁵⁰ ₋₀ | 4-2337815-2 |
| 26 | 500 ⁺⁵⁰ ₋₀ | 4-2337815-1 |
| 28 | 3500 ⁺⁸⁰ ₋₀ | 2-2337815-7 |
| 28 | 5000 ⁺¹⁰⁰ ₋₀ | 2-2337815-6 |
| 28 | 4000 ⁺⁸⁰ ₋₀ | 2-2337815-5 |
| 28 | 3000 ⁺⁸⁰ ₋₀ | 2-2337815-4 |
| 28 | 2000 ⁺⁸⁰ ₋₀ | 2-2337815-3 |
| 28 | 1000 ⁺⁵⁰ ₋₀ | 2-2337815-2 |
| 28 | 500 ⁺⁵⁰ ₋₀ | 2-2337815-1 |
| 30 | 3000 ⁺⁸⁰ ₋₀ | 2337815-4 |
| 30 | 2000 ⁺⁸⁰ ₋₀ | 2337815-3 |
| 30 | 1000 ⁺⁵⁰ ₋₀ | 2337815-2 |
| 30 | 500 ⁺⁵⁰ ₋₀ | 2337815-1 |
| AWG | L | PART NO. |

THIS DRAWING IS A CONTROLLED DOCUMENT.

| | | | | | |
|-------------|--|---------------------------------------|-----------|--|---------------|
| DIMENSIONS: | TOLERANCES UNLESS OTHERWISE SPECIFIED: | DIN | 05JUN2018 | TE Connectivity Ltd. | |
| mm | 0. PLC ± - 1. PLC ± - 2. PLC ± - 3. PLC ± - 4. PLC ± - ANGLES ± - | CHK | 05JUN2018 | | |
| MATERIAL | FINISH | APPRO | 05JUN2018 | NAME | |
| | | KYLIN YAO KYLIN YAO DAVID ZHANG | | MINI SAS HD TO MINI SAS HD 4X PRODUCT SPEC | |
| | | SIZE | CAGE CODE | DRAWING NO | RESTRICTED TO |
| | | A1 | 00779 | 2337815 | |
| | | CUSTOMER DRAWING | | SCALE | SHEET |
| | | | | 1:1 | 1 OF 2 |
| | | | | REV | A2 |

| REVISIONS | | | | |
|-----------|-----|-------------|------|-------|
| P | LTR | DESCRIPTION | DATE | APP'D |
| - | - | SEE SHEET 1 | - | - |



| | | | |
|--|--|----------------------------|--|
| THIS DRAWING IS A CONTROLLED DOCUMENT. | | DIN KYLIN YAO 05JUN2018 |  TE Connectivity Ltd. |
| | | CHK KYLIN YAO 5JUN2018 | |
| DIMENSIONS: mm | | AP'D DAVID ZHANG 5JUN2018 | NAME |
| TOLERANCES UNLESS OTHERWISE SPECIFIED: | | MINI SAS HD TO MINI SAS HD | |
| 0. PLC ± - | | 4X | |
| 1. PLC ± - | | - | |
| 2. PLC ± - | | - | |
| 3. PLC ± - | | - | |
| 4. PLC ± - | | - | |
| ANGLES ± - | | - | |
| MATERIAL - | | SIZE A1 | RESTRICTED TO |
| FINISH - | | CAGE CODE 00779 | DRAWING NO. 2337815 |
| | | WEIGHT - | CUSTOMER DRAWING |
| | | SCALE 1:1 | SHEET 2 OF 2 REV A2 |

Mouser Electronics

Authorized Distributor

Click to View Pricing, Inventory, Delivery & Lifecycle Information:

[TE Connectivity:](#)

[4-2337815-1](#)