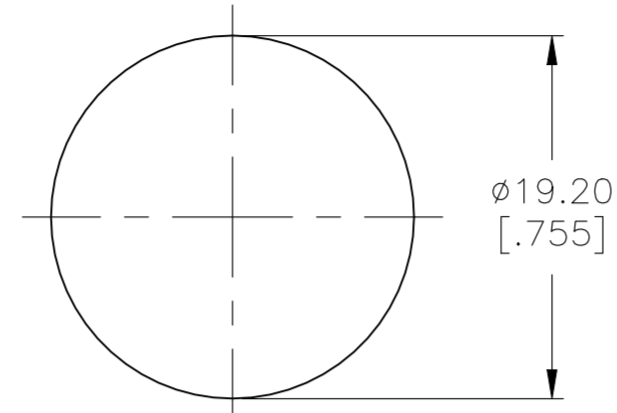
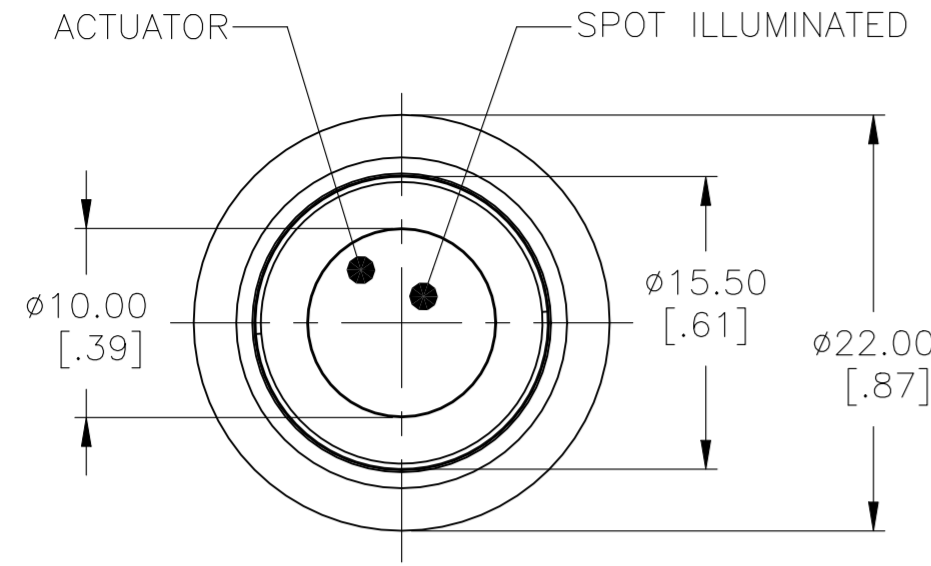


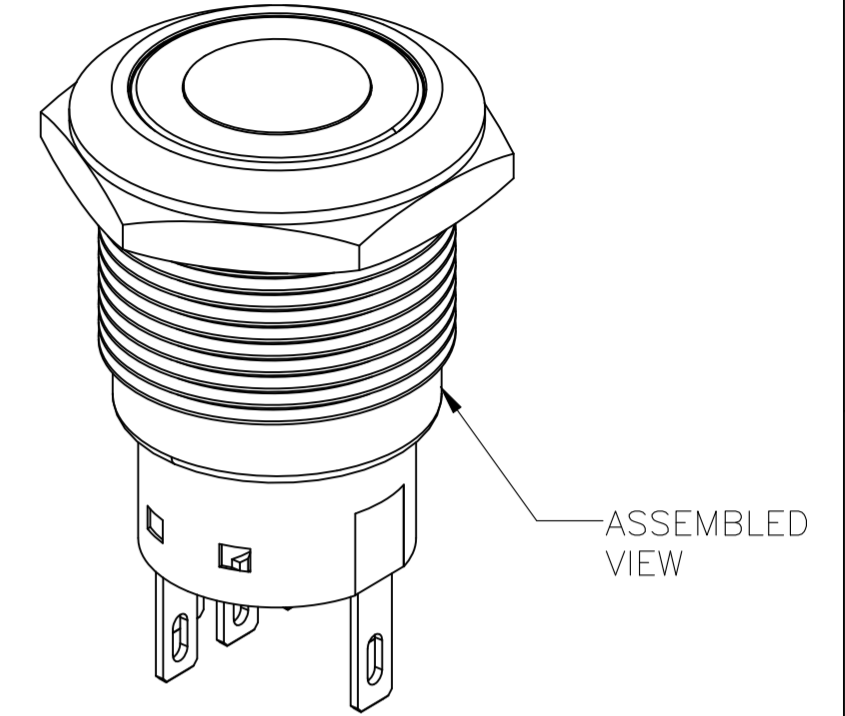
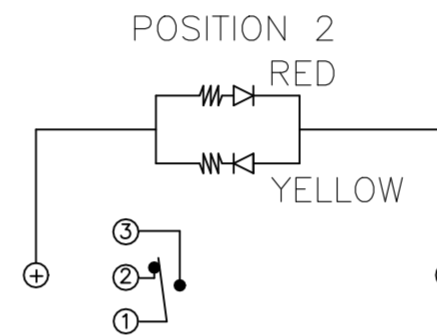
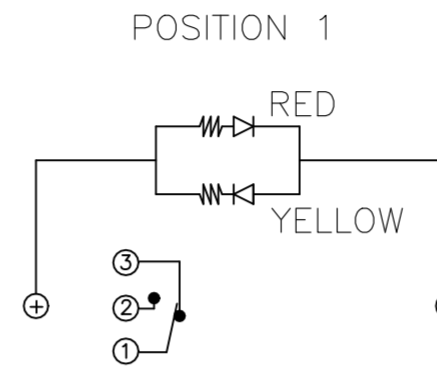
THIS DRAWING IS UNPUBLISHED. RELEASED FOR PUBLICATION  
 © COPYRIGHT - TE Connectivity ALL RIGHTS RESERVED.

REVISIONS					
P	LTR	DESCRIPTION	DATE	DWN	APVD
A1		ECO-21-006709	18JUN2021	RK	AS

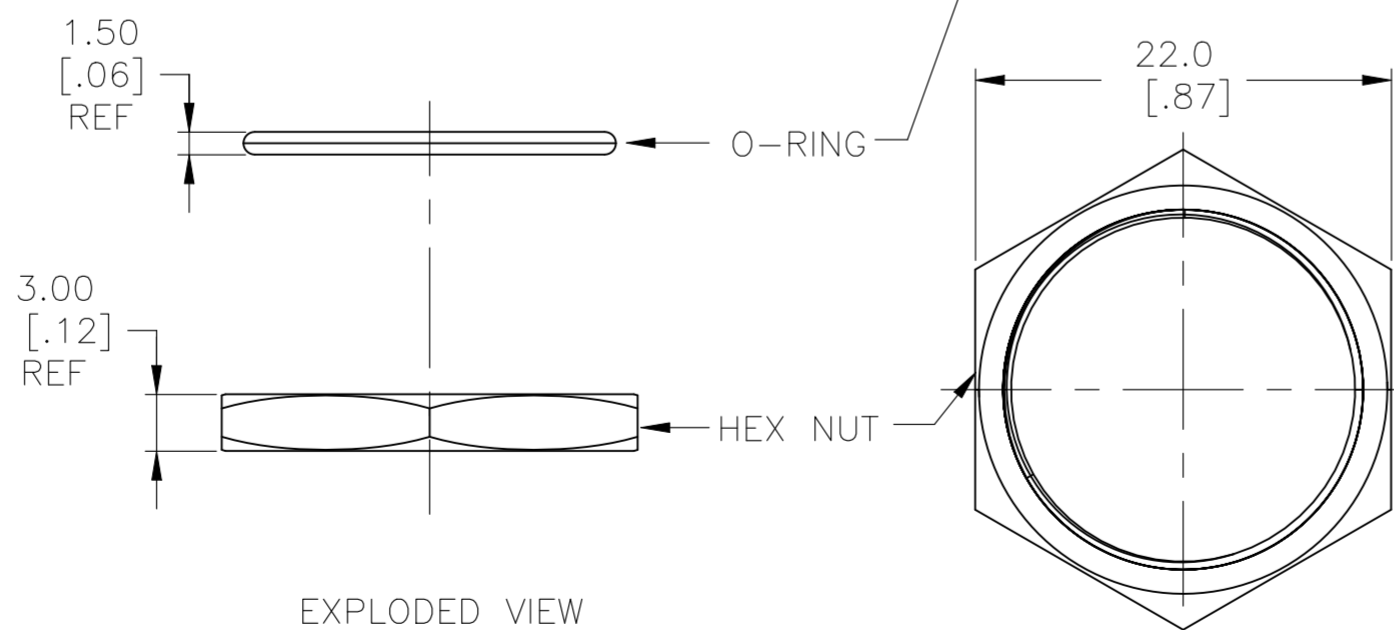
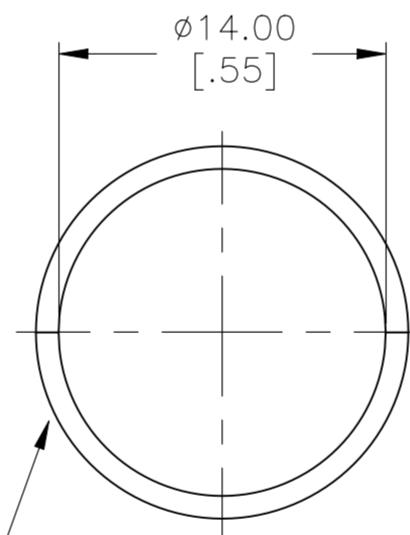
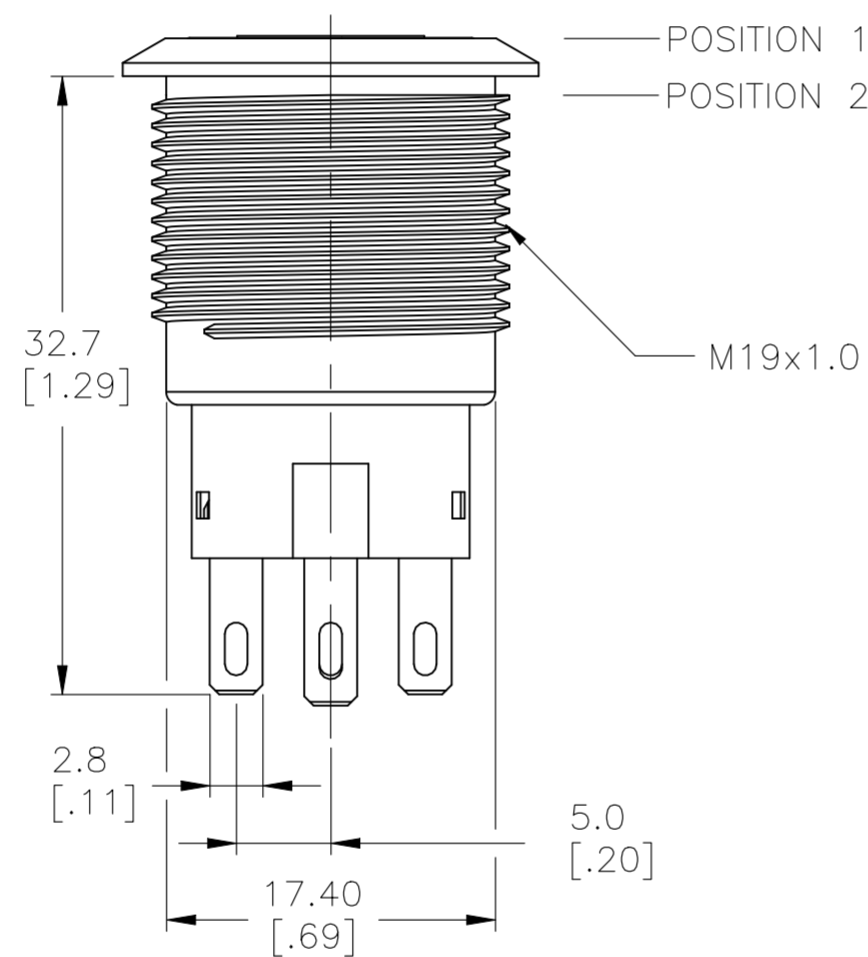
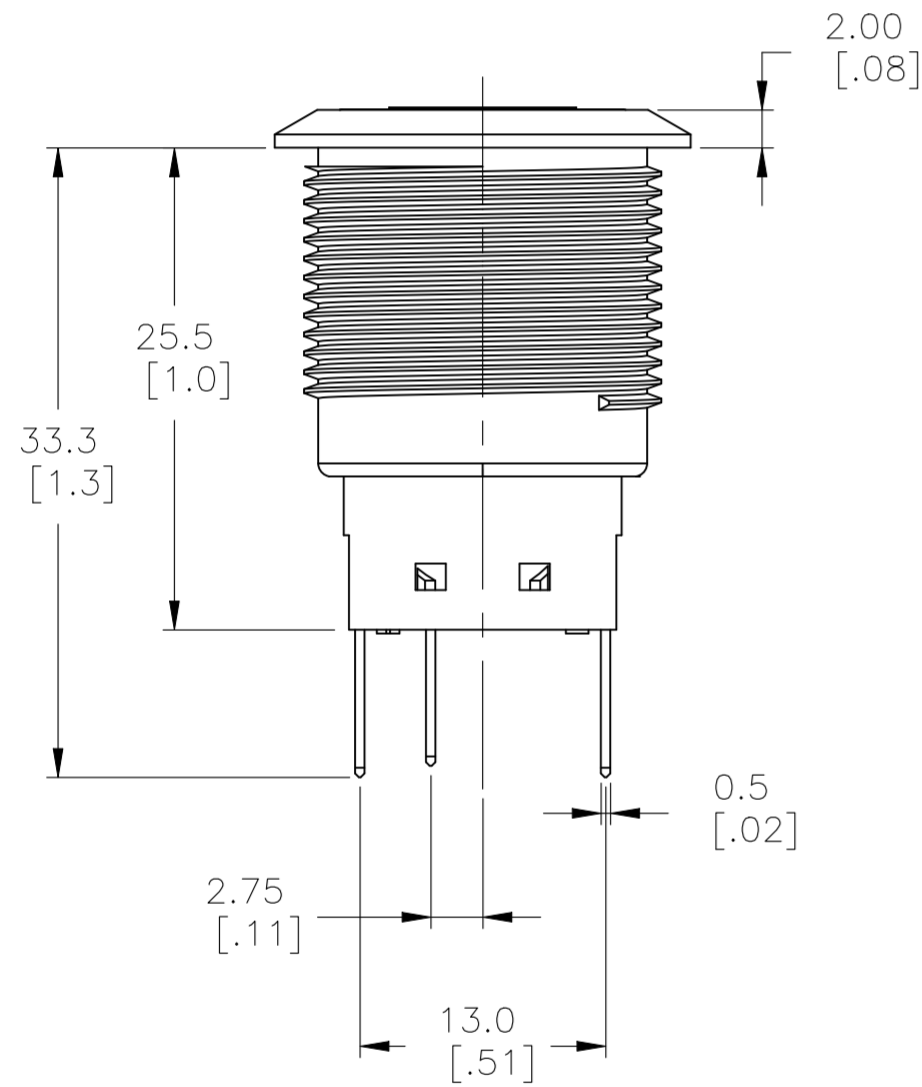
### SINGLE POLE SWITCH WITH DUAL COLOR LED's



PANEL CUTOUT  
 MAX.PANEL THICKNESS: 10.00[.394]



ASSEMBLED VIEW



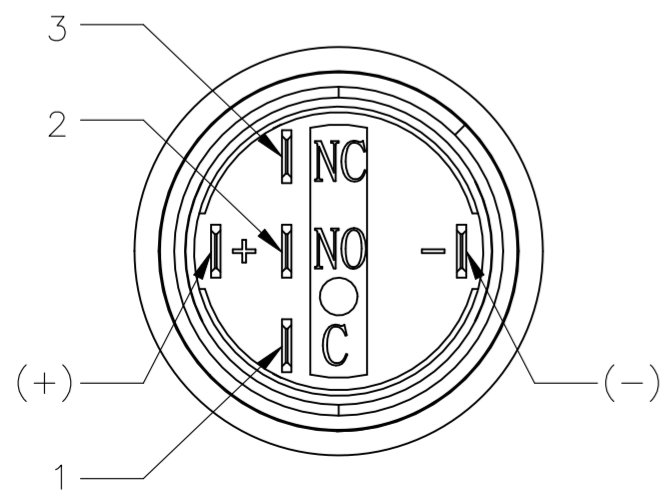
EXPLODED VIEW

**SPECIFICATION:**  
 CONTACT RATING: SILVER; 3A @ 250VAC RESISTIVE  
 GOLD; 0.4A @ 20VDC OR PEAK AC  
 INSULATION RESISTANCE: 1,000MΩ MIN AT 500VDC  
 DIELECTRIC STRENGTH: 2,000V RMS @ SEA LEVEL  
 CONTACT RESISTANCE: 50mΩ MAX @ 1A 12VDC (INITIAL VALUE), SOLDER TERMINALS  
 100mΩ MAX @ 1A 12VDC (INITIAL VALUES), FLYING LEADS.  
 ELECTRICAL LIFE CYCLES: 50,000 MAKE AND BREAK CYCLES AT FULL LOAD.  
 ACTUATION FORCE: SP: 2.5±1 N, DP: 3.5±1 N  
 ACTUATION TRAVEL: APPROXIMATELY 3.2mm  
 SEALED PER IP67, IK10  
 OPERATING TEMPERATURE: -20°C TO +55°C  
 MECHANICAL LIFECYCLES: MOMENTARY; 1,000,000 CYCLES  
 LOCKING; 500,000 CYCLES  
 HARDWARE TORQUE: 5-14 N-m.

**MATERIALS**

BUSHING: STAINLESS STEEL,  
 BASE: PBT (UL 94-V0), PC (UL 94-V2),  
 ACTUATOR: STAINLESS STEEL, PC  
 O-RING: SILICONE,  
 TERMINAL/CONTACT: COPPER BASE, SILVER/GOLD PLATED,  
 HEX NUT: BRASS BASE, NICKEL PLATED,  
 WIRE:UL3385.  
 INNER ASSEMBLY: POM/PA66  
 SPRING: SPRING STEEL  
 SEALING: SILICONE

1. ALL MATERIAL AND FINISHES SHALL COMPLY WITH EU DIRECTIVE 2002/95/EC OF 27JAN2003(ROHS).



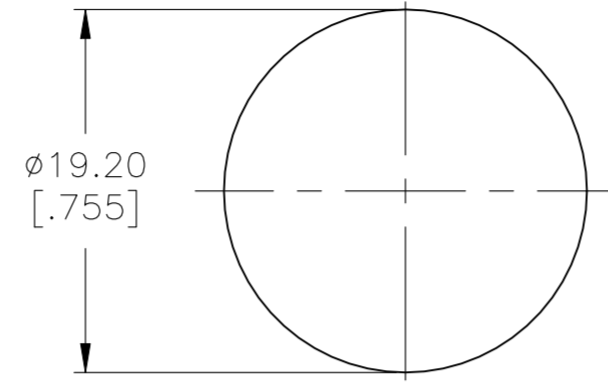
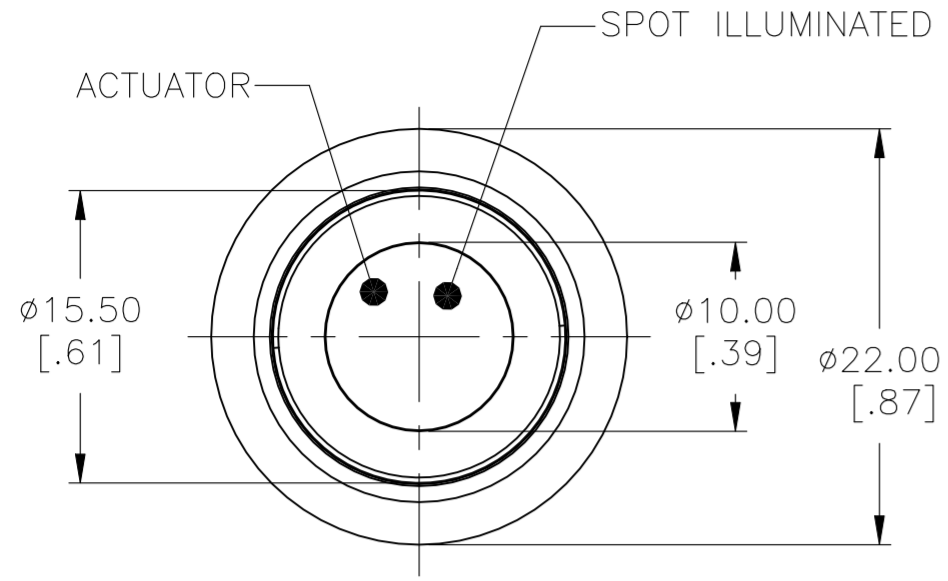
THIS DRAWING IS A CONTROLLED DOCUMENT.		DWN 13MAR2017 SHIVAKUMAR S S		
DIMENSIONS: mm [INCHES]		CHK 14MAR2017 SANJAY SHINDIKAR		
TOLERANCES UNLESS OTHERWISE SPECIFIED:		APVD 14MAR2017 SANJAY SHINDIKAR	NAME ANTI-VANDAL SWITCH 19mm DUAL COLOR LED, SOLDER TERMINALS, FLYING LEADS, WITH SPOT LED	
0 PLC ± - 1 PLC ± 0.4[.016] 2 PLC ± 0.25[.010] 3 PLC ± - 4 PLC ± - ANGLES ± 2°		PRODUCT SPEC	RESTRICTED TO	
MATERIAL		APPLICATION SPEC	SIZE A2	CAGE CODE 00779
FINISH		WEIGHT	DRAWING NO C=2316542	SCALE 1:1
		CUSTOMER DRAWING	SHEET 1 of 5	REV A1

2316542

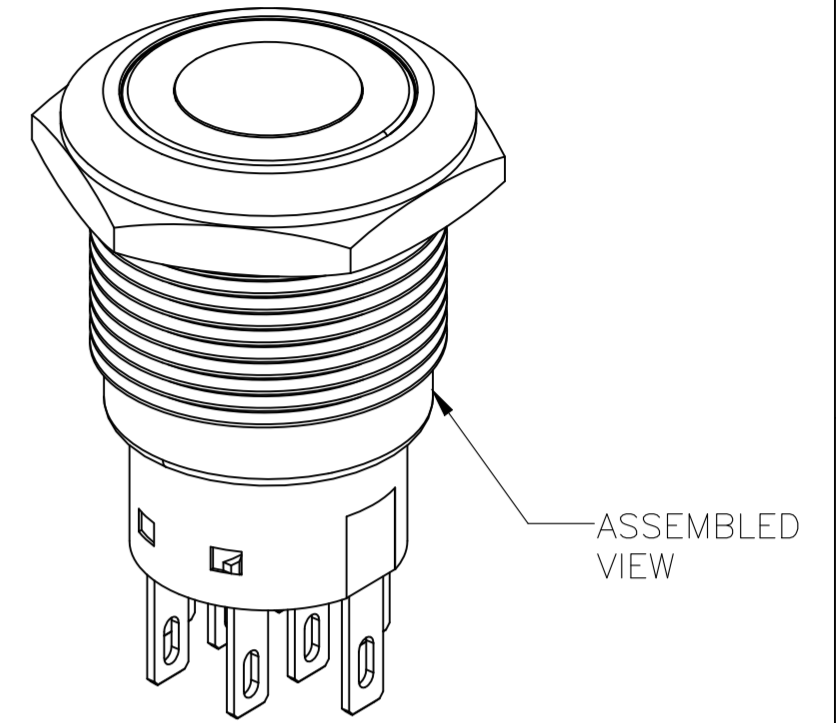
THIS DRAWING IS UNPUBLISHED. RELEASED FOR PUBLICATION  
 © COPYRIGHT - TE Connectivity ALL RIGHTS RESERVED.

REVISIONS					
P	LTR	DESCRIPTION	DATE	DWN	APVD
-	-	SEE SHEET 1	-	-	-

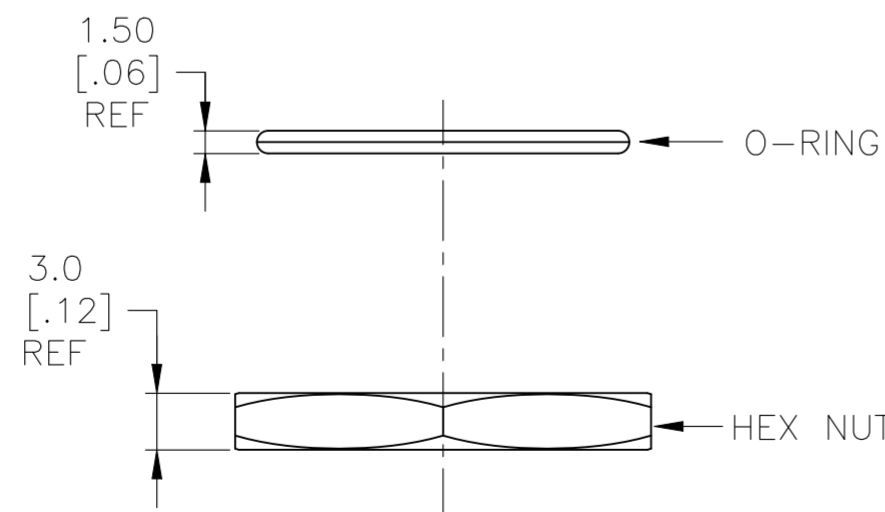
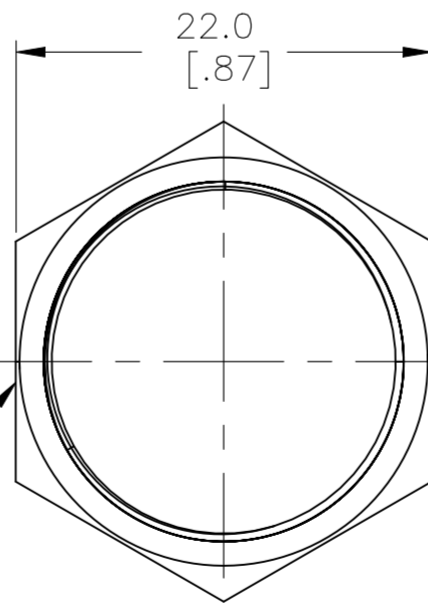
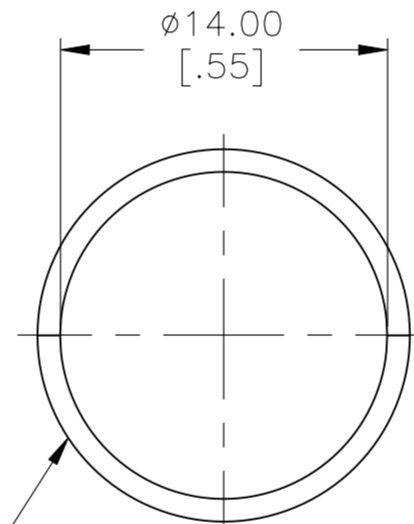
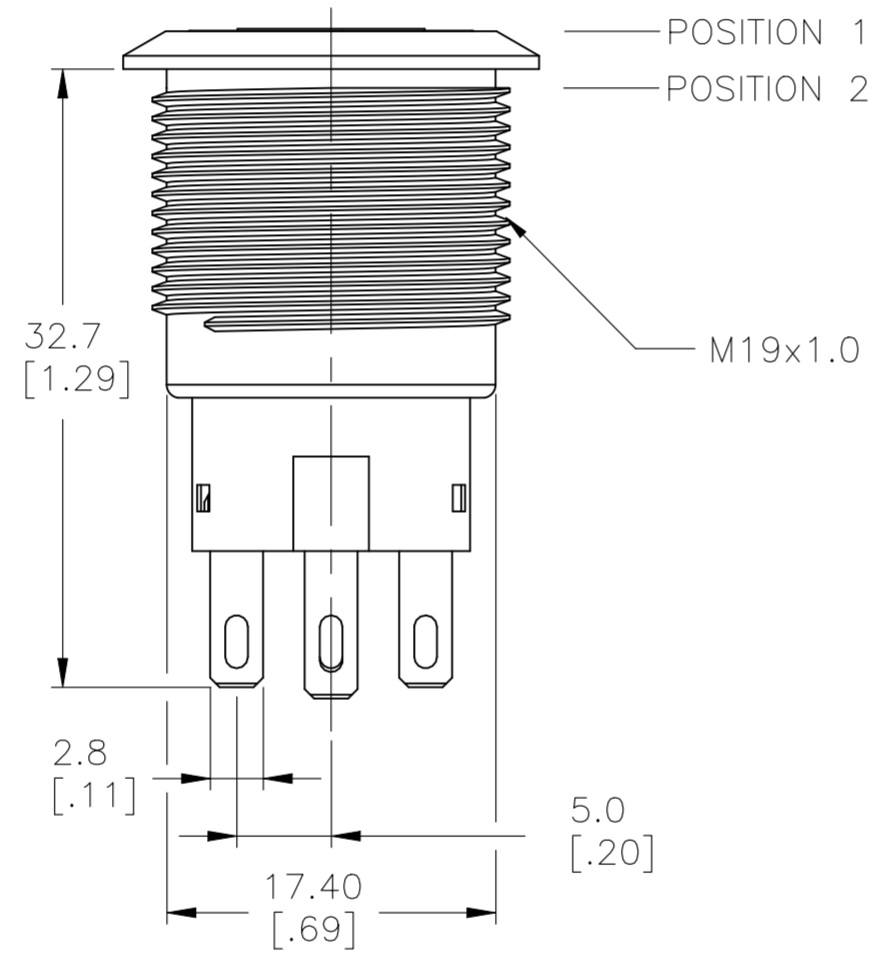
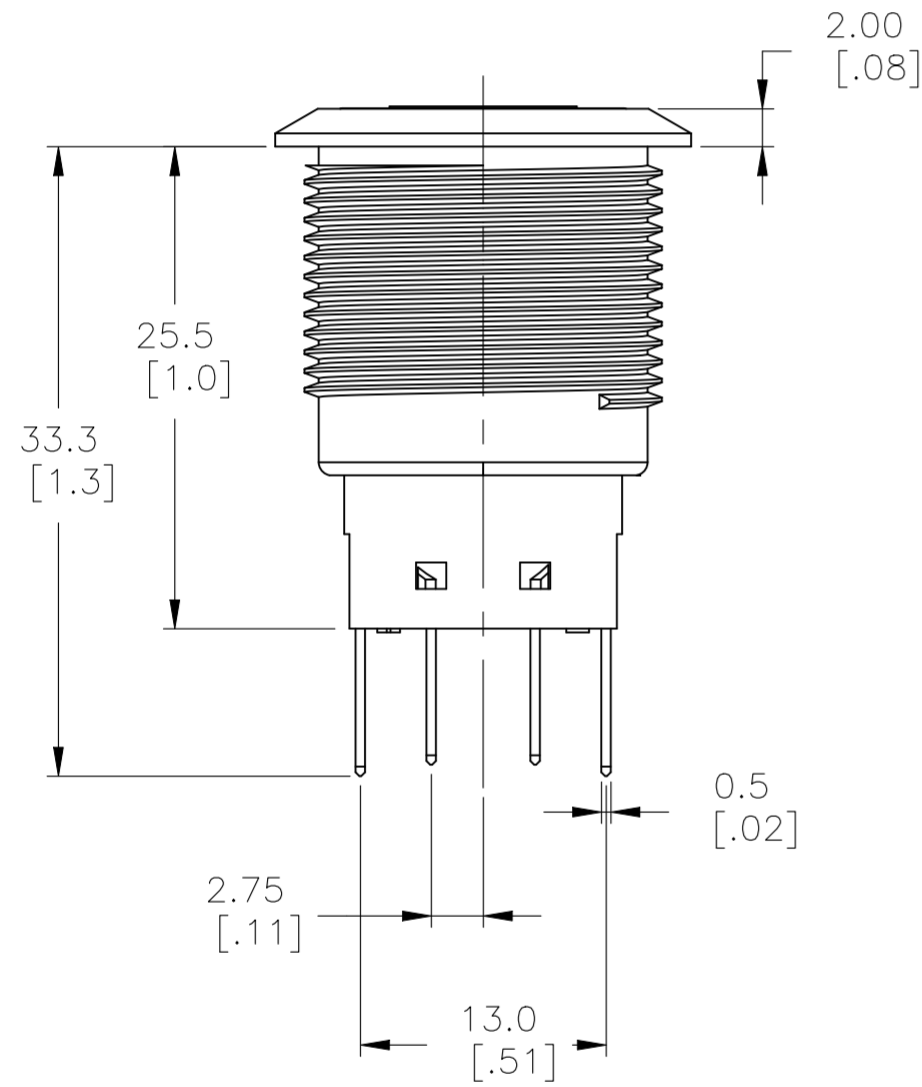
### DOUBLE POLE SWITCH WITH DUAL COLOR LED'S



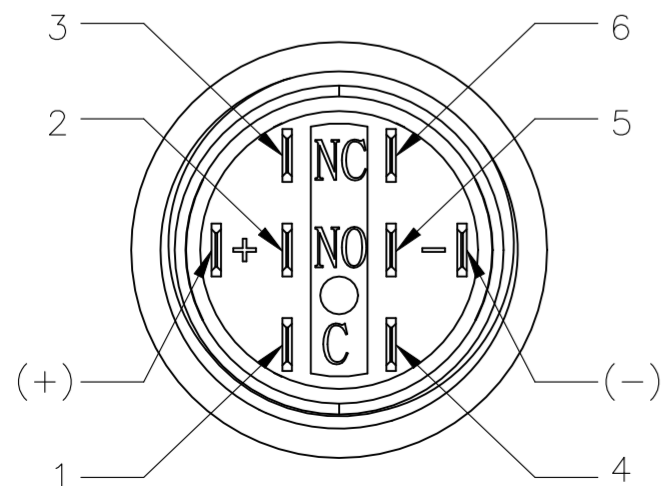
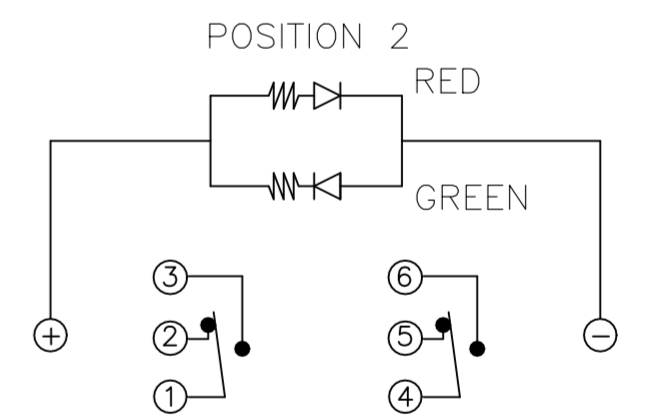
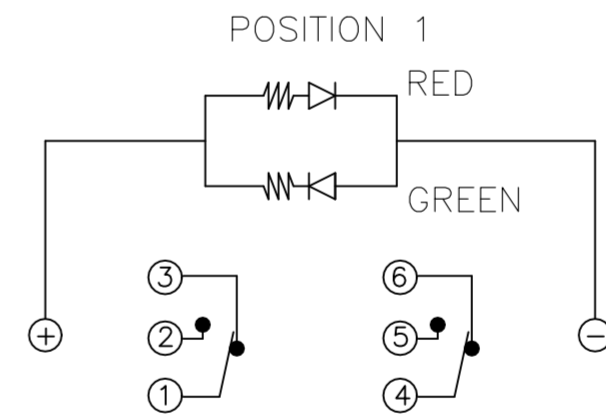
PANEL CUTOUT  
 MAX.PANEL THICKNESS: 10.00[.394]



ASSEMBLED VIEW



EXPLODED VIEW

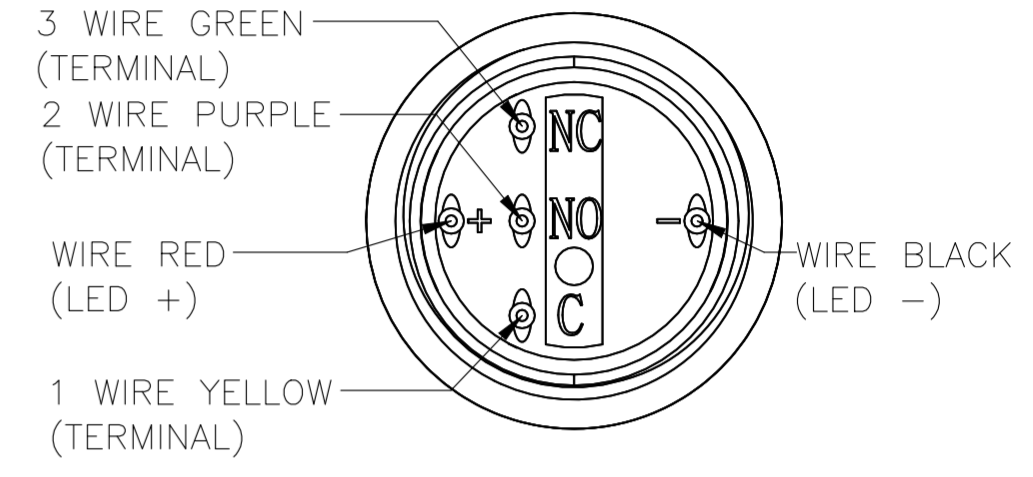
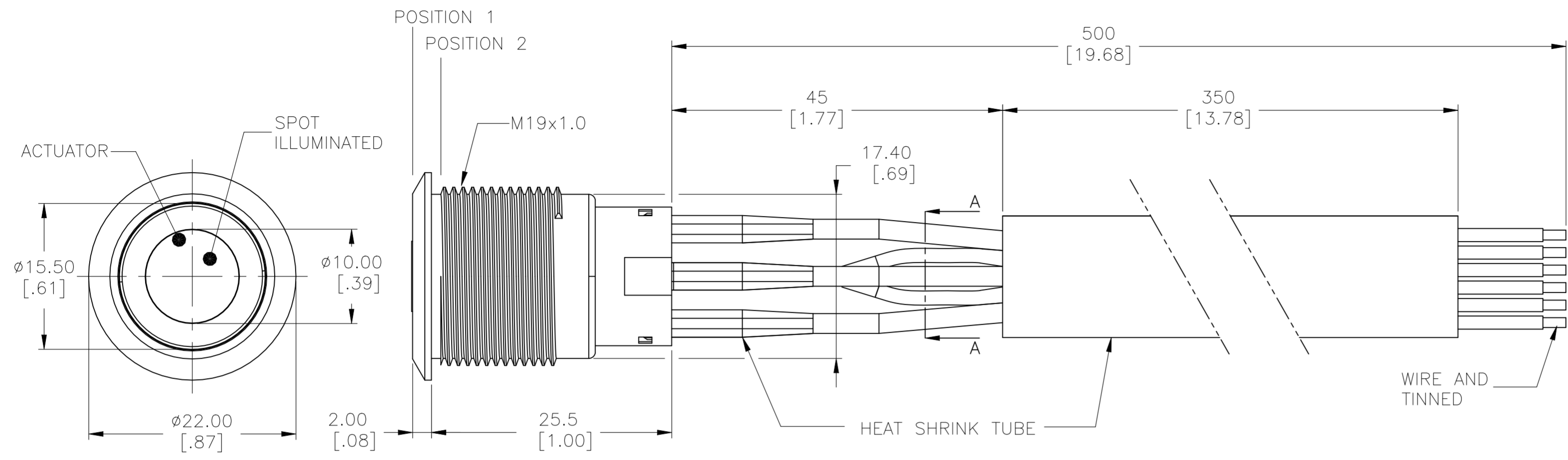


THIS DRAWING IS A CONTROLLED DOCUMENT.		DWN 13MAR2017 SHIVAKUMAR S S		
DIMENSIONS: mm [INCHES]		CHK 14MAR2017 SANJAY SHINDIKAR		
TOLERANCES UNLESS OTHERWISE SPECIFIED:		APVD 14MAR2017 SANJAY SHINDIKAR	NAME	
0 PLC ± -		PRODUCT SPEC	ANTI-VANDAL SWITCH 19mm DUAL COLOR LED, SOLDER TERMINALS, FLYING LEADS, WITH SPOT LED	
1 PLC ± 0.4[.016]		APPLICATION SPEC	-	
2 PLC ± 0.25[.010]		WEIGHT	-	
3 PLC ± -		MATERIAL	-	
4 PLC ± -		FINISH	-	
ANGLES ± 2°		CUSTOMER DRAWING	-	

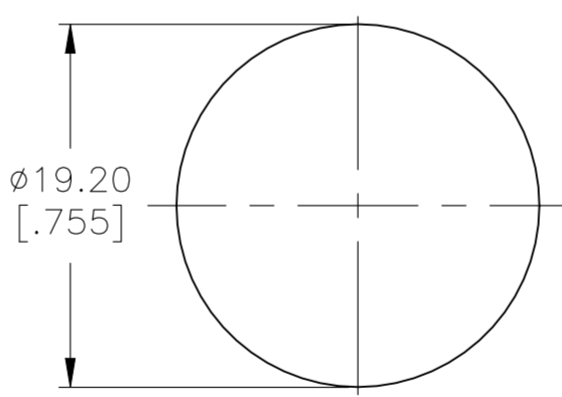
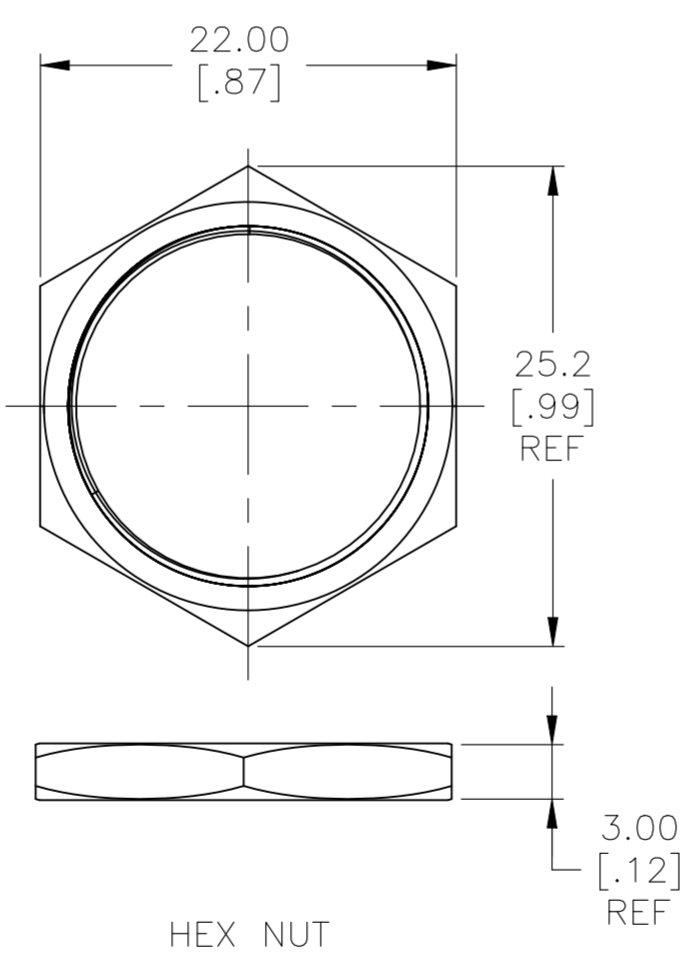
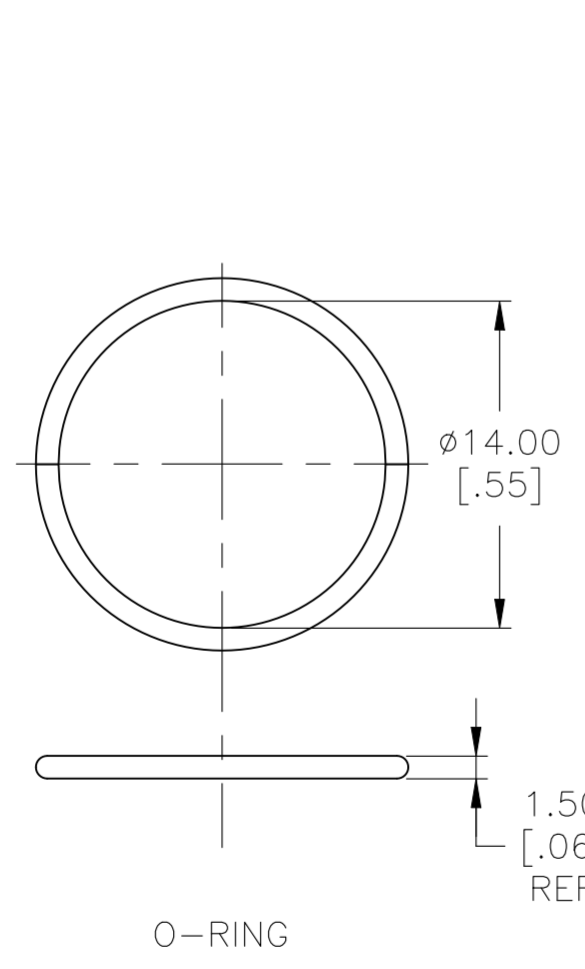
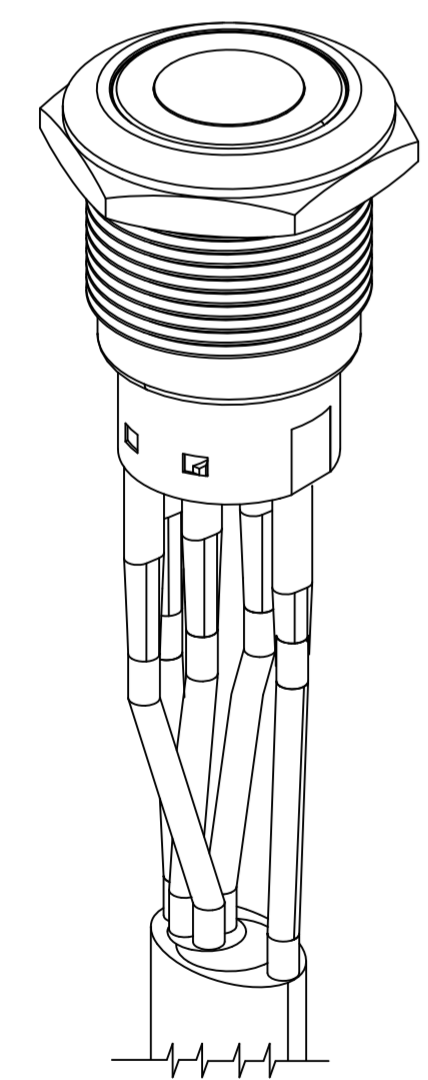
THIS DRAWING IS UNPUBLISHED. RELEASED FOR PUBLICATION  
 © COPYRIGHT - TE Connectivity ALL RIGHTS RESERVED.

# SINGLE POLE SWITCH WITH DUAL COLOR LED'S AND FLYING LEADS

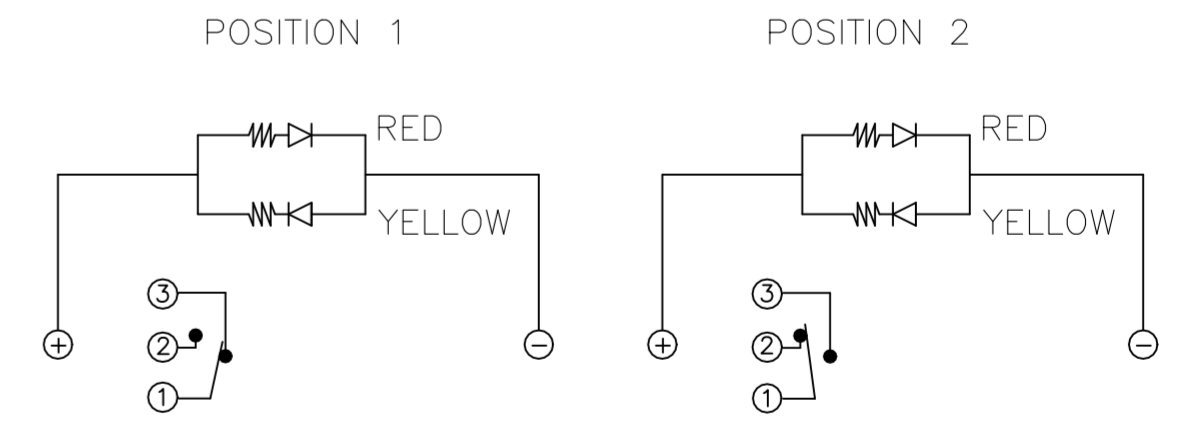
REVISIONS					
P	LTR	DESCRIPTION	DATE	DWN	APVD
-	-	SEE SHEET 1	-	-	-



WIRE=18AWG, 300V(BLACK/YELLOW/GREEN/RED/PURPLE)



PANEL CUTOUT  
 MAX.PANEL THICKNESS: 10.00[.394]

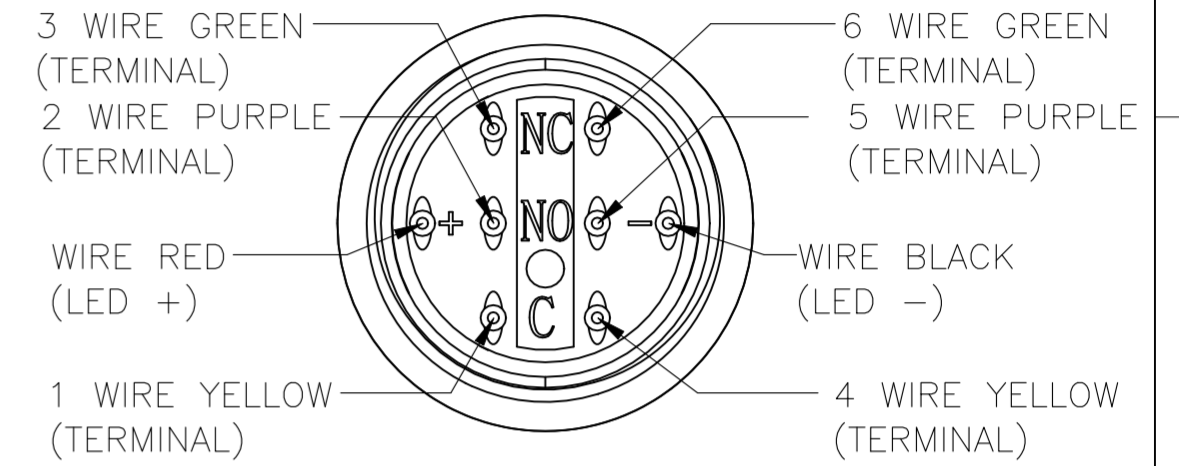
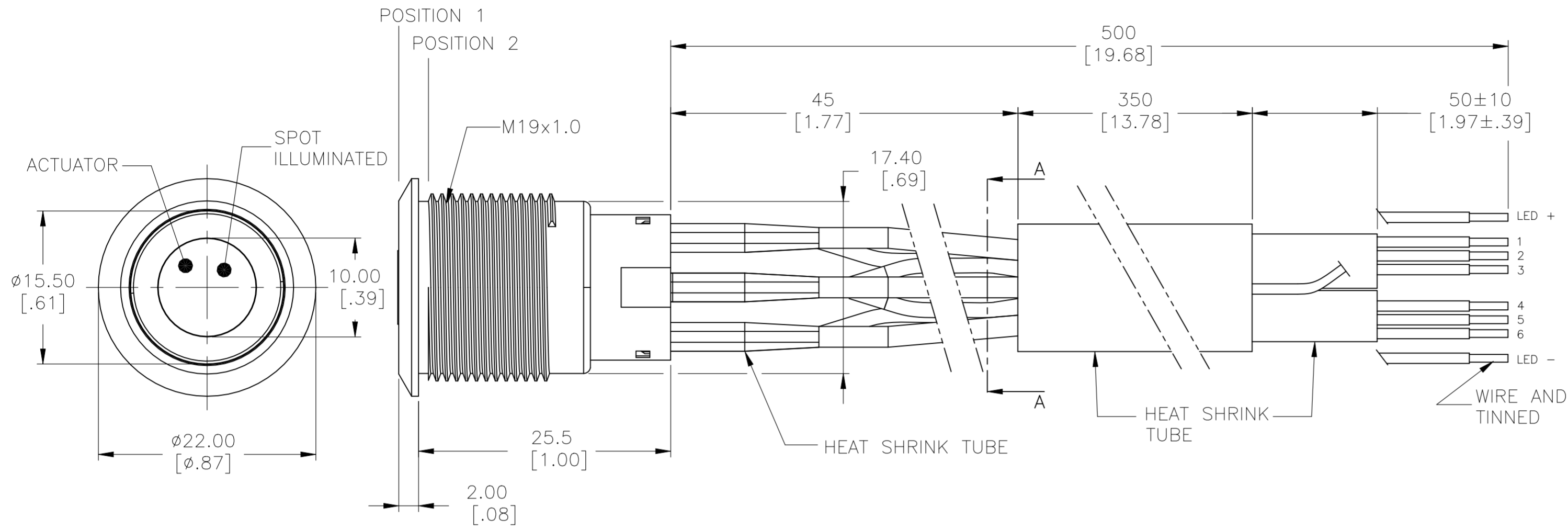


THIS DRAWING IS A CONTROLLED DOCUMENT.		DWN SHIVAKUMAR S S	13MAR2017			TE Connectivity		
DIMENSIONS: mm [INCHES]		CHK SANJAY SHINDIKAR	14MAR2017			NAME ANTI-VANDAL SWITCH 19mm DUAL COLOR LED, SOLDER TERMINALS, FLYING LEADS, WITH SPOT LED		
TOLERANCES UNLESS OTHERWISE SPECIFIED:		APVD SANJAY SHINDIKAR	14MAR2017			PRODUCT SPEC		
0 PLC ± - 1 PLC ± 0.4[.016] 2 PLC ± 0.25[.010] 3 PLC ± - 4 PLC ± - ANGLES ± 2°		APPLICATION SPEC		SIZE A2				
MATERIAL		WEIGHT		CAGE CODE 00779		DRAWING NO C=2316542		
FINISH		CUSTOMER DRAWING		SCALE 1:1		SHEET 3 of 5		
				REV A1				

THIS DRAWING IS UNPUBLISHED. RELEASED FOR PUBLICATION  
 © COPYRIGHT - TE Connectivity ALL RIGHTS RESERVED.

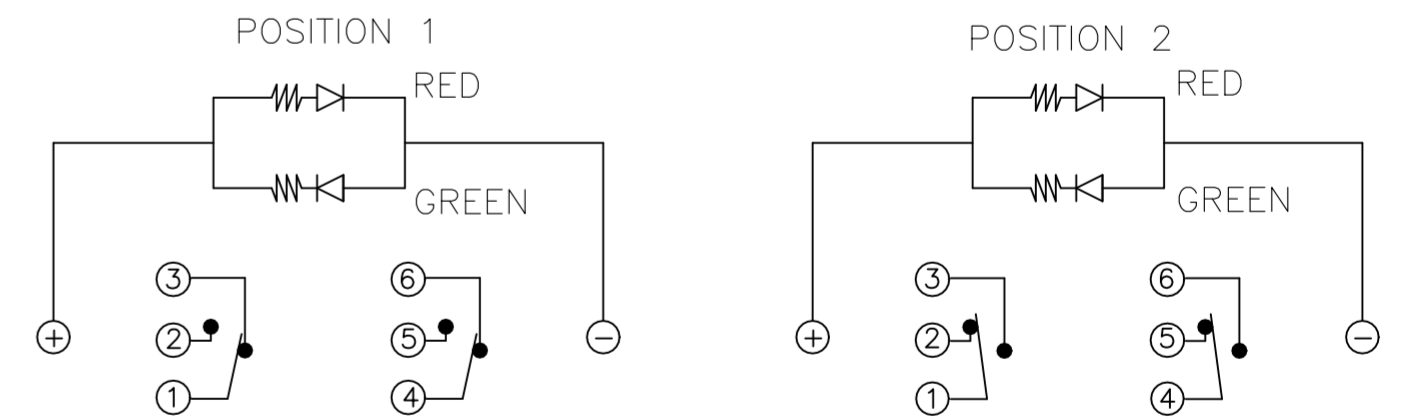
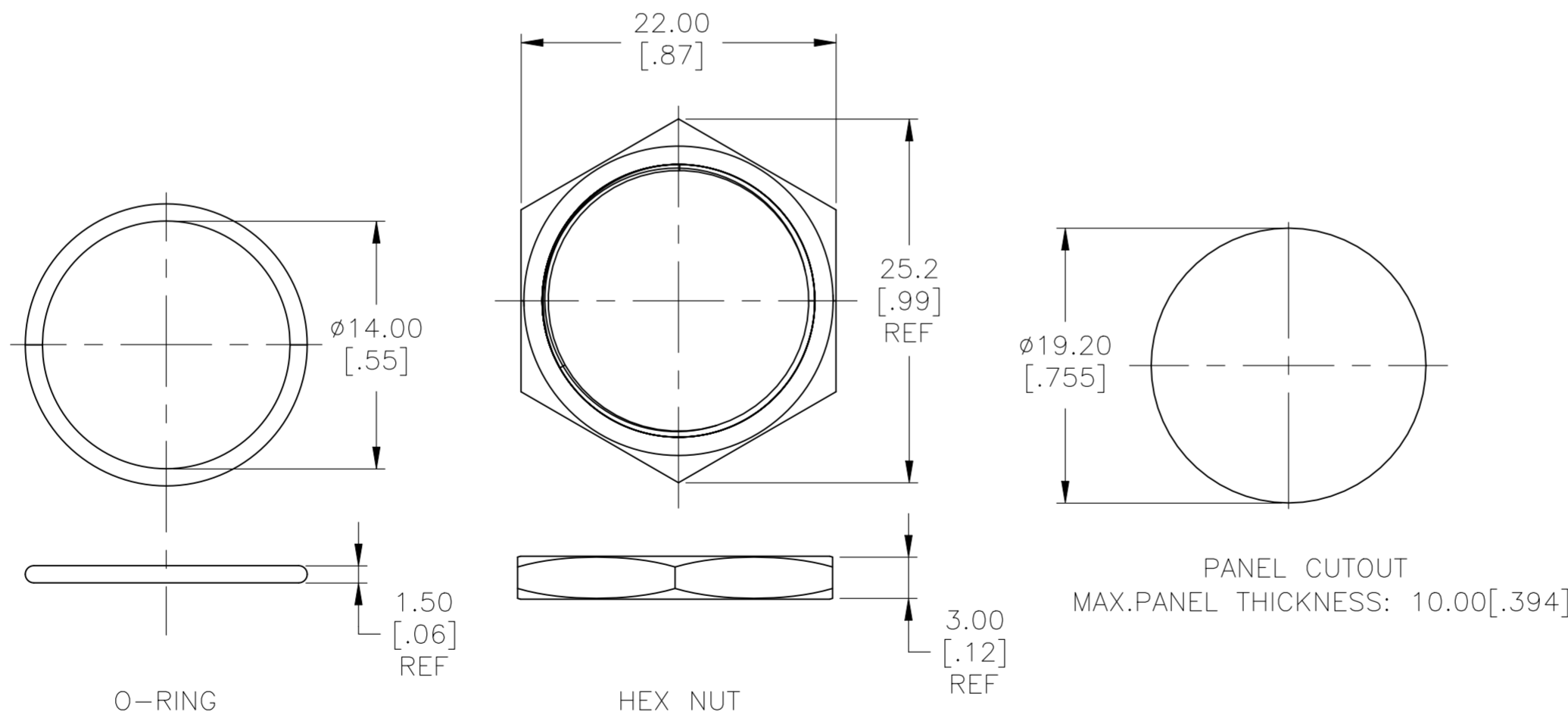
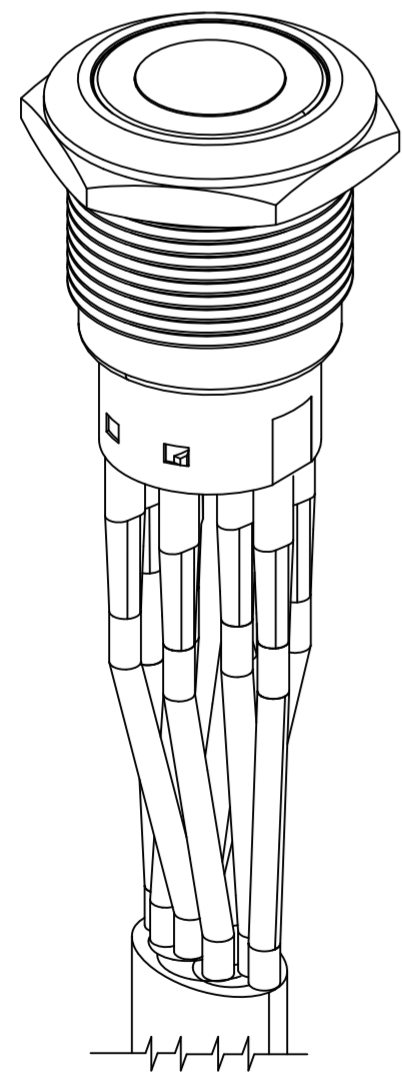
REVISIONS					
P	LTR	DESCRIPTION	DATE	DWN	APVD
-	-	SEE SHEET 1	-	-	-

# DOUBLE POLE SWITCH WITH DUAL COLOR LED'S AND FLYING LEADS



SECTION A-A

WIRE=18AWG, 300V(BLACK/YELLOW/GREEN/RED/PURPLE)



THIS DRAWING IS A CONTROLLED DOCUMENT.		DWN: SHIVAKUMAR S S 13MAR2017	<b>TE</b> TE Connectivity	
DIMENSIONS: mm [INCHES]		CHK: SANJAY SHINDIKAR 14MAR2017		
TOLERANCES UNLESS OTHERWISE SPECIFIED:		APVD: SANJAY SHINDIKAR 14MAR2017	NAME: ANTI-VANDAL SWITCH 19mm DUAL COLOR LED, SOLDER TERMINALS, FLYING LEADS, WITH SPOT LED	
0 PLC ± -		PRODUCT SPEC: -	SIZE: A2	
1 PLC ± 0.4 [.016]		APPLICATION SPEC: -	CAGE CODE: 00779	
2 PLC ± 0.25 [.010]		WEIGHT: -	DRAWING NO: C=2316542	
3 PLC ± -		RESTRICTED TO: -		
4 PLC ± -		SCALE: 1:1		
ANGLES ± 2°		SHEET: 4 OF 5		
FINISH: -		REV: A1		
CUSTOMER DRAWING				

THIS DRAWING IS UNPUBLISHED. RELEASED FOR PUBLICATION  
 © COPYRIGHT - TE Connectivity ALL RIGHTS RESERVED.

REVISIONS					
P	LTR	DESCRIPTION	DATE	DWN	APVD
-	-	SEE SHEET 1	-	-	-

CONTACT PLATING	LIGHT TYPE	TERMINAL OPTION	POLE/THROW	LED COLOR	LED VOLTAGE	TE DESCRIPTIVE PART NUMBER	TE PART NUMBER
SILVER	SPOT RING	FLYING LEAD TERMINALS	DOUBLE POLE - MOMENTARY	RED & YELLOW	24	AV1920DG24T5Q04	4-2316542-7
					12	AV1920DG12T5Q04	4-2316542-6
				RED & BLUE	24	AV1920DB24T5Q04	4-2316542-5
					12	AV1920DB12T5Q04	4-2316542-4
				RED & GREEN	24	AV1920DA24T5Q04	4-2316542-3
					12	AV1920DA12T5Q04	4-2316542-2
			SINGLE POLE - LOCKING	RED & YELLOW	24	AV1911DG24T5Q04	4-2316542-1
					12	AV1911DG12T5Q04	4-2316542-0
				RED & BLUE	24	AV1911DB24T5Q04	3-2316542-9
					12	AV1911DB12T5Q04	3-2316542-8
				RED & GREEN	24	AV1911DA24T5Q04	3-2316542-7
					12	AV1911DA12T5Q04	3-2316542-6
		SOLDER TERMINALS	DOUBLE POLE - MOMENTARY	RED & YELLOW	24	AV1910DG24T5Q04	3-2316542-5
					12	AV1910DG12T5Q04	3-2316542-4
				RED & BLUE	24	AV1910DB24T5Q04	3-2316542-3
					12	AV1910DB12T5Q04	3-2316542-2
				RED & GREEN	24	AV1910DA24T5Q04	3-2316542-1
					12	AV1910DA12T5Q04	3-2316542-0
			SINGLE POLE - LOCKING	RED & YELLOW	24	AV1920DG24Q04	1-2316542-8
					12	AV1920DG12Q04	1-2316542-7
				RED & BLUE	24	AV1920DB24Q04	1-2316542-6
					12	AV1920DB12Q04	1-2316542-5
				RED & GREEN	24	AV1920DA24Q04	1-2316542-4
					12	AV1920DA12Q04	1-2316542-3
SOLDER TERMINALS	SINGLE POLE - LOCKING	RED & YELLOW	24	AV1911DG24Q04	1-2316542-2		
			12	AV1911DG12Q04	1-2316542-1		
		RED & BLUE	24	AV1911DB24Q04	1-2316542-0		
			12	AV1911DB12Q04	2316542-9		
		RED & GREEN	24	AV1911DA24Q04	2316542-8		
			12	AV1911DA12Q04	2316542-7		
	SINGLE POLE - MOMENTARY	RED & YELLOW	24	AV1910DG24Q04	2316542-6		
			12	AV1910DG12Q04	2316542-5		
		RED & BLUE	24	AV1910DB24Q04	2316542-4		
			12	AV1910DB12Q04	2316542-3		
		RED & GREEN	24	AV1910DA24Q04	2316542-2		
			12	AV1910DA12Q04	2316542-1		

D

D

C

C

B

B

A

A

THIS DRAWING IS A CONTROLLED DOCUMENT.		DWN 13MAR2017 SHIVAKUMAR S S	<b>TE</b> TE Connectivity	
DIMENSIONS: mm [INCHES]		CHK 14MAR2017 SANJAY SHINDIKAR		
TOLERANCES UNLESS OTHERWISE SPECIFIED:		APVD 14MAR2017 SANJAY SHINDIKAR	NAME ANTI-VANDAL SWITCH 19mm DUAL COLOR LED, SOLDER TERMINALS, FLYING LEADS, WITH SPOT LED	
0 PLC ± -		PRODUCT SPEC	RESTRICTED TO	
1 PLC ± 0.4[.016]		APPLICATION SPEC	SIZE CAGE CODE DRAWING NO	
2 PLC ± 0.25[.010]		WEIGHT -	A2 00779 C=2316542	
3 PLC ± -		FINISH -	SCALE 1:1 SHEET 5 of 5 REV A1	
4 PLC ± -		CUSTOMER DRAWING		
ANGLES ± 2°				

# Mouser Electronics

Authorized Distributor

Click to View Pricing, Inventory, Delivery & Lifecycle Information:

[TE Connectivity:](#)

[4-2316542-4](#)