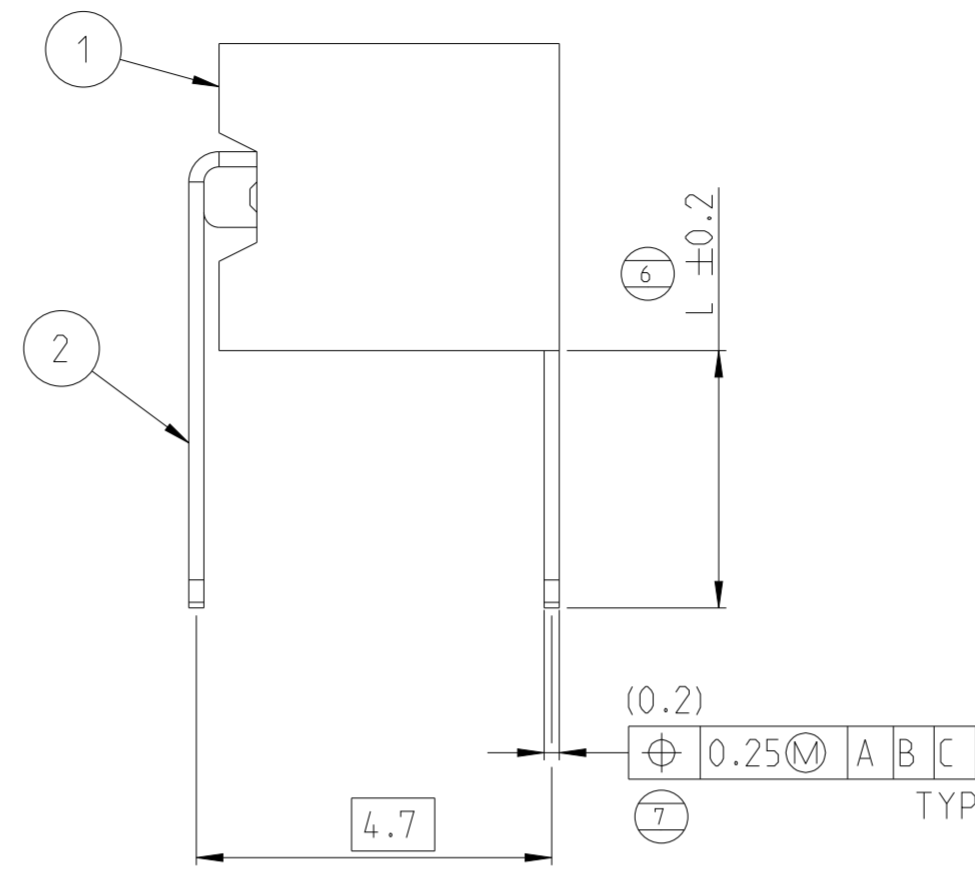
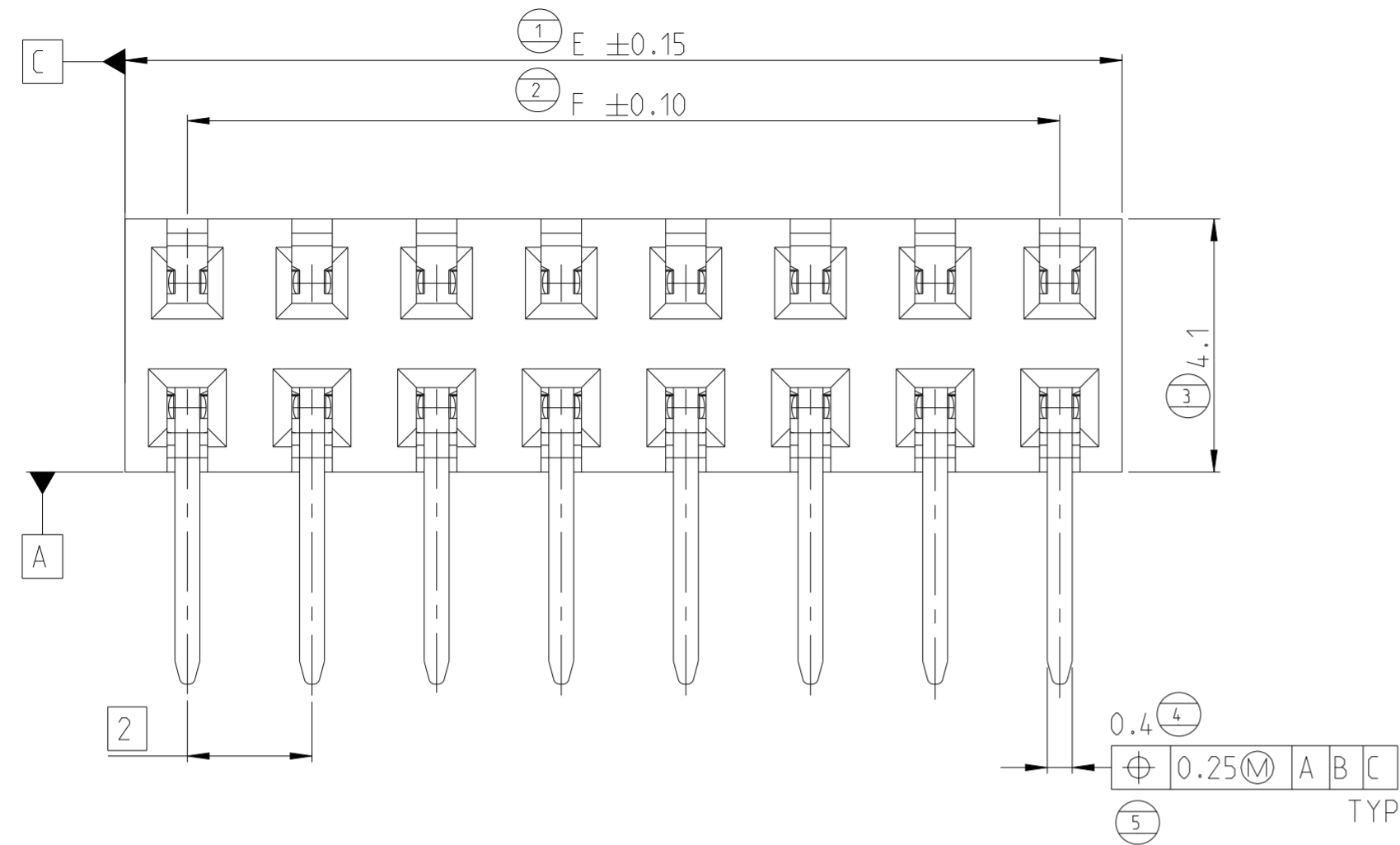
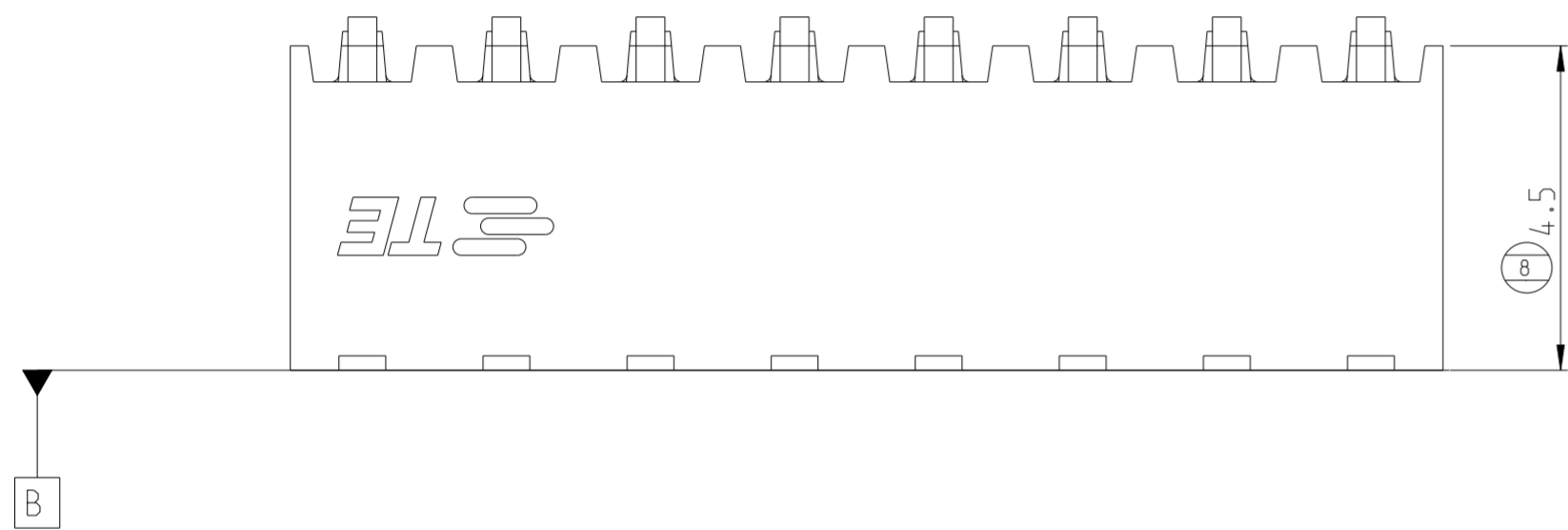


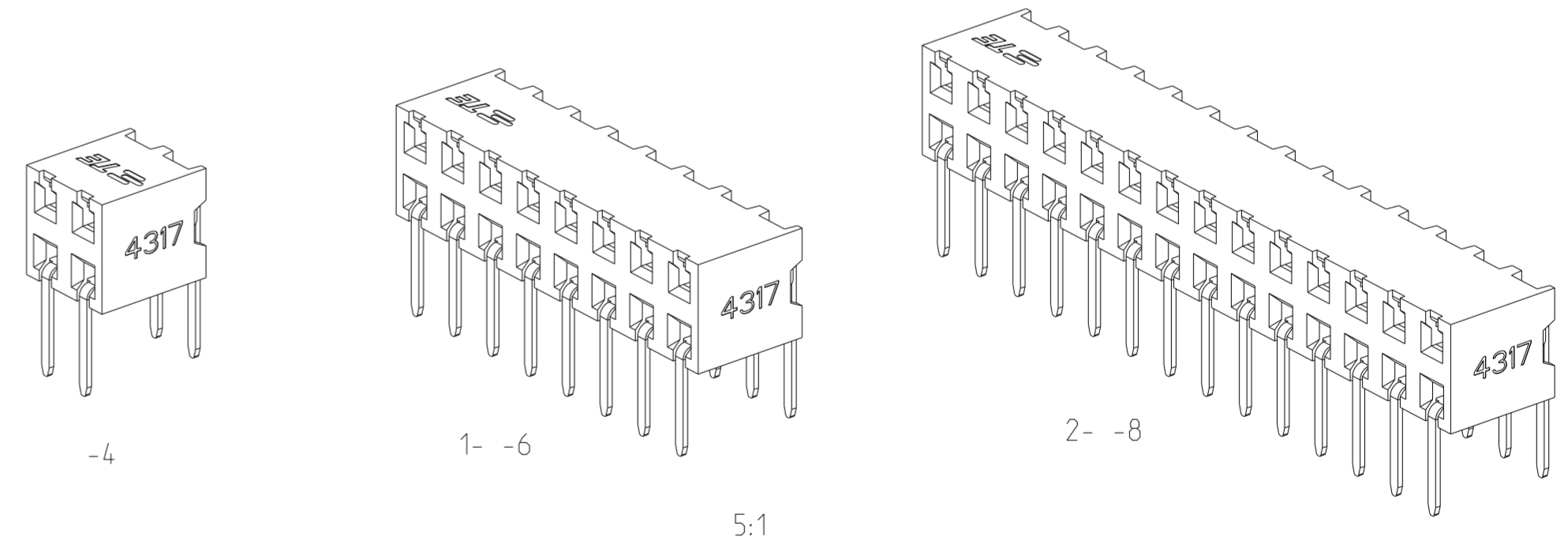
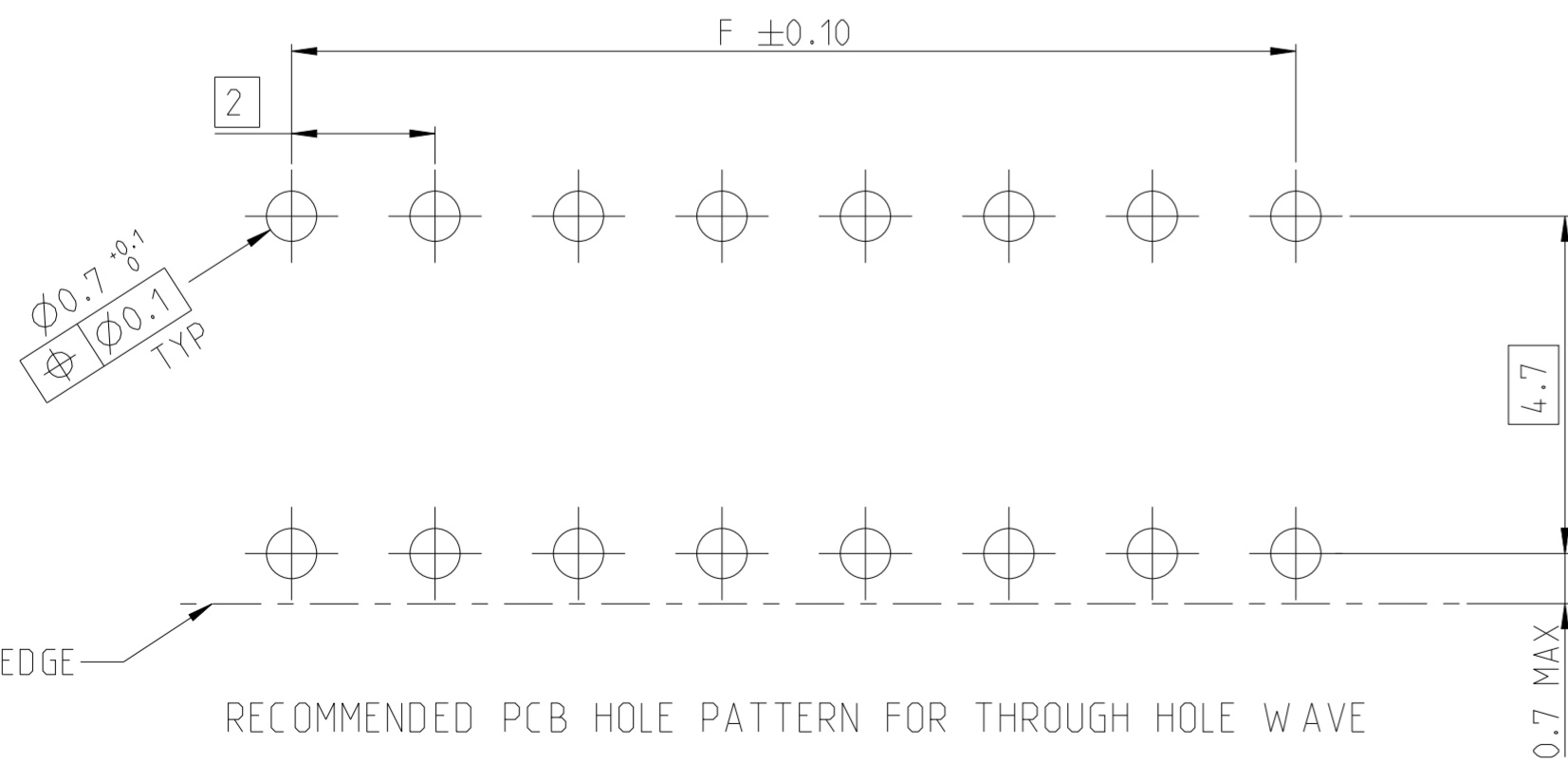
REVISIONS					
P	LTR	DESCRIPTION	DATE	DWN	APVD
	A2	ECR-21-115824	05OCT2021	SCB	AY



- NOTES:
- 1 MATERIAL:
HOUSING: LCP, UL94 V0, BLACK
CONTACT: PHOSPHOR BRONZE, 0.20mm THICK.
 - 2 ALL OVER 3-5 μm TIN OVER MIN 1.27 μm NICKEL UNDERPLATE
 - 3 CONTACT AREA: MIN 0.1 μm GOLD
SOLDER TAIL: 3-5 μm TIN
UNDERPLATING: MIN 1.27 μm NICKEL ALL OVER
 - 4 CONTACT AREA: MIN 0.38 μm GOLD
SOLDER TAIL: 3-5 μm TIN
UNDERPLATING: MIN 1.27 μm NICKEL ALL OVER
 - 5 CONTACT AREA: MIN 0.76 μm GOLD
SOLDER TAIL: 3-5 μm TIN
UNDERPLATING: MIN 1.27 μm NICKEL ALL OVER
 - 6 N = NO. OF POSITIONS PER CONNECTOR.



CONTACT	2
HOUSING	1
DESCRIPTION	ITEM




THIS DRAWING IS A CONTROLLED DOCUMENT.		DWN 28NOV2017 SOURAV DAS	TE Connectivity		
DIMENSIONS: mm		CHK 22NOV2018 SHARATH S			
TOLERANCES UNLESS OTHERWISE SPECIFIED:		APVD 22NOV2018 PRASHANTH S	NAME AMPMODU 2mm, BtB RECEPTACLE, DUAL ROW HORIZONTAL, TH/THR		
0 PLC ±		PRODUCT SPEC 108-64040	SIZE CAGE CODE DRAWING NO RESTRICTED TO		
1 PLC ±0.2		APPLICATION SPEC 114-32186	A2 00779 C-2307712		
2 PLC ±0.1		WEIGHT -	SCALE 5:1 SHEET 1 OF 2 REV A2		
3 PLC ±		CUSTOMER DRAWING			
4 PLC ±					
ANGLES ±2°					
FINISH SEE NOTES					

REVISIONS				
P	LTR	DESCRIPTION	DATE	APVD
-		SEE SHEET 1	-	-

MATING SIDE PLATING (FINISH)	"L" SOLDER TAIL LENGTH	BTB RECEPTACLE BASE NUMBERS	
		TAPE & REEL PKG W/O CAP	TUBE PKG W/O CAP
TIN △ ₂	2.1	2307712	2314915
	2.8	2314923	2307713
	3.4	A/R	2307714
GOLD FLASH 0.1 μm △ ₃	2.1	2307715	2314916
	2.8	2314924	2307716
	3.4	A/R	2307717
GOLD 0.38 μm △ ₄	2.1	2307718	2314917
	2.8	2314925	2307719
	3.4	A/R	2307720
GOLD 0.76 μm △ ₅	2.1	2307721	2314918
	2.8	2314926	2307722
	3.4	A/R	2307723

* A/R- AVAILABLE ON REQUEST

48	50	50	5- -0
46	48	48	4- -8
44	46	46	4- -6
42	44	44	4- -4
40	42	42	4- -2
38	40	40	4- -0
36	38	38	3- -8
34	36	36	3- -6
32	34	34	3- -4
30	32	32	3- -2
28	30	30	3- -0
26	28	28	2- -8
24	26	26	2- -6
22	24	24	2- -4
20	22	22	2- -2
18	20	20	2- -0
16	18	18	1- -8
14	16	16	1- -6
12	14	14	1- -4
10	12	12	1- -2
8	10	10	1- -0
6	8	8	-8
4	6	6	-6
2	4	4	-4
DIM "F"	DIM "E"	N/6	FG PN

THIS DRAWING IS A CONTROLLED DOCUMENT.		DWN SOURAV DAS 28NOV2017	 TE Connectivity	
DIMENSIONS: mm		CHK SHARATH S 22NOV2018		
TOLERANCES UNLESS OTHERWISE SPECIFIED:		APVD PRASHANTH S 22NOV2018	NAME AMPMODU 2mm, BtB RECEPTACLE, DUAL ROW HORIZONTAL, TH/THR	
0 PLC ±		PRODUCT SPEC	-	
1 PLC ±0.2		APPLICATION SPEC	-	
2 PLC ±0.1		108-64040	-	
3 PLC ±		114-32186	-	
4 PLC ±		WEIGHT	-	
ANGLES ±°		CUSTOMER DRAWING	-	
FINISH		SCALE 5:1	SHEET 2 OF 2	
SEE NOTES		REV A2	-	

Mouser Electronics

Authorized Distributor

Click to View Pricing, Inventory, Delivery & Lifecycle Information:

[TE Connectivity:](#)

[3-2314926-0](#)