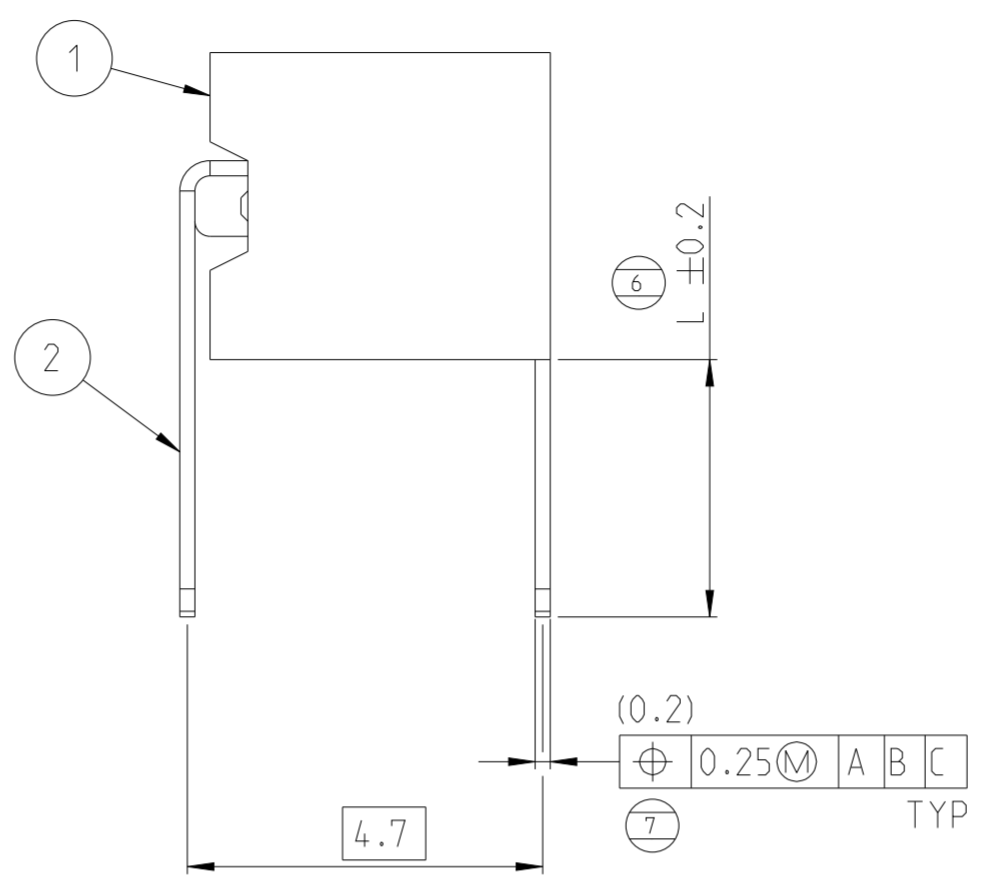
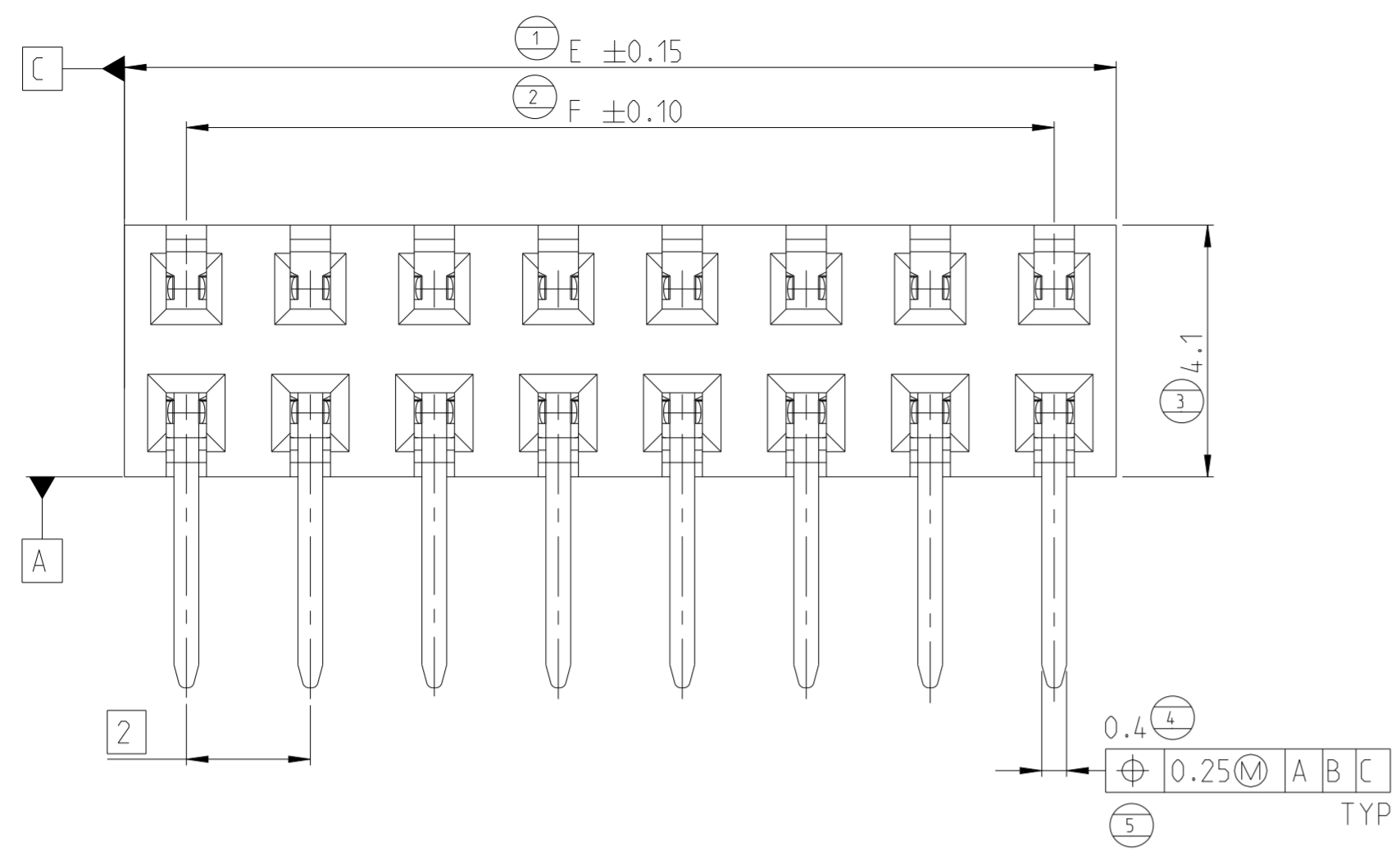
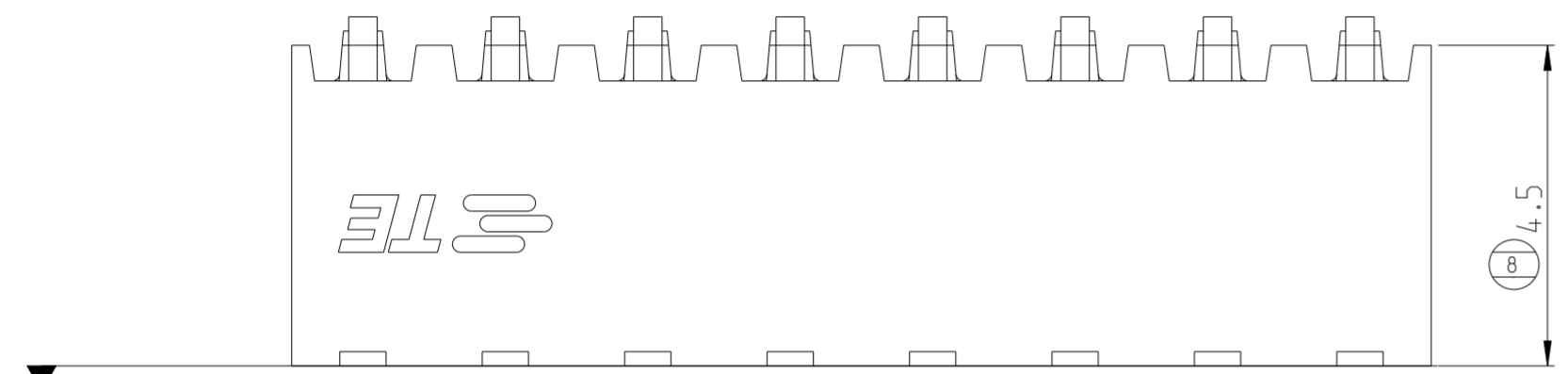


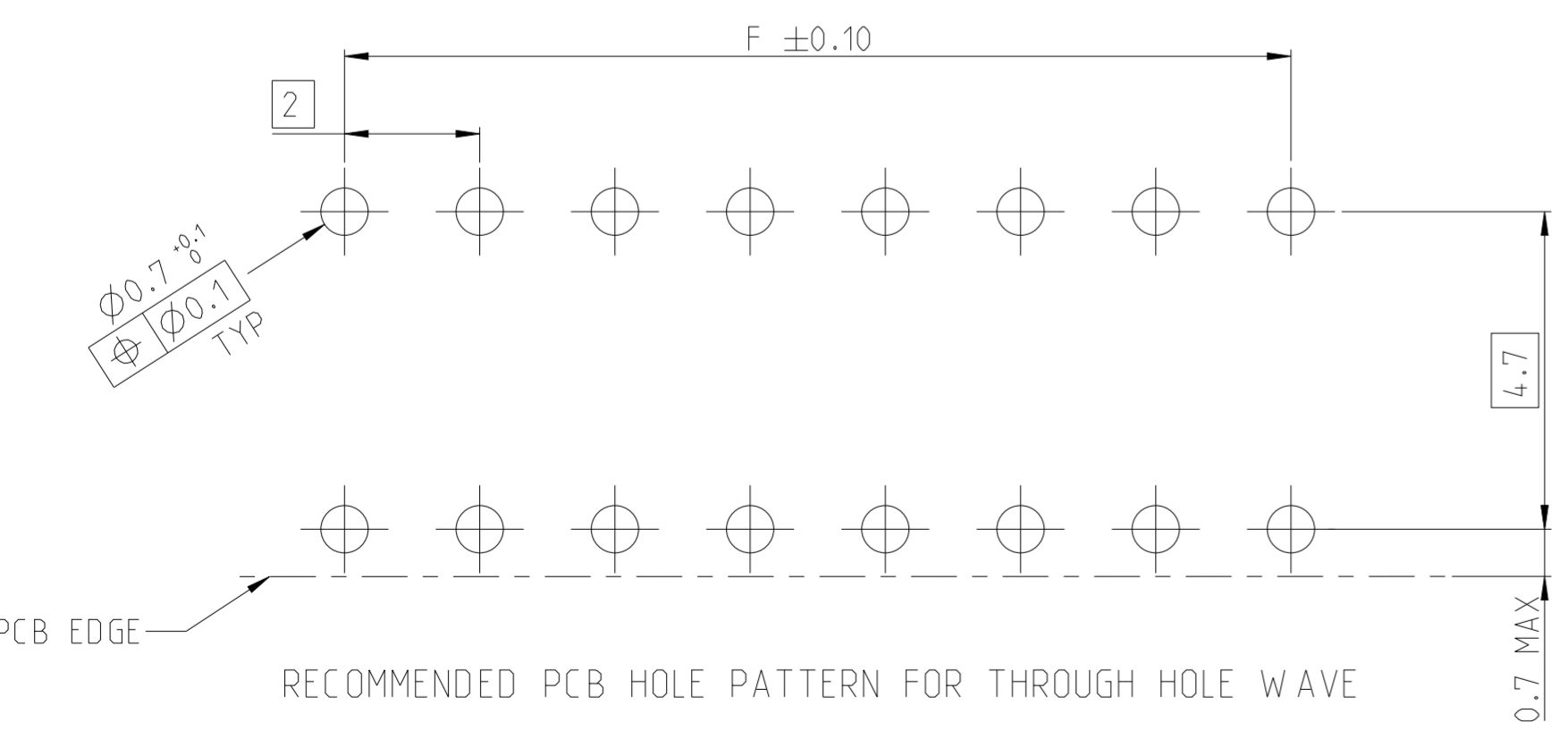
| REVISIONS | | | | | |
|-----------|-----|---------------|-----------|-----|------|
| P | LTR | DESCRIPTION | DATE | DWN | APVD |
| | A2 | ECR-21-115824 | 05OCT2021 | SCB | AY |
| | | | | | |
| | | | | | |



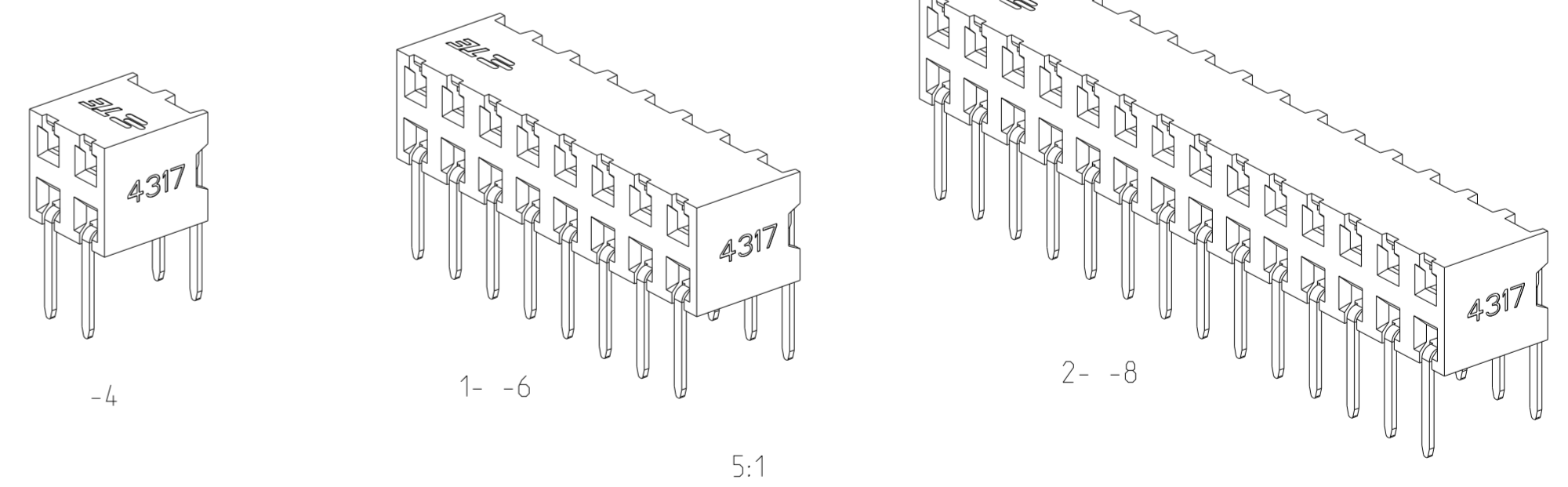
- NOTES:
- 1 MATERIAL:
HOUSING: LCP, UL94 V0, BLACK
CONTACT: PHOSPHOR BRONZE, 0.20mm THICK.
 - 2 ALL OVER 3-5 μm TIN OVER MIN 1.27 μm NICKEL UNDERPLATE
 - 3 CONTACT AREA: MIN 0.1 μm GOLD
SOLDER TAIL: 3-5 μm TIN
UNDERPLATING: MIN 1.27 μm NICKEL ALL OVER
 - 4 CONTACT AREA: MIN 0.38 μm GOLD
SOLDER TAIL: 3-5 μm TIN
UNDERPLATING: MIN 1.27 μm NICKEL ALL OVER
 - 5 CONTACT AREA: MIN 0.76 μm GOLD
SOLDER TAIL: 3-5 μm TIN
UNDERPLATING: MIN 1.27 μm NICKEL ALL OVER
 - 6 N = NO. OF POSITIONS PER CONNECTOR.



| | |
|-------------|------|
| CONTACT | 2 |
| HOUSING | 1 |
| DESCRIPTION | ITEM |



RECOMMENDED PCB HOLE PATTERN FOR THROUGH HOLE WAVE



| | | | | |
|--|--|-------------------------------|---|--|
| THIS DRAWING IS A CONTROLLED DOCUMENT. | | DWN 28NOV2017 SOURAV DAS | STE TE Connectivity | |
| DIMENSIONS: mm | | CHK 22NOV2018 SHARATH S | | |
| TOLERANCES UNLESS OTHERWISE SPECIFIED: | | APVD 22NOV2018 PRASHANTH S | NAME AMPMODU 2mm, BtB RECEPTACLE, DUAL ROW HORIZONTAL, TH/THR | |
| 0 PLC ± | | PRODUCT SPEC 108-64040 | SIZE CAGE CODE DRAWING NO RESTRICTED TO | |
| 1 PLC ±0.2 | | APPLICATION SPEC 114-32186 | A2 00779 C-2307712 | |
| 2 PLC ±0.1 | | WEIGHT - | SCALE 5:1 SHEET 1 OF 2 REV A2 | |
| 3 PLC ± | | CUSTOMER DRAWING | | |
| 4 PLC ± | | | | |
| ANGLES ±2° | | | | |
| FINISH SEE NOTES | | | | |

REVISIONS

| P | LTR | DESCRIPTION | DATE | DWN | APVD |
|---|-----|-------------|------|-----|------|
| - | | SEE SHEET 1 | - | - | - |
| | | | | | |
| | | | | | |

| MATING SIDE PLATING (FINISH) | "L" SOLDER TAIL LENGTH | BTB RECEPTACLE BASE NUMBERS | |
|-------------------------------------|------------------------|-----------------------------|------------------|
| | | TAPE & REEL PKG W/O CAP | TUBE PKG W/O CAP |
| TIN △ ₂ | 2.1 | 2307712 | 2314915 |
| | 2.8 | 2314923 | 2307713 |
| | 3.4 | A/R | 2307714 |
| GOLD FLASH 0.1 μm △ ₃ | 2.1 | 2307715 | 2314916 |
| | 2.8 | 2314924 | 2307716 |
| | 3.4 | A/R | 2307717 |
| GOLD 0.38 μm △ ₄ | 2.1 | 2307718 | 2314917 |
| | 2.8 | 2314925 | 2307719 |
| | 3.4 | A/R | 2307720 |
| GOLD 0.76 μm △ ₅ | 2.1 | 2307721 | 2314918 |
| | 2.8 | 2314926 | 2307722 |
| | 3.4 | A/R | 2307723 |

* A/R- AVAILABLE ON REQUEST

| | | | |
|---------|---------|-----|-------|
| 48 | 50 | 50 | 5- -0 |
| 46 | 48 | 48 | 4- -8 |
| 44 | 46 | 46 | 4- -6 |
| 42 | 44 | 44 | 4- -4 |
| 40 | 42 | 42 | 4- -2 |
| 38 | 40 | 40 | 4- -0 |
| 36 | 38 | 38 | 3- -8 |
| 34 | 36 | 36 | 3- -6 |
| 32 | 34 | 34 | 3- -4 |
| 30 | 32 | 32 | 3- -2 |
| 28 | 30 | 30 | 3- -0 |
| 26 | 28 | 28 | 2- -8 |
| 24 | 26 | 26 | 2- -6 |
| 22 | 24 | 24 | 2- -4 |
| 20 | 22 | 22 | 2- -2 |
| 18 | 20 | 20 | 2- -0 |
| 16 | 18 | 18 | 1- -8 |
| 14 | 16 | 16 | 1- -6 |
| 12 | 14 | 14 | 1- -4 |
| 10 | 12 | 12 | 1- -2 |
| 8 | 10 | 10 | 1- -0 |
| 6 | 8 | 8 | -8 |
| 4 | 6 | 6 | -6 |
| 2 | 4 | 4 | -4 |
| DIM "F" | DIM "E" | N/6 | FG PN |

| | | | | |
|--|--|-------------------------------|---|-----------------|
| THIS DRAWING IS A CONTROLLED DOCUMENT. | | DWN 28NOV2017 SOURAV DAS | STE TE Connectivity | |
| DIMENSIONS: mm | | CHK 22NOV2018 SHARATH S | | |
| TOLERANCES UNLESS OTHERWISE SPECIFIED: | | APVD 22NOV2018 PRASHANTH S | NAME AMPMODU 2mm, BtB RECEPTACLE, DUAL ROW HORIZONTAL, TH/THR | |
| 0 PLC ± | | PRODUCT SPEC 108-64040 | RESTRICTED TO | |
| 1 PLC ±0.2 | | APPLICATION SPEC 114-32186 | SIZE A2 | CAGE CODE 00779 |
| 2 PLC ±0.1 | | WEIGHT - | DRAWING NO C-2307712 | SCALE 5:1 |
| 3 PLC ± | | CUSTOMER DRAWING | SHEET 2 OF 2 | REV A2 |
| 4 PLC ± | | | | |
| ANGLES ±2° | | | | |
| FINISH | | | | |
| SEE NOTES | | | | |

Mouser Electronics

Authorized Distributor

Click to View Pricing, Inventory, Delivery & Lifecycle Information:

[TE Connectivity:](#)

[2314918-8](#)