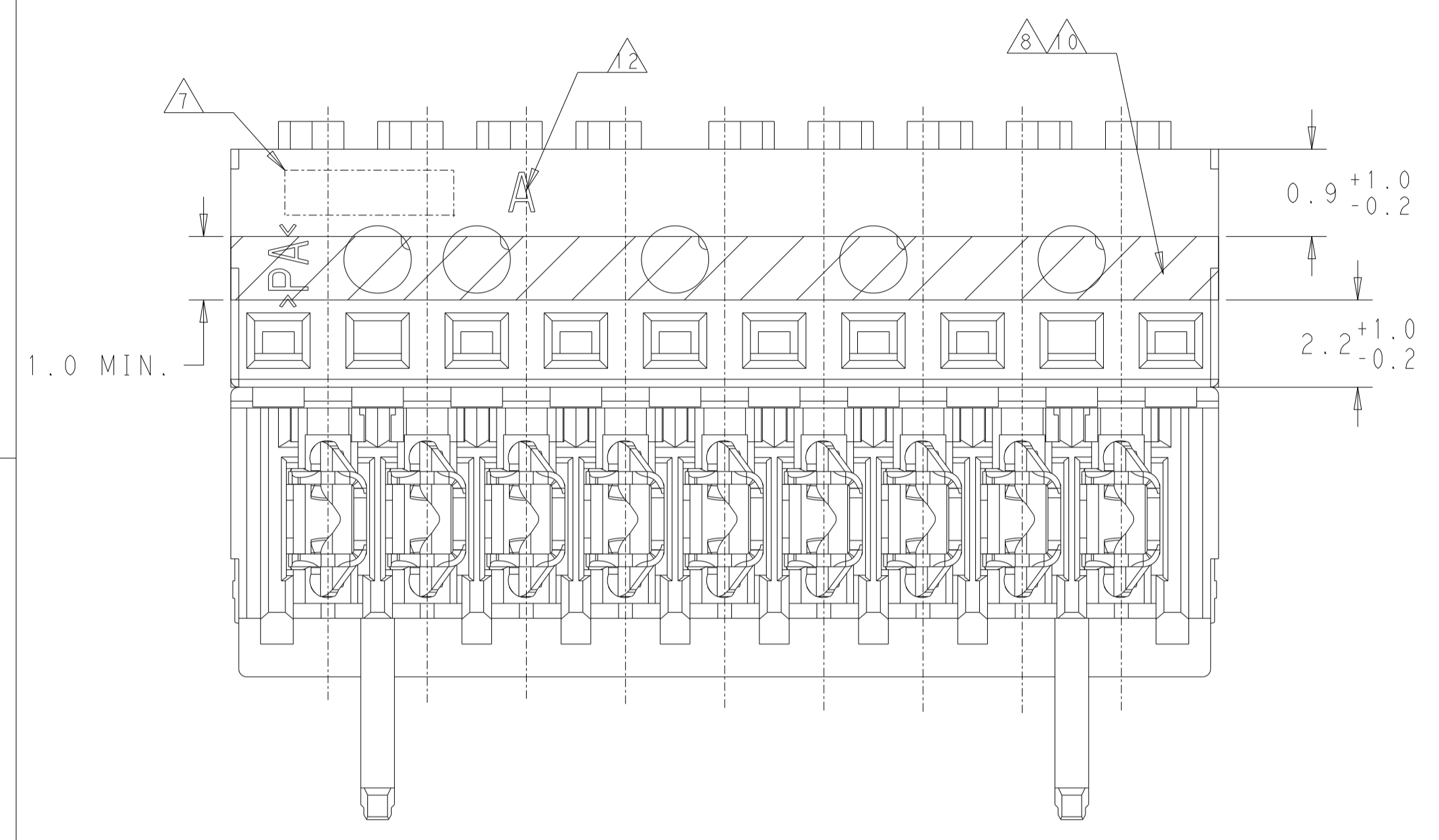
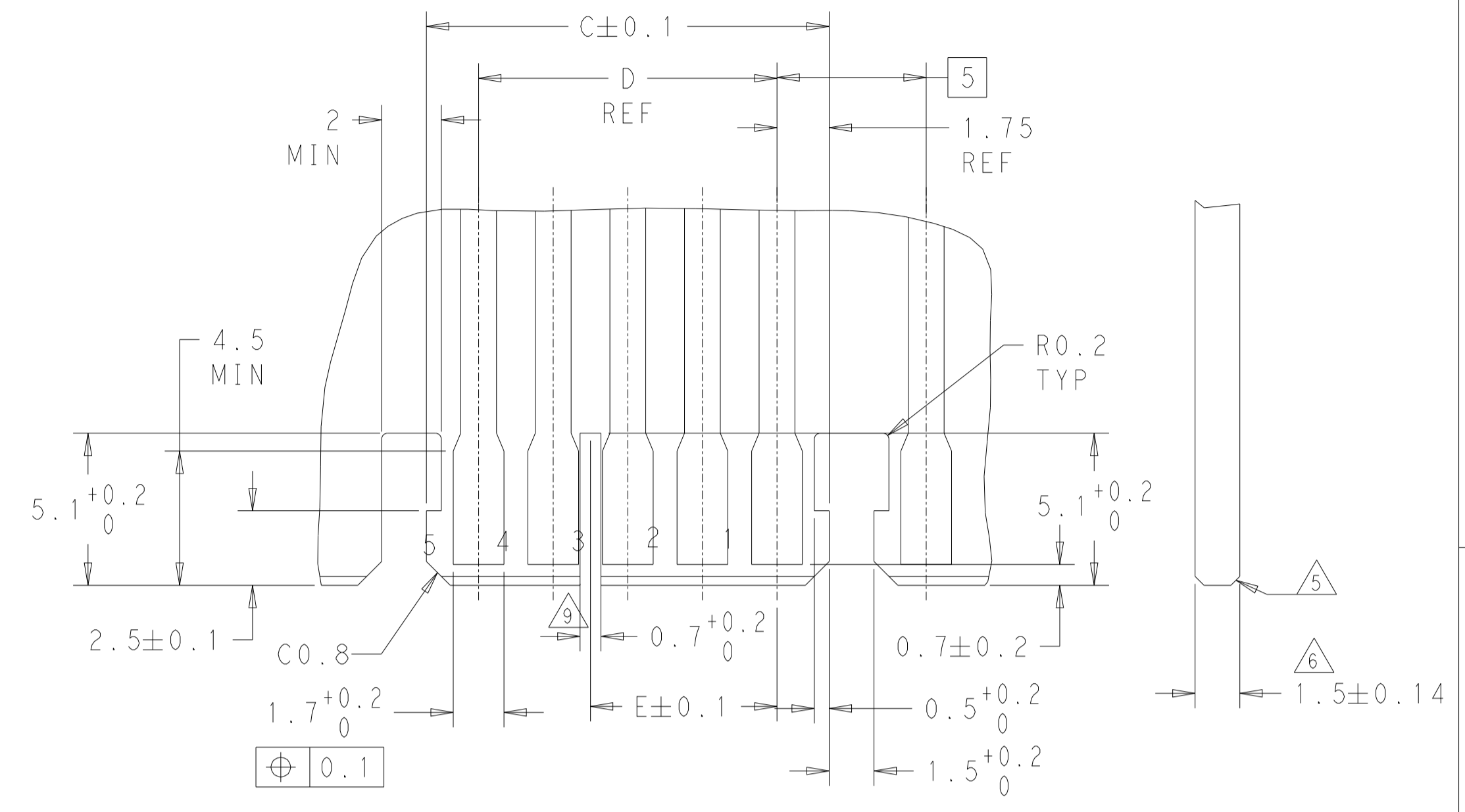


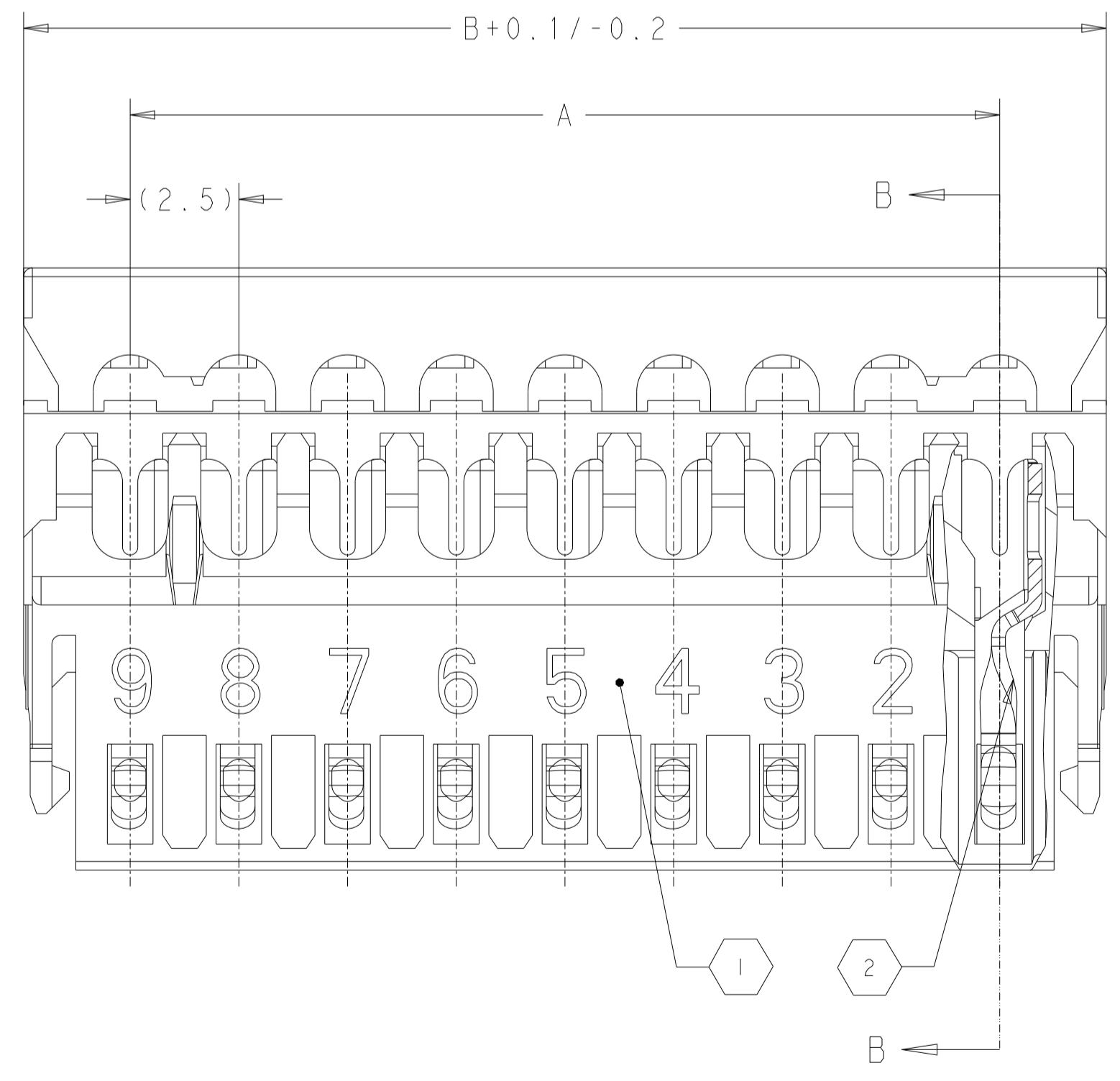
REVISIONS				
P	LTN	DESCRIPTION	DATE	APVD
B15	ECR-21-114094		22SEP2021	SM FL
B16	ECR-21-115352		04OCT2021	SM FL
B17	ECR-21-117870		21OCT2021	SM FL
B18	ECR-21-118573		17NOV2021	SM FL



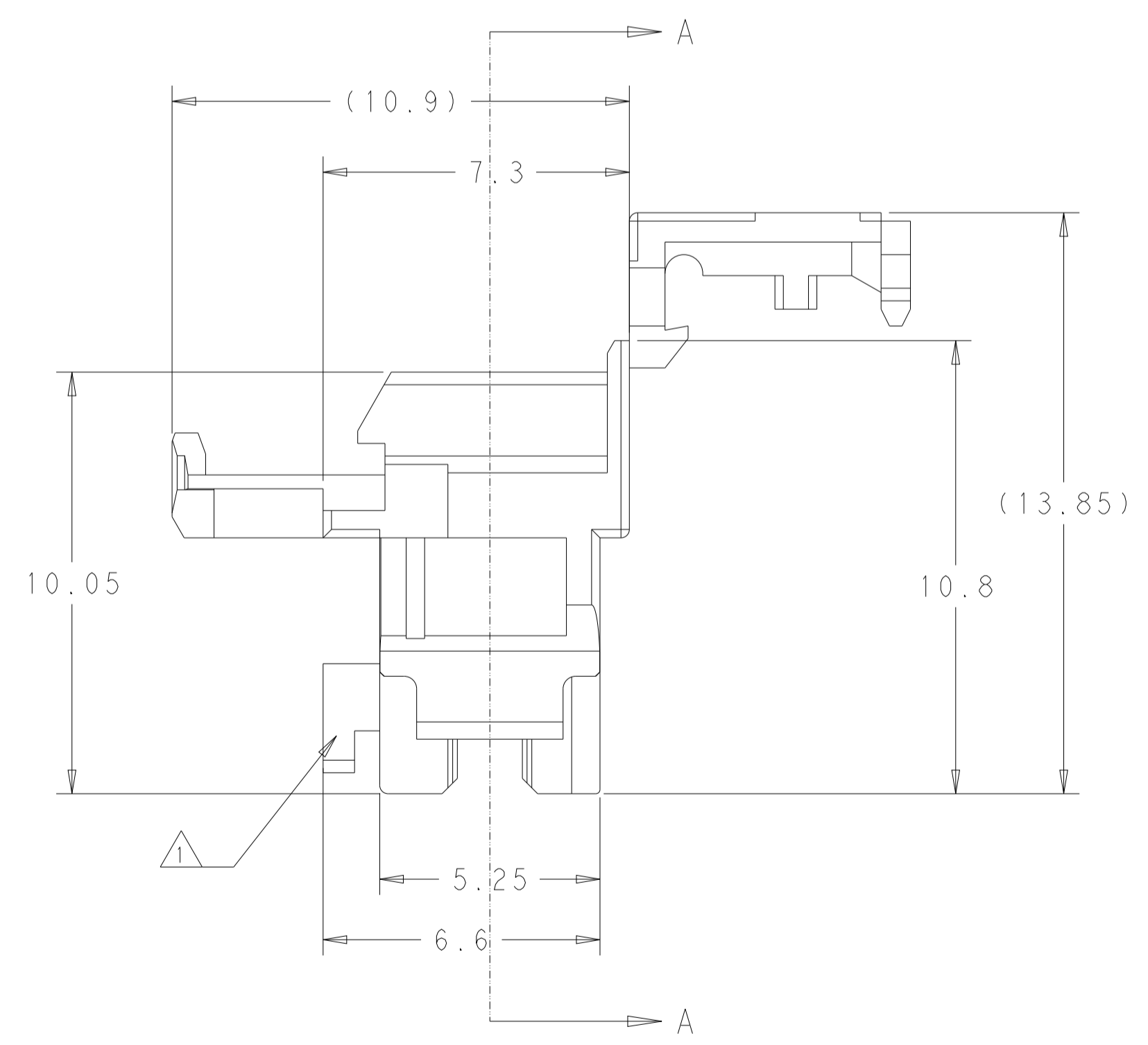
- 1 STRIPE IN YELLOW COLOR WHERE SHOWN PRESENT ON THE PARTS PRODUCED IN TE COLLEGO ONLY
- 2 PNs WITHOUT THE INTERNAL WALL NEED ASSISTANT GUIDE DURING THE APPLICATION SUCH AS RAST TAB HEADER
- 3 PRELIMINARY PART NOT RELEASED FOR PRODUCTION
- 4 CAVITY NO.
- 5 KEYING, BETWEEN POSITION
- 6 COLOR MARKING IN THIS AREA.
- 7 SLOT FOR KEYING BETWEEN POSITION
- 8 COLOR STRIP ON COVER OF HOUSING. NOT THE COLOR OF HOUSING
- 9 TE LOGO
- 10 INCLUSIVE COPPER LOADING
- 11 PCB PREFERABLY CHAMFERED
- 12 WIRE RANGE: 0.22-0.35mm² SEE APPLICATION SPEC. 114-18467-1
- 13 IEC60695-2-11 / IEC60335-1 GLOW WIRE TEST 750 °C WITHOUT FLAME
- 14 MATING PART: PCB (WITH FRAMES ACC. RAST 2.5 E.G. PN 964 575/576) TABHEADER PN 1971 817/921
- 15 KEYING RIBS; CUTTING WITH TERMINATION MACHINE POSSIBLE



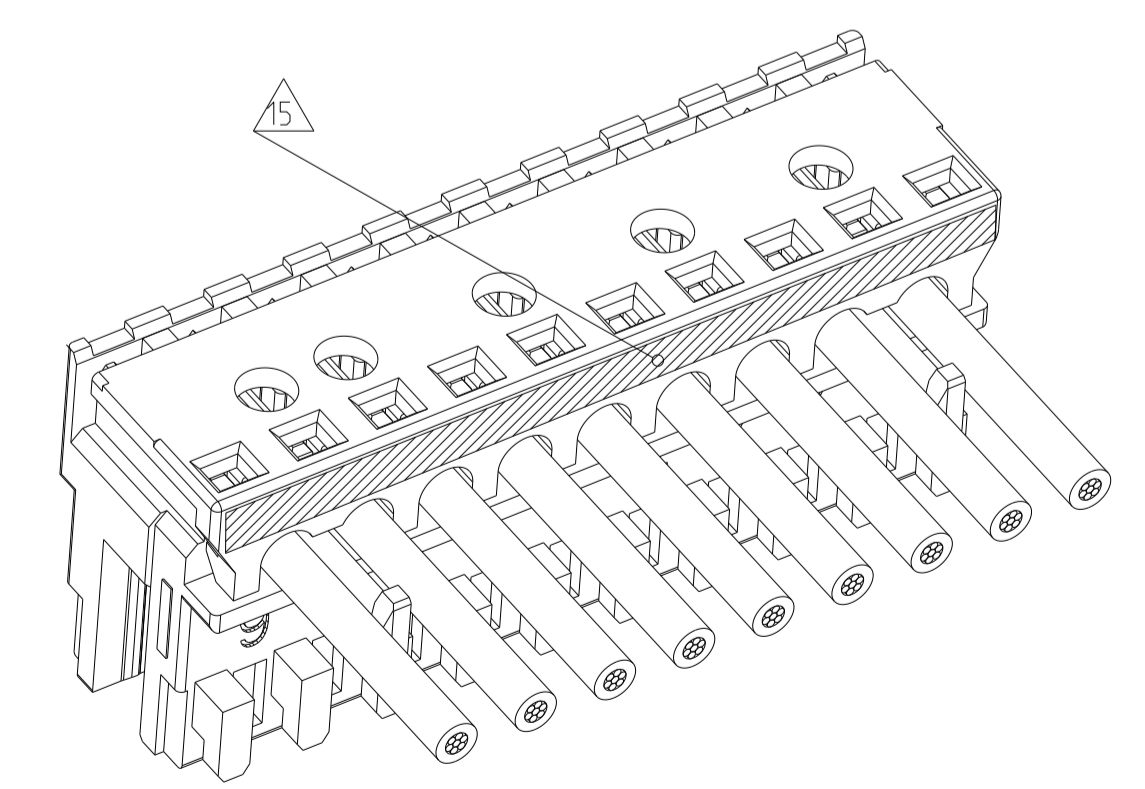
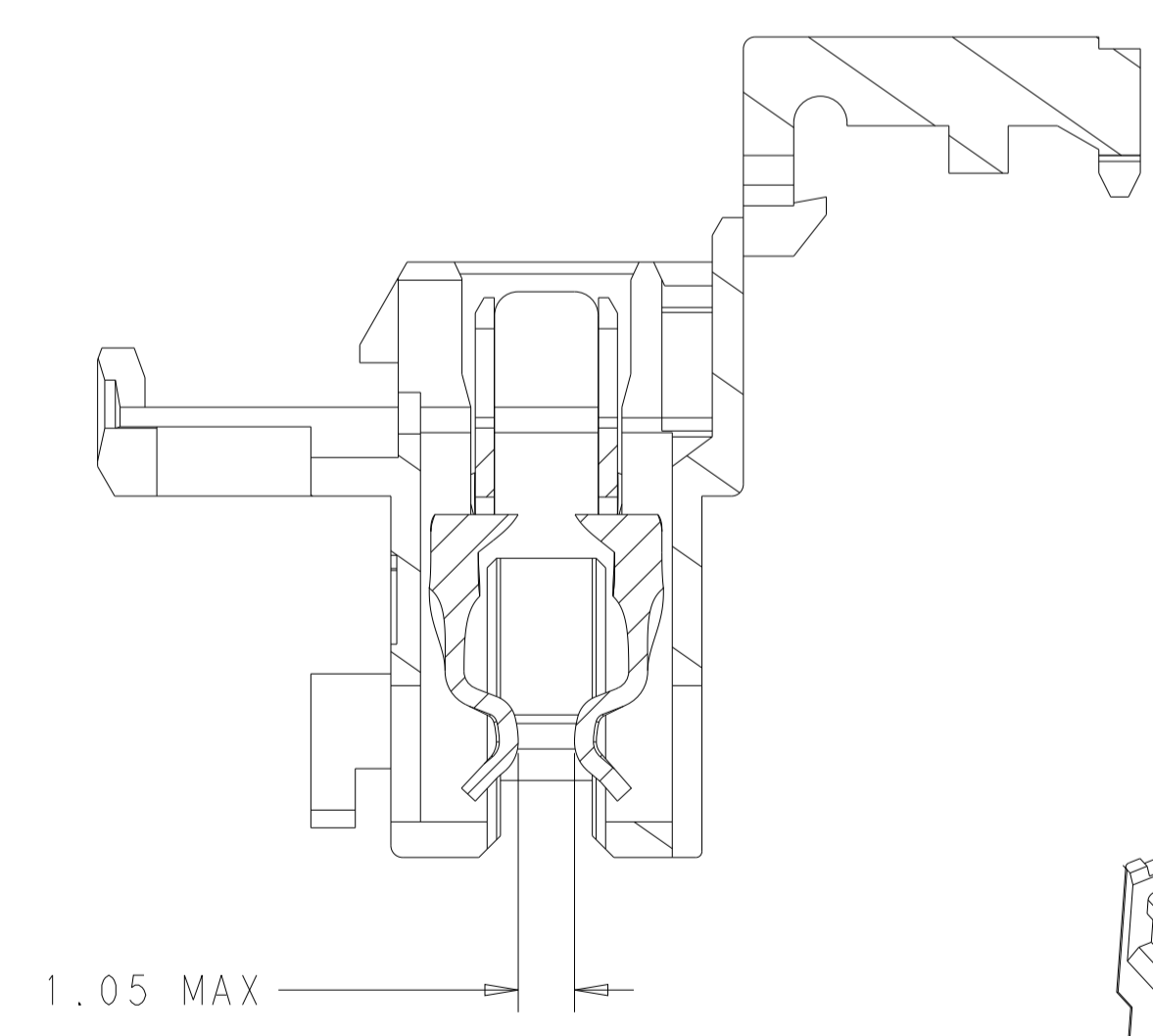
PCB LAYOUT - SOLDERING SIDE



SECTION A-A



SECTION B-B



2	SEE TABLE	CONTACT	CuSn
1	SEE TABLE	HOUSING	PA 3
SL NO	PN	DESCRIPTION	MATERIAL

THIS DRAWING IS A CONTROLLED DOCUMENT. DWN Winter Wang 17-Nov-21
 CHK Daniel Zhong 15-Mar-17
 APVD Riccardo Robore 15-Mar-17

DIMENSIONS: mm
 TOLERANCES UNLESS OTHERWISE SPECIFIED:
 0 PLC ±0.2
 1 PLC ±0.2
 2 PLC ±0.2
 3 PLC ±0.2
 4 PLC ±0.2
 ANGLES FINISH ±0.2

MATERIAL: -
 FINISH: -

NAME: DUOPLUG MARK II SIDE LOCKING
 PRODUCT SPEC: 108-18785-1
 APPLICATION SPEC: 114-18467-1
 WEIGHT: -
 CUSTOMER DRAWING: -


SIZE: A1
 CAGE CODE: -
 DRAWING NO: C=2306286
 RESTRICTED TO: -

SCALE: 8:1
 SHEET: 1 OF 2
 REV: B18

REVISIONS				
P	LTN	DESCRIPTION	DATE	APVD
-	-	SEE SHEET 1	-	-

GWEPT 750°C NO FLAME & UL94-VO, SILVER PLATED VERSION																		
-	X	X	X	X	X	X	X	X	X	X	9	20.0	24.9	23.5	20.0	3.75	2/3	1-2369990-9
Red							X	X	X	X	4	7.5	12.4	11.0	7.5	6.25	3/4	1-2369990-4
Color Code	10	9	8	7	6	5	4	3	2	1	POS.	A	B	C	D	E	KEYING	PN Bestell-Nr.
CAVITIES LOADED																		

GWEPT 750°C NO FLAME & UL94-VO, TIN PLATED VERSION																		
-	X	0	X	X	0	X	0	X	0	X	10	22.5	27.4	26	22.5	6.25	3/4	1-2306287-0
-	X	X	X	X	X	X	X	X	X	X						3.75	2/3	1-2306286-0
-			X	X	X	X	X	X	X	X							2/3	1-2306286-9
Black			X	X	X	X	X	X	X	X						3.75	2/3	2306286-9
-			X	0	X	0	X	0	X	0	9	20	24.9	23.5	20		2/3	3-2306287-9
-			X	0	X	X	0	X	0	X						2/3	2-2306287-9	
-			X	X	0	X	0	X	0	X						-	1-2306287-9	
Green			X	0	X	X	0	X	0	X						3.75	2/3	2306287-9
-			X	0	X	0	X	X	X	X	8	17.5	22.4	21	17.5	3.75	2/3	2306287-8
-			X	X	X	X	X	X	X	X						11.25	5/6	1-2306286-8
-			X	X	X	X	X	X	X	X						3.75	2/3	2306286-8
Black			X	0	X	0	X	0	X							8.75	4/5	2-2306287-7
-			X	0	X	0	X	0	X		7	15	19.9	18.5	15	3.75	2/3	1-2306287-7
Blue			X	0	X	0	X	0	X							11.25	5/6	2-2306286-7
-			X	X	X	X	X	X	X							3.75	2/3	1-2306286-7
Black			X	X	X	X	X	X	X							2/3	2306286-7	
-			X	X	X	X	X	X	X							8.75	4/5	2-2306286-6
-			X	X	X	X	X	X	X		6	12.5	17.4	16	12.5	3.75	2/3	1-2306286-6
-			X	X	X	X	X	X	X							1.25	1/2	2306286-6
-			X	0	X	X	0	X							3.75	2/3	4-2306287-6	
-			X	X	0	X	0	X							8.75	4/5	3-2306287-6	
-			X	0	X	X	0	X							4/5	2-2306287-6		
-			X	0	X	X	0	X							3.75	2/3	1-2306287-6	
Black			X	0	X	X	0	X							3.75	2/3	2306287-6	
-			X	0	X	0	X								3.75	2/3	2-2306287-5	
-			X	X	X	0	X								6.25	3/4	1-2306287-5	
Blue			X	X	X	0	X		5	10	14.9	13.5	10		6.25	3/4	2306287-5	
-			X	X	X	X	X							1.25	1/2	5-2306286-5		
-			X	X	X	X	X							6.25	3/4	4-2306286-5		
-			X	X	X	X	X							3.75	2/3	3-2306286-5		
Green			X	X	X	X	X							1.25	1/2	2-2306286-5		
Red			X	X	X	X	X							6.25	3/4	1-2306286-5		
Black			X	X	X	X	X							3.75	2/3	2306286-5		
-			X	X	X	X					4	7.5	12.4	11	7.5	6.25	3/4	3-2306286-4
-			X	X	X	X								1.25	1/2	2-2306286-4		
Red			X	X	X	X								6.25	3/4	1-2306286-4		
Black			X	X	X	X								1.25	1/2	2306286-4		
-			X	0	X						3	5	9.9	8.5	5	1.25	1/2	3-2306287-3
-			X	0	X									3.75	2/3	2-2306287-3		
Green			X	0	X									1.25	1/2	1-2306287-3		
Blue			X	0	X									3.75	2/3	2306287-3		
-			X	X	X									3.75	2/3	3-2306286-3		
-			X	X	X									1.25	1/2	2-2306286-3		
Black			X	X	X									3.75	2/3	1-2306286-3		
Red			X	X	X									1.25	1/2	2306286-3		
Color Code	10	9	8	7	6	5	4	3	2	1	POS.	A	B	C	D	E	KEYING	PN Bestell-Nr.
CAVITIES LOADED																		

THIS DRAWING IS A CONTROLLED DOCUMENT.		DWN Winter Wang 17-Nov-21 CHK Daniel Zhong 15-Mar-17 APVD Riccardo Robore 15-Mar-17	 TE Connectivity	
DIMENSIONS: mm	TOLERANCES UNLESS OTHERWISE SPECIFIED: 0 PLC ±0.2 1 PLC ±0.2 2 PLC ±0.2 3 PLC ±0.2 4 PLC ±0.2 ANGLES ±0.2 FINISH	NAME DUOPLUG MARK II SIDE LOCKING PRODUCT SPEC 108-18785-1 APPLICATION SPEC 114-18467-1	SIZE A1 CAGE CODE C=2306286	DRAWING NO. 108-18785-1 SHEET 2 OF 2 SCALE 8:1 REV B18
MATERIAL		WEIGHT	CUSTOMER DRAWING	

Mouser Electronics

Authorized Distributor

Click to View Pricing, Inventory, Delivery & Lifecycle Information:

[TE Connectivity:](#)

[3-2306287-3](#)