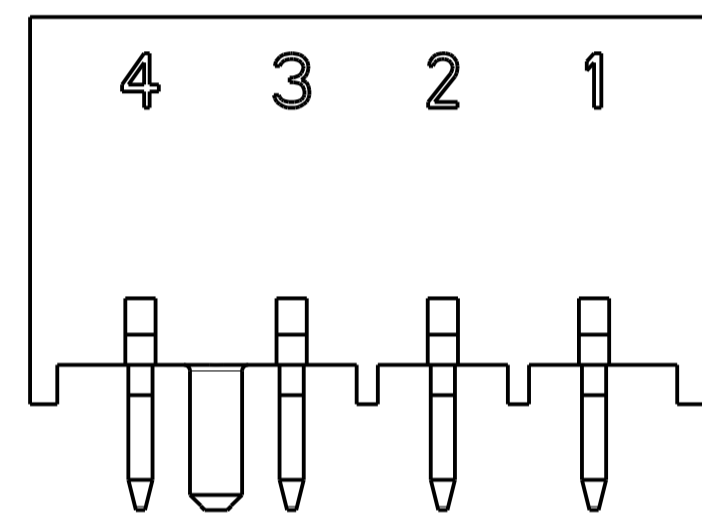
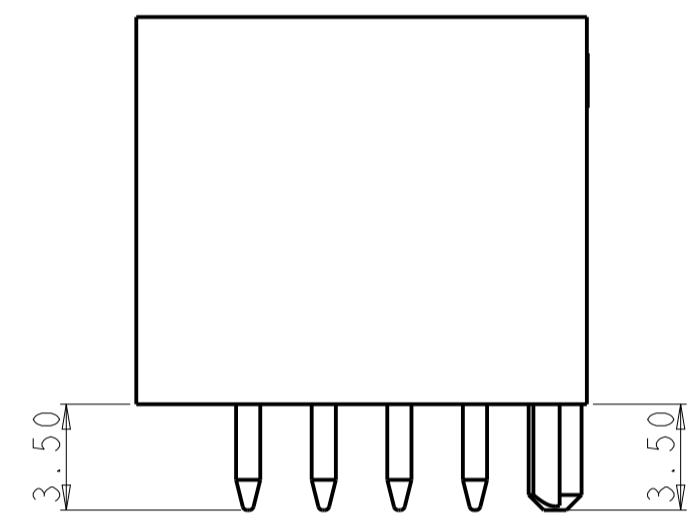
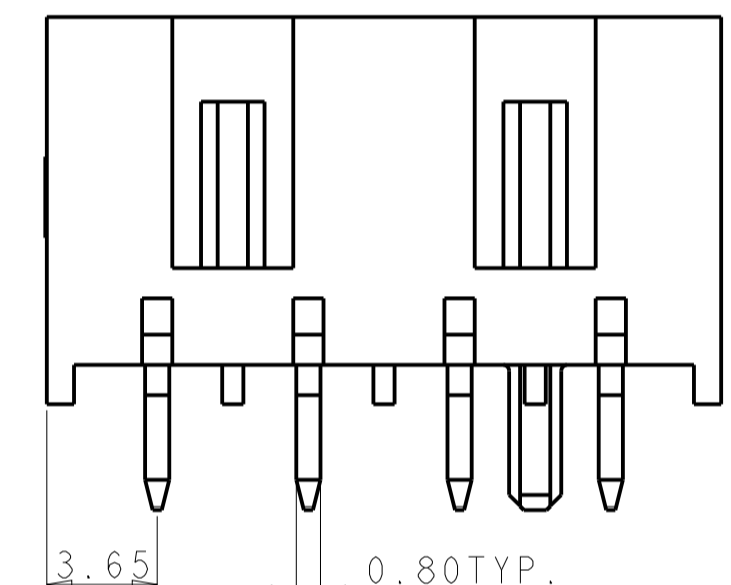
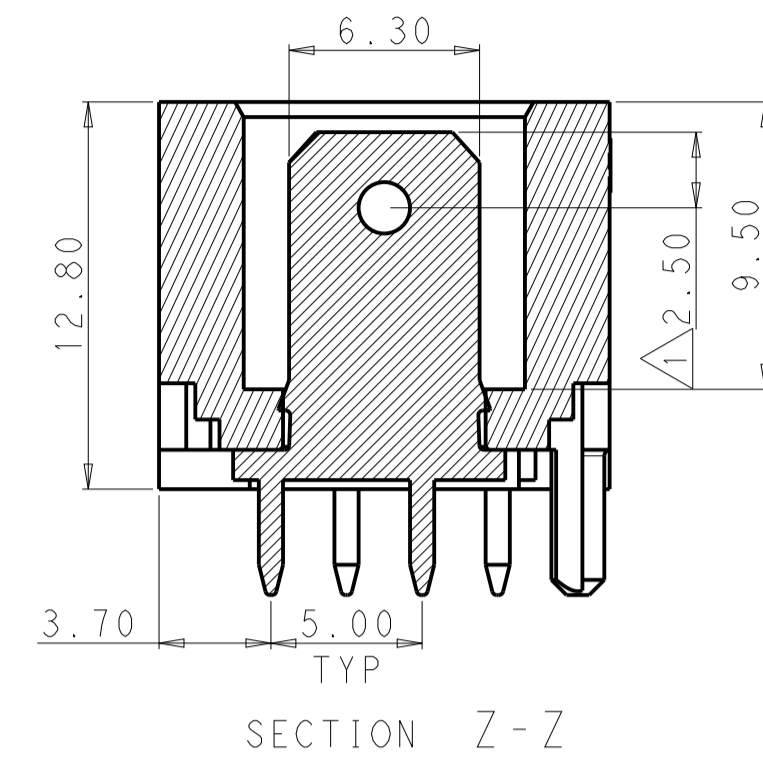
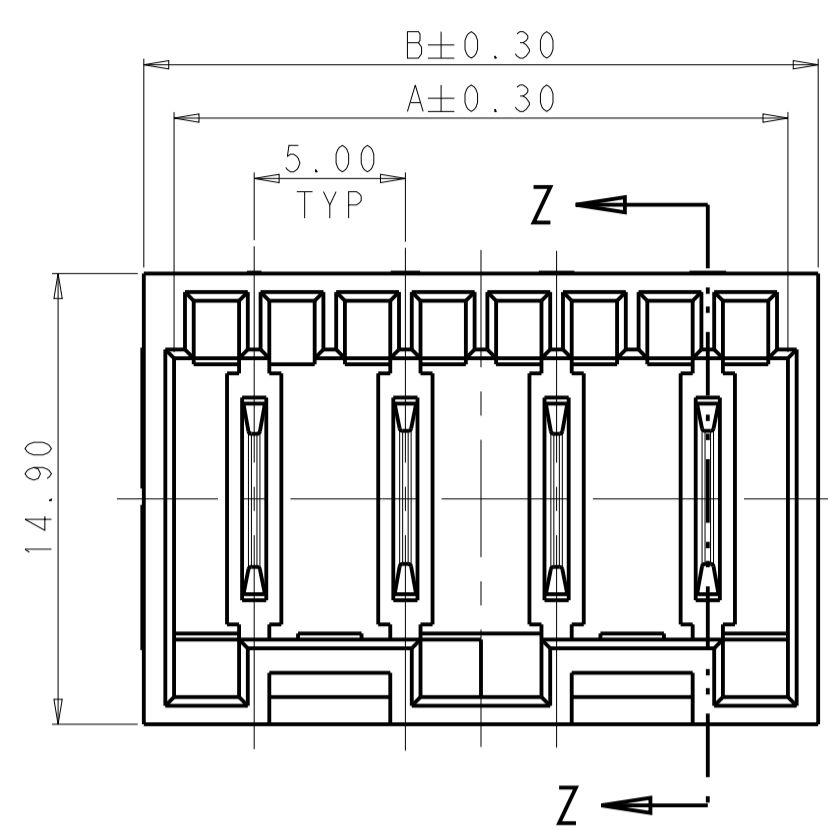
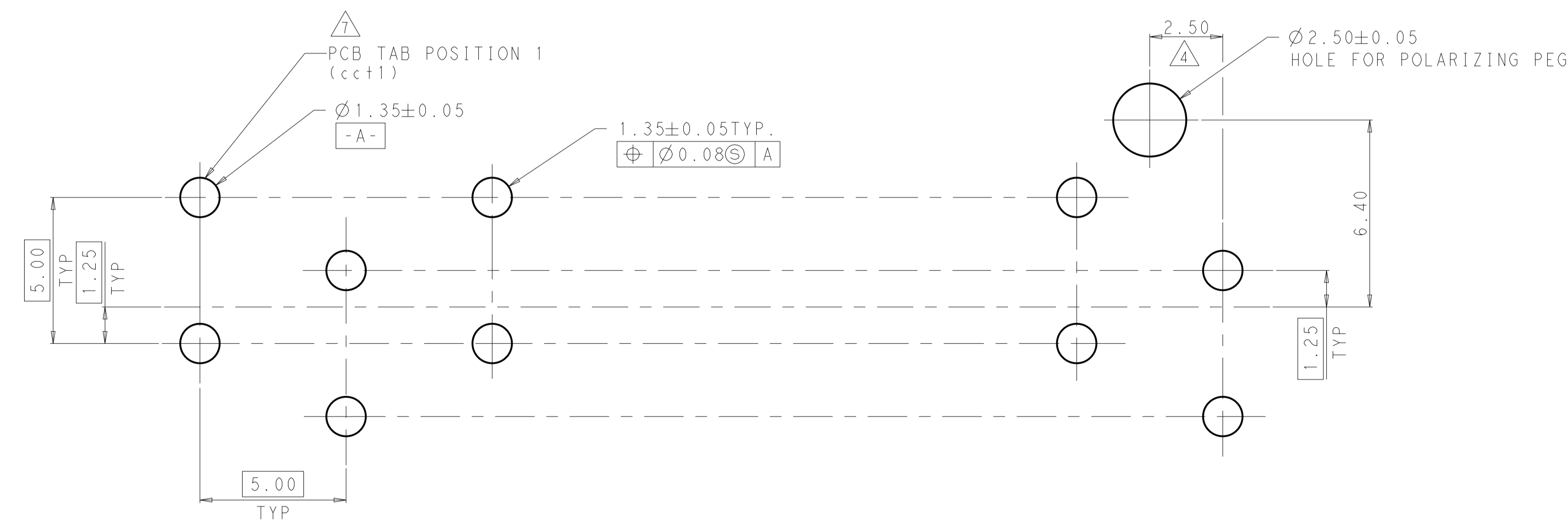
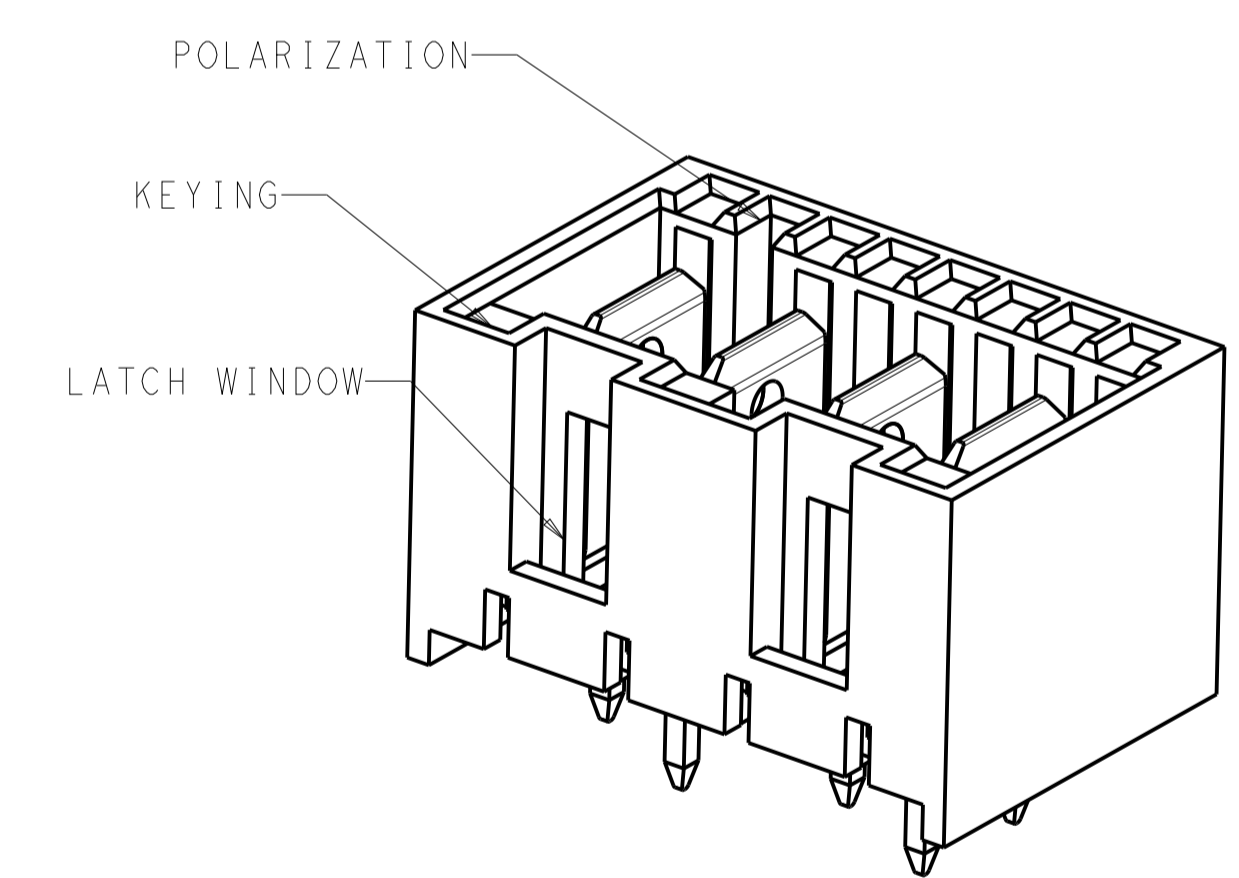


REVISONS		DATE	DWN	APVD
A4	ECR-16-016543	22NOV2016	WW	RR
A5	ECR-19-009802	26JUN2019	KD	FL
B	ECR-21-100880	17MAR2021	KD	FL



- 1. HOUSING HAS RAST 5 COMPLIANT KEYING, LATCHING, AND POLARIZATION. TAB IS 6.3 x 0.8, HOWEVER, THE LOCATION OF THE TAB HOLE DOES NOT MEET DIN 46244.
 - 2. RECOMMENDED MATING CONNECTOR FAMILIES INCLUDE POSITIVE-LOCK RAST 5, STANDARD TIMER RAST 5, MULTIFITTING, MULTIFITTING MKII, AND MONO-SHAPE TAB CONNECTORS.
 - 3. SEE SHEET 2&3 FOR AVAILABLE CONFIGURATIONS.
 - 4. DIMENSION OFF OF LAST POSITION REGARDLESS OF EVEN OR ODD POSITION HEADER.
 - 5. MATERIAL: HOUSING, NYLON, UL 94V-0. CONTACT, BRASS, 0.8mm THICK.
 - 6. FINISH: CONTACTS, TIN PLATING OVER NICKEL UNDERPLATING SILVER PLATING OVER NICKEL UNDERPLATING.
 - 7. PCB TABS INSERTED IN A STAGGERED PATTERN BEGINNING WITH POSITION 1.
 - 8. THE PART NUMBERS SHOWN IN SHEET 2&3 ARE FOR NATURAL COLOR. THE PART NUMBERS FOR OTHER COLORS ARE BASED ON THE NATURAL ONE; FOR THE SAME CONFIGURATION, THE PREFIX AND POSTFIX OF THE P/N ARE THE SAME, ONLY THE BASE NUMBER IS DIFFERENT ACCORDING TO DIFFERENT COLOR. THE DETAILS SEE SHEET 4.
 - 9. PACKAGING: LOOSE PIECE OR TUBE. THE PART NUMBERS IN THIS DRAWING ARE WITH LOOSE PICE PACKAGING. PLEASE CONTACT TE SALES REPRESENTATIVES FOR TUBE PACKAGING REQUIREMENT.
 - 10. PRODUCT COMPLY WITH GLOW WIRE REQUIREMENTS FOR PARTS OF NON-METALLIC MATERIAL SUPPORTING A CURRENT-CARRYING CONNECTION DETAILED IN IEC 60335-1, SECTION 30 (GWT).
- ⚠ PRELIMINARY, NOT FOR PRODUCTION.
 ⚠ PART NUMBERS WITH TUBE PACKAGING.



PCB LAYOUT-COMPONENT SIDE
 PCB IS 1.50±0.20 THICK

42.3	40.3	8
37.3	35.3	7
32.3	30.3	6
27.3	25.3	5
22.3	20.3	4
17.3	15.3	3
12.3	10.3	2
B	A	NO. OF POS.

THIS DRAWING IS A CONTROLLED DOCUMENT.		DWN: DANIEL ZHANG 02AUG2013		
DIMENSIONS: mm		CHK: DANIEL ZHANG 02AUG2013		
TOLERANCES UNLESS OTHERWISE SPECIFIED:		APVD: YUZHONG MAO 02AUG2013	NAME: ASSEMBLY, POSITIVE LOCK RAST 5, HEADER VERTICAL	
0 PLC ±	1 PLC ±	PRODUCT SPEC: 108-106080	SIZE: A1	
2 PLC ±0.25	3 PLC ±	APPLICATION SPEC:	CAGE CODE: 2232532	
4 PLC ±	ANGLES ±	WEIGHT:	Customer Drawing	
MATERIAL:		SCALE: 8:1	SHEET 1 OF 4	
FINISH:		REV: B		

REVOLUTIONS		DATE	OWN	APPR
NO.	DESCRIPTION			
-	SEE SHEET 1	-	-	-

COLOR	FINISH TAB POST	LATCH WINDOWS	KEYING	POLARIZATION	NO. OF POS.	PART NUMBER
NATURAL	SILVER PLATED	1-2	1c, 2d	1a, 1b, 2a, 2b	2	6-2232560-2
		1-2	2d	1a, 1b	2	5-2232560-2
		1-2	-	2a, 2b	2	4-2232560-2
		1-2	1c, 2d	1a, 2b	2	3-2232560-2
		1-2	1c	2a	2	2-2232560-2
		1-2	-	1a, 1b, 2a, 2b	2	1-2232560-2
		1-2	-	-	2	2232560-2

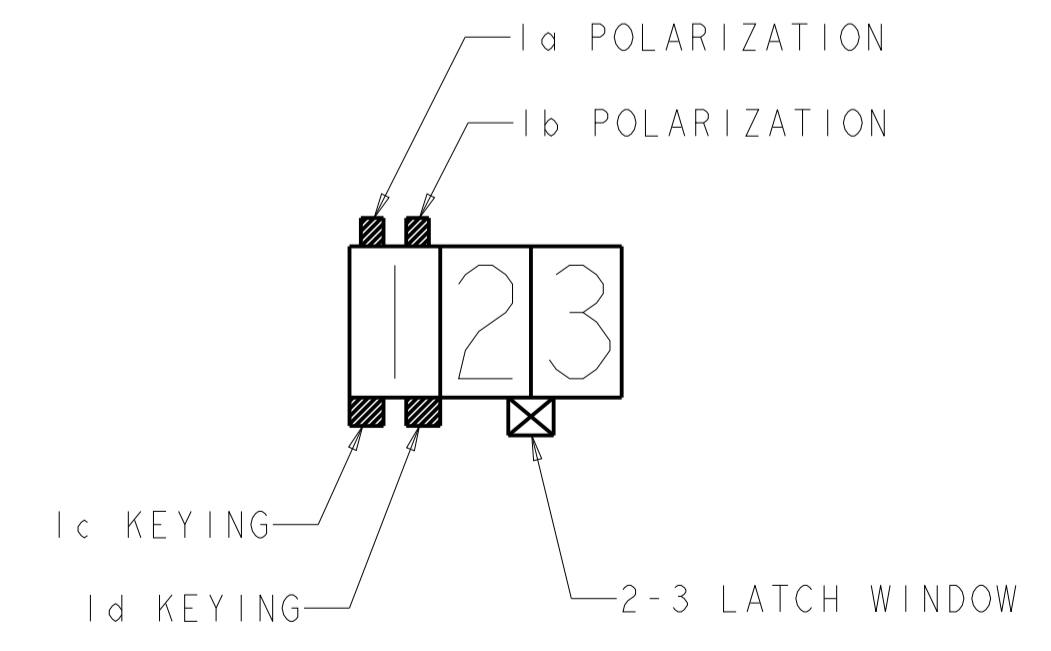
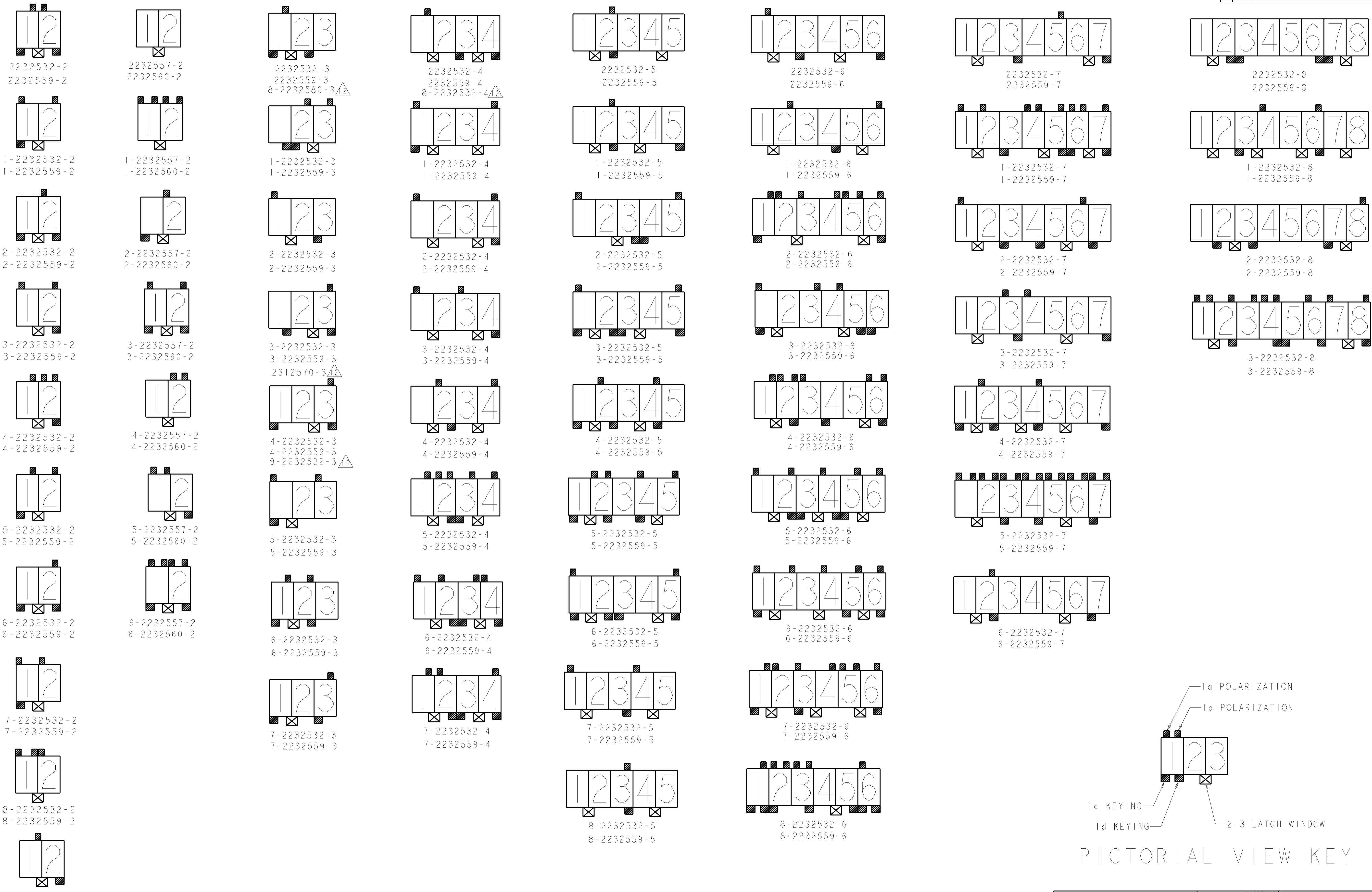
COLOR	FINISH TAB POST	LATCH WINDOWS	KEYING	POLARIZATION	NO. OF POS.	PART NUMBER
NATURAL	SILVER PLATED	1-2, 7-8	2d, 4d, 5c, 6d, 8d	1a, 1b, 2b, 3b, 4a, 4b, 6a, 7a, 8b	8	3-2232559-8
		2-3, 7-8	2c, 3d, 7c	8b	8	2-2232559-8
		1-2, 3-4, 5-6, 7-8	3c, 6d	4a, 6b	8	1-2232559-8
		1-2, 7-8	2d, 3c, 6d, 7c	-	8	2232559-8
		1-2, 5-6	2d, 7c	2b	6	6-2232559-7
		1-2, 5-6	3c, 4d, 7c	1a, 1b, 2a, 2b, 3a, 3b, 4a, 4b, 5a, 5b, 6a, 6b, 7a, 7b	5	5-2232559-7
		1-2, 3-4, 5-6	1c, 2d, 4d, 7d	2a, 4b	7	4-2232559-7
		1-2, 5-6	3d, 7d	3a, 4a	7	3-2232559-7
		1-2, 5-6	3c, 4d, 7c	1a, 6b	7	2-2232559-7
		1-2, 4-5, 6-7	3c, 5d, 6c, 7d	1a, 2a, 4a, 4b, 5b, 6a, 6b, 7b	7	1-2232559-7
		1-2, 6-7	3d, 7d	5b	7	2232559-7
		4-5	1c, 1d, 2c, 3d, 5d, 6c, 6d	1b, 2a, 2b, 3a, 3b, 6a	6	8-2232559-6
		1-2, 3-4, 5-6	1c, 3c, 6d	1b, 2a, 3a, 4b, 5a, 5b, 6b	6	7-2232559-6
		1-2, 3-4, 5-6	1c, 5c, 6d	1a, 2b, 4a, 5b, 6b	6	6-2232559-6
		1-2, 3-4, 5-6	2d, 3c, 4d, 5c	1a, 2b, 4a, 5b, 6b	6	5-2232559-6
		1-2, 5-6	2d, 4c, 6d	1b, 2a, 2b, 3a, 6a, 6b	6	4-2232559-6
		1-2, 4-5	1c, 5d, 6c	1a, 3b, 4b	6	3-2232559-6
		2-3, 5-6	1c, 6d	1b, 2a, 3a, 4b, 5a, 5b, 6b	6	2-2232559-6
		1-2, 5-6	4d	2b, 6b	6	1-2232559-6
		1-2, 4-5	3c, 6d	1b	6	2232559-6
		1-2, 4-5	3d	3b	5	8-2232559-5
		1-2, 4-5	3d	1a, 4a	5	7-2232559-5
		1-2, 4-5	1c, 2d, 3c, 5d	1a, 5b	5	6-2232559-5
		1-2, 4-5	1c, 2d, 4c	2a, 2b, 4a, 5b	5	5-2232559-5
		1-2, 3-4	1c, 2d, 4d	2a, 4b	5	4-2232559-5
		1-2, 3-4	1c, 2d, 3c, 5d	1a, 5b	5	3-2232559-5
		2-3	3d, 4c	1a, 5b	5	2-2232559-5
		1-2, 3-4	2d, 5d	2b	5	1-2232559-5
		1-2, 4-5	2d	2b	5	2232559-5
		1-2, 3-4	2d, 3c, 4d	1b, 2a, 4b	4	7-2232559-4
		1-2, 3-4	2d, 3c, 4d	1a, 2a, 3b, 4a	4	6-2232559-4
		1-2, 3-4	2d, 3c	1b, 2a, 2b, 3b, 4b	4	5-2232559-4
		1-2, 3-4	2d	2a, 4b	4	4-2232559-4
		1-2, 3-4	4d	1a, 3a	4	3-2232559-4
		1-2, 3-4	4d	1a, 4b	4	2-2232559-4
		1-2, 3-4	1c	1a, 4b	4	1-2232559-4
		1-2, 3-4	3c, 4d	1b	4	2232559-4
		1-2	1c, 3c	3b	3	7-2232559-3
		1-2	1c, 2d	1b, 2b	3	6-2232559-3
		1-2	1c	1a, 3a	3	5-2232559-3
		2-3	1c, 3d	3b	3	4-2232559-3
		2-3	1d, 3d	3b	3	3-2232559-3
		1-2	3c	1a	3	2-2232559-3
		2-3	1d, 2c	2b, 3b	3	1-2232559-3
		1-2	1c, 2d	1b	3	2232559-3
		1-2	2d	1b	2	9-2232559-2
		1-2	-	1a, 1b, 2a	2	8-2232559-2
		1-2	1c	1a, 2a	2	7-2232559-2
		1-2	1c, 2d	2b	2	6-2232559-2
		1-2	1c	1b, 2b	2	5-2232559-2
		1-2	2d	1b, 2a, 2b	2	4-2232559-2
		1-2	2d	1a, 2b	2	3-2232559-2
		1-2	1c, 2d	2a	2	2-2232559-2
		1-2	1c	1a, 2b	2	1-2232559-2
		1-2	1c, 2d	1b, 2a	2	2232559-2

COLOR	FINISH TAB POST	LATCH WINDOWS	KEYING	POLARIZATION	NO. OF POS.	PART NUMBER
NATURAL	TIN PLATED	1-2	1c, 2d	1a, 1b, 2a, 2b	2	6-2232557-2
		1-2	2d	1a, 1b	2	5-2232557-2
		1-2	-	2a, 2b	2	4-2232557-2
		1-2	1c, 2d	1a, 2b	2	3-2232557-2
		1-2	1c	2a	2	2-2232557-2
		1-2	-	1a, 1b, 2a, 2b	2	1-2232557-2
		1-2	-	-	2	2232557-2
COLOR	FINISH TAB POST	LATCH WINDOWS	KEYING	POLARIZATION	NO. OF POS.	PART NUMBER
		1-2, 7-8	2d, 4d, 5c, 6d, 8d	1a, 1b, 2b, 3b, 4a, 4b, 6a, 7a, 8b	8	3-2232532-8
		2-3, 7-8	2c, 3d, 7c	8b	8	2-2232532-8
		1-2, 3-4, 5-6, 7-8	3c, 6d	4a, 6b	8	1-2232532-8
		1-2, 7-8	2d, 3c, 6d, 7c	-	8	2232532-8
		1-2, 5-6	2d, 7c	2b	6	6-2232532-7
		1-2, 5-6	3c, 4d, 7c	1a, 1b, 2a, 2b, 3a, 3b, 4a, 4b, 5a, 5b, 6a, 6b, 7a, 7b	5	5-2232532-7
		1-2, 3-4, 5-6	1c, 2d, 4d, 7d	2a, 4b	7	4-2232532-7
		1-2, 5-6	3d, 7d	3a, 4a	7	3-2232532-7
		1-2, 5-6	3c, 4d, 7c	1a, 6b	7	2-2232532-7
		1-2, 4-5, 6-7	3c, 5d, 6c, 7d	1a, 2a, 4a, 4b, 5b, 6a, 6b, 7b	7	1-2232532-7
		1-2, 6-7	3d, 7d	5b	7	2232532-7
		4-5	1c, 1d, 2c, 3d, 5d, 6c, 6d	1b, 2a, 2b, 3a, 3b, 6a	6	8-2232532-6
		1-2, 3-4, 5-6	1c, 3c, 6d	1b, 2a, 3a, 4b, 5a, 5b, 6b	6	7-2232532-6
		1-2, 3-4, 5-6	1c, 5c, 6d	1a, 2b, 4a, 5b, 6b	6	6-2232532-6
		1-2, 3-4, 5-6	2d, 3c, 4d, 5c	1a, 2b, 4a, 5b, 6b	6	5-2232532-6
		1-2, 5-6	2d, 4c, 6d	1b, 2a, 2b, 3a, 6a, 6b	6	4-2232532-6
		1-2, 4-5	1c, 5d, 6c	1a, 3b, 4b	6	3-2232532-6
		2-3, 5-6	1c, 6d	1b, 2a, 3a, 4b, 5a, 5b, 6b	6	2-2232532-6
		1-2, 5-6	4d	2b, 6b	6	1-2232532-6
		1-2, 4-5	3c, 6d	1b	6	2232532-6
		1-2, 4-5	3d	3b	5	8-2232532-5
		1-2, 4-5	3d	1a, 4a	5	7-2232532-5
		1-2, 4-5	1c, 2d, 3c, 5d	1a, 5b	5	6-2232532-5
		1-2, 4-5	1c, 2d, 4c	2a, 2b, 4a, 5b	5	5-2232532-5
		1-2, 3-4	1c, 2d, 4d	2a, 4b	5	4-2232532-5
		1-2, 3-4	1c, 2d, 3c, 5d	1a, 5b	5	3-2232532-5
		2-3	3d, 4c	1a, 5b	5	2-2232532-5
		1-2, 3-4	2d, 5d	2b	5	1-2232532-5
		1-2, 4-5	2d	2b	5	2232532-5
		1-2, 3-4	3c, 4d	1b	4	8-2232532-4
		1-2, 3-4	2d, 3c, 4d	1b, 2a, 4b	4	7-2232532-4
		1-2, 3-4	2d, 3c, 4d	1a, 2a, 3b, 4a	4	6-2232532-4
		1-2, 3-4	2d, 3c	1b, 2a, 2b, 3b, 4b	4	5-2232532-4
		1-2, 3-4	2d	2a, 4b	4	4-2232532-4
		1-2, 3-4	4d	1a, 3a	4	3-2232532-4
		1-2, 3-4	4d	1a, 4b	4	2-2232532-4
		1-2, 3-4	1c	1a, 4b	4	1-2232532-4
		1-2, 3-4	3c, 4d	1b	4	2232532-4
		2-3	1c, 3d	3b	3	9-2232532-3
		1-2	1c, 2d	1b	3	8-2232532-3
		1-2	1c, 3c	3b	3	7-2232532-3
		1-2	1c, 2d	1b, 2b	3	6-2232532-3
		1-2	1c	1a, 3a	3	5-2232532-3
		2-3	1c, 3d	3b	3	4-2232532-3
		2-3	1d, 3d	3b	3	3-2232532-3
		2-3	1d, 3d	3b	3	3-2232532-3
		1-2	3c	1a	3	2-2232532-3
		2-3	1d, 2c	2b, 3b	3	1-2232532-3
		1-2	1c, 2d	1b	3	2232532-3
		1-2	2d	1b	2	9-2232532-2
		1-2	-	1a, 1b, 2a	2	8-2232532-2
		1-2	1c	1a, 2a	2	7-2232532-2
		1-2	1c, 2d	2b	2	6-2232532-2
		1-2	1c	1b, 2b	2	5-2232532-2
		1-2	2d	1b, 2a, 2b	2	4-2232532-2
		1-2	2d	1a, 2b	2	3-2232532-2
		1-2	1c, 2d	2a	2	2-2232532-2
		1-2	1c	1a, 2b	2	1-2232532-2
		1-2	1c, 2d	1b, 2a	2	2232532-2

THIS DRAWING IS A CONTROLLED DOCUMENT. DIMENSIONS: mm. TOLERANCES UNLESS OTHERWISE SPECIFIED: 0 PLC ±, 1 PLC ±, 2 PLC ±, 3 PLC ±, 4 PLC ±, ANGLES ±. MATERIAL: FINISH. WEIGHT: Customer Drawing. SCALE: 8:1. SHEET 2 OF 4. REV B.

Daniel Zhang, Yuhong Mao, ASSEMBLY, POSITIVE LOCK RAST 5, HEADER VERTICAL. A100779C=2232532

LOC		DIST		REVISIONS			
				REV	DATE	BY	APPV
-	-	-	-	1	SEE SHEET 1	-	-



PICTORIAL VIEW KEY

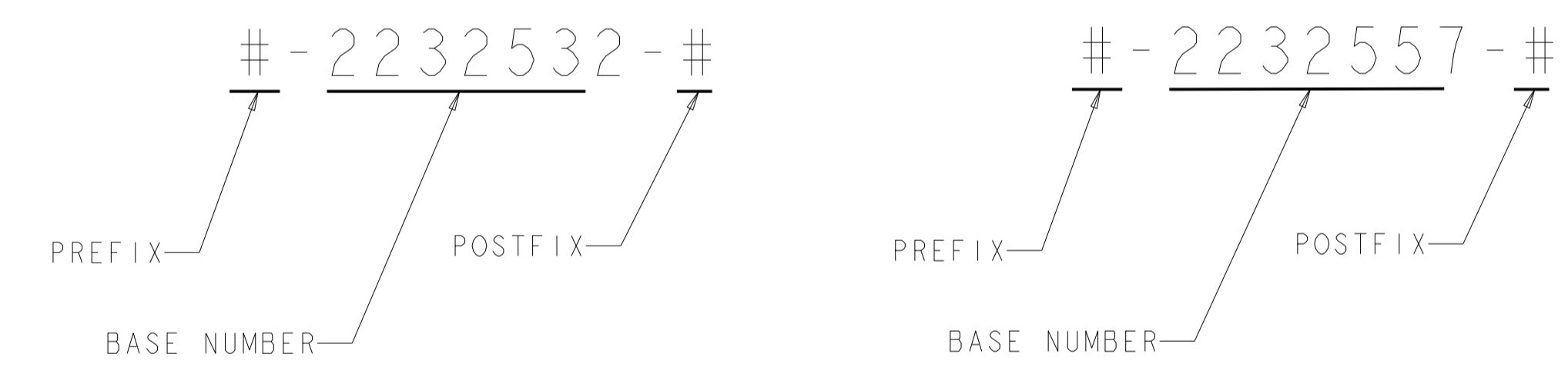
THIS DRAWING IS A CONTROLLED DOCUMENT.		OWN: DANIEL ZHANG 02AUG2013	TE Connectivity												
DIMENSIONS: mm		CHK: DANIEL ZHANG 02AUG2013													
TOLERANCES UNLESS OTHERWISE SPECIFIED:		APVD: YUHONG MAO 02AUG2013	NAME: ASSEMBLY, POSITIVE LOCK RAST 5, HEADER VERTICAL												
<table border="1"> <tr><td>0 PLC</td><td>±</td></tr> <tr><td>1 PLC</td><td>±</td></tr> <tr><td>2 PLC</td><td>±</td></tr> <tr><td>3 PLC</td><td>±</td></tr> <tr><td>4 PLC</td><td>±</td></tr> <tr><td>ANGLES</td><td>±</td></tr> </table>		0 PLC	±	1 PLC	±	2 PLC	±	3 PLC	±	4 PLC	±	ANGLES	±	PRODUCT SPEC	SIZE: A100779
0 PLC	±														
1 PLC	±														
2 PLC	±														
3 PLC	±														
4 PLC	±														
ANGLES	±														
MATERIAL: -		APPLICATION SPEC	DRAWING NO: C=2232532												
FINISH: -		WEIGHT: -	RESTRICTED TO: -												
Customer Drawing		SCALE: 8:1	SHEET 3 OF 4 REV B												

LOC		DIST		REVISIONS			
P	LTN	DESCRIPTION	DATE	DWN	APVD		
-	-	SEE SHEET 1	-	-	-		

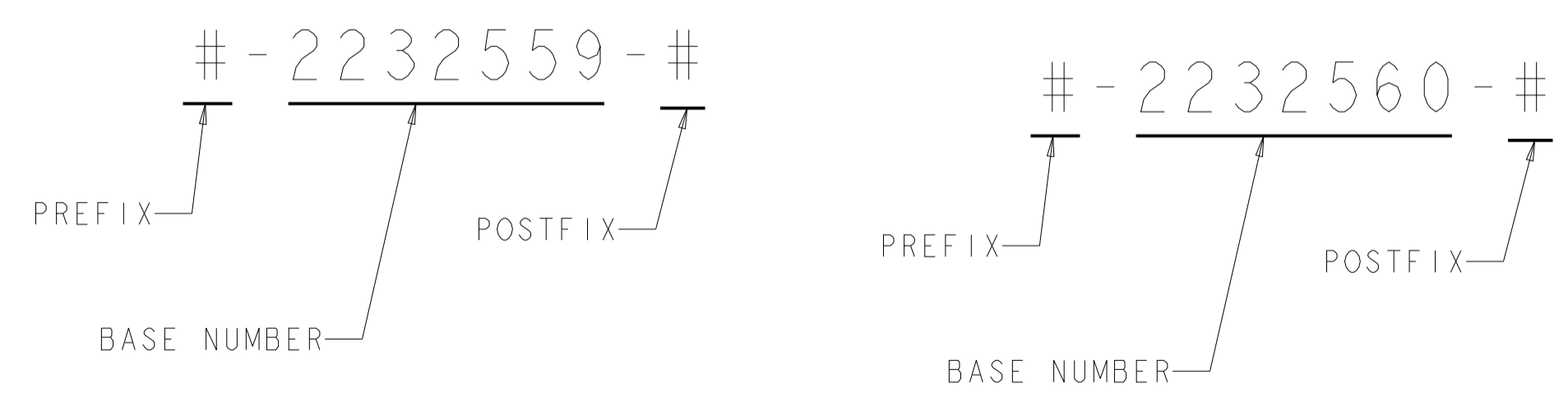
NOTES:
 1. FOR TAB HEADER COLOR CHOICE, THERE ARE EIGHT COLORS AVAILABLE, BESIDES THE NATURAL COLOR, THERE ARE OTHER SEVEN COLORS, INCLUDE: YELLOW, BLUE, GREY, PURPLE, RED, GREEN, BLACK. THE P/N OF THE COLOR TAB HEADER ARE BASED ON THE NATURAL TAB HEADER, THE PREFIX AND POSTFIX ARE THE SAME.
 2. MORE INFORMATION SEE COMMENTS IN RIGHT COLUMN OF BELOW CHART.

COLOR	PART NUMBER OF THE HOUSING		PART NUMBER OF TAB HEADER				COMMENTS
			WITH TIN PLATED CONTACT		WITH SILVER PLATED CONTACT		
NATURAL	*-1971849-*	*-1971893-*	#-2232532-#	#-2232557-#	#-2232559-#	#-2232560-#	THE DETAILS OF CONFIGURATION SEE SHEET 5&6.
RED	*-1971942-*	*-1971944-*	#-2232562-#	#-2232563-#	#-2232565-#	#-2232566-#	IF THE PREFIX AND POSTFIX NUMBERS OF DIFFERENT COLOR HEADER ARE SAME AS THE ONES OF THE NATURAL TAB HEADER AND THEY ARE IN SAME COLUMN, SO THEY SHOULD HAVE THE SAME CONFIGURATION: SAME KEYING, POLARIZATION AND LATCH WINDOW.
BLUE	*-1971950-*	*-1971952-*	#-2232568-#	#-2232569-#	#-2232571-#	#-2232572-#	
YELLOW	*-2232012-*	*-2232014-*	#-2232574-#	#-2232575-#	#-2232577-#	#-2232578-#	FOR DIFFERENT BASE NUMBER OF SAME COLOR HEADER, ONLY DIFFERENCE IS CONFIGURATION (KEYING, POLARIZATION AND LATCH WINDOW).
BLACK	*-2232004-*	*-2232006-*	#-2232580-#	#-2232581-#	#-2232583-#	#-2232584-#	
GREY	*-2232020-*	*-2232022-*	#-2232586-#	#-2232587-#	#-2232589-#	#-2232590-#	THE RELATED HOUSING PART NUMBERS OF DIFFERENT COLOR TAB HEADER ARE ALSO BASED ON NATURAL HOUSING, ONLY THE BASE NUMBER IS DIFFERENT, THE DETAILS SEE BOM IN SHEET 2,3&4.
GREEN	*-1971958-*	*-1971960-*	#-2232592-#	#-2232593-#	#-2232595-#	#-2232596-#	
PURPLE	*-2232028-*	*-2232030-*	#-2232598-#	#-2232599-#	#-2232601-#	#-2232602-#	THE "*" AND "#" CAN BE THE NUMBER FROM 0 TO 9.
WHITE	*-2232293-*	*-2232295-*	#-2232604-#	#-2232605-#	#-2232607-#	#-2232608-#	

**PART NUMBERS OF NATURAL COLOR TAB HEADER WITH TIN PLATED:



**PART NUMBERS OF NATURAL COLOR TAB HEADER WITH SILVER PLATED:



THIS DRAWING IS A CONTROLLED DOCUMENT.		DWN: DANIEL ZHANG 02AUG2013	TE Connectivity
DIMENSIONS: mm		CHK: DANIEL ZHANG 02AUG2013	
TOLERANCES UNLESS OTHERWISE SPECIFIED: 0 PLC ± 1 PLC ± 2 PLC ± 3 PLC ± 4 PLC ± ANGLES ±		APVD: YUHONG MAO 02AUG2013	NAME: ASSEMBLY, POSITIVE LOCK RAST 5, HEADER VERTICAL
MATERIAL: -		FINISH: -	SIZE: A1 CAGE CODE: 00779 DRAWING NO: C=2232532
Customer Drawing		SCALE: 8:1	SHEET 4 OF 4 REV B

Mouser Electronics

Authorized Distributor

Click to View Pricing, Inventory, Delivery & Lifecycle Information:

[TE Connectivity:](#)

[3-2232532-3](#)