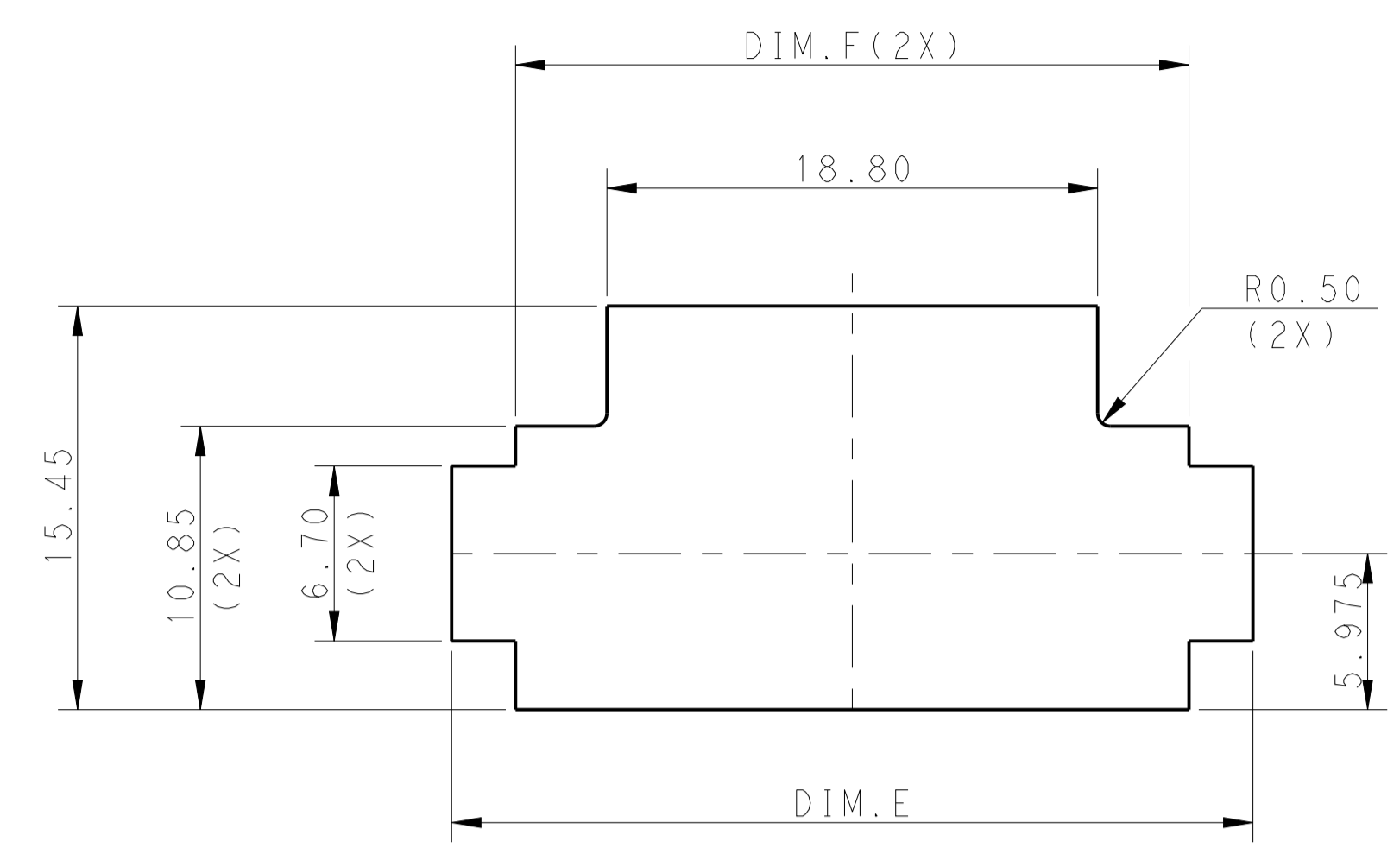
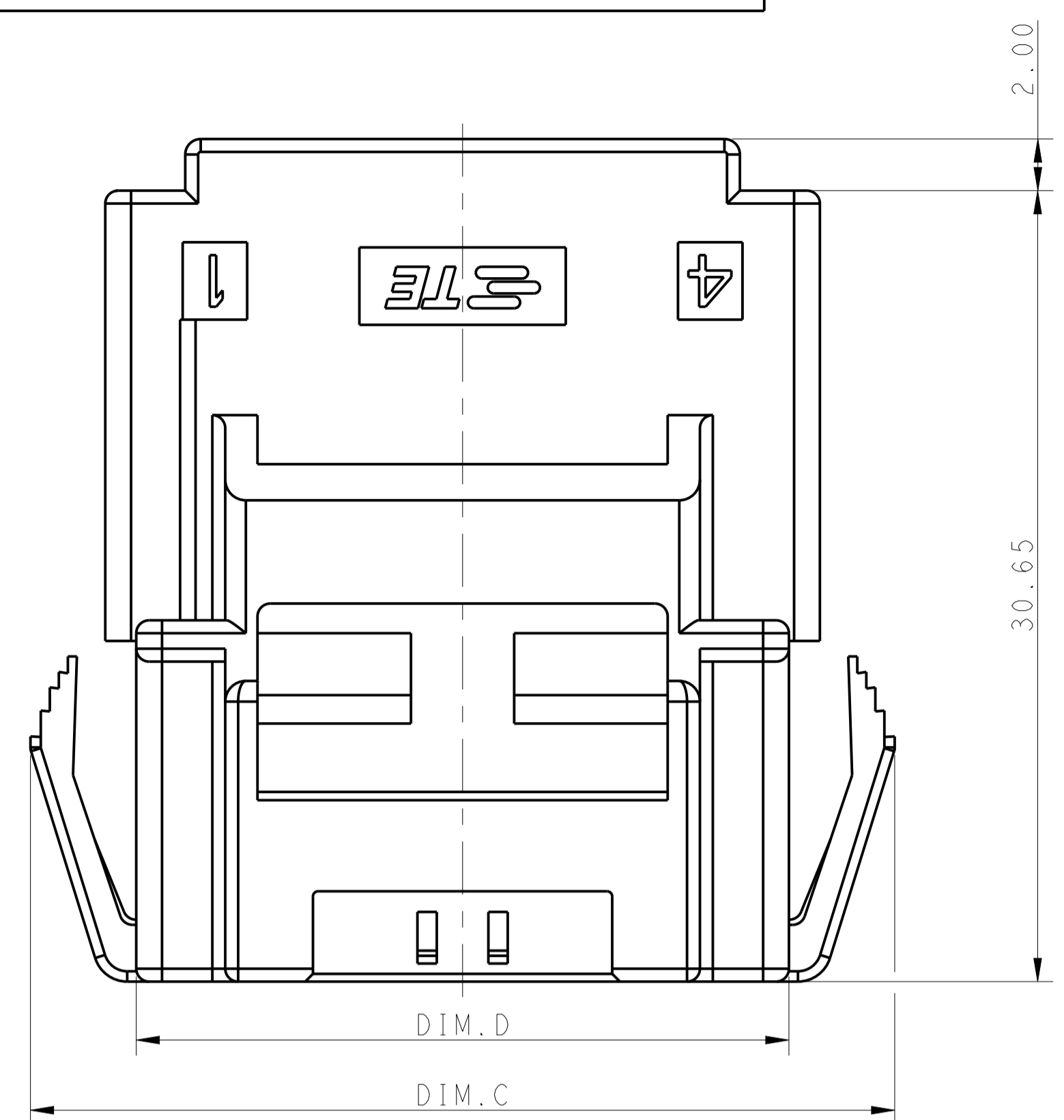
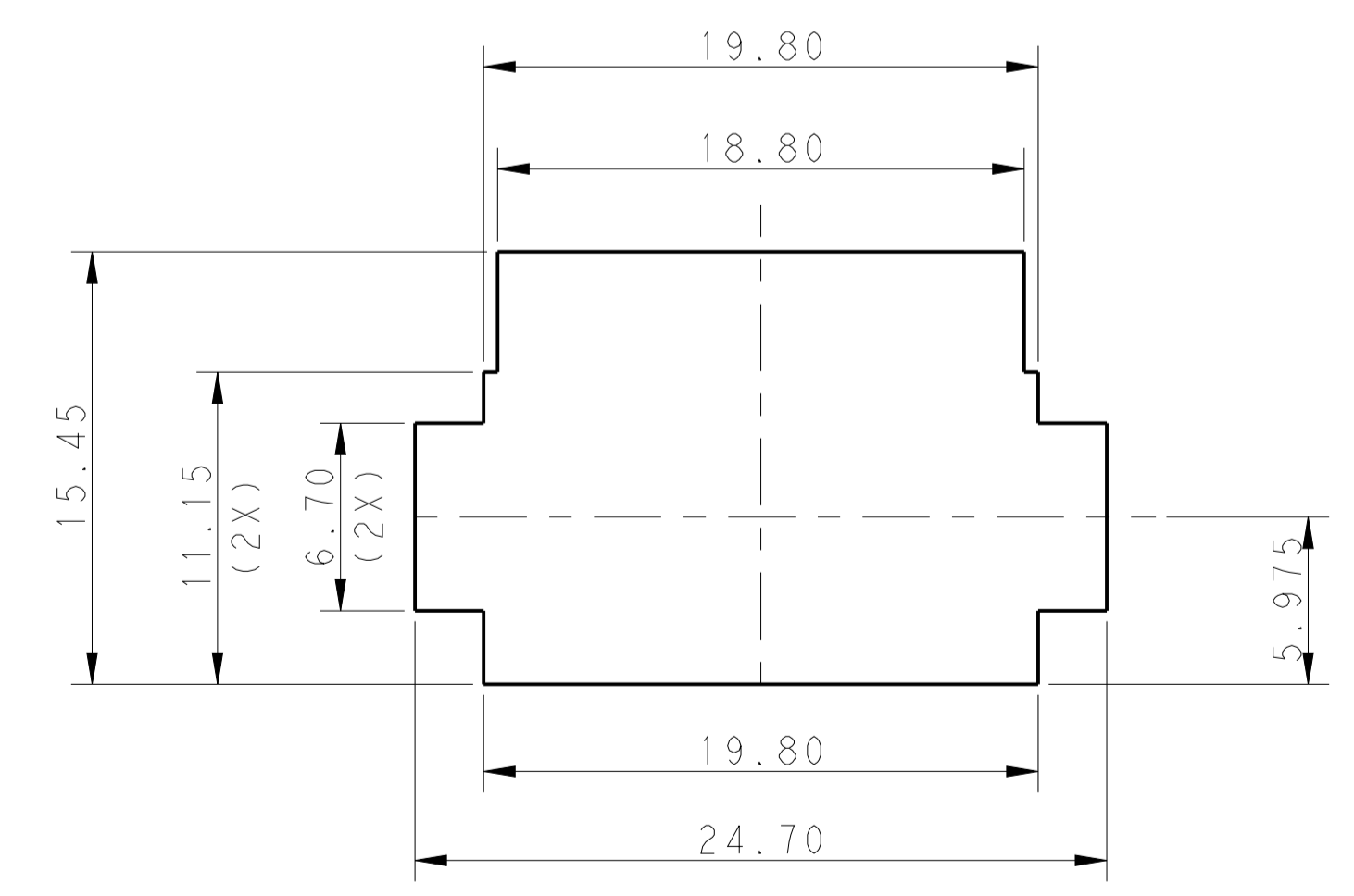
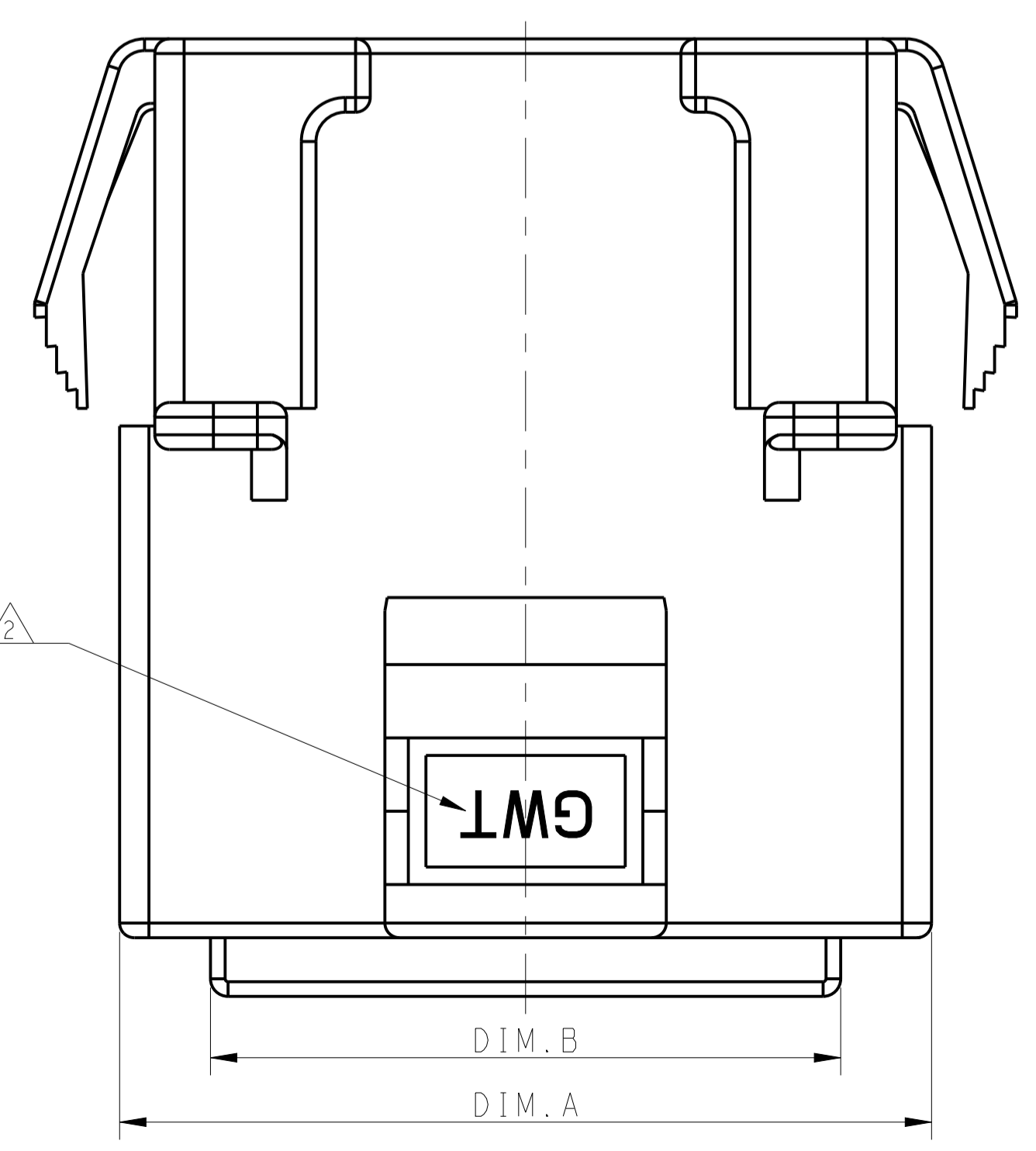
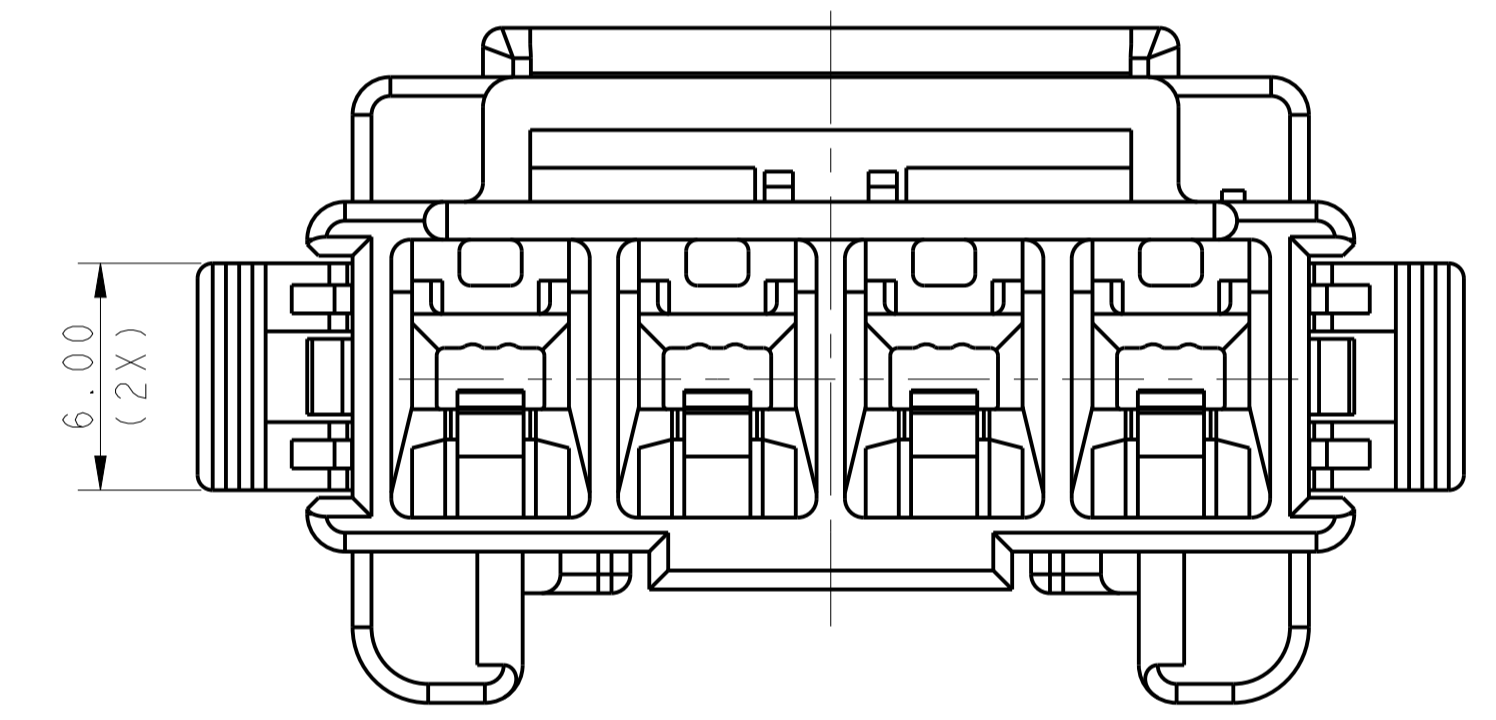
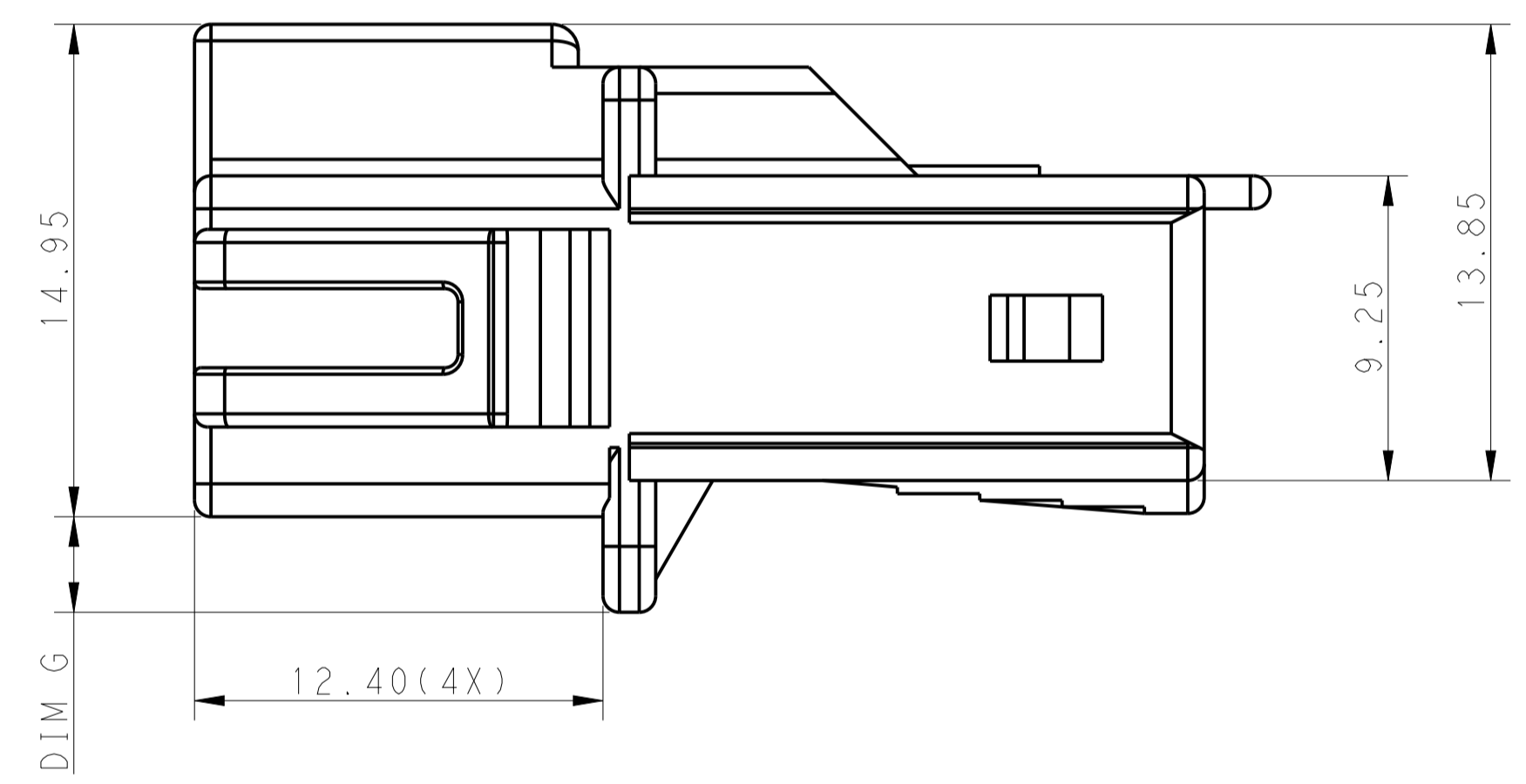
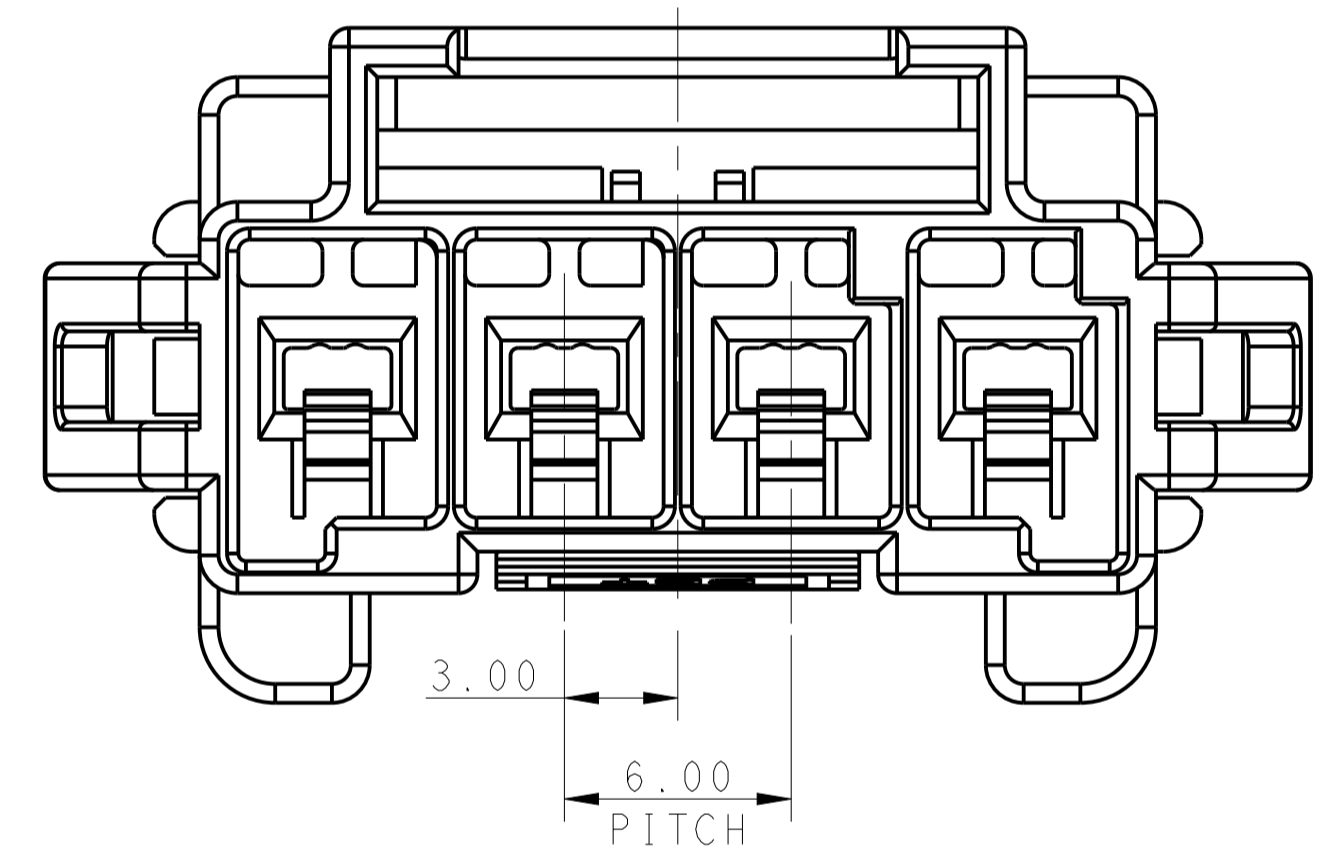


REVISIONS				
REV	DATE	DESCRIPTION	BY	CHK
F	08APR2021	REVISED PER ECR-21-100678	SS	VS

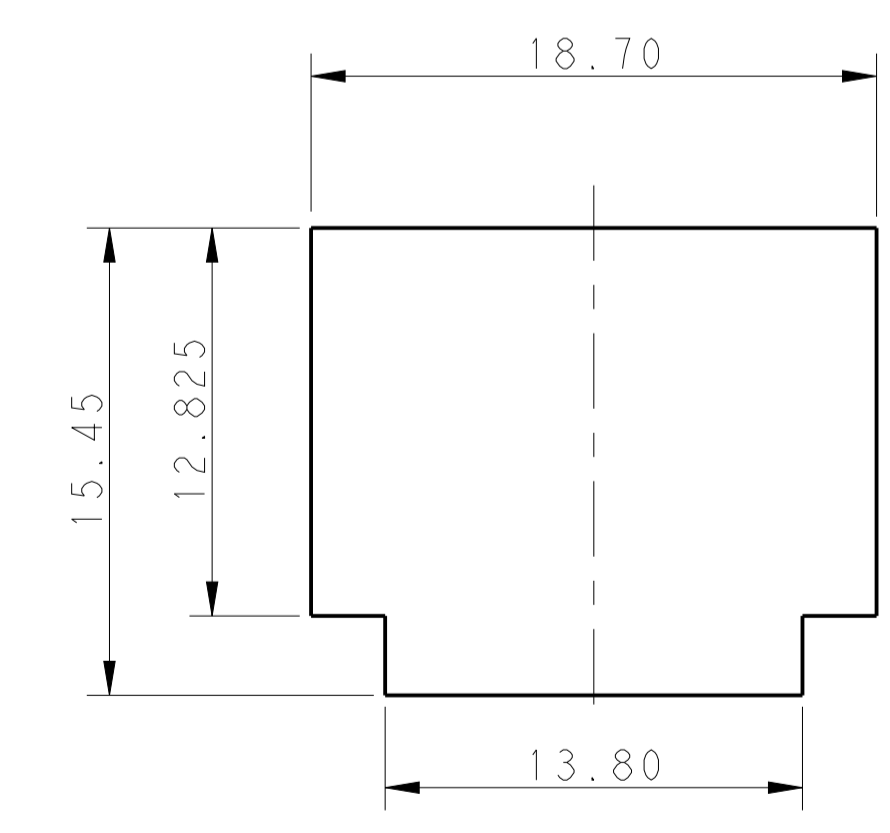


RECOMMENDED PANEL OPENING DIMENSIONS FOR CAP HOUSING 1*5 AND 1*4 POSITIONS (TOLERANCE: ±0.15mm)

- △ MATERIAL:
 LEVEL A: PA6 GLASS FILLED, COMPLY WITH GLOW WIRE REQUIREMENTS FOR PARTS OF NON-METALLIC MATERIAL SUPPORTING A CURRENT-CARRYING CONNECTION DETAILED IN IEC 60335-1, SECTION 30 (GWT), UL 94V-0
 LEVEL B: PBT GLASS FILLED, HOT WIRE IGNITION (HWI) VERSION ARE MOLDED IN A RESIN THAT COMPLIES WITH THE HOT WIRE IGNITION TEST 109-32026 AND ARE RECOMMENDED FOR USE WITH HWI HOUSINGS THAT ALSO COMPLY, UL 94V-0
- △ MATERIAL MARK:
 LEVEL A: GWT, LEVEL B: HWT
- 3 APPLICABLE CONTACT P/N
 TAB CONTACT: 1971238/1971780/1971782/1971784/1971786/1971788-*, 2238067-*
- 4 MATING CONN, P/N
 PLUG HSG: *-2232265-
 TPA (LOCK PLATE): *-1971777-*
- 5 RECOMMENDED PANEL THICKNESS: 1.0~2.0mm
- 6 LEVEL A MATERIAL IS SHOWN IN ALL VIEWS EXCEPT WHERE INDICATED BY NOTE 7.
- △ LEVEL B MATERIAL, KEY A AND B ONLY, THESE END KEYS ARE RECESSED.



RECOMMENDED PANEL OPENING DIMENSIONS FOR CAP HOUSING 1*3 POSITION (TOLERANCE: ±0.15mm)



RECOMMENDED PANEL OPENING DIMENSIONS FOR CAP HOUSING 1*2 POSITION (TOLERANCE: ±0.15mm)

POS	Dim. A	Dim. B	Dim. C	Dim. D	Dim. E	Dim. F	Dim. G
1*5	33.70	27.50	39.5	31.30	36.70	31.80	2.9
1*4	27.70	21.50	33.5	25.30	30.70	25.80	2.9
1*3	21.70	15.50	27.5	19.30			2.5
1*2	15.70	9.50	21.5	13.30			1.1

THIS DRAWING IS A CONTROLLED DOCUMENT.

OWNER: TOMMY WU 26MAR2013
 CHK: HAPYE WU 26MAR2013
 APVD: YUHONG MAO 26MAR2013

DIMENSIONS: mm
 TOLERANCES UNLESS OTHERWISE SPECIFIED:
 0 PLC ±
 1 PLC ±0.35
 2 PLC ±0.25
 3 PLC ±0.20
 4 PLC ±
 ANGLES ±

MATERIAL: △ △
 FINISH: -

Customer Drawing

TE Connectivity

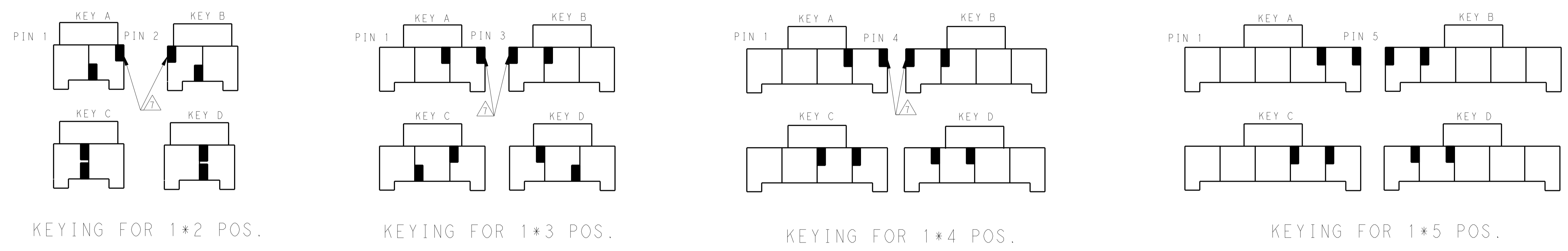
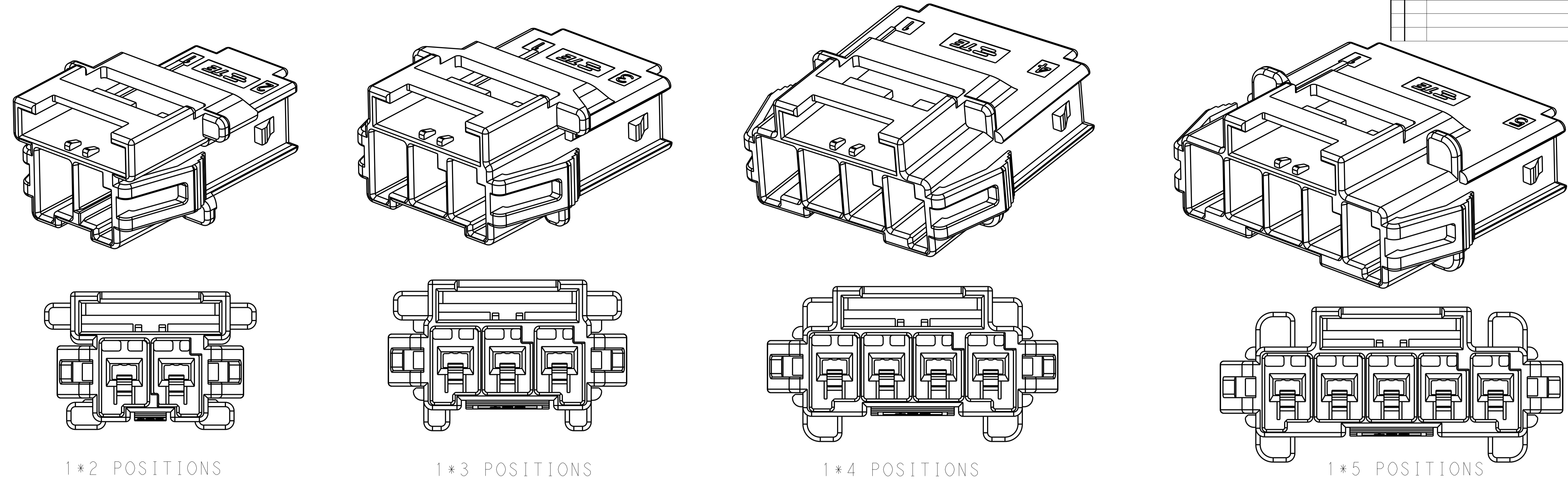
NAME: CAP HOUSING, PANEL MOUNT, SINGLE ROW POWER TRIPLE LOCK

SIZE: A1
 CAGE CODE: 100779
 DRAWING NO: 2232263

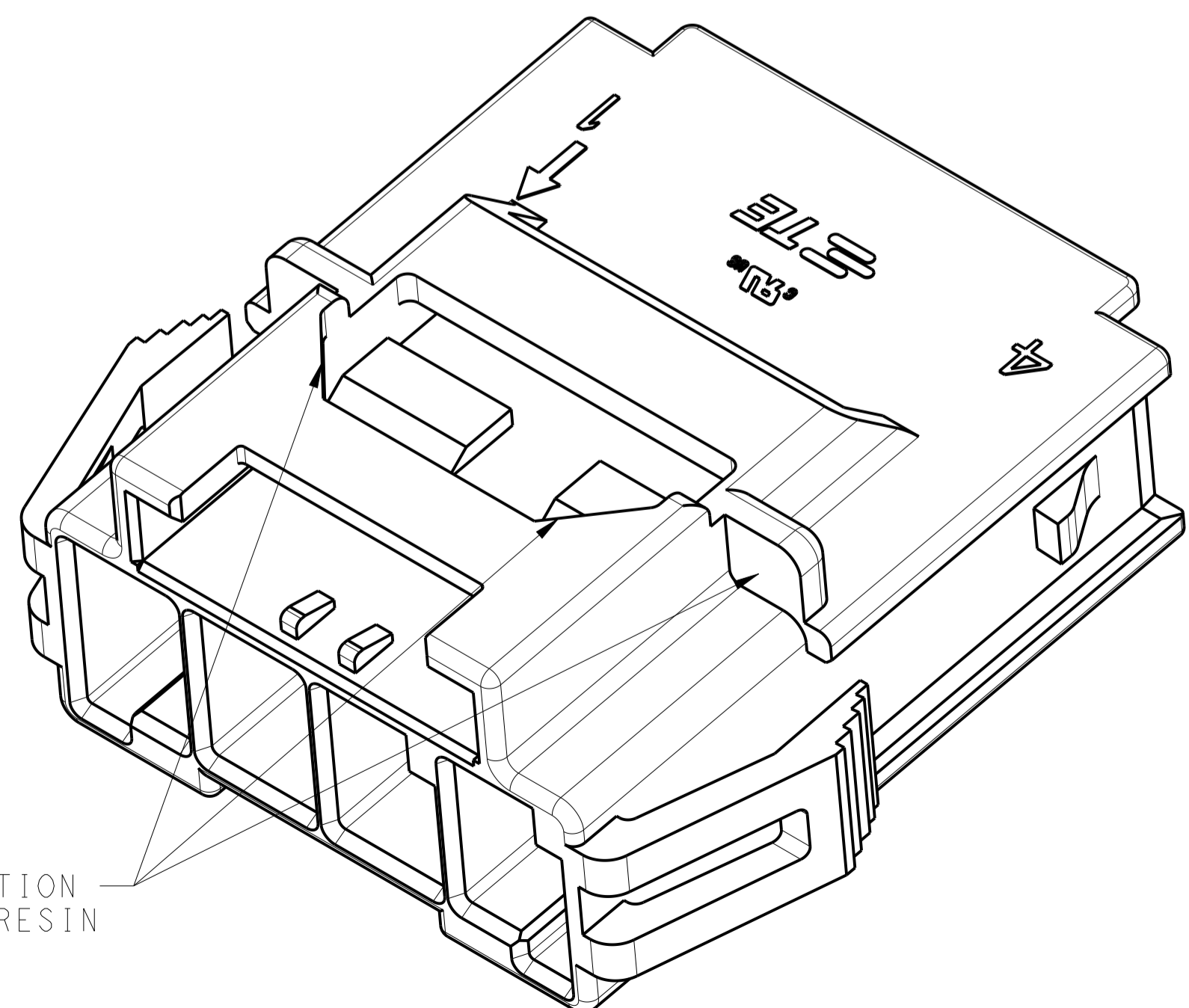
RESTRICTED TO: -

SCALE: 5:1 SHEET 1 OF 2 REV F

REVISIONS				
P.	LTN	DESCRIPTION	DATE	APP'D
-	-	SEE SHEET 1	-	-



POS.	MATERIAL	COLOR	KEY	P/N
1*5	LEVEL A	DARK GREY	KEY A	5-2232263-7
		BROWN	KEY B	6-2232263-7
		GREEN	KEY C	7-2232263-7
		ORANGE	KEY D	8-2232263-7
1*4	LEVEL B	BLACK	KEY A	1-2232263-3
		DARK GREY	KEY A	5-2232263-4
		BROWN	KEY B	6-2232263-4
		GREEN	KEY C	7-2232263-4
1*4	LEVEL A	ORANGE	KEY D	8-2232263-4
		BLACK	KEY A	1-2232263-2
		DARK GREY	KEY A	5-2232263-3
		BROWN	KEY B	6-2232263-3
1*3	LEVEL A	GREEN	KEY C	7-2232263-3
		ORANGE	KEY D	8-2232263-3
		DARK GREY	KEY A	5-2232263-2
		BROWN	KEY B	6-2232263-2
1*3	LEVEL B	GREEN	KEY C	7-2232263-2
		ORANGE	KEY D	8-2232263-2
		NATURAL	KEY B	2-2232263-1
		BLACK	KEY A	1-2232263-1
1*2	LEVEL A	DARK GREY	KEY A	5-2232263-1
		BROWN	KEY B	6-2232263-1
		GREEN	KEY C	7-2232263-1
		ORANGE	KEY D	8-2232263-1
1*2	LEVEL B	NATURAL	KEY B	2-2232263-1
		BLACK	KEY A	1-2232263-1



THIS DRAWING IS A CONTROLLED DOCUMENT.		OWN: TOMMY WU 26MAR2013	TE Connectivity
DIMENSIONS: mm		CHK: HAPYE WU 26MAR2013	
TOLERANCES UNLESS OTHERWISE SPECIFIED:		APVD: YUZHONG MAO 26MAR2013	NAME: CAP HOUSING, PANEL MOUNT, SINGLE ROW POWER TRIPLE LOCK PRODUCT SPEC: 108-106118 APPLICATION SPEC: 114-106118
0 PLC ±0.35		SIZE: CAGE CODE DRAWING NO. RESTRICTED TO	
1 PLC ±0.25		WEIGHT: A100779C=2232263	SCALE: SHEET 2 OF 2 REV F
2 PLC ±0.20		Customer Drawing	
3 PLC ±0.15			
4 PLC ±0.10			
ANGLES			

Mouser Electronics

Authorized Distributor

Click to View Pricing, Inventory, Delivery & Lifecycle Information:

[TE Connectivity:](#)

[5-2232263-2](#)