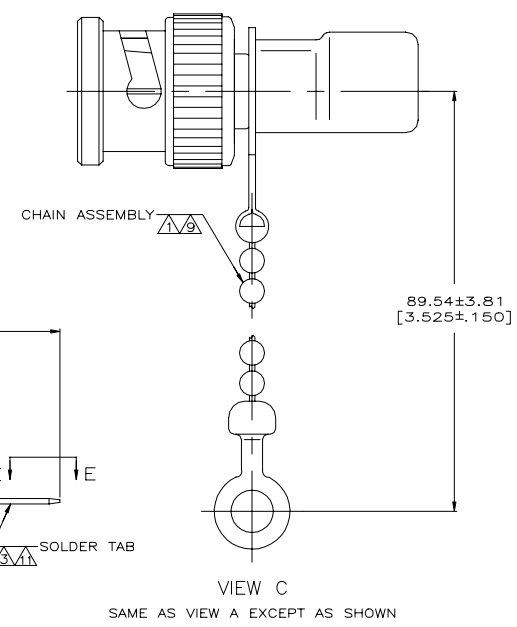
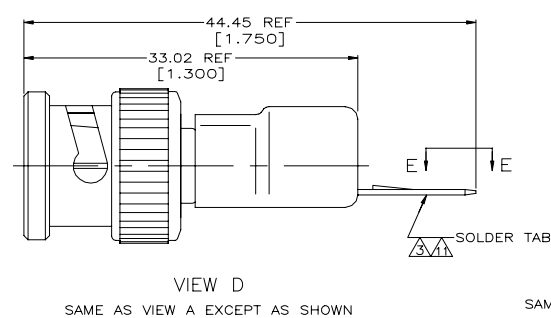
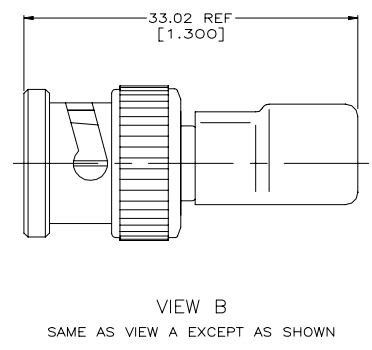
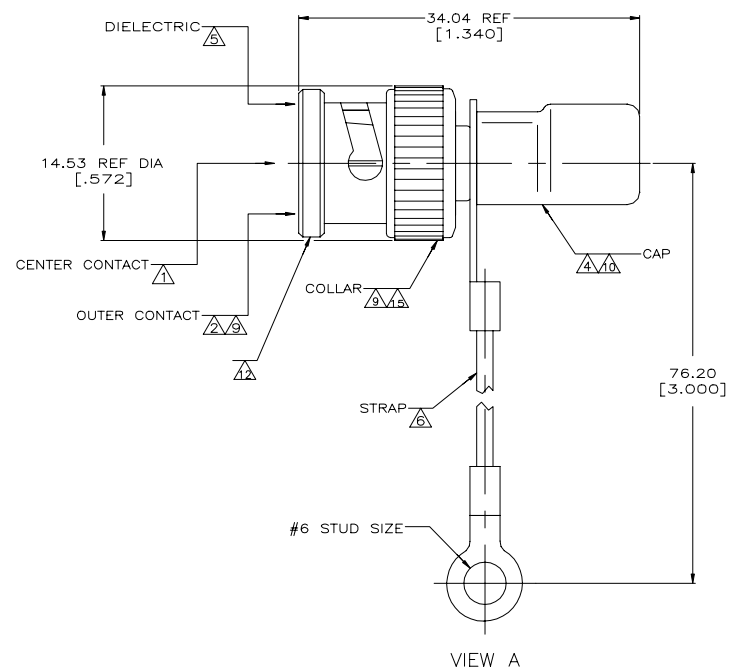
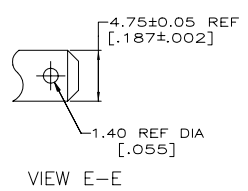
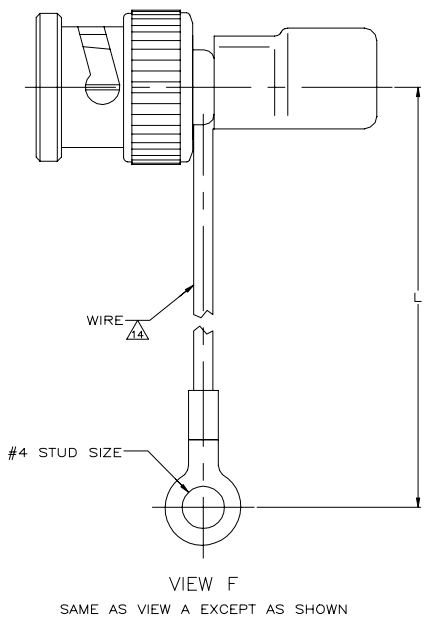


REVISIONS			
P. LTR	DESCRIPTION	DATE	DRW. APD
AE3	REVISED PER ECR-21-103273	13MAY2021	RZ WK



- 1 BRASS PER QQ-B-626.
- 2 BRASS PER MIL-C-21768.
- 3 BRASS PER MIL-C-50.
- 4 COPPER PER QQ-C-576.
- 5 POLYETHYLENE PER LP-390.
- 6 POLYESTER PER MIL-T-43435, COLOR NATURAL.
- 7 GOLD PLATE PER MIL-G-45204, 0.76 μm [.000030] MINIMUM THICK.
- 8 SILVER PLATE PER QQ-S-365, 2.54 μm [.000100] MINIMUM THICK.
- 9 NICKEL PLATE PER QQ-N-290, 1.27 μm [.000050] MINIMUM THICK.
- 10 TIN PLATE PER ASTM B 545, 2.54 μm [.000100] MIN THICK.
- 11 TIN PLATE PER ASTM B 545, 3.81 μm [.000150] MINIMUM THICK.
- 12 VALUE MARKED ON CONNECTOR BODY AS SHOWN. (SEE TABLE)
- 13 SEE SEPARATE RESTRICTED CUSTOMER DRAWING WITH THIS PART NUMBER.
- 14 16 GAUGE INSULATED GROUND WIRE.
- 15 ZINC PER QQ-Z-363



MARKING	WATT	TOLERANCE	OHM	RESISTOR SPECIFICATIONS	RESISTOR VALUE	MARKING	VIEW	PART NUMBER
1	1%	50	50Ω 1W	-	-	1	B	9-221629-1
1	1%	50	50Ω 1W	-	-	1	A	9-221629-0
-	1%	50	50Ω 1W	2999.99±25.40 [118.141.00]	-	1	F	2-221629-2
1	-	-	-	-	-	1	-	2-221629-1
1	-	-	-	-	-	1	-	2-221629-0
1	-	-	-	-	-	1	-	1-221629-9
1	1%	50	50Ω 1W	-	-	1	B	1-221629-8
1	1%	50	50Ω 1W	85.85±2.03 [3.380±.080]	-	1	F	1-221629-6
1	1%	50	-	-	-	1	D	1-221629-2
.5	1%	75	75Ω .5W	-	-	1	C	1-221629-1
1	1%	50	50Ω 1W	-	-	1	B	221629-9
1	1%	50	50Ω 1W	-	-	1	B	221629-8
.5	5%	100	100Ω .5W	-	-	1	B	221629-7
1	1%	93	93Ω 1W	-	-	1	B	221629-6
1	1%	75	75Ω 1W	-	-	1	B	221629-5
1	1%	50	50Ω 1W	-	-	1	B	221629-4
1	1%	93	93Ω 1W	-	-	1	A	221629-3
1	1%	75	75Ω 1W	-	-	1	A	221629-2
1	1%	50	50Ω 1W	-	-	1	A	221629-1

THIS DRAWING IS A CONTROLLED DOCUMENT. DRW. LIPPERT 9-22-90
 DRW. E. RUTH 9-28-90
 DRW. M. PHILLIPS 10-1-90

TE Connectivity
 TERMINATOR, PLUG, COMMERCIAL BNC

APPLICATOR: M. PHILLIPS
 PRODUCT SPEC: -
 APPLICATION SPEC: -
 WEIGHT: 0.000000
 MATERIAL: -
 FINISH: -

SIZE: A1
 CASE CODE: 00779
 DRAWING NO: 221629
 RESTRICTED TO: -
 CUSTOMER DRAWING: -
 SCALE: 4:1
 SHEET: 1 OF 1
 REV: AF3

Mouser Electronics

Authorized Distributor

Click to View Pricing, Inventory, Delivery & Lifecycle Information:

[TE Connectivity:](#)

[221629-5](#)