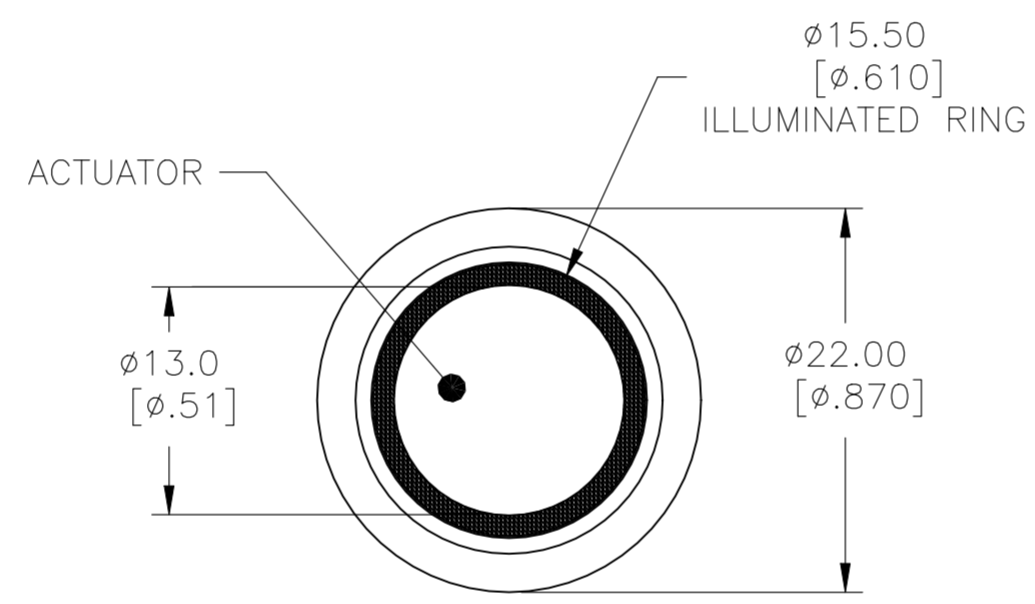
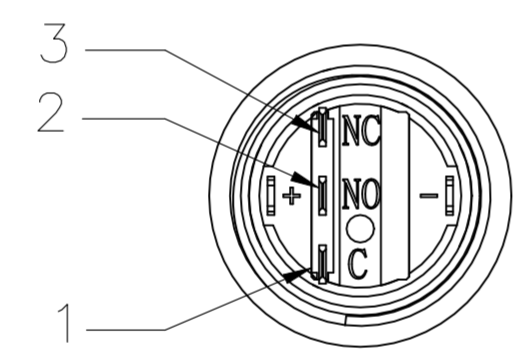
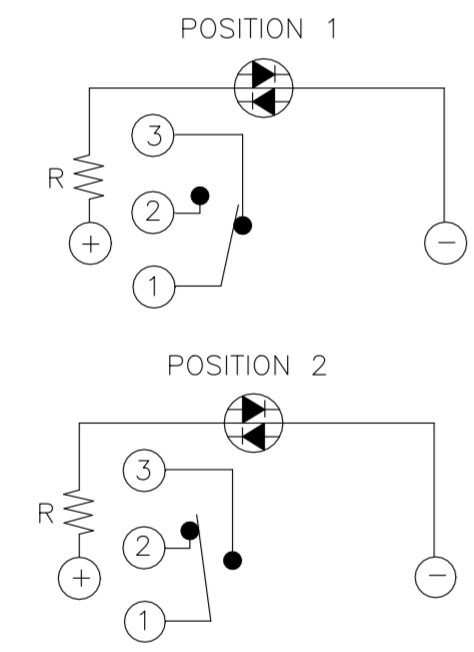
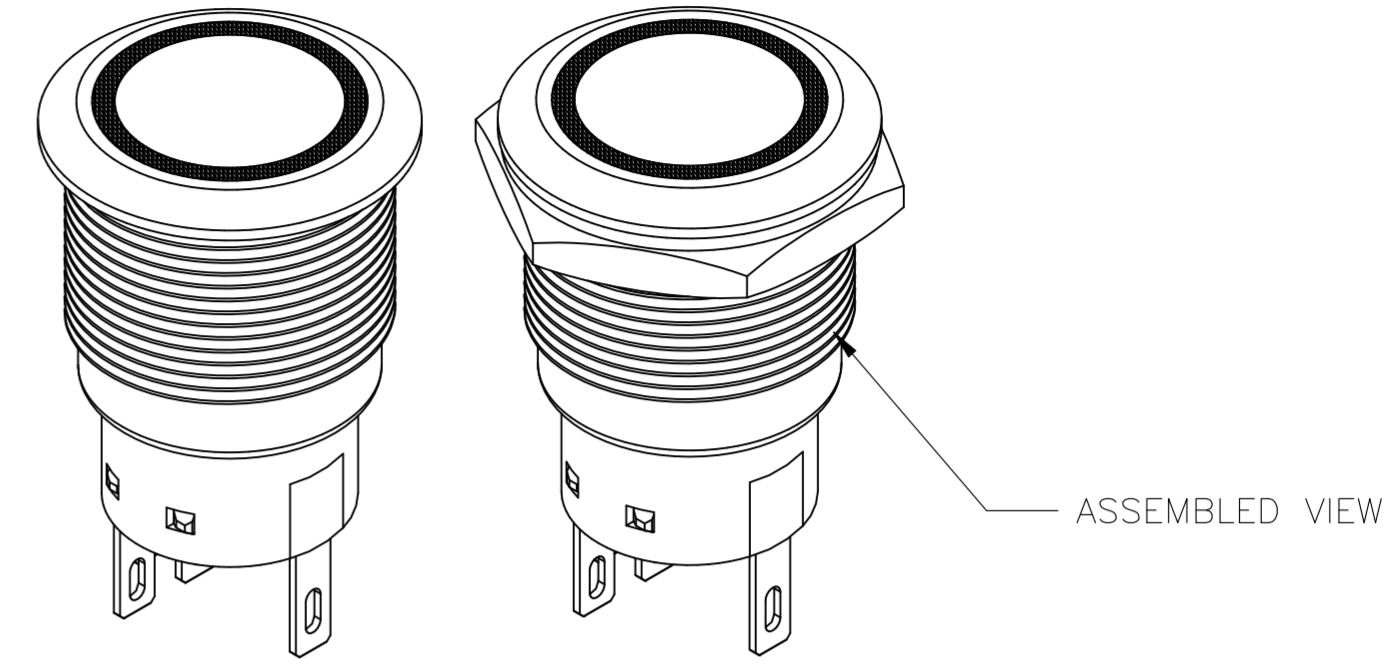
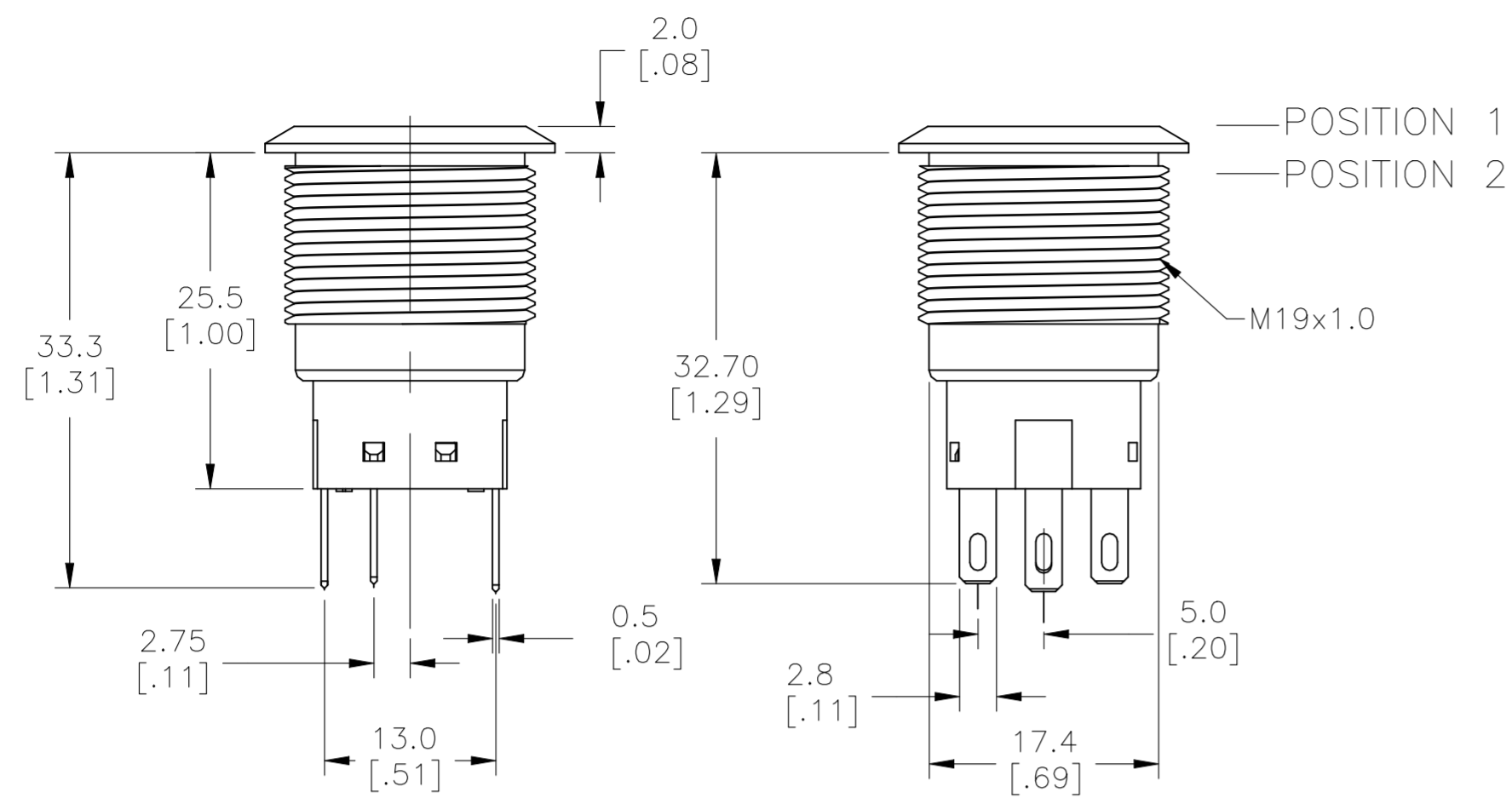


THIS DRAWING IS UNPUBLISHED. RELEASED FOR PUBLICATION  
 © COPYRIGHT - By - ALL RIGHTS RESERVED.

REVISIONS					
P	LTR	DESCRIPTION	DATE	DWN	APVD
B1		REVISED PER ECR-21-006029	02SEP2021	VG	PO



SPECIFICATIONS

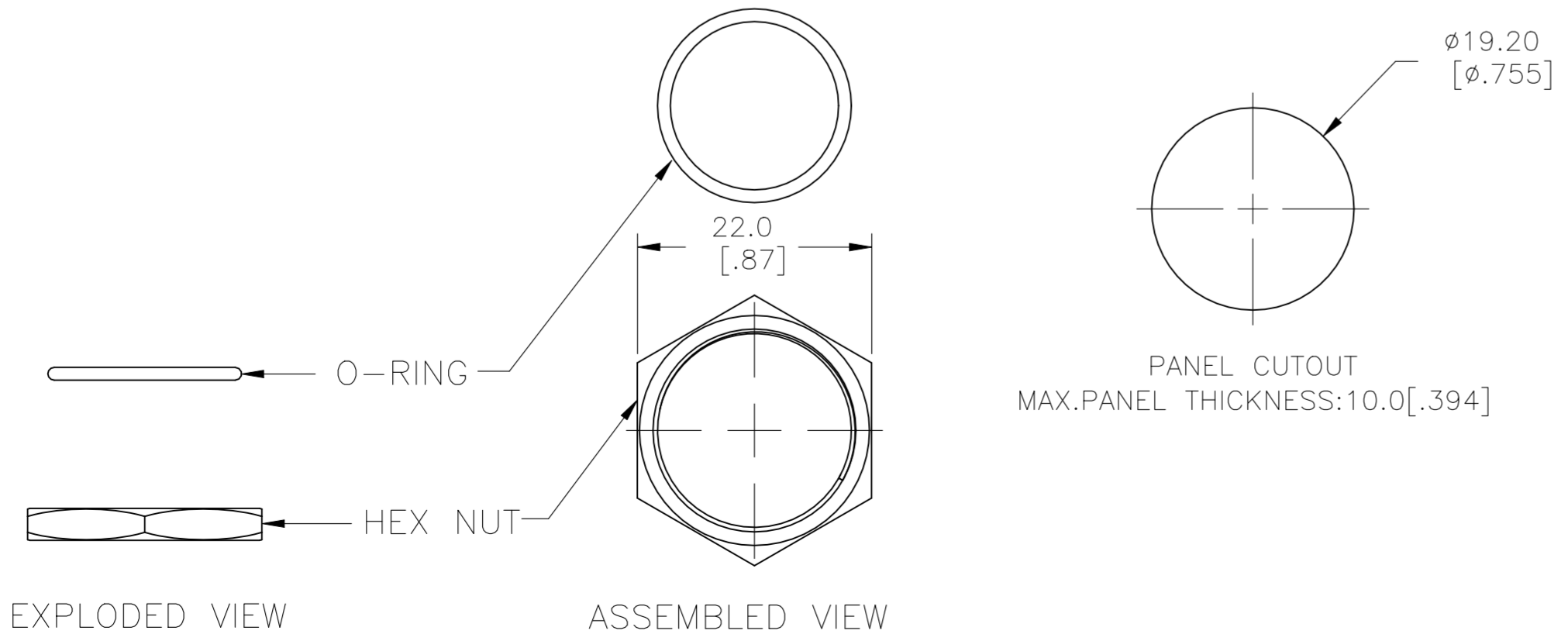
CONTACT RATING: SILVER: 3A @ 250 VAC RESISTIVE  
 GOLD: 0.4VA @ 20VDC OR PEAK AC  
 INSULATION RESISTANCE: 1,000MΩ MIN AT 500VDC  
 DIELECTRIC STRENGTH: 2,000V RMS @ SEA LEVEL  
 CONTACT RESISTANCE: 50 mΩ MAX @ 1A 12VDC (INITIAL VALUE)  
 ELECTRICAL LIFECYCLES: 50,000 MAKE AND BREAK CYCLES AT FULL LOAD

ACTUATION FORCE: SP: 2.5±1 NEWTON, DP: 3.5±1 NEWTON  
 ACTUATION TRAVEL: 3.2MM  
 SEALED PER IP67, IK10 (STAINLESS)  
 OPERATING TEMPERATURE: -20°C TO +55°C  
 MECHANICAL LIFECYCLES: MOMENTARY: 1,000,000 CYCLES  
 LOCKING: 500,000 CYCLES  
 HARDWARE TORQUE: 5-14 N-m

MATERIALS

BUSHING: STAINLESS STEEL  
 BASE: PBT (UL 94-V0), PC (UL 94-V2)  
 ACTUATOR: STAINLESS STEEL, PC  
 SEALING: O-RING (SILICONE)  
 TERMINAL/CONTACT: COPPER BASE, SILVER/GOLD PLATED  
 HEX NUT: BRASS BASE, NICKEL PLATED

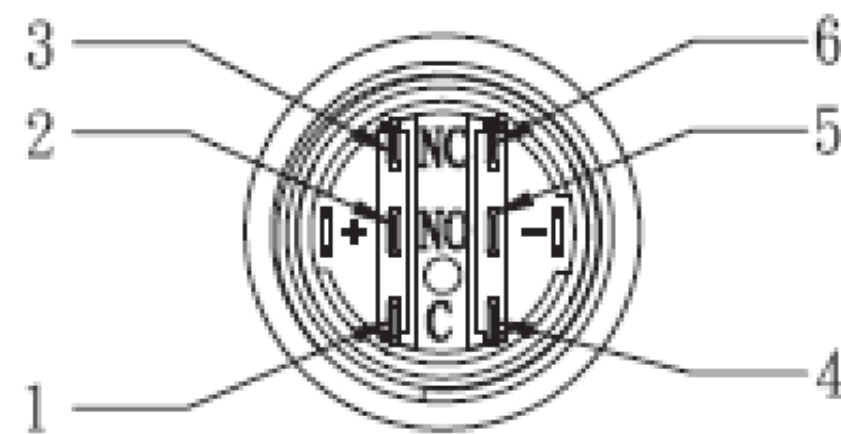
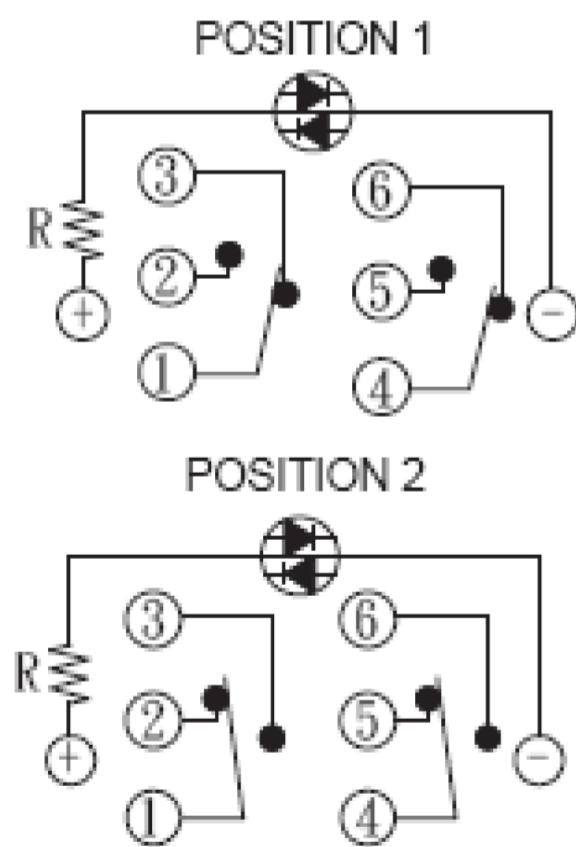
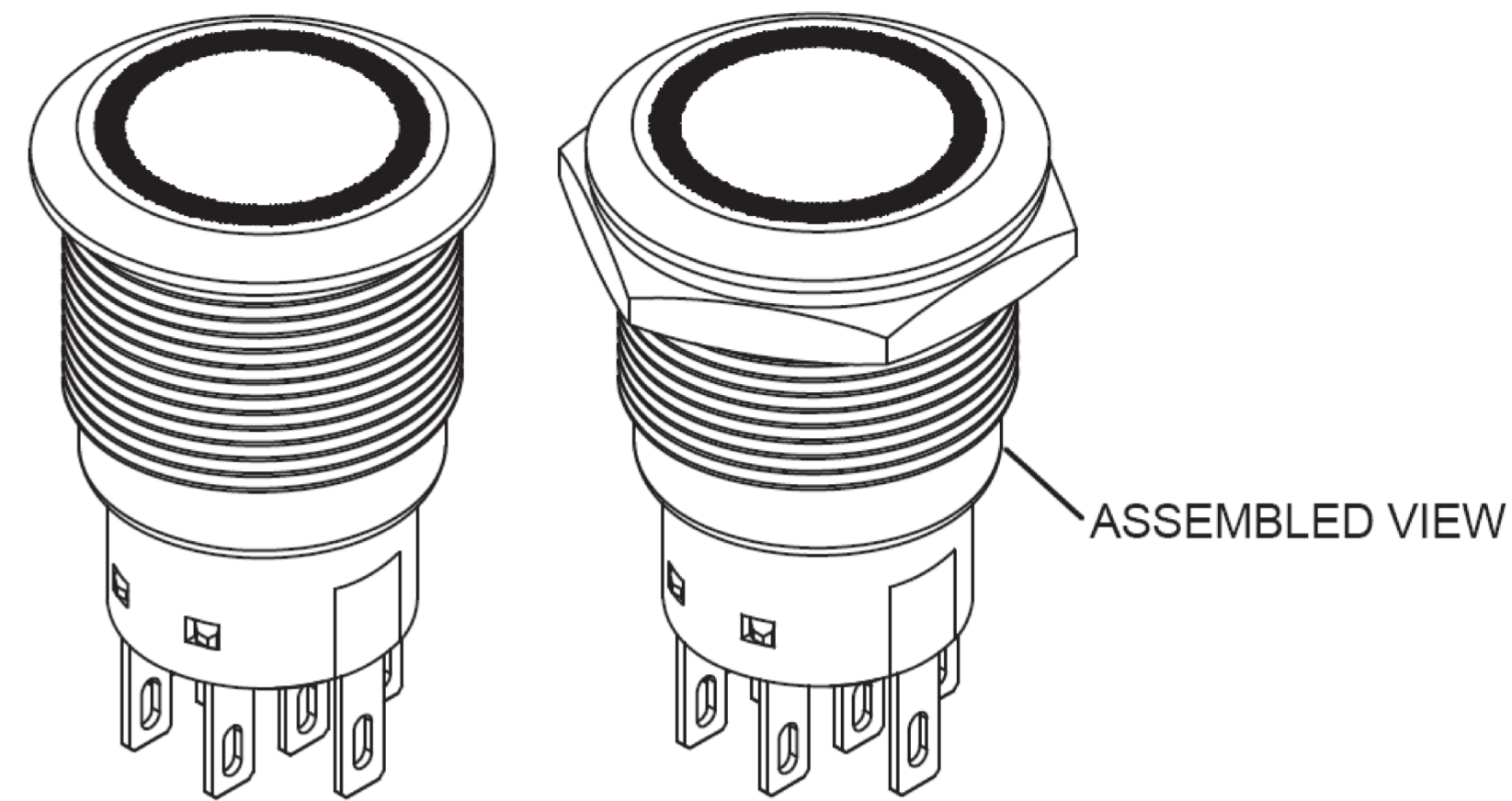
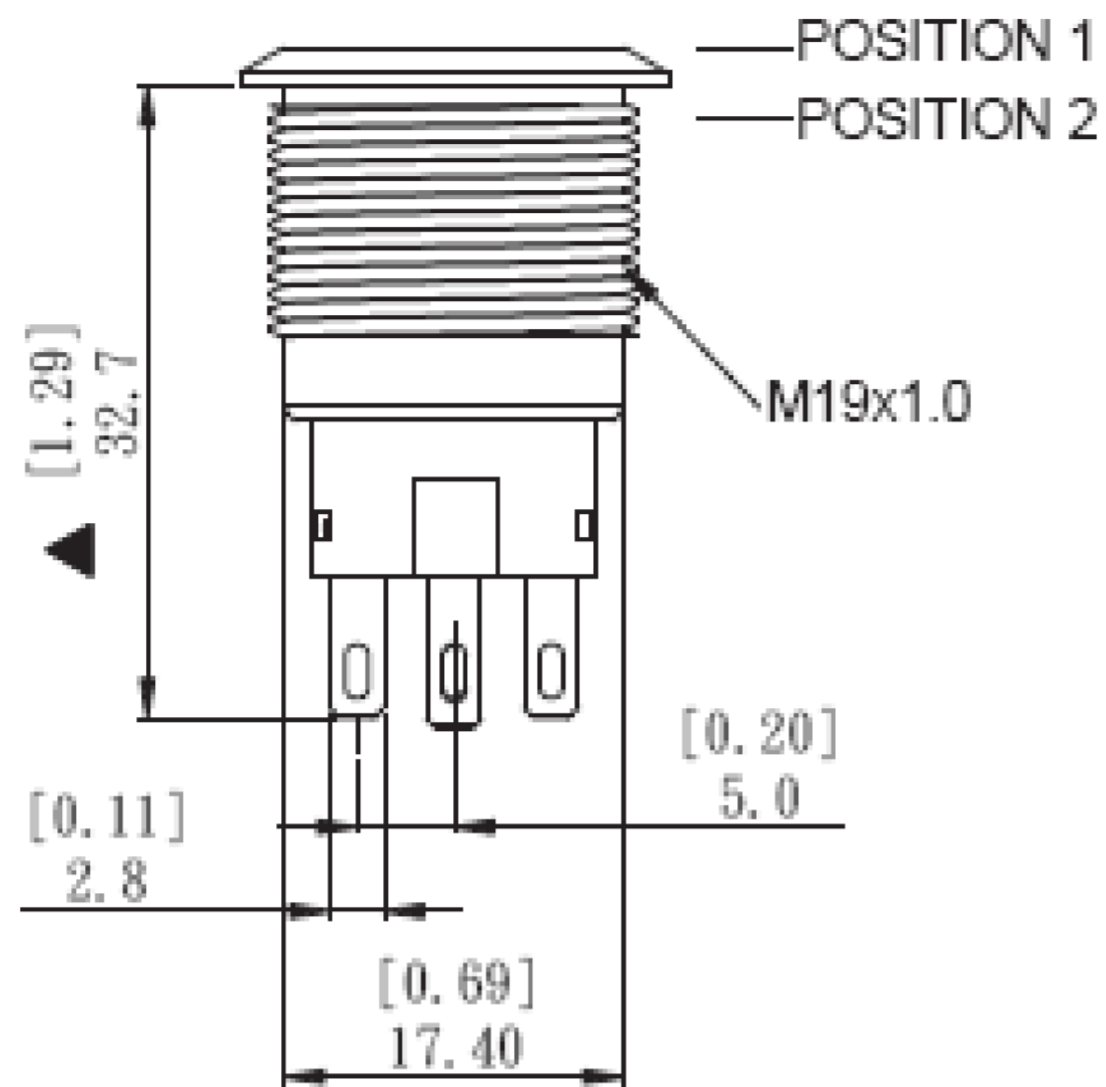
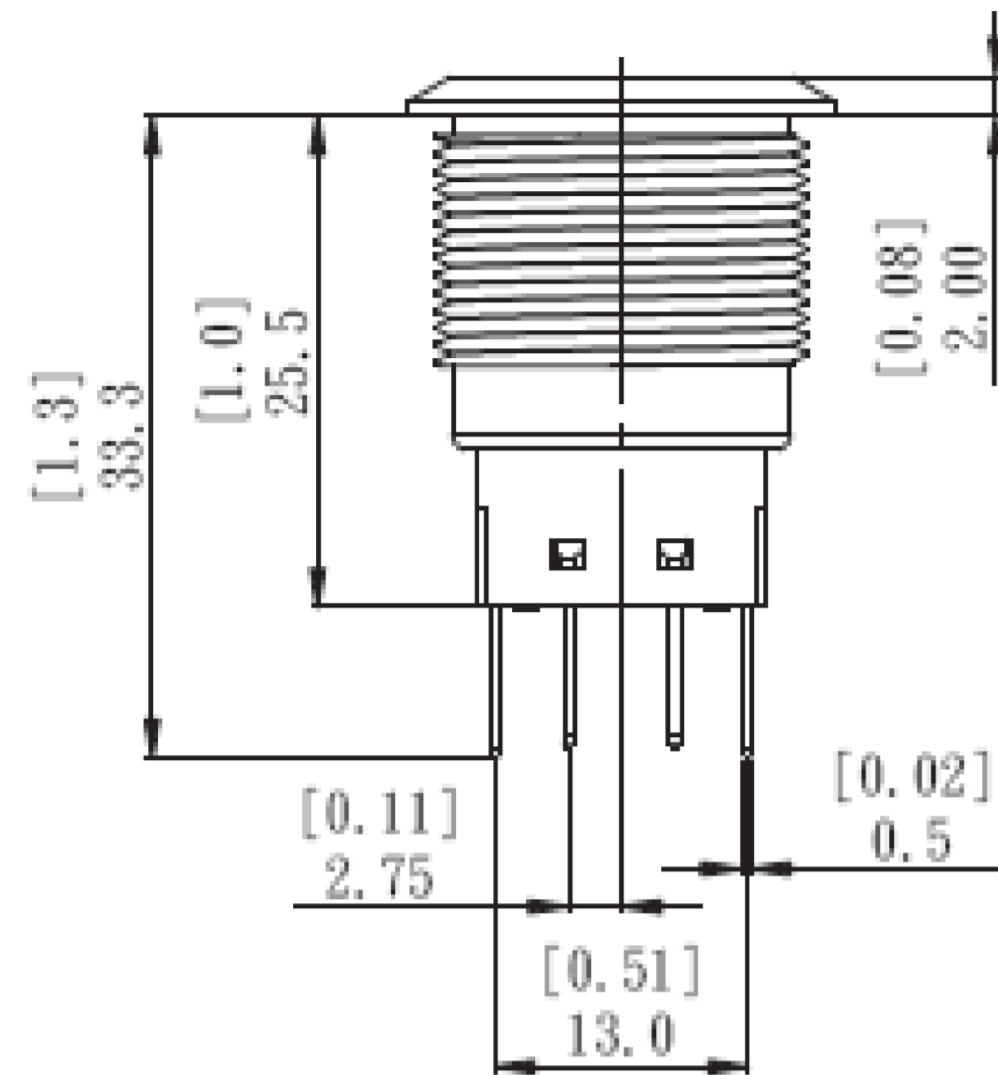
1 ALL MATERIAL AND FINISHES SHALL COMPLY WITH EU DIRECTIVE 2002/95/EC OF 27JAN2003 (ROHS)



THIS DRAWING IS A CONTROLLED DOCUMENT.		DWN NAGALAKSHMI K 06FEB2016	TE Connectivity	
DIMENSIONS: mm [INCHES]		CHK HILL RYAN 06FEB2016		
TOLERANCES UNLESS OTHERWISE SPECIFIED:		APVD HILL RYAN 06FEB2016	NAME ANTI-VANDAL SWITCH 19mm FIXED RING LED	
0 PLC ± - 1 PLC ± - 2 PLC ± - 3 PLC ± - 4 PLC ± - ANGLES ± -		PRODUCT SPEC	SIZE A2	
MATERIAL		APPLICATION SPEC	CAGE CODE 00779	DRAWING NO C=2213764
FINISH		WEIGHT 0	RESTRICTED TO	
		CUSTOMER DRAWING	SCALE 1:1	SHEET 1 OF 4
			REV B1	

THIS DRAWING IS UNPUBLISHED. RELEASED FOR PUBLICATION  
 © COPYRIGHT - By - ALL RIGHTS RESERVED.

REVISIONS					
P	LTR	DESCRIPTION	DATE	DWN	APVD
-	-	SEE SHEET 1	-	-	-




THIS DRAWING IS A CONTROLLED DOCUMENT.		DWN 06FEB2016 NAGALAKSHMI K																						
DIMENSIONS: mm [INCHES]		CHK 06FEB2016 HILL RYAN																						
TOLERANCES UNLESS OTHERWISE SPECIFIED:		APVD 06FEB2016 HILL RYAN	NAME ANTI-VANDAL SWITCH 19MM FIXED RING LED																					
<table border="1"> <tr><td>0 PLC</td><td>±</td><td>-</td></tr> <tr><td>1 PLC</td><td>±</td><td>-</td></tr> <tr><td>2 PLC</td><td>±</td><td>-</td></tr> <tr><td>3 PLC</td><td>±</td><td>-</td></tr> <tr><td>4 PLC</td><td>±</td><td>-</td></tr> <tr><td>ANGLES</td><td>±</td><td>-</td></tr> </table>		0 PLC	±	-	1 PLC	±	-	2 PLC	±	-	3 PLC	±	-	4 PLC	±	-	ANGLES	±	-	PRODUCT SPEC APPLICATION SPEC	SIZE A2	CAGE CODE 00779	DRAWING NO C=2213764	RESTRICTED TO -
0 PLC	±	-																						
1 PLC	±	-																						
2 PLC	±	-																						
3 PLC	±	-																						
4 PLC	±	-																						
ANGLES	±	-																						
MATERIAL -		FINISH -	WEIGHT -	SCALE 1:1		SHEET 2 of 4	REV B1																	
CUSTOMER DRAWING																								

THIS DRAWING IS UNPUBLISHED. RELEASED FOR PUBLICATION  
 © COPYRIGHT - By - ALL RIGHTS RESERVED.

REVISIONS					
P	LTR	DESCRIPTION	DATE	DWN	APVD
-	-	SEE SHEET 1	-	-	-


POLE/THROW	CONTACT	LED COLOR	LED VOLTAGE	TE DESCRIPTIVE PN	TE PART NUMBER
SINGLE POLE- LOCKING	GOLD	BLUE	24V	AV1911R724R04	4-2213764-0
	SILVER	BLUE	24V	AV1911R724Q04	3-2213764-9
	GOLD	BLUE	12V	AV1911R712R04	3-2213764-8
	SILVER	BLUE	12V	AV1911R712Q04	3-2213764-7
	GOLD	GREEN	24V	AV1911R624R04	3-2213764-6
	SILVER	GREEN	24V	AV1911R624Q04	3-2213764-5
	GOLD	GREEN	12V	AV1911R612R04	3-2213764-4
	SILVER	GREEN	12V	AV1911R612Q04	3-2213764-3
	GOLD	YELLOW	24V	AV1911R524R04	3-2213764-2
	SILVER	YELLOW	24V	AV1911R524Q04	3-2213764-1
	GOLD	YELLOW	12V	AV1911R512R04	3-2213764-0
	SILVER	YELLOW	12V	AV1911R512Q04	2-2213764-9
	GOLD	RED	24V	AV1911R324R04	2-2213764-8
	SILVER	RED	24V	AV1911R324Q04	2-2213764-7
	GOLD	RED	12V	AV1911R312R04	2-2213764-6
	SILVER	RED	12V	AV1911R312Q04	2-2213764-5
	GOLD	WHITE	24V	AV1911R124R04	2-2213764-4
	SILVER	WHITE	24V	AV1911R124Q04	2-2213764-3
SINGLE POLE- MOMENTARY	GOLD	BLUE	24V	AV1910R724R04	2-2213764-0
	SILVER	BLUE	24V	AV1910R724Q04	1-2213764-9
	GOLD	BLUE	12V	AV1910R712R04	1-2213764-8
	SILVER	BLUE	12V	AV1910R712Q04	1-2213764-7
	GOLD	GREEN	24V	AV1910R624R04	1-2213764-6
	SILVER	GREEN	24V	AV1910R624Q04	1-2213764-5
	GOLD	GREEN	12V	AV1910R612R04	1-2213764-4
	SILVER	GREEN	12V	AV1910R612Q04	1-2213764-3
	GOLD	YELLOW	24V	AV1910R524R04	1-2213764-2
	SILVER	YELLOW	24V	AV1910R524Q04	1-2213764-1
	GOLD	YELLOW	12V	AV1910R512R04	1-2213764-0
	SILVER	YELLOW	12V	AV1910R512Q04	2213764-9
	GOLD	RED	24V	AV1910R324R04	2213764-8
	SILVER	RED	24V	AV1910R324Q04	2213764-7
	GOLD	RED	12V	AV1910R312R04	2213764-6
	SILVER	RED	12V	AV1910R312Q04	2213764-5
	GOLD	WHITE	24V	AV1910R124R04	2213764-4
	SILVER	WHITE	24V	AV1910R124Q04	2213764-3
GOLD	WHITE	12V	AV1910R112R04	2213764-2	
SILVER	WHITE	12V	AV1910R112Q04	2213764-1	

THIS DRAWING IS A CONTROLLED DOCUMENT.		DWN 06FEB2016 NAGALAKSHMI K	 TE Connectivity		
DIMENSIONS: mm [INCHES]		CHK 06FEB2016 HILL RYAN			
TOLERANCES UNLESS OTHERWISE SPECIFIED:		APVD 06FEB2016 HILL RYAN	NAME ANTI-VANDAL SWITCH 19MM FIXED RING LED		
0 PLC ± - 1 PLC ± - 2 PLC ± - 3 PLC ± - 4 PLC ± - ANGLES ± -		PRODUCT SPEC APPLICATION SPEC	SIZE A2	CAGE CODE 00779	DRAWING NO C-2213764
MATERIAL -		FINISH -	WEIGHT -	SCALE 1:1	SHEET 3 of 4
CUSTOMER DRAWING			RESTRICTED TO -	REV B1	

THIS DRAWING IS UNPUBLISHED. RELEASED FOR PUBLICATION  
 © COPYRIGHT - By - ALL RIGHTS RESERVED.

REVISIONS					
P	LTR	DESCRIPTION	DATE	DWN	APVD
-	-	SEE SHEET 1	-	-	-

POLE/THROW	CONTACT	LED COLOR	LED VOLTAGE	TE DESCRIPTIVE PN	TE PART NUMBER
DOUBLE POLE-LOCKING	GOLD	BLUE	24V	AV1921R724R04	8-2213764-0
	SILVER	BLUE	24V	AV1921R724Q04	7-2213764-9
	GOLD	BLUE	12V	AV1921R712R04	7-2213764-8
	SILVER	BLUE	12V	AV1921R712Q04	7-2213764-7
	GOLD	GREEN	24V	AV1921R624R04	7-2213764-6
	SILVER	GREEN	24V	AV1921R624Q04	7-2213764-5
	GOLD	GREEN	12V	AV1921R612R04	7-2213764-4
	SILVER	GREEN	12V	AV1921R612Q04	7-2213764-3
	GOLD	YELLOW	24V	AV1921R524R04	7-2213764-2
	SILVER	YELLOW	24V	AV1921R524Q04	7-2213764-1
	GOLD	YELLOW	12V	AV1921R512R04	7-2213764-0
	SILVER	YELLOW	12V	AV1921R512Q04	6-2213764-9
	GOLD	RED	24V	AV1921R324R04	6-2213764-8
	SILVER	RED	24V	AV1921R324Q04	6-2213764-7
	GOLD	RED	12V	AV1921R312R04	6-2213764-6
	SILVER	RED	12V	AV1921R312Q04	6-2213764-5
DOUBLE POLE-MOMENTARY	GOLD	WHITE	24V	AV1921R124R04	6-2213764-4
	SILVER	WHITE	24V	AV1921R124Q04	6-2213764-3
	GOLD	WHITE	12V	AV1921R112R04	6-2213764-2
	SILVER	WHITE	12V	AV1921R112Q04	6-2213764-1
	GOLD	BLUE	24V	AV1920R724R04	6-2213764-0
	SILVER	BLUE	24V	AV1920R724Q04	5-2213764-9
	GOLD	BLUE	12V	AV1920R712R04	5-2213764-8
	SILVER	BLUE	12V	AV1920R712Q04	5-2213764-7
	GOLD	GREEN	24V	AV1920R624R04	5-2213764-6
	SILVER	GREEN	24V	AV1920R624Q04	5-2213764-5
	GOLD	GREEN	12V	AV1920R612R04	5-2213764-4
	SILVER	GREEN	12V	AV1920R612Q04	5-2213764-3
	GOLD	YELLOW	24V	AV1920R524R04	5-2213764-2
	SILVER	YELLOW	24V	AV1920R524Q04	5-2213764-1
	GOLD	YELLOW	12V	AV1920R512R04	5-2213764-0
	SILVER	YELLOW	12V	AV1920R512Q04	4-2213764-9
GOLD	RED	24V	AV1920R324R04	4-2213764-8	
SILVER	RED	24V	AV1920R324Q04	4-2213764-7	
GOLD	RED	12V	AV1920R312R04	4-2213764-6	
SILVER	RED	12V	AV1920R312Q04	4-2213764-5	
GOLD	WHITE	24V	AV1920R124R04	4-2213764-4	
SILVER	WHITE	24V	AV1920R124Q04	4-2213764-3	
GOLD	WHITE	12V	AV1920R112R04	4-2213764-2	
SILVER	WHITE	12V	AV1920R112Q04	4-2213764-1	

THIS DRAWING IS A CONTROLLED DOCUMENT.		DWN 06FEB2016 NAGALAKSHMI K	 TE Connectivity	
DIMENSIONS: mm [INCHES]		CHK 06FEB2016 HILL RYAN		
TOLERANCES UNLESS OTHERWISE SPECIFIED:		APVD 06FEB2016 HILL RYAN	NAME	
0 PLC ± -		PRODUCT SPEC	ANTI-VANDAL SWITCH 19MM FIXED RING LED	
1 PLC ± -		APPLICATION SPEC	SIZE CAGE CODE DRAWING NO RESTRICTED TO	
2 PLC ± -		WEIGHT	A2 00779 C=2213764	
3 PLC ± -		FINISH	SCALE 1:1 SHEET 4 OF 4 REV B1	
4 PLC ± -		CUSTOMER DRAWING		
ANGLES ± -				

# Mouser Electronics

Authorized Distributor

Click to View Pricing, Inventory, Delivery & Lifecycle Information:

[TE Connectivity:](#)

[5-2213764-7](#)