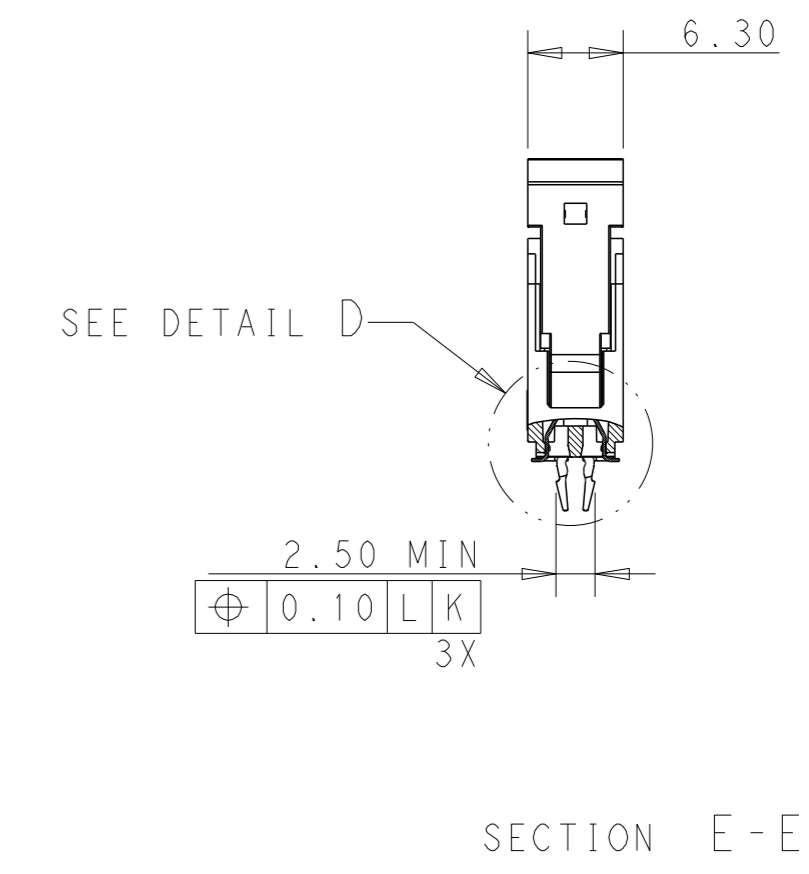
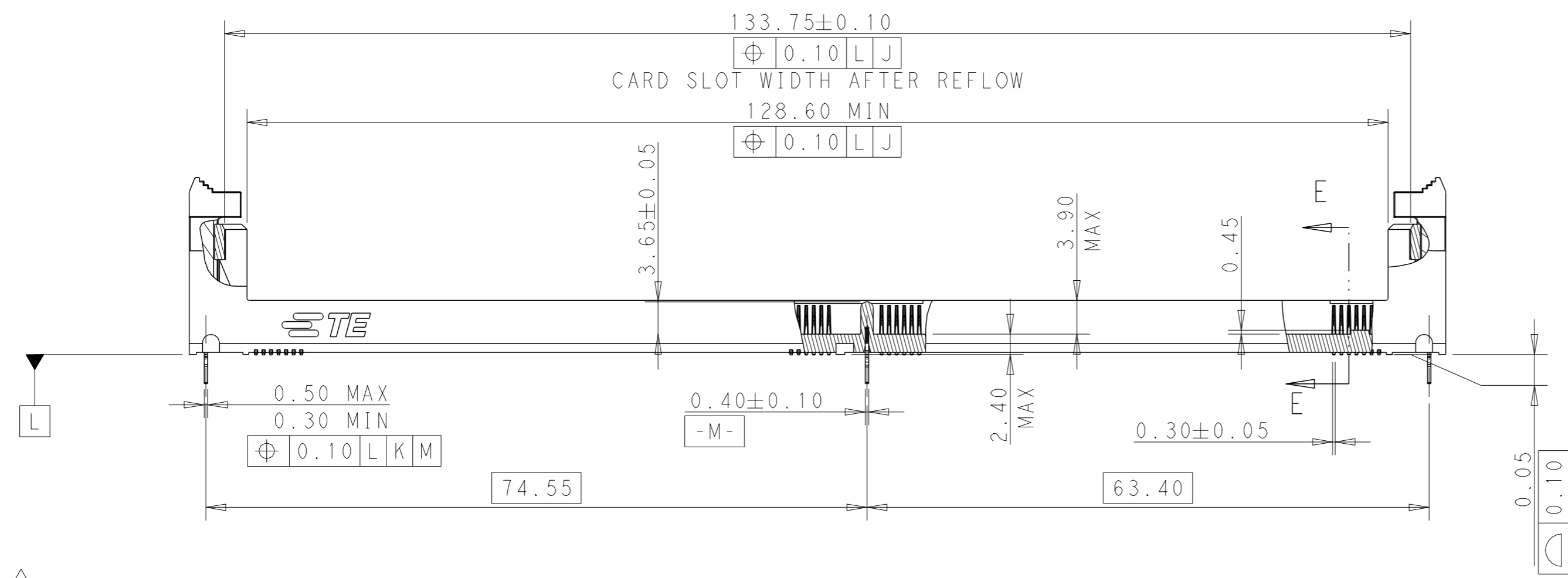
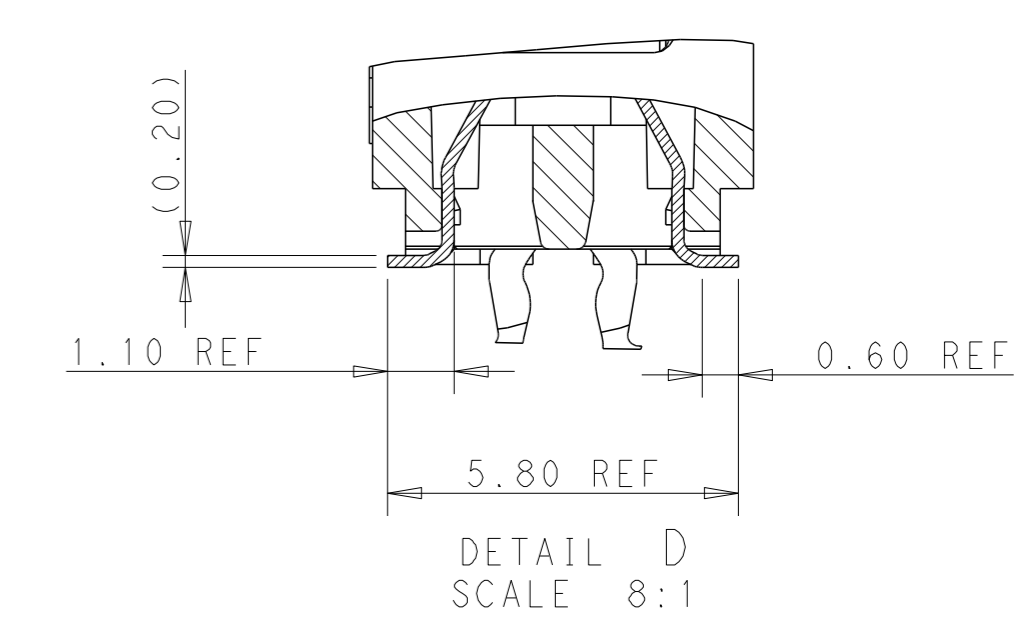
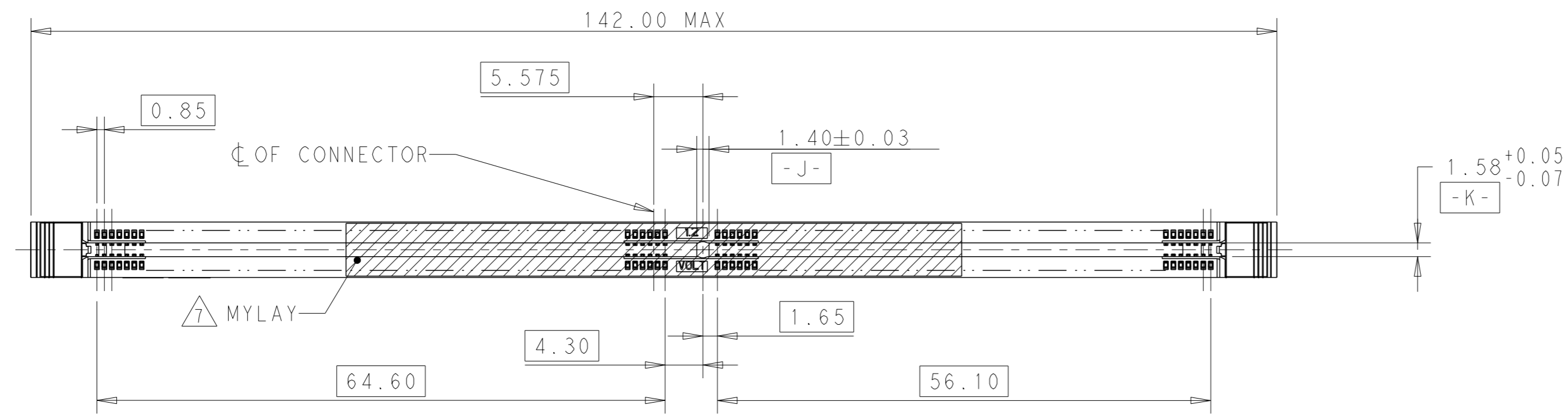


THIS DRAWING IS UNPUBLISHED. RELEASED FOR PUBLICATION 20
 © COPYRIGHT 20 TE CONNECTIVITY ALL RIGHTS RESERVED.

REVISIONS							
LOC	DIST	P	LTR	DESCRIPTION	DATE	DWN	APVD
-	-	B5		REVISED TO ADD NEW PNs	14MAR2021	SS	NS
		B6		REMOVE OBSOLETE PN FROM TABLE	07APR2021	SS	
		B7		CORRECT HT NO TO 2-2199155-0/1	25NOV2021	SS	
		B8		CHANGE PACKAGE TYPE FOR 3-*6/7	25NOV2021	SS	-



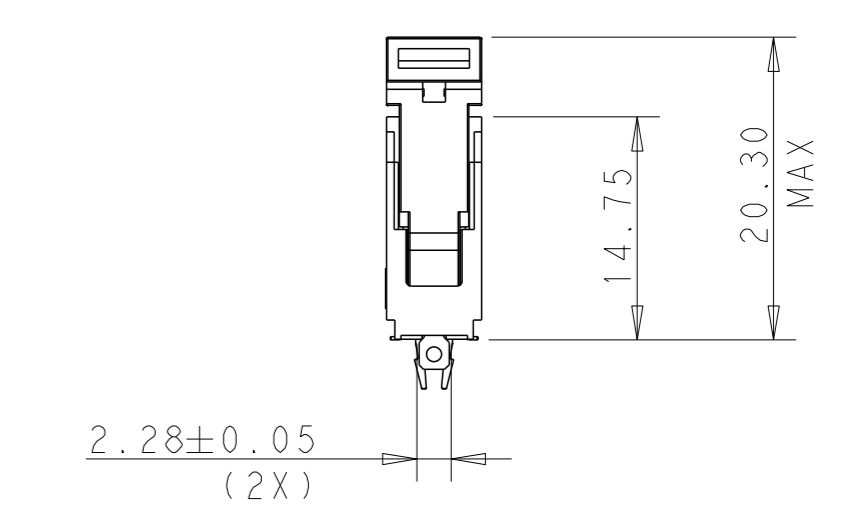
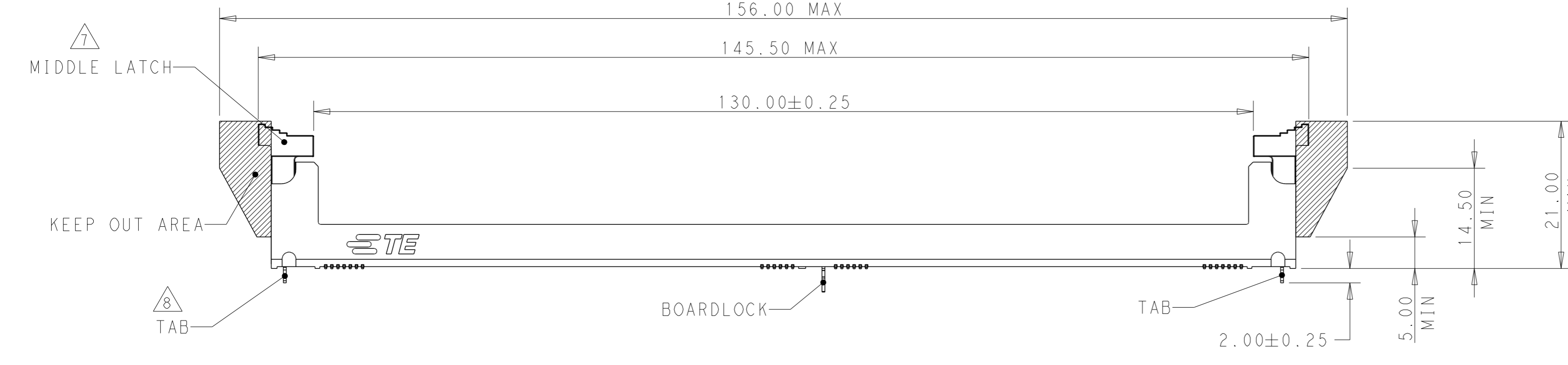
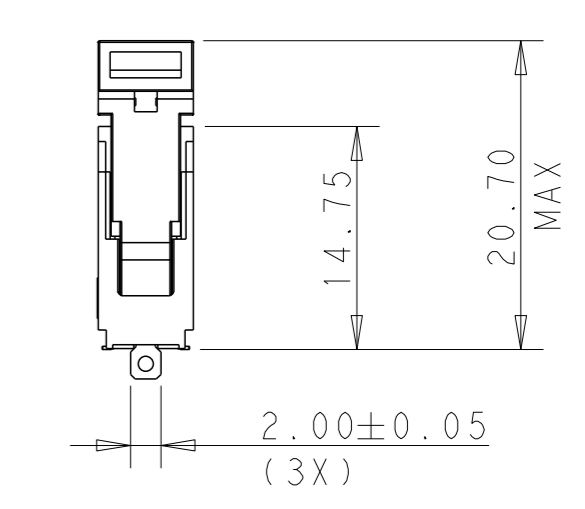
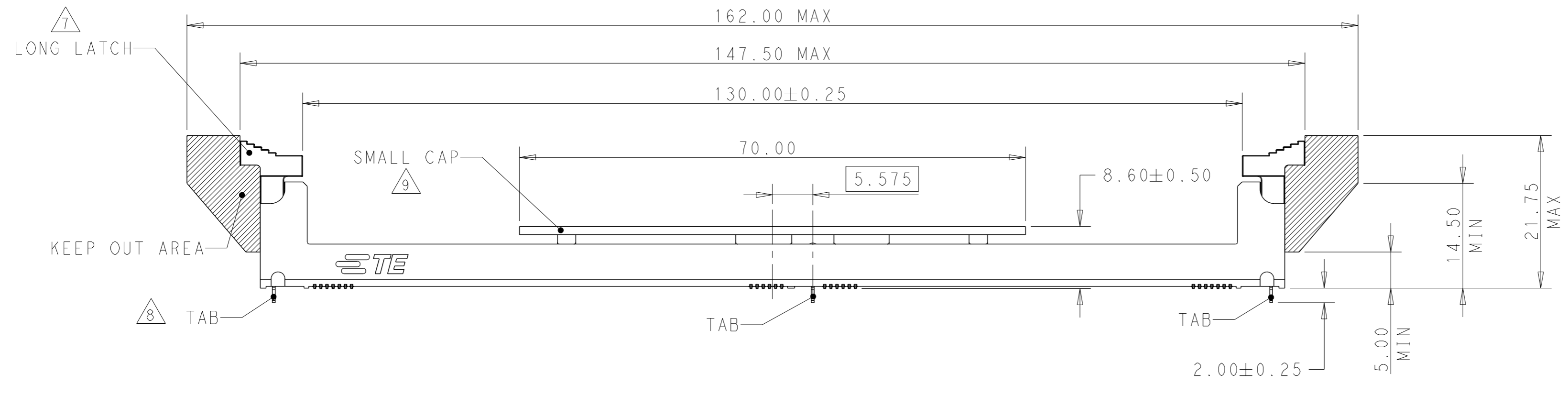
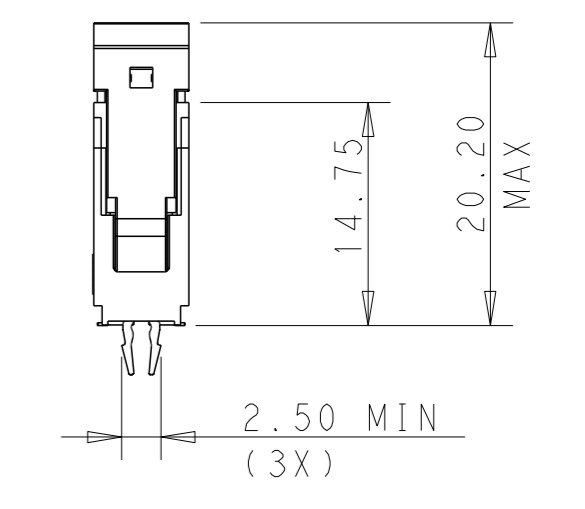
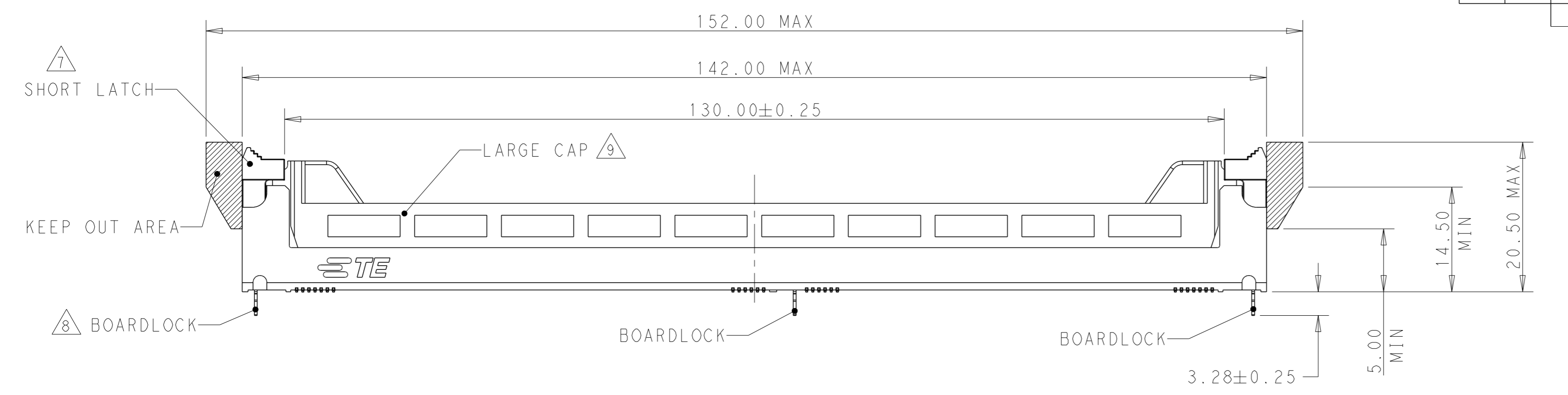
- 1 MATERIAL:
 HOUSING: HIGH TEMPERATURE NYLON,UL94 V-0
 LATCH: HIGH TEMPERATURE NYLON,UL94 V-0
 CONTACT: COPPER ALLOY
 RETENTION BARB: STAINLESS STEEL
- 2 INTERFACE FINISH:
 (1) 0.00076 MIN THICK GOLD OVER 0.00127 MIN THICK NICKEL.
 (2) 0.00038 MIN THICK GOLD OVER 0.00127 MIN THICK NICKEL.
 (3) 0.00050 MIN THICK GOLD OVER 0.00228 MIN THICK NICKEL.
 (4) 0.00045 MIN THICK GOLD OVER 0.00127 MIN THICK NICKEL.
- 3 SOLDER TAIL FINISH:
 0.00300 MIN THICK MATTE TIN OVER 0.00127 MIN THICK NICKEL.
- 4 KEEP OUT ZONE.
- 5 KEEP OUT AREA RESERVED FOR SOCKET LATCHES, BOTH ENDS.
- 6 DATUM Z IS CONNECTOR SIDE SURFACE OF PCB.
- 7 MYLAR WITH SIZE 70X6 IS LOCATED IN THE CENTER OF CONNECTOR.
- 8 SLOT LENGTH IS INSPECTED AFTER REFLOW.

THIS DRAWING IS A CONTROLLED DOCUMENT.		DWN RICHARD MA 17JAN2014	TE Connectivity	
DIMENSIONS: mm		CHK SIMON LI 17JAN2014		
TOLERANCES UNLESS OTHERWISE SPECIFIED:		APVD COREL WANG 17JAN2014	NAME SOCKET ASSEMBLY DDR4 DIMM, SMT TYPE GENERAL 288 POSITION	
0 PLC ±		PRODUCT SPEC 108-115068	SIZE CAGE CODE DRAWING NO RESTRICTED TO	
1 PLC ±0.25		APPLICATION SPEC	A200779 C-2199155	
2 PLC ±0.15		WEIGHT -	SCALE 2:1 SHEET 1 OF 14 REV B8	
3 PLC ±0.10		RESTRICTED CUSTOMER		
4 PLC ±				
ANGLES ±				
FINISH				

Printed on 25 Nov 2021 16:33 (China Standard Time) from F0086959

THIS DRAWING IS UNPUBLISHED. RELEASED FOR PUBLICATION 20
 © COPYRIGHT 20 TE CONNECTIVITY ALL RIGHTS RESERVED.

LOC		DIST		REVISIONS			
P	LTR	DESCRIPTION	DATE	DWN	APVD		
-	-						



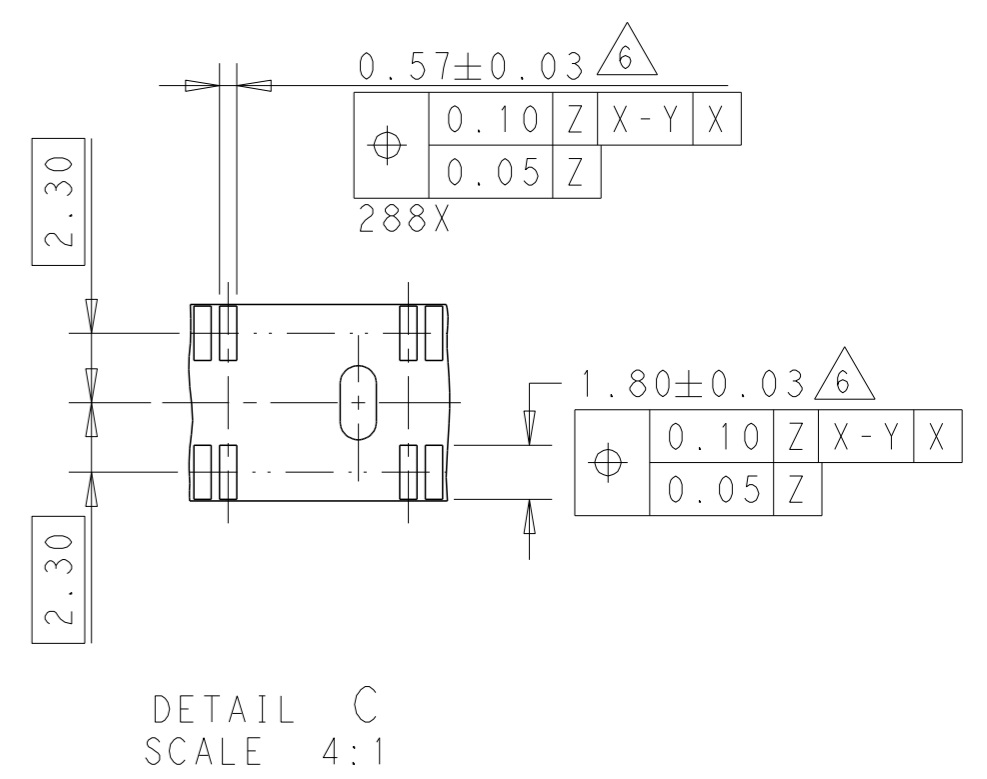
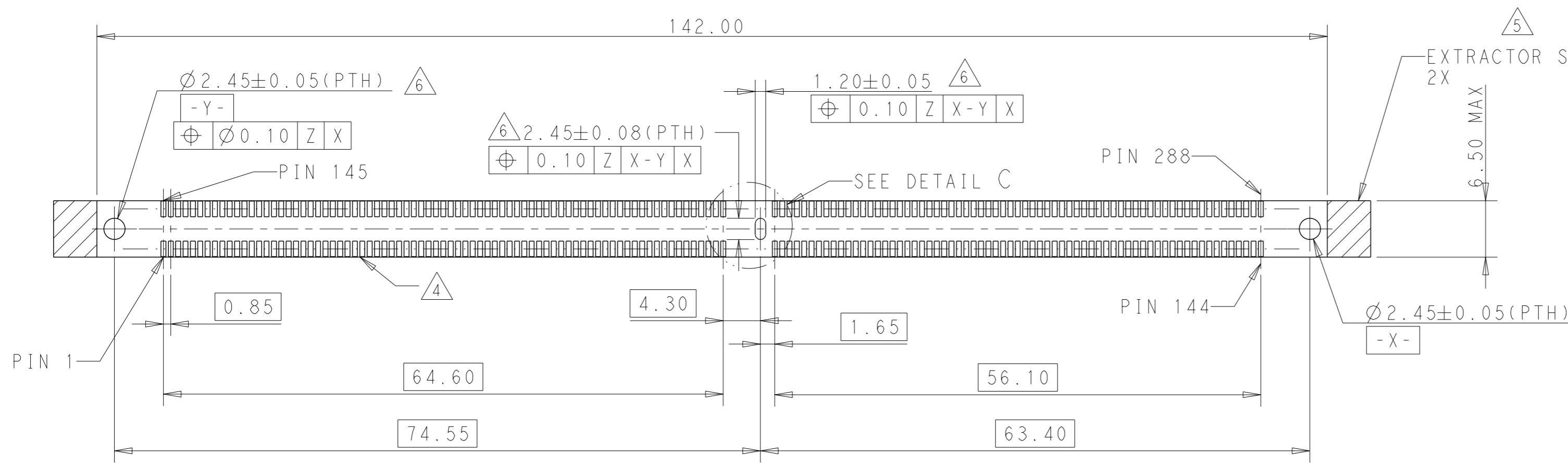
- ⑦ SHORT, LONG AND MIDDLE LATCH ARE OPTIONAL FOR DIFFERENT KEEPOUT APPLICATION.
- ⑧ BOARDLOCK AND TAB ARE OPTIONAL FOR DIFFERENT APPLICATION.
- ⑨ MYLAR AND LARGE CAP & SMALL CAP ARE OPTIONAL FOR DIFFERENT APPLICATION.

THIS DRAWING IS A CONTROLLED DOCUMENT.		DWN RICHARD MA 17JAN2014	TE Connectivity	
DIMENSIONS: mm		CHK SIMON LI 17JAN2014		
TOLERANCES UNLESS OTHERWISE SPECIFIED:		APVD COREL WANG 17JAN2014	NAME SOCKET ASSEMBLY	
0 PLC ±		PRODUCT SPEC 108-115068	DDR4 DIMM, SMT TYPE GENERAL	
1 PLC ±0.25		APPLICATION SPEC	288 POSITION	
2 PLC ±0.15		WEIGHT -	SIZE A2	CAGE CODE 00779
3 PLC ±0.10		RESTRICTED CUSTOMER	DRAWING NO C-2199155	RESTRICTED TO
4 PLC ANGLES ±			SCALE 3:1	SHEET 2 OF 14
FINISH				REV B8

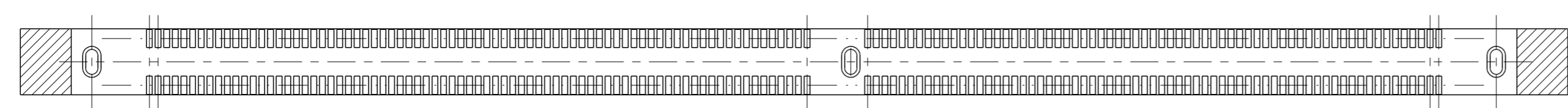
Printed on 25 Nov 2021 16:33 (China Standard Time) from F0086939

THIS DRAWING IS UNPUBLISHED. RELEASED FOR PUBLICATION 20
 © COPYRIGHT 20 TE CONNECTIVITY ALL RIGHTS RESERVED.

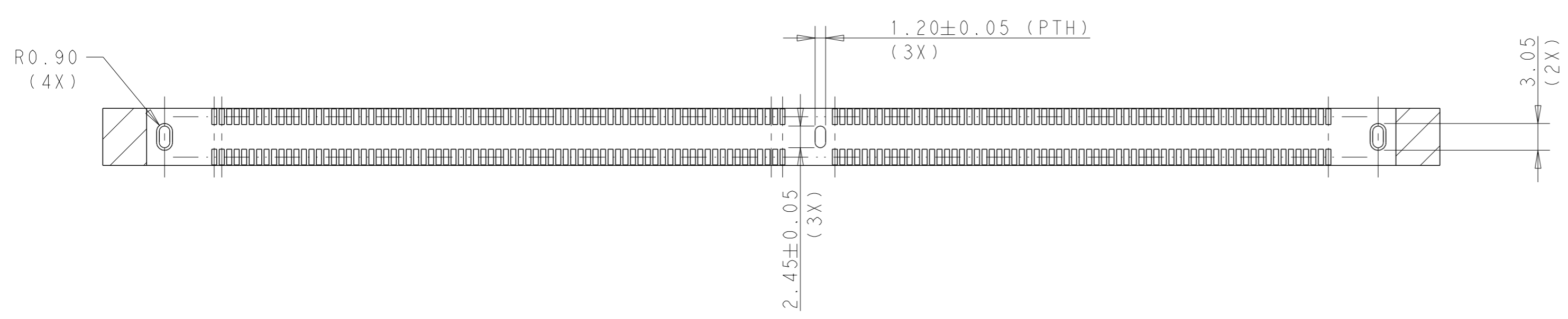
REVISONS				DATE	DWN	APVD
LOC	DIST	P	LTR	DESCRIPTION		
-	-					



RECOMMENDED PCB LAYOUT FOR 3 BOARDLOCKS
 VIEWED FROM CONNECTOR SIDE



RECOMMENDED PCB LAYOUT FOR 3 TABS



RECOMMENDED PCB LAYOUT FOR 2 SIDE TABS

1. DATUM Z IS THE TOP SIZE OF PCB.
2. HOLD DOWN HOLE SHOULD BE PLATED THROUGH HOLE.

THIS DRAWING IS A CONTROLLED DOCUMENT.		DWN RICHARD MA 17JAN2014	TE Connectivity	
DIMENSIONS: mm		CHK SIMON LI 17JAN2014		
TOLERANCES UNLESS OTHERWISE SPECIFIED:		APVD COREI WANG 17JAN2014	NAME SOCKET ASSEMBLY	
0 PLC ±		PRODUCT SPEC 108-115068	DDR4 DIMM, SMT TYPE GENERAL	
1 PLC ±0.25		APPLICATION SPEC	288 POSITION	
2 PLC ±0.15		WEIGHT -	SIZE A2	CAGE CODE 00779
3 PLC ±0.10		RESTRICTED CUSTOMER	DRAWING NO C-2199155	RESTRICTED TO
4 PLC ±		SCALE 1:1	SHEET 3	OF 14
ANGLES ±			REV B8	
FINISH				

Printed on 25 Nov 2021 16:33 (China Standard Time) from F0086959

THIS DRAWING IS UNPUBLISHED. RELEASED FOR PUBLICATION 20
 © COPYRIGHT 20 TE CONNECTIVITY ALL RIGHTS RESERVED.

LOC		DIST		REVISIONS			
P	LTR	DESCRIPTION	DATE	DWN	APVD		
-	-						

SHORT LATCH TYPE

TYPE V	NO MYLAR	SHORT LATCH	3 TAB	NATURAL	BLACK	0.00038 MIN	2368060-4
TYPE V	NO MYLAR	SHORT LATCH	3 TAB	BLACK	BLACK	0.00038 MIN	2368060-3
TYPE I	MYLAR	SHORT LATCH	3 TAB	NATURAL	YELLOW	0.00038 MIN	9-2199155-3
TYPE I	MYLAR	SHORT LATCH	3 TAB	NATURAL	BLACK	0.00076 MIN	9-2199155-2
TYPE I	MYLAR	SHORT LATCH	3 TAB	NATURAL	BLACK	0.00038 MIN	9-2199155-1
TYPE I	MYLAR	SHORT LATCH	3 BOARDLOCK	BLUE	BLUE	0.00076 MIN	6-2199155-9
TYPE I	NO MYLAR	SHORT LATCH	3 BOARDLOCK	NATURAL	BLACK	0.00076 MIN	6-2199155-8
TYPE I	NO MYLAR	SHORT LATCH	3 BOARDLOCK	BLACK	BLACK	0.00076 MIN	6-2199155-4
TYPE I	MYLAR	SHORT LATCH	3 BOARDLOCK	NATURAL	BLUE	0.00038 MIN	5-2199155-0
TYPE I	MYLAR	SHORT LATCH	3 BOARDLOCK	BLACK	NATURAL	0.00076 MIN	4-2199155-8
TYPE I	NO MYLAR	SHORT LATCH	3 BOARDLOCK	NATURAL	NATURAL	0.00076 MIN	4-2199155-7
TYPE I	MYLAR	SHORT LATCH	3 TAB	NATURAL	NATURAL	0.00076 MIN	4-2199155-6
TYPE I	MYLAR	SHORT LATCH	3 TAB	BLACK	BLACK	0.00076 MIN	4-2199155-5
TYPE III	NO MYLAR	SHORT LATCH	3 TAB	NATURAL	BLACK	0.00038 MIN	3-2199155-4
TYPE III	NO MYLAR	SHORT LATCH	3 TAB	BLACK	BLACK	0.00038 MIN	3-2199155-3
TYPE I	MYLAR	SHORT LATCH	3 TAB	BLACK	BLACK	0.00038 MIN	3-2199155-2
TYPE I	MYLAR	SHORT LATCH	3 BOARDLOCK	NATURAL	BLUE	0.00076 MIN	1-2199155-3
TYPE I	MYLAR	SHORT LATCH	3 BOARDLOCK	GREEN	BLACK	0.00076 MIN	2199155-7
TYPE I	MYLAR	SHORT LATCH	3 BOARDLOCK	NATURAL	NATURAL	0.00076 MIN	2199155-6
TYPE I	MYLAR	SHORT LATCH	3 TAB	NATURAL	BLUE	0.00076 MIN	2199155-5
TYPE I	MYLAR	SHORT LATCH	3 BOARDLOCK	BLACK	BLACK	0.00076 MIN	2199155-4
TYPE I	MYLAR	SHORT LATCH	3 BOARDLOCK	BLACK	BLACK	0.00038 MIN	2199155-3
TYPE I	MYLAR	SHORT LATCH	3 BOARDLOCK	NATURAL	BLACK	0.00076 MIN	2199155-2
TYPE I	MYLAR	SHORT LATCH	3 BOARDLOCK	NATURAL	BLACK	0.00038 MIN	2199155-1
PACKAGE TYPE	PICK-UP TYPE	LATCH TYPE	HOUSING HOLD DOWN	LATCH COLOR	HOUSING COLOR	CONTACT GOLD INTERFACE	PART NUMBER

THIS DRAWING IS A CONTROLLED DOCUMENT.

DWN RICHARD MA 17JAN2014
 CHK SIMON LI 17JAN2014
 APVD COREI WANG 17JAN2014

STE TE Connectivity

NAME SOCKET ASSEMBLY
 DDR4 DIMM, SMT TYPE GENERAL
 288 POSITION

PRODUCT SPEC 108-115068
 APPLICATION SPEC -

SIZE A2 CAGE CODE 00779 DRAWING NO C-2199155 RESTRICTED TO

MATERIAL - WEIGHT - RESTRICTED CUSTOMER SCALE 1:1 SHEET 4 OF 14 REV B8

Printed on 25 Nov 2021 16:33 (China Standard Time) from F0086959

THIS DRAWING IS UNPUBLISHED. RELEASED FOR PUBLICATION 20
 © COPYRIGHT 20 TE CONNECTIVITY ALL RIGHTS RESERVED.

LOC		DIST		REVISIONS			
P	LTR	DESCRIPTION	DATE	DWN	APVD		
-	-						

LONG LATCH TYPE

TYPE VI	NO MYLAR	LONG LATCH	3 BOARDLOCK	NATURAL	BLUE	0.00076 MIN	1-2368060-9
TYPE VI	NO MYLAR	LONG LATCH	3 BOARDLOCK	NATURAL	BLACK	0.00076 MIN	1-2368060-8
TYPE I	MYLAR	LONG LATCH	3 TAB	BLACK	BLACK	0.00076 MIN	9-2199155-9
TYPE I	MYLAR	LONG LATCH	3 TAB	NATURAL	BLACK	0.00076 MIN	9-2199155-6
TYPE I	MYLAR	LONG LATCH	3 TAB	NATURAL	BLACK	0.00038 MIN	9-2199155-4
TYPE I	MYLAR	LONG LATCH	3 BOARDLOCK	BLACK	BLACK	0.00038 MIN	9-2199155-0
TYPE I	NO MYLAR	LONG LATCH	3 TAB	NATURAL	BLUE	0.00038 MIN	8-2199155-9
TYPE I	NO MYLAR	LONG LATCH	3 TAB	NATURAL	BLACK	0.00038 MIN	8-2199155-8
TYPE I	MYLAR	LONG LATCH	3 TAB	NATURAL	BLUE	0.00076 MIN	8-2199155-5
TYPE I	MYLAR	LONG LATCH	3 BOARDLOCK	NATURAL	NATURAL	0.00038 MIN	8-2199155-4
TYPE I	MYLAR	LONG LATCH	3 BOARDLOCK	BLUE	BLUE	0.00038 MIN	8-2199155-3
TYPE I	MYLAR	LONG LATCH	3 TAB	BLUE	BLUE	0.00076 MIN	8-2199155-2
TYPE I	NO MYLAR	LONG LATCH	3 BOARDLOCK	BLACK	BLACK	0.00076 MIN	7-2199155-8
TYPE II	MYLAR	LONG LATCH	2TAB+1BOARDLOCK	NATURAL	NATURAL	0.00038 MIN	7-2199155-7
TYPE II	MYLAR	LONG LATCH	2TAB+1BOARDLOCK	BLACK	BLACK	0.00038 MIN	7-2199155-6
TYPE I	NO MYLAR	LONG LATCH	3 BOARDLOCK	BLUE	BLUE	0.00076 MIN	7-2199155-5
TYPE I	NO MYLAR	LONG LATCH	3 BOARDLOCK	BLUE	BLUE	0.00038 MIN	7-2199155-4
TYPE I	NO MYLAR	LONG LATCH	3 BOARDLOCK	BLACK	BLACK	0.00038 MIN	7-2199155-3
TYPE I	MYLAR	LONG LATCH	3 BOARDLOCK	BLACK	BLACK	0.00076 MIN	7-2199155-2
TYPE I	MYLAR	LONG LATCH	3 BOARDLOCK	NATURAL	BLUE	0.00045 MIN	7-2199155-1
TYPE I	MYLAR	LONG LATCH	3 BOARDLOCK	NATURAL	BLACK	0.00045 MIN	7-2199155-0
TYPE I	MYLAR	LONG LATCH	3 TAB	GREEN	YELLOW	0.00038 MIN	6-2199155-7
TYPE I	MYLAR	LONG LATCH	3 TAB	GREEN	BLACK	0.00038 MIN	6-2199155-6
TYPE I	MYLAR	LONG LATCH	3 TAB	NATURAL	YELLOW	0.00038 MIN	6-2199155-5
TYPE I	NO MYLAR	LONG LATCH	3 BOARDLOCK	NATURAL	YELLOW	0.00038 MIN	6-2199155-3
TYPE I	MYLAR	LONG LATCH	3 BOARDLOCK	BLUE	BLUE	0.00076 MIN	4-2199155-9
TYPE I	MYLAR	LONG LATCH	3 BOARDLOCK	NATURAL	NATURAL	0.00076 MIN	2-2199155-3
TYPE I	MYLAR	LONG LATCH	3 TAB	NATURAL	NATURAL	0.00076 MIN	2-2199155-2
TYPE VI	NO MYLAR	LONG LATCH	3 BOARDLOCK	NATURAL	BLUE	0.00076 MIN	1-2199155-9
TYPE VI	NO MYLAR	LONG LATCH	3 BOARDLOCK	NATURAL	BLACK	0.00076 MIN	1-2199155-8
TYPE I	MYLAR	LONG LATCH	3 TAB	BLACK	BLACK	0.00038 MIN	1-2199155-6
TYPE I	MYLAR	LONG LATCH	3 TAB	NATURAL	BLUE	0.00038 MIN	1-2199155-5
PACKAGE TYPE	PICK-UP TYPE	LATCH TYPE	HOUSING HOLD DOWN	LATCH COLOR	HOUSING COLOR	CONTACT GOLD INTERFACE	PART NUMBER

Printed on 25 Nov 2021 16:33 (China Standard Time) from F0086959

THIS DRAWING IS A CONTROLLED DOCUMENT.

DWN	RICHARD MA	17 JAN 2014
CHK	SIMON LI	17 JAN 2014
APVD	COREI WANG	17 JAN 2014

NAME: SOCKET ASSEMBLY
DDR4 DIMM, SMT TYPE GENERAL
288 POSITION

PRODUCT SPEC: 108-115068
APPLICATION SPEC: -

SIZE: A2 CAGE CODE: 00779 DRAWING NO: C-2199155 RESTRICTED TO: -

WEIGHT: -

RESTRICTED CUSTOMER

SCALE: 1:1 SHEET 5 OF 14 REV B8


THIS DRAWING IS UNPUBLISHED. RELEASED FOR PUBLICATION 20
 © COPYRIGHT 20 TE CONNECTIVITY ALL RIGHTS RESERVED.

LOC		DIST		REVISIONS			
P	LTR	DESCRIPTION	DATE	DWN	APVD		
-	-						

MIDDLE LATCH TYPE

TYPE I	CAP	MIDDLE LATCH	3 TAB	NATURAL	BLUE	0.00038 MIN	2-2199155-8
TYPE I	CAP	MIDDLE LATCH	3 TAB	NATURAL	BLACK	0.00038 MIN	2-2199155-7
TYPE I	NO MYLAR	MIDDLE LATCH	3 BOARDLOCK	NATURAL	BLACK	0.00045 MIN	2368060-9
TYPE VI	NO MYLAR	MIDDLE LATCH	3 BOARDLOCK	NATURAL	BLACK	0.00038 MIN	5-2368060-8
TYPE VI	NO MYLAR	MIDDLE LATCH	3 BOARDLOCK	NATURAL	YELLOW	0.00038 MIN	5-2368060-7
TYPE I	MYLAR	MIDDLE LATCH	3 TAB	NATURAL	BLACK	0.00076 MIN	2368060-6
TYPE I	MYLAR	MIDDLE LATCH	3 TAB	BLACK	BLACK	0.00076 MIN	2368060-5
TYPE I	MYLAR	MIDDLE LATCH	3 BOARDLOCK	NATURAL	YELLOW	0.00038 MIN	2368060-2
TYPE I	MYLAR	MIDDLE LATCH	3 BOARDLOCK	NATURAL	BLACK	0.00038 MIN	2368060-1
TYPE I	MYLAR	MIDDLE LATCH	3 TAB	NATURAL	NATURAL	0.00076 MIN	6-2199155-2
TYPE I	MYLAR	MIDDLE LATCH	3 TAB	BLACK	BLACK	0.00076 MIN	6-2199155-1
TYPE I	MYLAR	MIDDLE LATCH	2TAB+1BOARDLOCK	NATURAL	BLACK	0.00038 MIN	6-2199155-0
TYPE I	MYLAR	MIDDLE LATCH	2TAB+1BOARDLOCK	NATURAL	BLUE	0.00038 MIN	5-2199155-9
TYPE I	NO MYLAR	MIDDLE LATCH	3 BOARDLOCK	NATURAL	BLACK	0.00038 MIN	5-2199155-8
TYPE I	NO MYLAR	MIDDLE LATCH	3 BOARDLOCK	NATURAL	YELLOW	0.00038 MIN	5-2199155-7
TYPE I	MYLAR	MIDDLE LATCH	3 BOARDLOCK	BLACK	BLACK	0.00076 MIN	5-2199155-4
TYPE I	MYLAR	MIDDLE LATCH	3 BOARDLOCK	NATURAL	BLACK	0.00076 MIN	5-2199155-3
TYPE IV	LARGE CAP	MIDDLE LATCH	3 TAB	NATURAL	BLACK	0.00038 MIN	3-2199155-7
TYPE IV	LARGE CAP	MIDDLE LATCH	3 TAB	BLACK	BLACK	0.00038 MIN	3-2199155-6
TYPE I	NO MYLAR	MIDDLE LATCH	3 TAB	BLACK	BLACK	0.00076 MIN	2-2199155-6
TYPE I	NO MYLAR	MIDDLE LATCH	3 TAB	NATURAL	NATURAL	0.00076 MIN	2-2199155-5
TYPE III	SMALL CAP	MIDDLE LATCH	3 TAB	NATURAL	BLACK	0.00038 MIN	2-2199155-1
TYPE III	SMALL CAP	MIDDLE LATCH	3 TAB	BLACK	BLACK	0.00038 MIN	2-2199155-0
TYPE I	MYLAR	MIDDLE LATCH	3 TAB	NATURAL	BLACK	0.00076 MIN	1-2199155-7
TYPE I	NO MYLAR	MIDDLE LATCH	3 BOARDLOCK	NATURAL	BLUE	0.00045 MIN	1-2199155-4
TYPE I	NO MYLAR	MIDDLE LATCH	3 TAB	BLACK	BLUE	0.00076 MIN	1-2199155-0
PACKAGE TYPE	PICK-UP TYPE	LATCH TYPE	HOUSING HOLD DOWN	LATCH COLOR	HOUSING COLOR	CONTACT GOLD INTERFACE	PART NUMBER

THIS DRAWING IS A CONTROLLED DOCUMENT.

DWN RICHARD MA 17JAN2014	 TE Connectivity
CHK SIMON LI 17JAN2014	
APVD COREI WANG 17JAN2014	
NAME SOCKET ASSEMBLY DDR4 DIMM, SMT TYPE GENERAL 288 POSITION	
PRODUCT SPEC 108-115068	SIZE CAGE CODE DRAWING NO RESTRICTED TO
APPLICATION SPEC -	A200779 C-2199155
MATERIAL -	WEIGHT -
RESTRICTED CUSTOMER	
SCALE 1:1 SHEET 6 OF 14 REV B8	

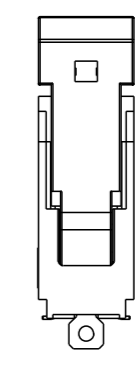
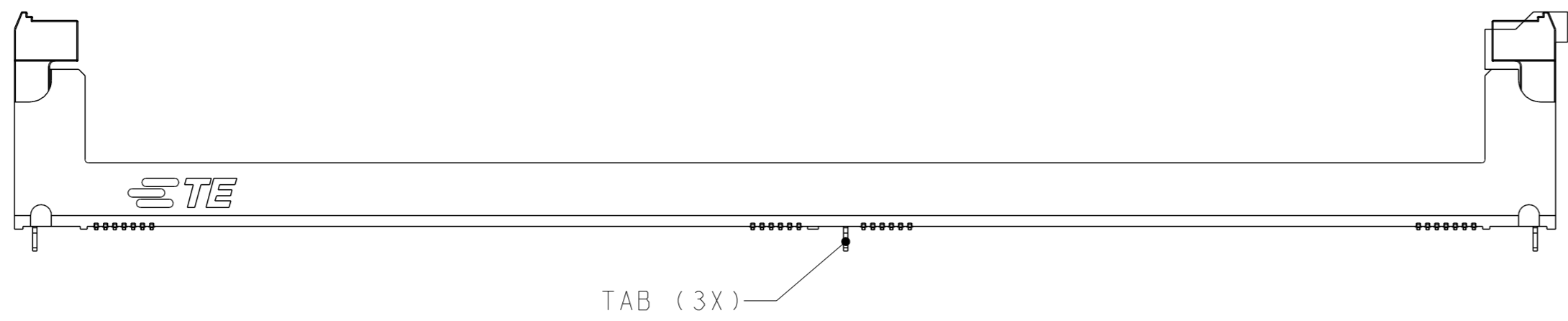
Printed on 25 Nov 2021 16:33 (China Standard Time) from F0086959

THIS DRAWING IS UNPUBLISHED. RELEASED FOR PUBLICATION 20
 © COPYRIGHT 20 TE CONNECTIVITY ALL RIGHTS RESERVED.

LOC		DIST		REVISIONS			
P	LTR	DESCRIPTION	DATE	DWN	APVD		
-	-						

FIXED LATCH TYPE

FIXED LATCH



TAB (3X)

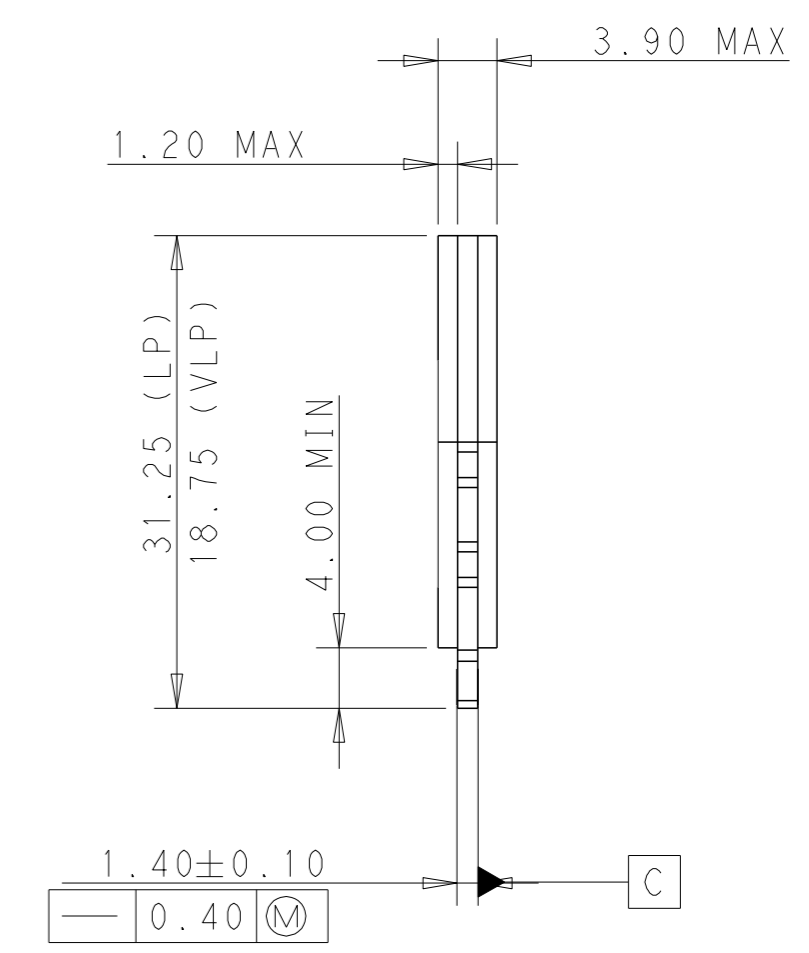
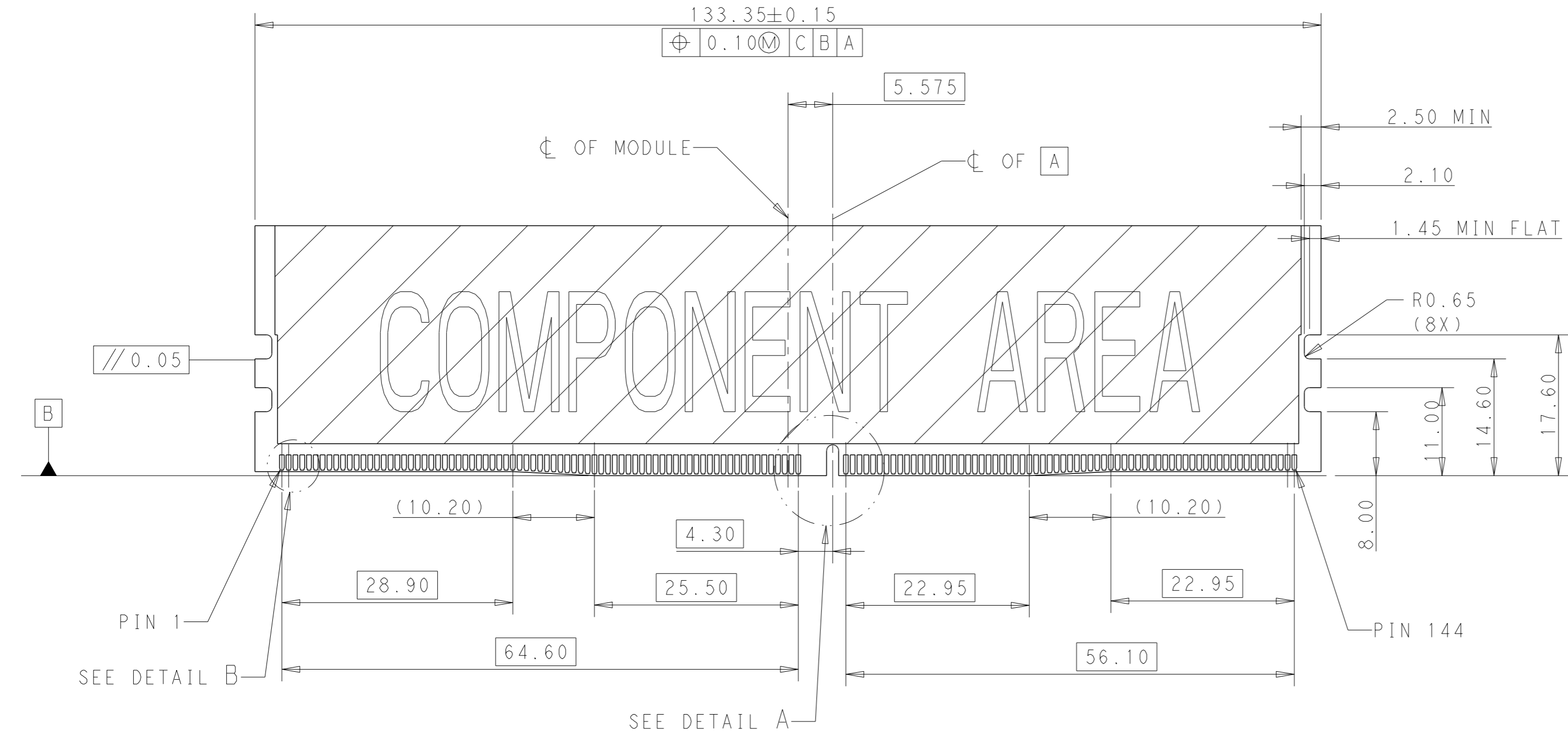
TYPE I	MYLAR	SHORT	FIXED	3 TAB	NATURAL	BLUE	0.00038 MIN	3-2199155-0
PACKAGE TYPE	PICK-UP TYPE	LEFT LATCH	RIGHT LATCH	HOUSING HOLD DOWN	LATCH COLOR	HOUSING COLOR	CONTACT GOLD INTERFACE	PART NUMBER

THIS DRAWING IS A CONTROLLED DOCUMENT.		DWN 17JAN2014 RICHARD MA	TE Connectivity
DIMENSIONS: mm		CHK 17JAN2014 SIMON LI	
		APVD 17JAN2014 COREI WANG	
TOLERANCES UNLESS OTHERWISE SPECIFIED:		PRODUCT SPEC 108-115068	NAME SOCKET ASSEMBLY DDR4 DIMM, SMT TYPE GENERAL 288 POSITION
MATERIAL		APPLICATION SPEC -	SIZE A2
		WEIGHT -	CAGE CODE 00779
		RESTRICTED CUSTOMER	DRAWING NO C-2199155
			RESTRICTED TO
			SCALE 1:1 SHEET 7 OF 14 REV B8

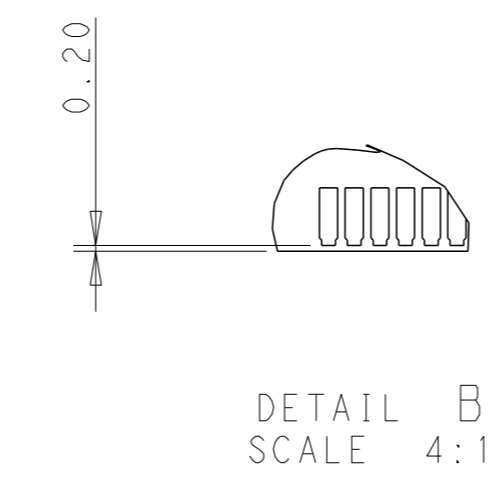
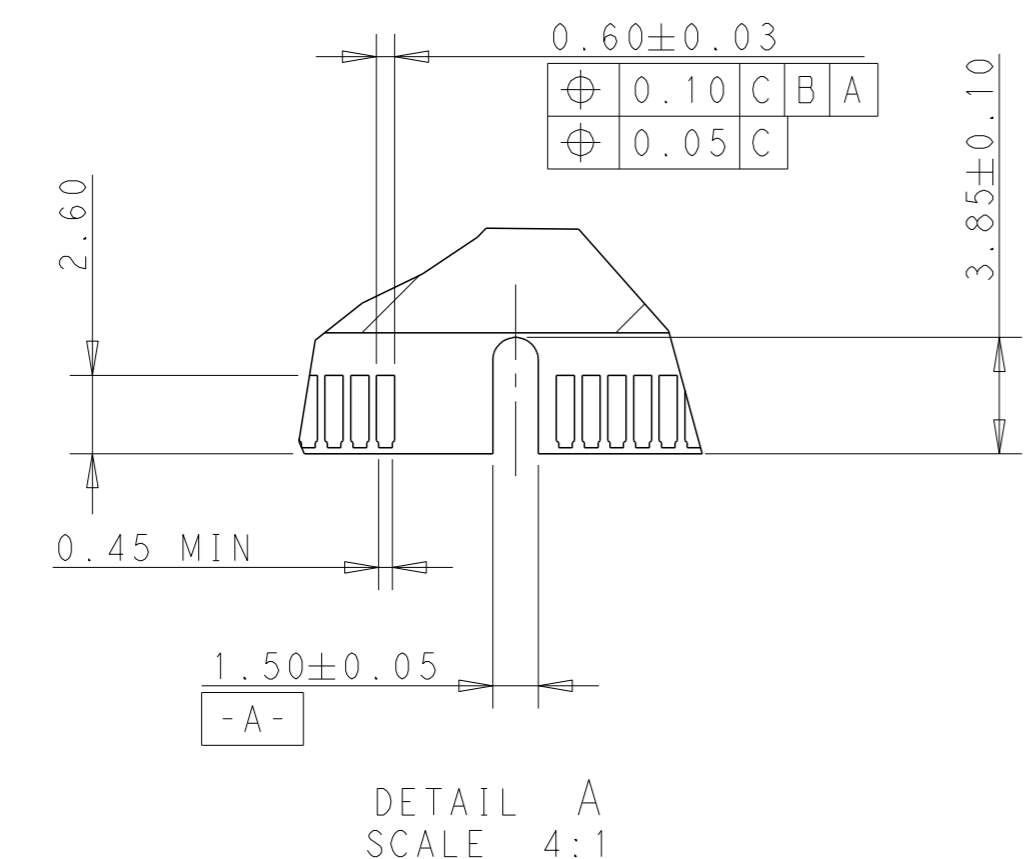
Printed on 25 Nov 2021 16:33 (China Standard Time) from F0086959

THIS DRAWING IS UNPUBLISHED. RELEASED FOR PUBLICATION 20
 © COPYRIGHT 20 TE CONNECTIVITY ALL RIGHTS RESERVED.

LOC		DIST		REVISIONS			
P	LTR	DESCRIPTION	DATE	DWN	APVD		



RECOMMENDED MODULE LAYOUT

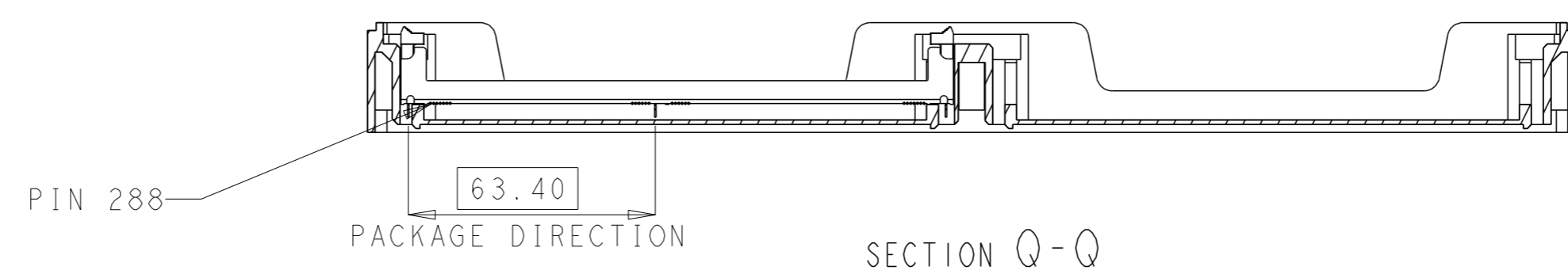
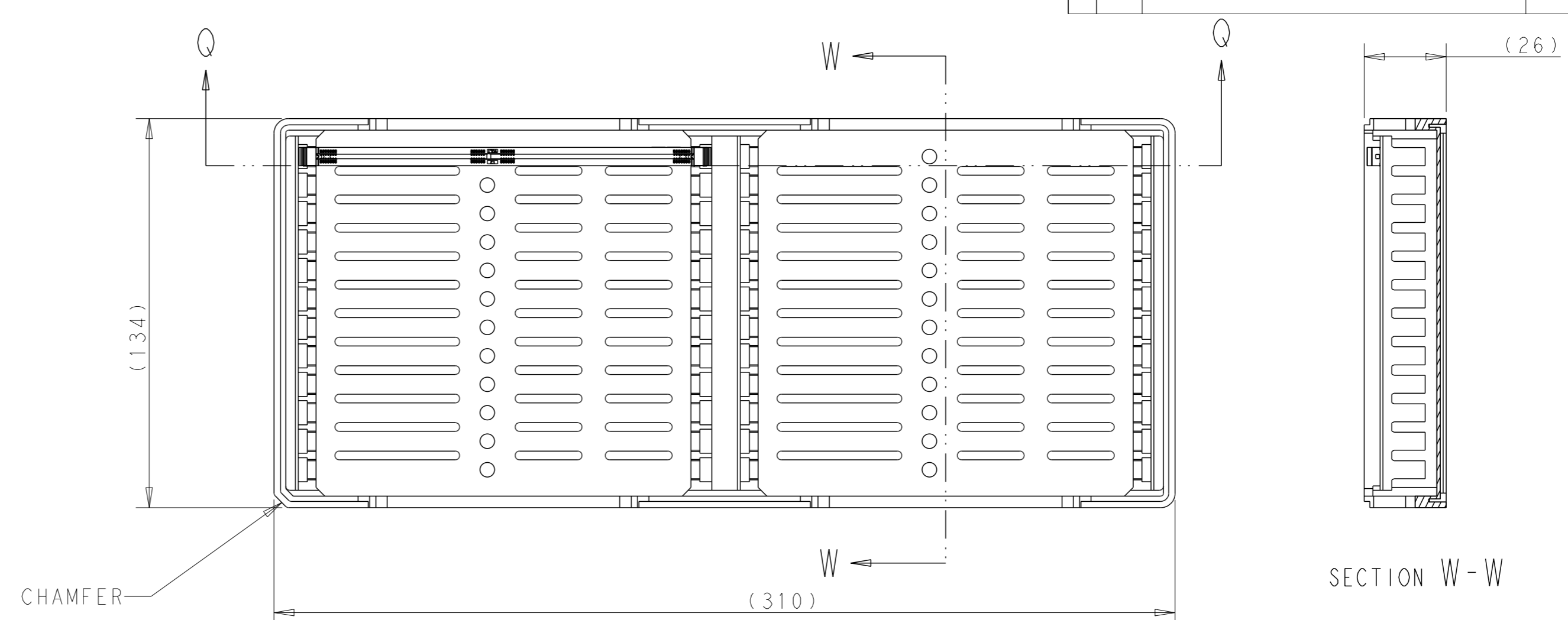
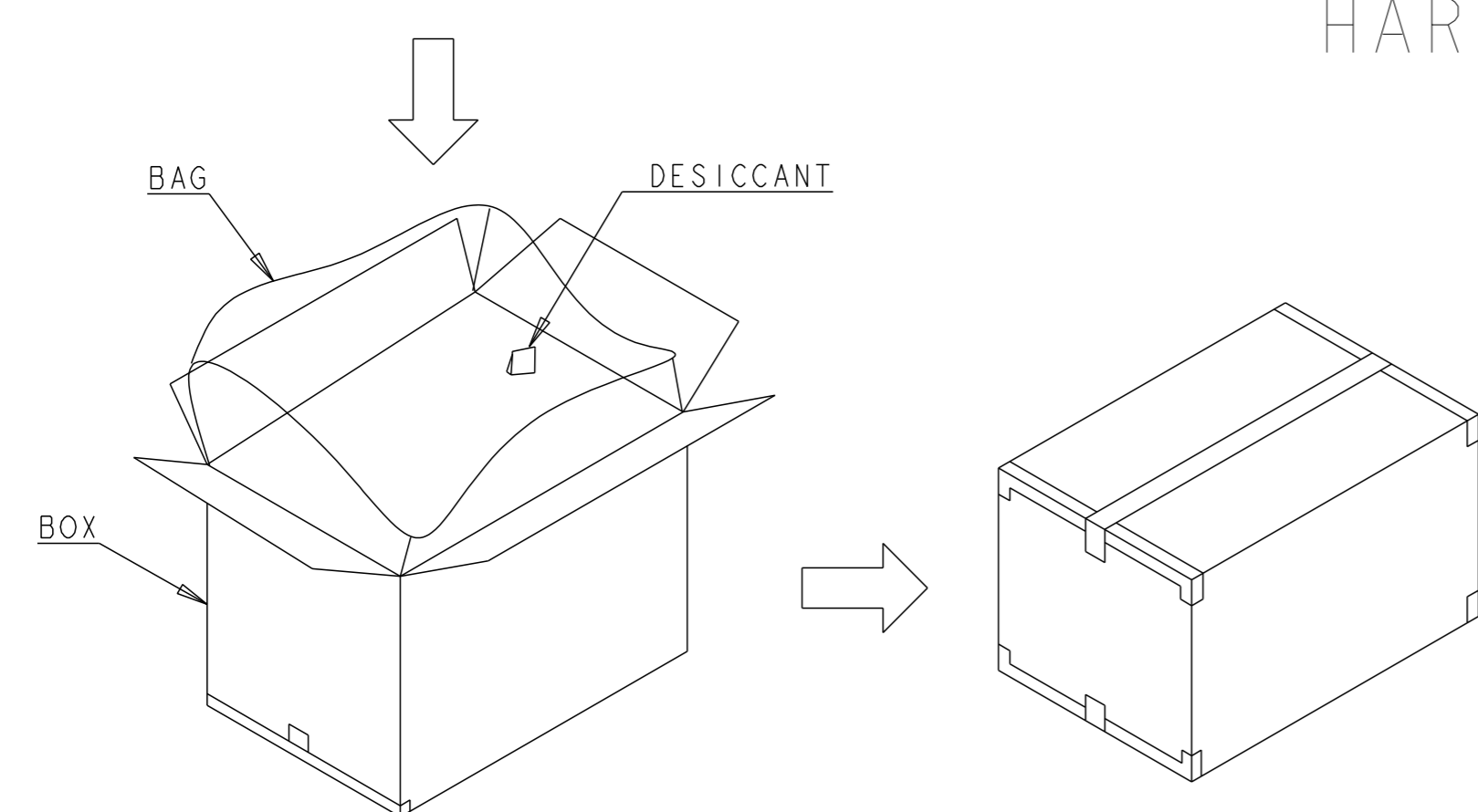
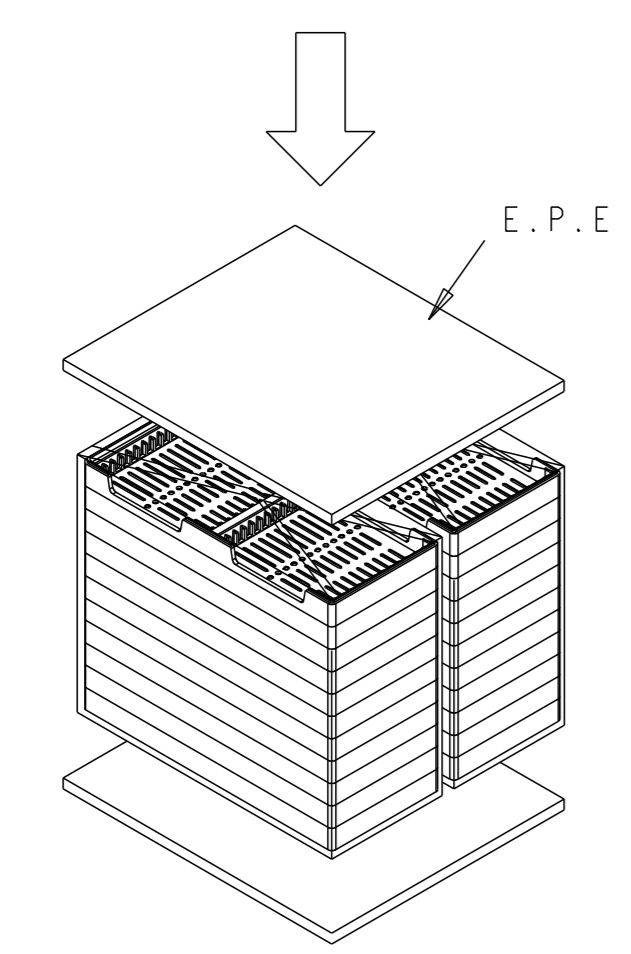
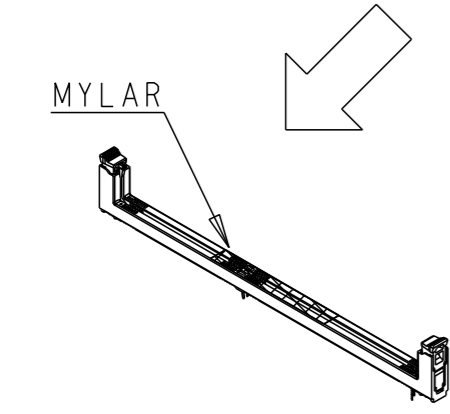
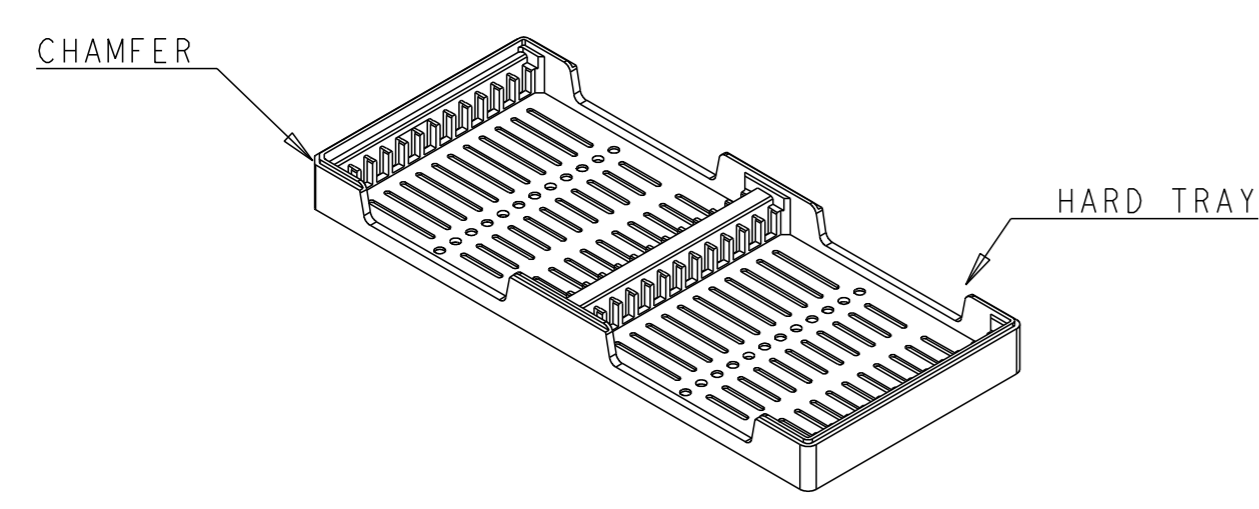


THIS DRAWING IS A CONTROLLED DOCUMENT.		DWN RICHARD MA 17JAN2014	TE Connectivity	
DIMENSIONS: mm		CHK SIMON LI 17JAN2014		
TOLERANCES UNLESS OTHERWISE SPECIFIED:		APVD COREI WANG 17JAN2014	NAME SOCKET ASSEMBLY DDR4 DIMM, SMT TYPE GENERAL 288 POSITION	
0 PLC ±		PRODUCT SPEC 108-115068	SIZE CAGE CODE DRAWING NO RESTRICTED TO	
1 PLC ±0.25		APPLICATION SPEC -	A200779 C-2199155	
2 PLC ±0.15		WEIGHT -	SCALE 1:1 SHEET 8 OF 14 REV B8	
3 PLC ±0.10		RESTRICTED CUSTOMER		
4 PLC ±				
ANGLES ±				
FINISH				

Printed on 25 Nov 2021 16:33 (China Standard Time) from F0086999

THIS DRAWING IS UNPUBLISHED. RELEASED FOR PUBLICATION 20
 © COPYRIGHT 20 TE CONNECTIVITY ALL RIGHTS RESERVED.

REVISIONS				DATE	DWN	APVD
LOC	DIST	P	LTR	DESCRIPTION		
-	-					



HARD TRAY TYPE I

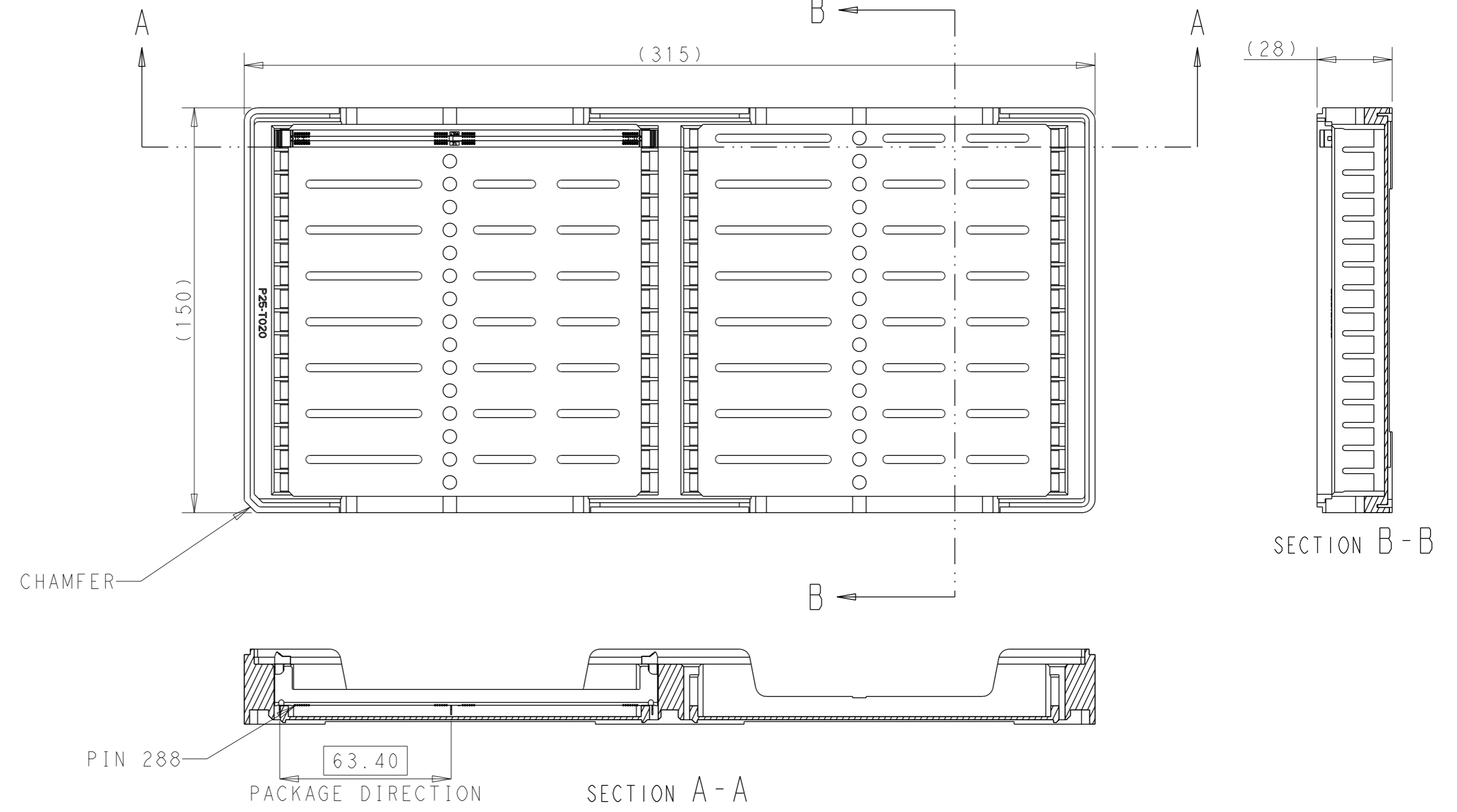
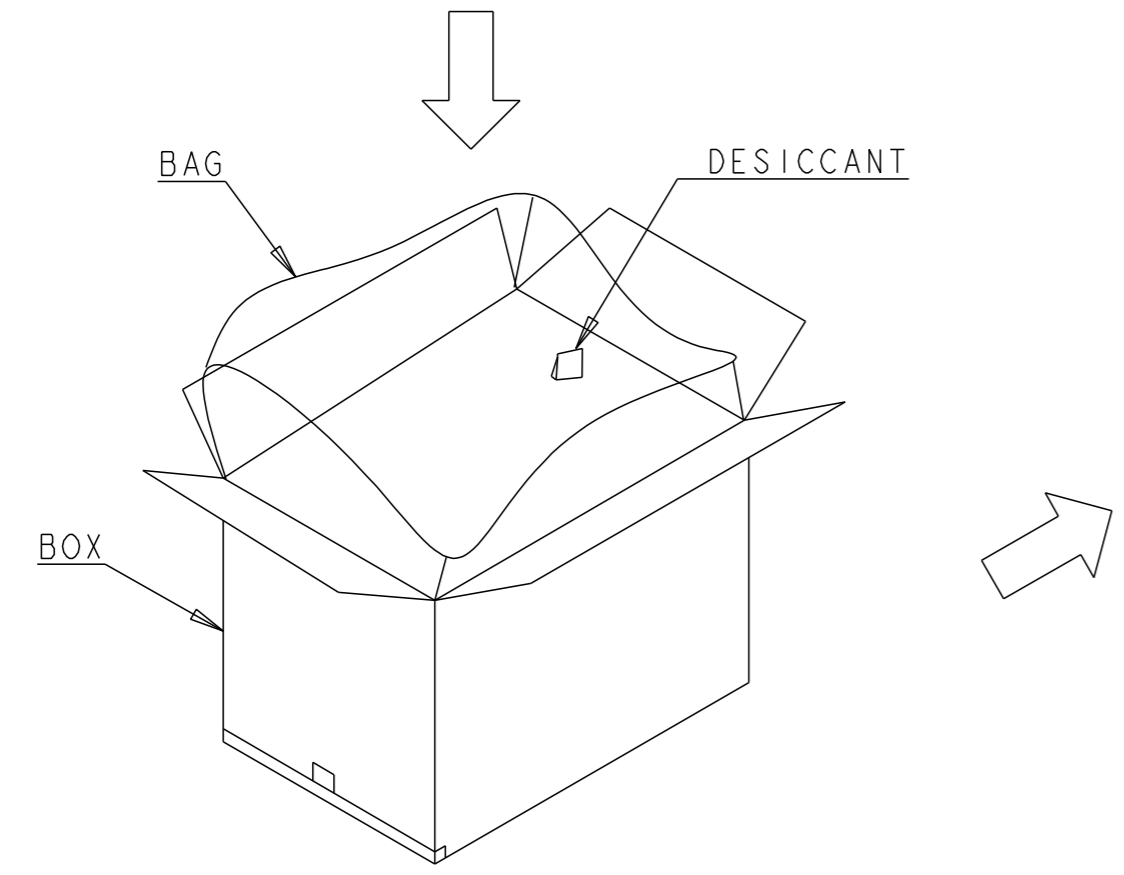
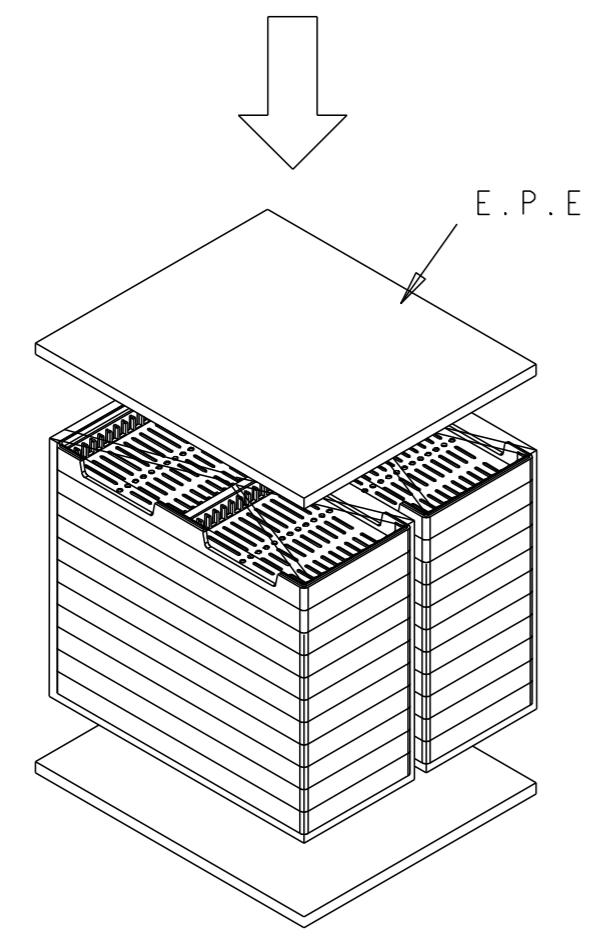
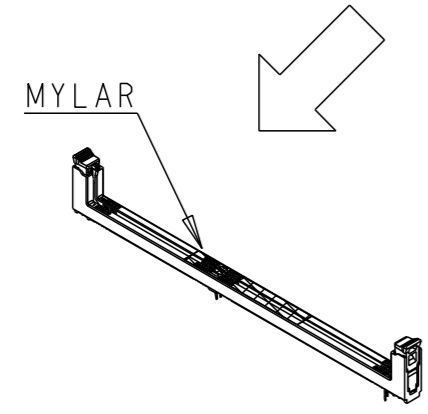
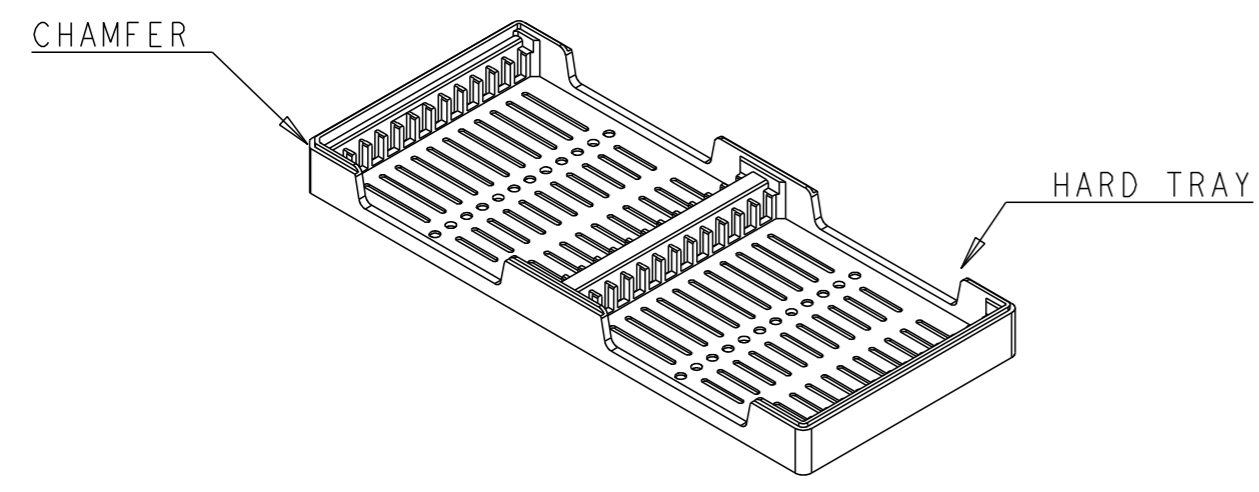
- MATERIALS :
 TRAY: HIPS, COLOR: BLACK
 BOX: CORRUGATED FIBERBOARD
 TRANSPARENT BAG: PE
- DIMENSIONS:
 TRAY: L=310;W=134;H=26
 BOX: L=340;W=300;H=310
- QUANTITY:
 24 PCS/TRAY
 480 PCS/BOX
- WEIGHT:
 NET WEIGHT: 2.6KG
 GROSS WEIGHT: 5.8KG

THIS DRAWING IS A CONTROLLED DOCUMENT.		DWN RICHARD MA 17JAN2014	TE Connectivity															
DIMENSIONS: mm		CHK SIMON LI 17JAN2014																
TOLERANCES UNLESS OTHERWISE SPECIFIED:		APVD COREI WANG 17JAN2014	NAME SOCKET ASSEMBLY DDR4 DIMM, SMT TYPE GENERAL 288 POSITION															
<table border="1"> <tr><td>0 PLC</td><td>±</td></tr> <tr><td>1 PLC</td><td>±0.25</td></tr> <tr><td>2 PLC</td><td>±0.15</td></tr> <tr><td>3 PLC</td><td>±0.10</td></tr> <tr><td>4 PLC</td><td>±</td></tr> <tr><td>ANGLES</td><td>±</td></tr> <tr><td>FINISH</td><td>±</td></tr> </table>		0 PLC	±	1 PLC	±0.25	2 PLC	±0.15	3 PLC	±0.10	4 PLC	±	ANGLES	±	FINISH	±	PRODUCT SPEC 108-115068	SIZE A200779	
0 PLC	±																	
1 PLC	±0.25																	
2 PLC	±0.15																	
3 PLC	±0.10																	
4 PLC	±																	
ANGLES	±																	
FINISH	±																	
MATERIAL		APPLICATION SPEC	DRAWING NO C-2199155															
		WEIGHT	RESTRICTED TO															
		RESTRICTED CUSTOMER	SCALE 1:1 SHEET 9 OF 14 REV B8															

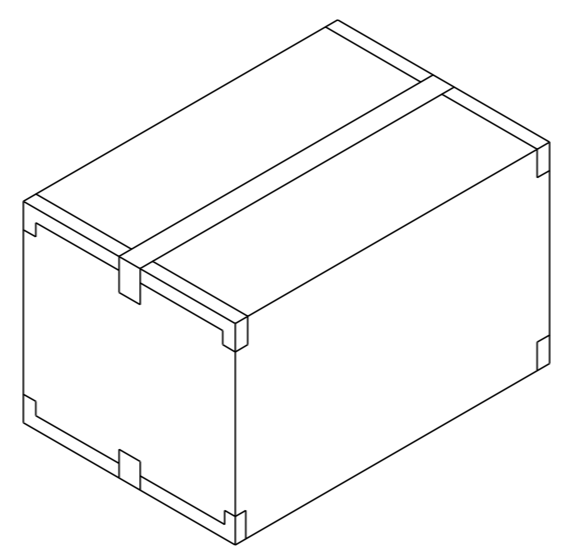
Printed on 25 Nov 2021 16:33 (China Standard Time) from F0086959

THIS DRAWING IS UNPUBLISHED. RELEASED FOR PUBLICATION 20
 © COPYRIGHT 20 TE CONNECTIVITY ALL RIGHTS RESERVED.

LOC		DIST		REVISIONS			
P	LTR	DESCRIPTION	DATE	DWN	APVD		
-	-						



HARD TRAY TYPE II

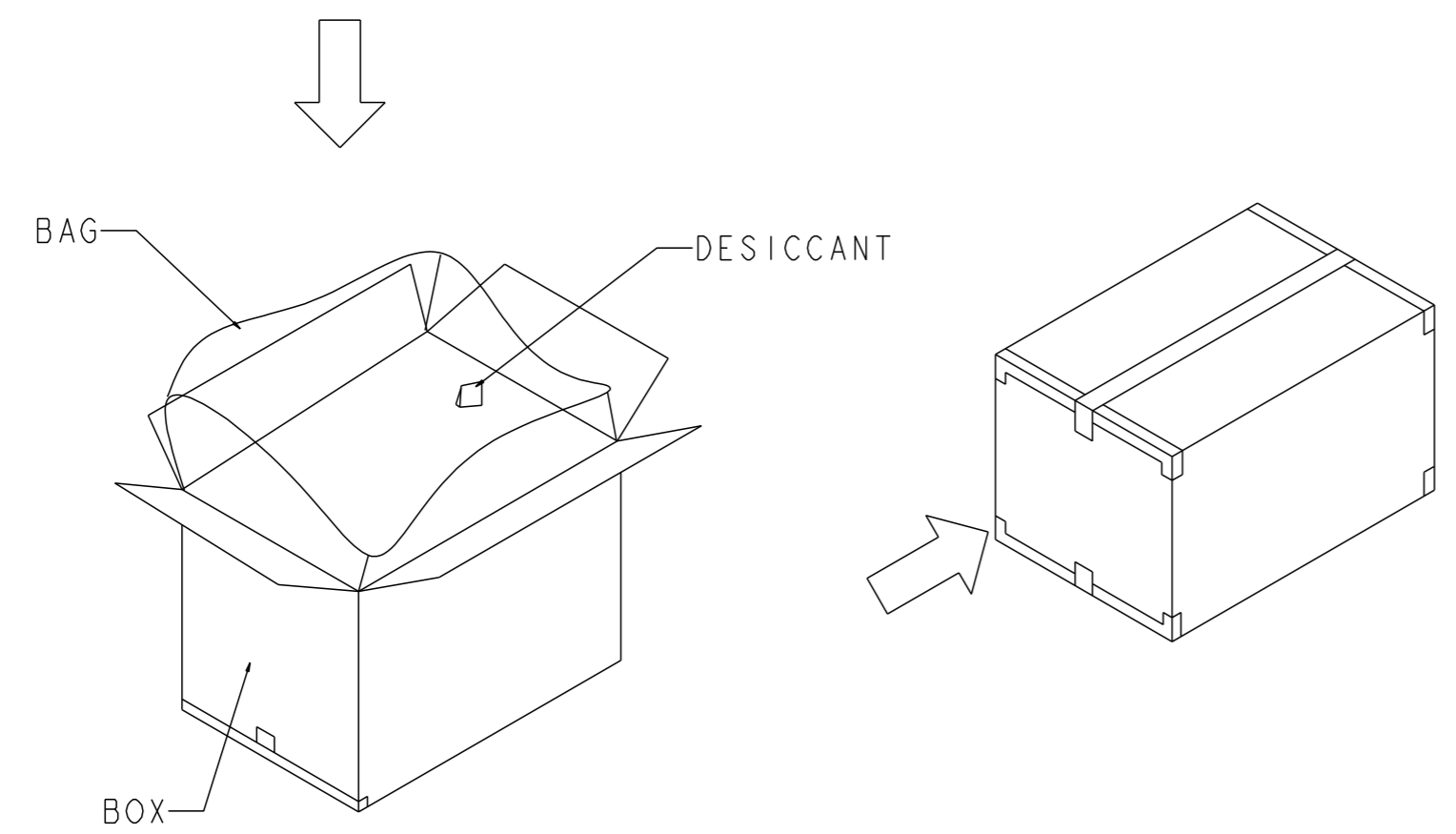
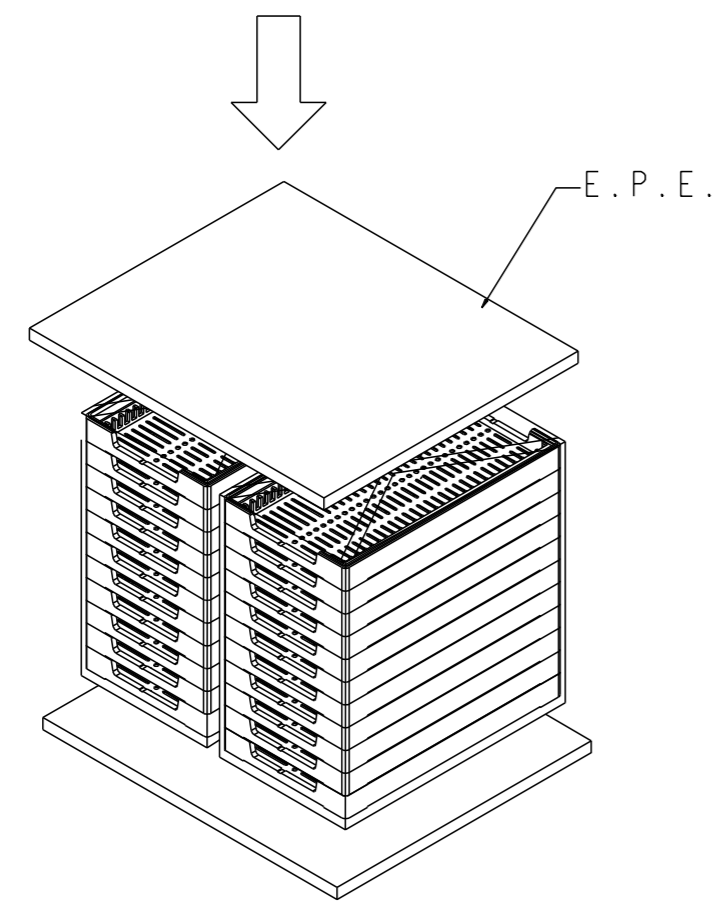
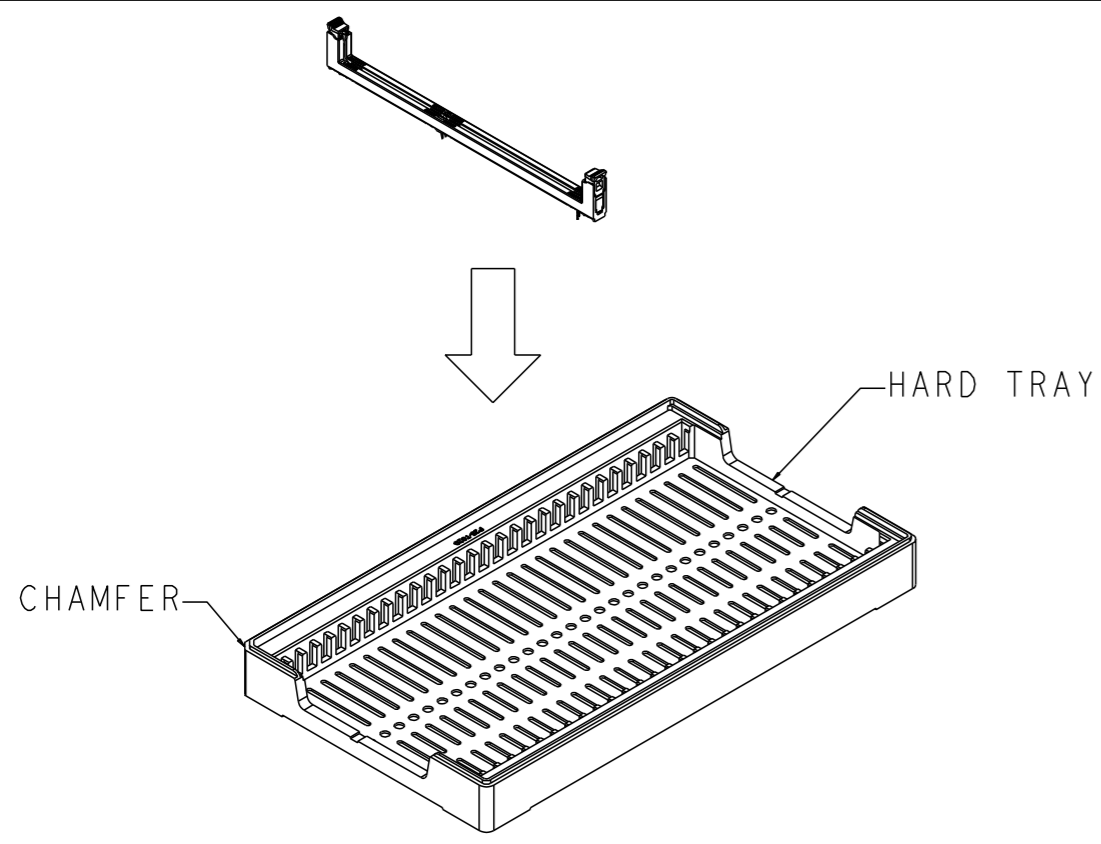


- MATERIALS :
 TRAY: HIPS, COLOR: BLACK
 BOX: CORRUGATED FIBERBOARD
 TRANSPARENT BAG: PE
- DIMENSIONS:
 TRAY: L=315;W=150;H=28;PITCH=8.5
 BOX: L=330;W=320;H=335
- QUANTITY:
 32 PCS/TRAY
 640 PCS/BOX

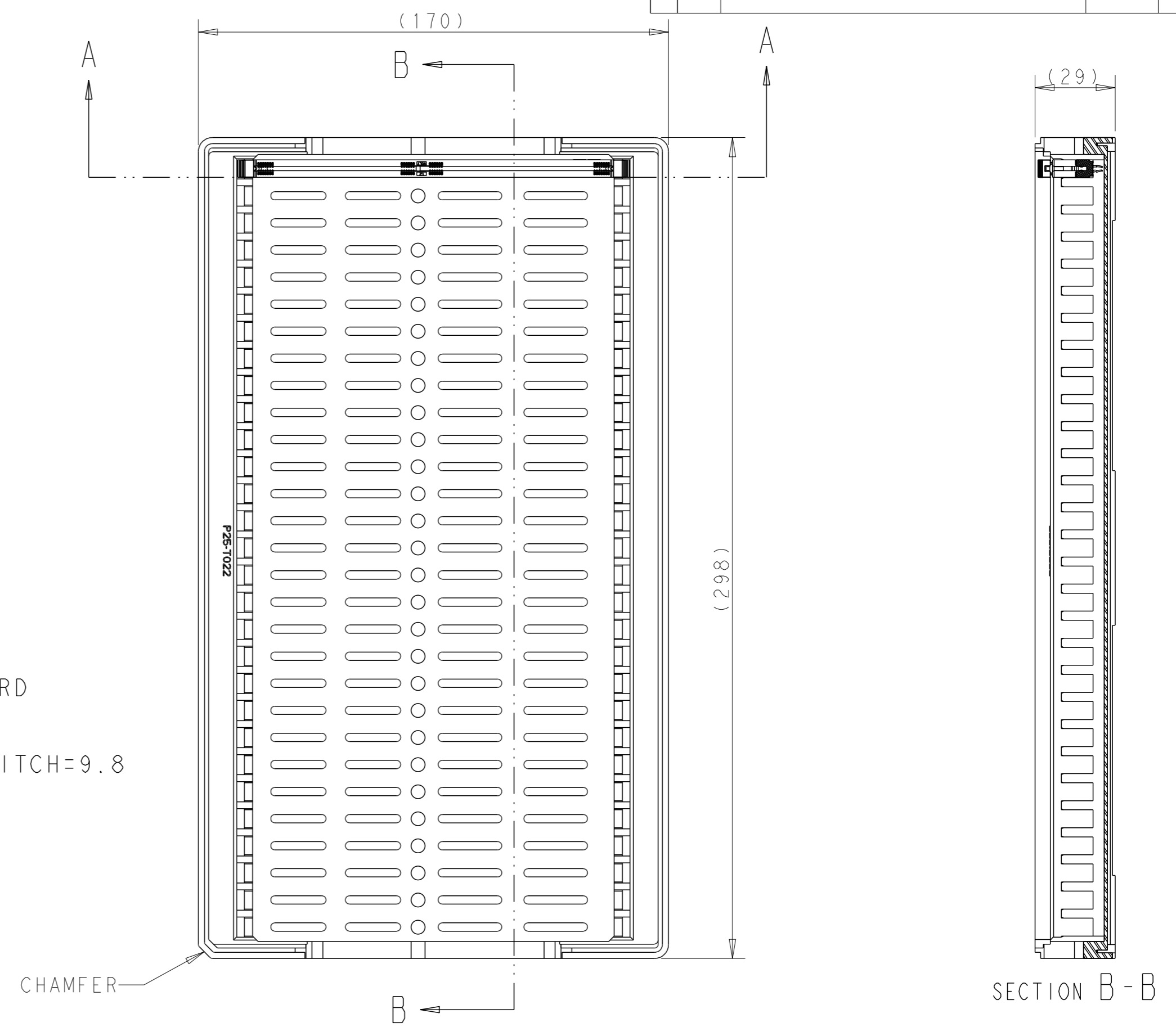
THIS DRAWING IS A CONTROLLED DOCUMENT.		DWN RICHARD MA 17JAN2014	STE TE Connectivity	
		CHK SIMON LI 17JAN2014		
DIMENSIONS: mm		APVD COREL WANG 17JAN2014	NAME SOCKET ASSEMBLY	
TOLERANCES UNLESS OTHERWISE SPECIFIED:		PRODUCT SPEC 108-115068	DDR4 DIMM, SMT TYPE GENERAL	
0 PLC ±		APPLICATION SPEC	288 POSITION	
1 PLC ±0.25		WEIGHT -	SIZE A2	CAGE CODE 00779
2 PLC ±0.15		RESTRICTED CUSTOMER	DRAWING NO C-2199155	RESTRICTED TO
3 PLC ±0.10			SCALE 1:1	SHEET 10 OF 14
4 PLC ±				REV B8
ANGLES ±				
FINISH				

Printed on 25 Nov 2021 16:33 (China Standard Time) from F0086959

REVISIONS				DATE	DWN	APVD
LOC	DIST	P	LTR	DESCRIPTION		
-	-					



- MATERIALS :
 TRAY: HIPS, COLOR: BLACK
 BOX: CORRUGATED FIBERBOARD
 TRANSPARENT BAG: PE
- DIMENSIONS:
 TRAY: L=298;W=170;H=29;PITCH=9.8
 BOX: L=355;W=315;H=350
- QUANTITY:
 29 PCS/TRAY
 580 PCS/BOX



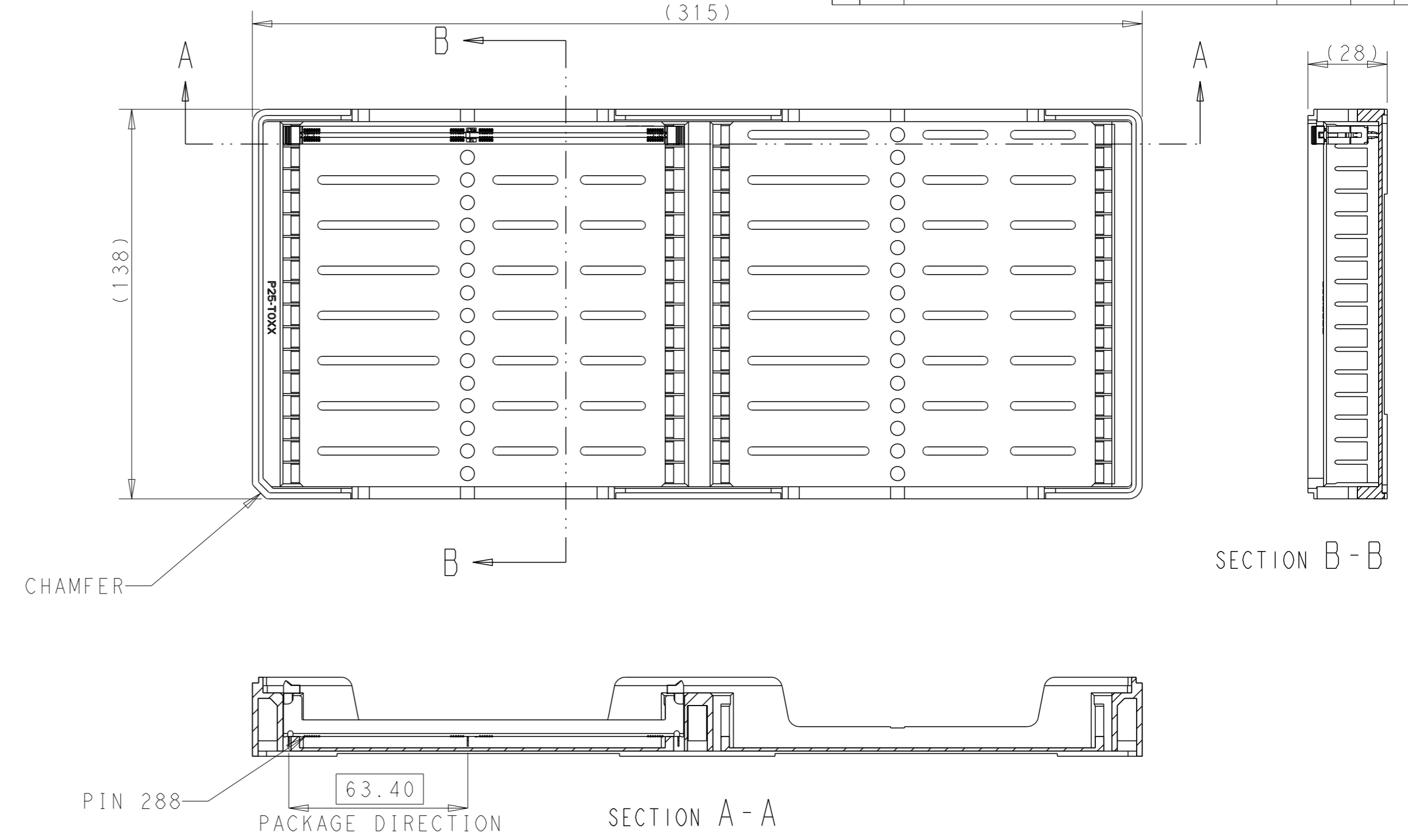
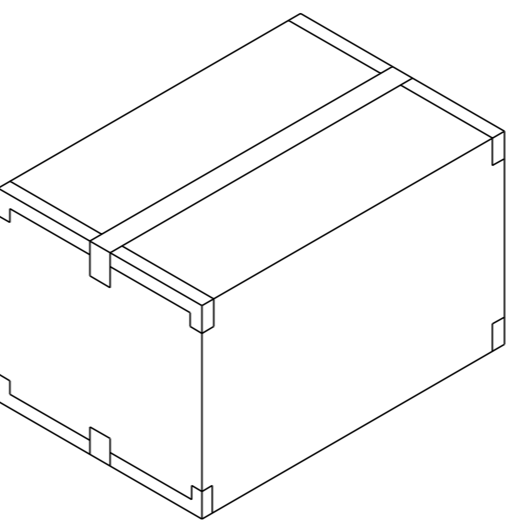
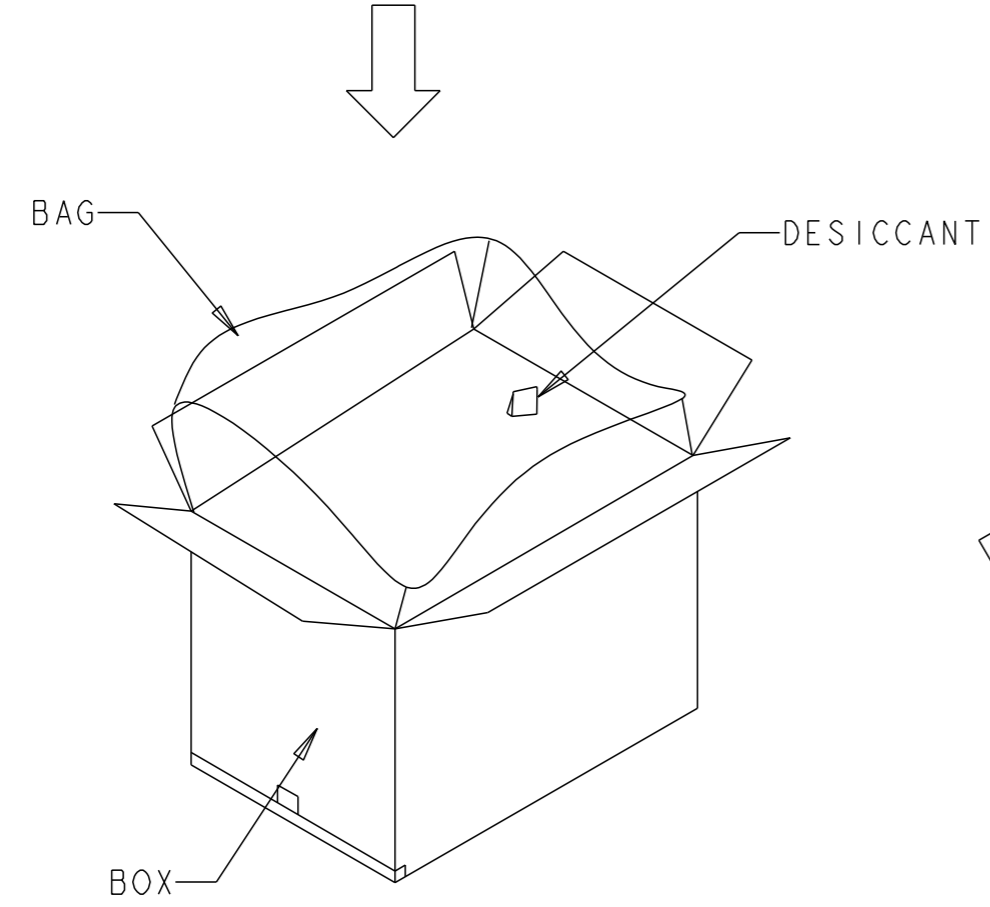
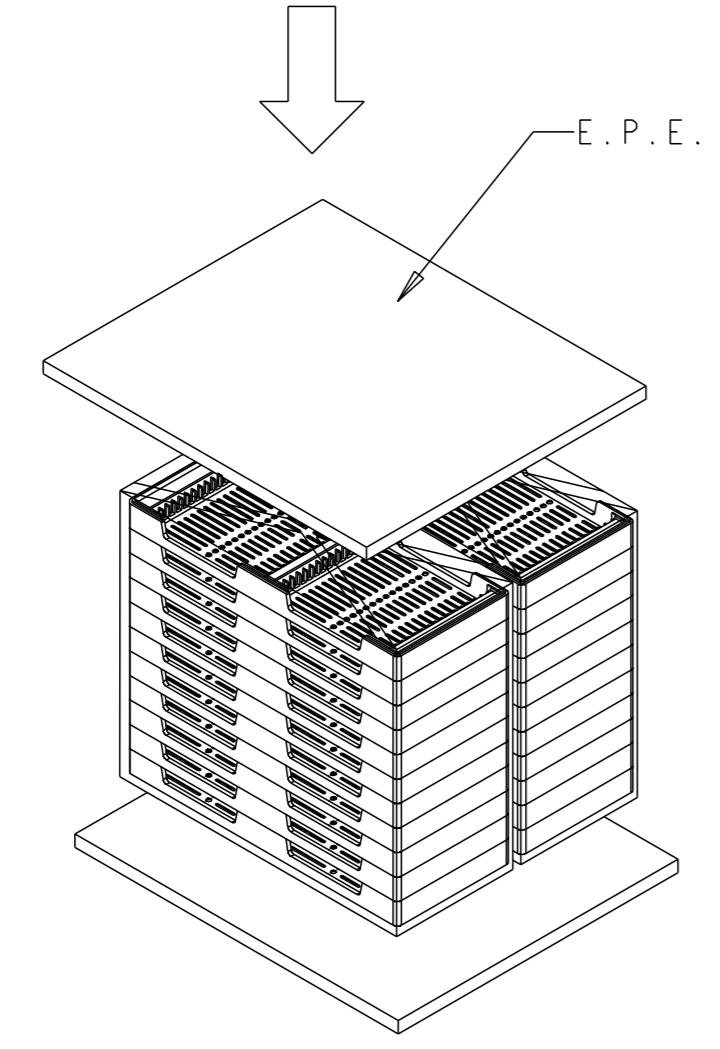
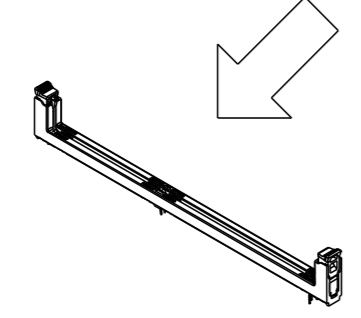
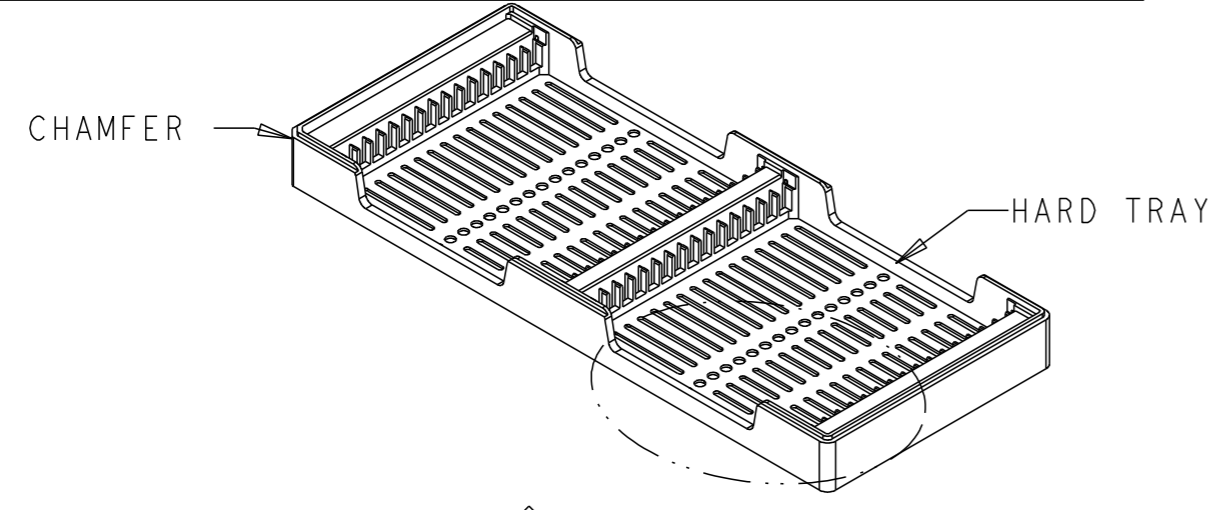
HARD TRAY TYPE III

THIS DRAWING IS A CONTROLLED DOCUMENT.		DWN RICHARD MA 17JAN2014	TE Connectivity	
DIMENSIONS: mm		CHK SIMON LI 17JAN2014		
TOLERANCES UNLESS OTHERWISE SPECIFIED:		APVD COREL WANG 17JAN2014	NAME SOCKET ASSEMBLY	
0 PLC ±		PRODUCT SPEC 108-115068	DDR4 DIMM, SMT TYPE GENERAL	
1 PLC ±0.25		APPLICATION SPEC	288 POSITION	
2 PLC ±0.15		WEIGHT -	SIZE A2	CAGE CODE 00779
3 PLC ±0.10		RESTRICTED CUSTOMER	DRAWING NO C-2199155	RESTRICTED TO
4 PLC ±			SCALE 1:1	SHEET 11 OF 14
ANGLES ±				REV B8
FINISH				

Printed on 25 Nov 2021 16:33 (China Standard Time) from F0086959

THIS DRAWING IS UNPUBLISHED. RELEASED FOR PUBLICATION 20
 © COPYRIGHT 20 TE CONNECTIVITY ALL RIGHTS RESERVED.

LOC		DIST		REVISIONS			
P	LTR	DESCRIPTION	DATE	DWN	APVD		
-	-						



- MATERIALS :
 TRAY: HIPS, COLOR: BLACK
 BOX: CORRUGATED FIBERBOARD
 TRANSPARENT BAG: PE
- DIMENSIONS:
 TRAY: L=315;W=138;H=28;PITCH=8.0
 BOX: L=330;W=295;H=335
- QUANTITY:
 32 PCS/TRAY
 640 PCS/BOX

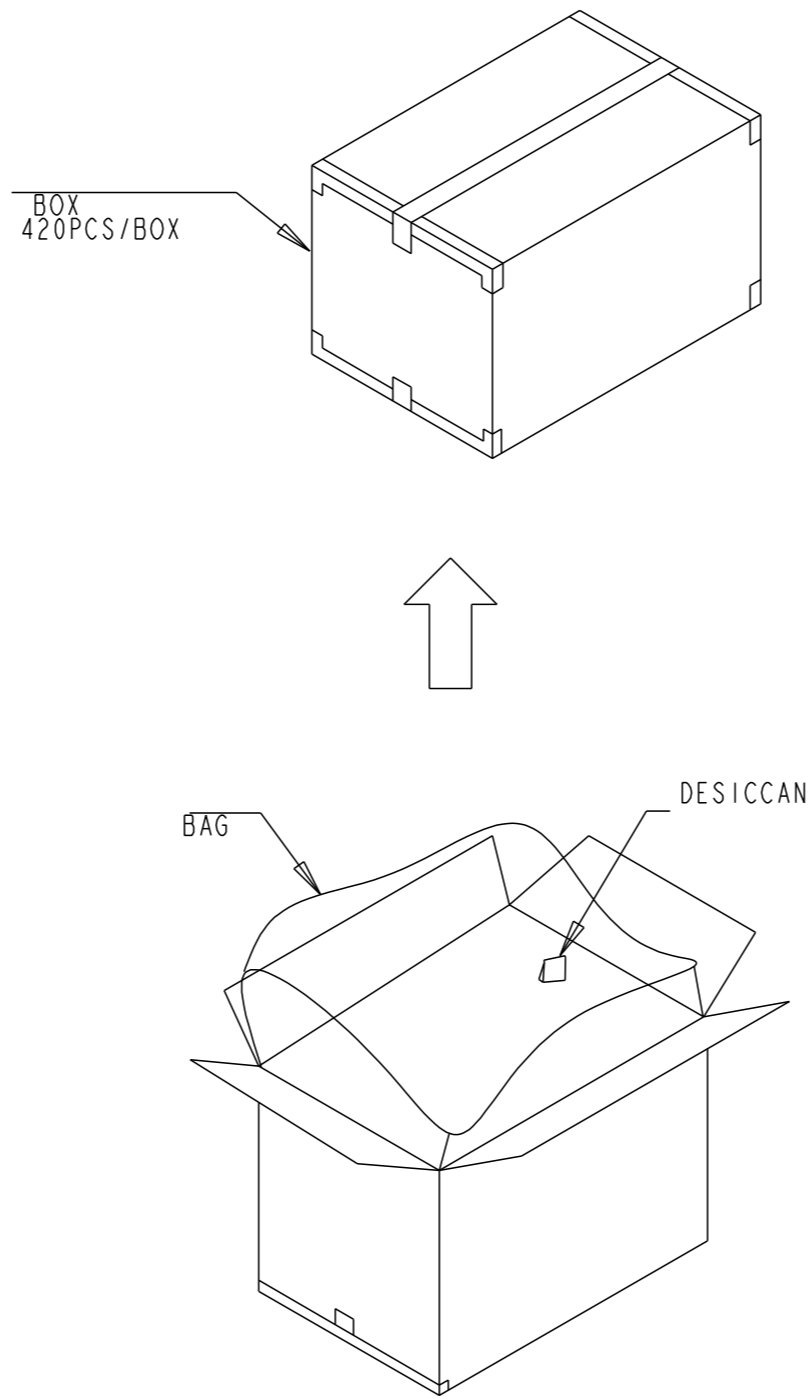
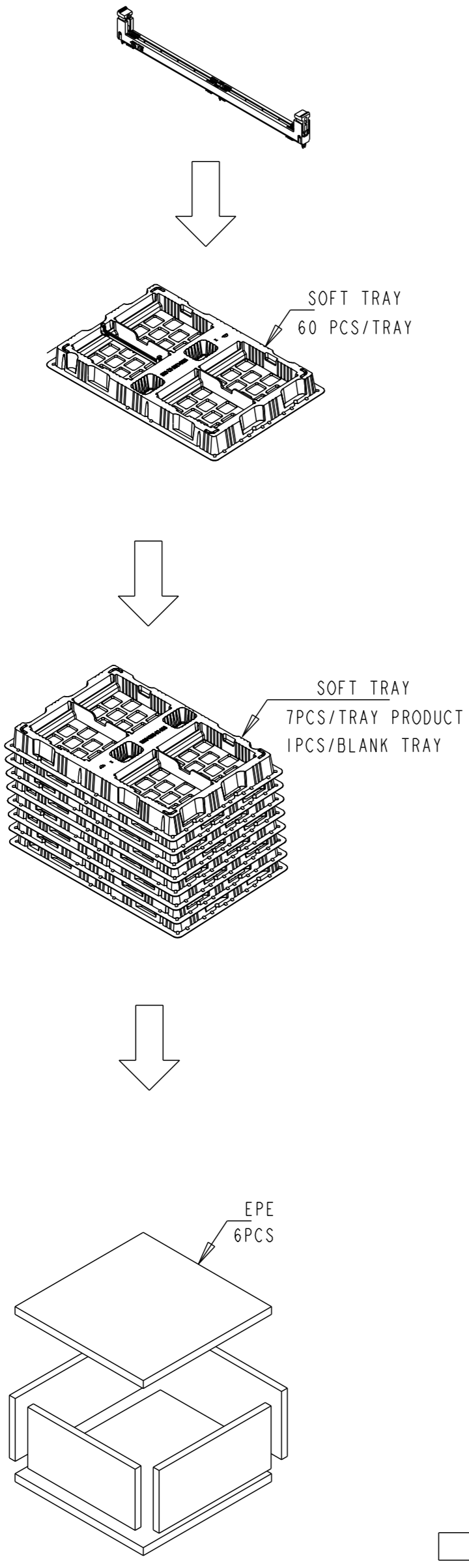
HARD TRAY TYPE IV

THIS DRAWING IS A CONTROLLED DOCUMENT.		DWN RICHARD MA 17JAN2014	TE Connectivity															
DIMENSIONS: mm		CHK SIMON LI 17JAN2014																
TOLERANCES UNLESS OTHERWISE SPECIFIED:		APVD COREL WANG 17JAN2014	NAME SOCKET ASSEMBLY DDR4 DIMM, SMT TYPE GENERAL 288 POSITION															
<table border="1"> <tr><td>0 PLC</td><td>±</td></tr> <tr><td>1 PLC</td><td>±0.25</td></tr> <tr><td>2 PLC</td><td>±0.15</td></tr> <tr><td>3 PLC</td><td>±0.10</td></tr> <tr><td>4 PLC</td><td>±</td></tr> <tr><td>ANGLES</td><td>±</td></tr> <tr><td>FINISH</td><td>±</td></tr> </table>		0 PLC	±	1 PLC	±0.25	2 PLC	±0.15	3 PLC	±0.10	4 PLC	±	ANGLES	±	FINISH	±	PRODUCT SPEC 108-115068	SIZE A2	CAGE CODE 00779
0 PLC	±																	
1 PLC	±0.25																	
2 PLC	±0.15																	
3 PLC	±0.10																	
4 PLC	±																	
ANGLES	±																	
FINISH	±																	
MATERIAL		APPLICATION SPEC	DRAWING NO C-2199155	RESTRICTED TO														
		WEIGHT	SCALE 1:1 SHEET 12 OF 14 REV B8															
		RESTRICTED CUSTOMER																

Printed on 25 Nov 2021 16:33 (China Standard Time) from F0086959

THIS DRAWING IS UNPUBLISHED. RELEASED FOR PUBLICATION 20
 © COPYRIGHT 20 TE CONNECTIVITY ALL RIGHTS RESERVED.

LOC		DIST		REVISIONS			
P	LTR	DESCRIPTION	DATE	DWN	APVD		
-	-						



- MATERIALS :
 TRAY: PVC, COLOR: TRANSPARENT
 BOX: CORRUGATED FIBERBOARD
 TRANSPARENT BAG: PE
- DIMENSIONS:
 TRAY: L=410;W=270;H=36.3;
 BOX: L=460;W=320;H=290
- QUANTITY:
 60 PCS/TRAY
 420 PCS/BOX

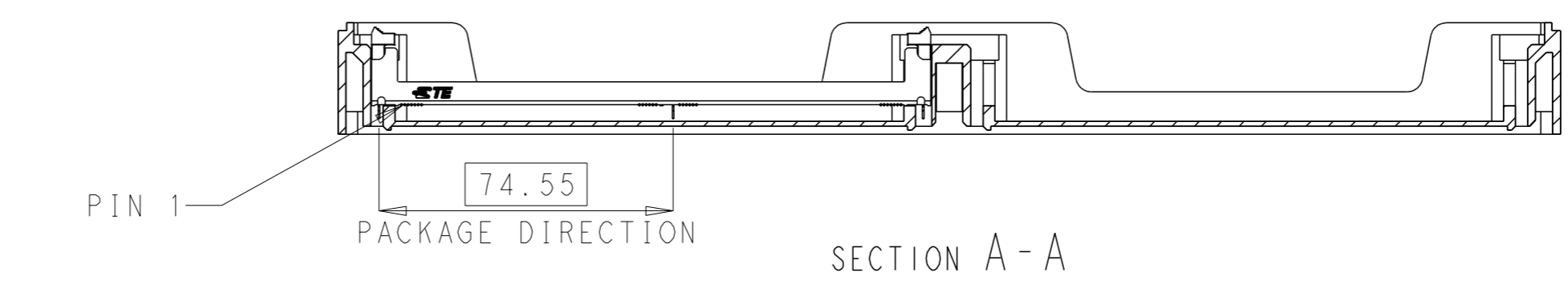
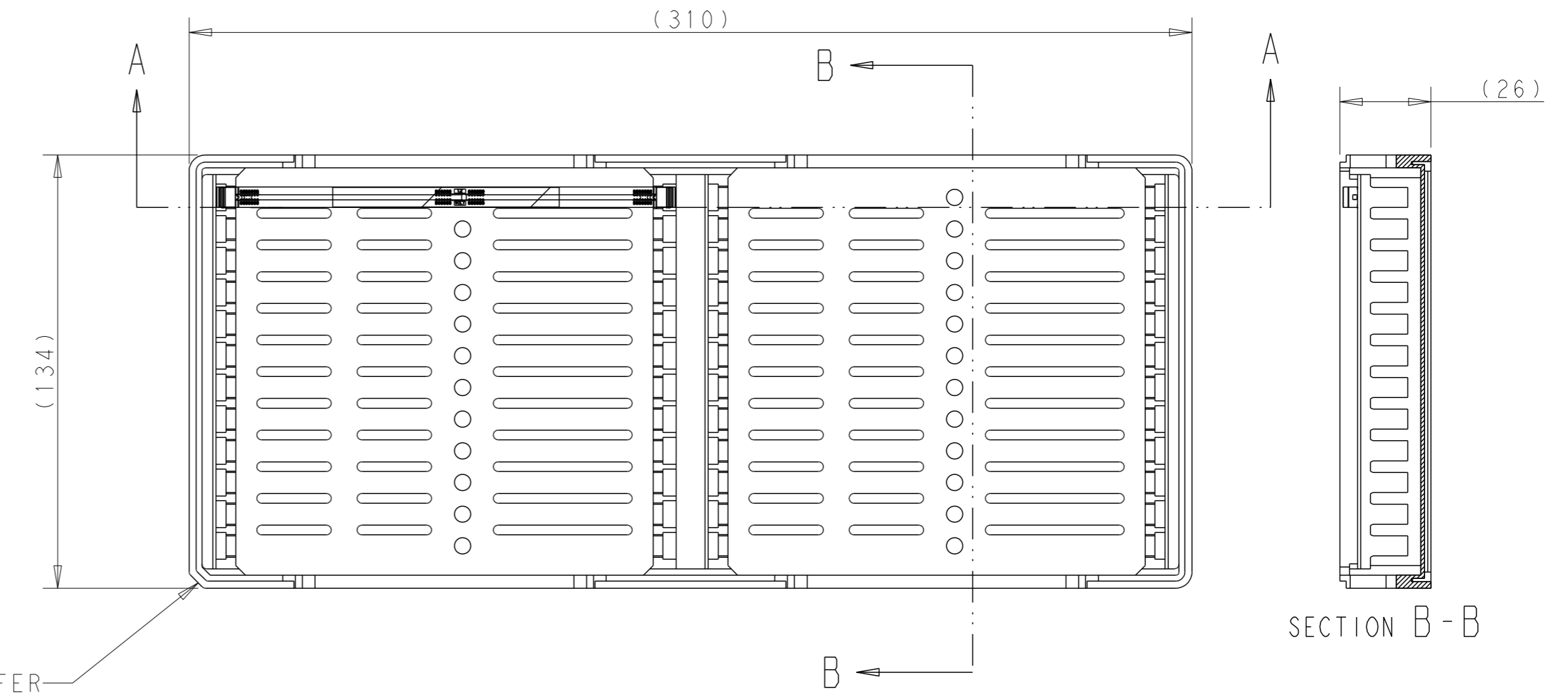
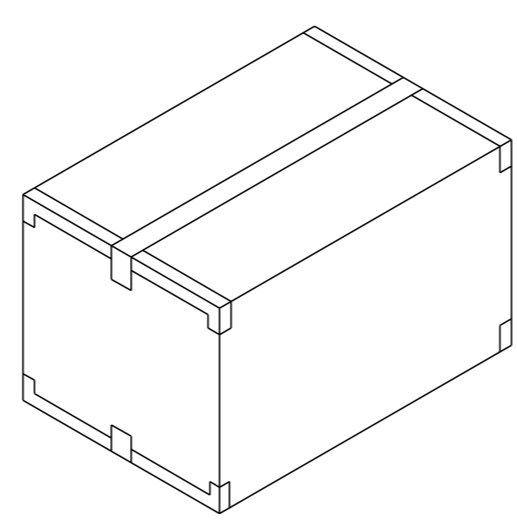
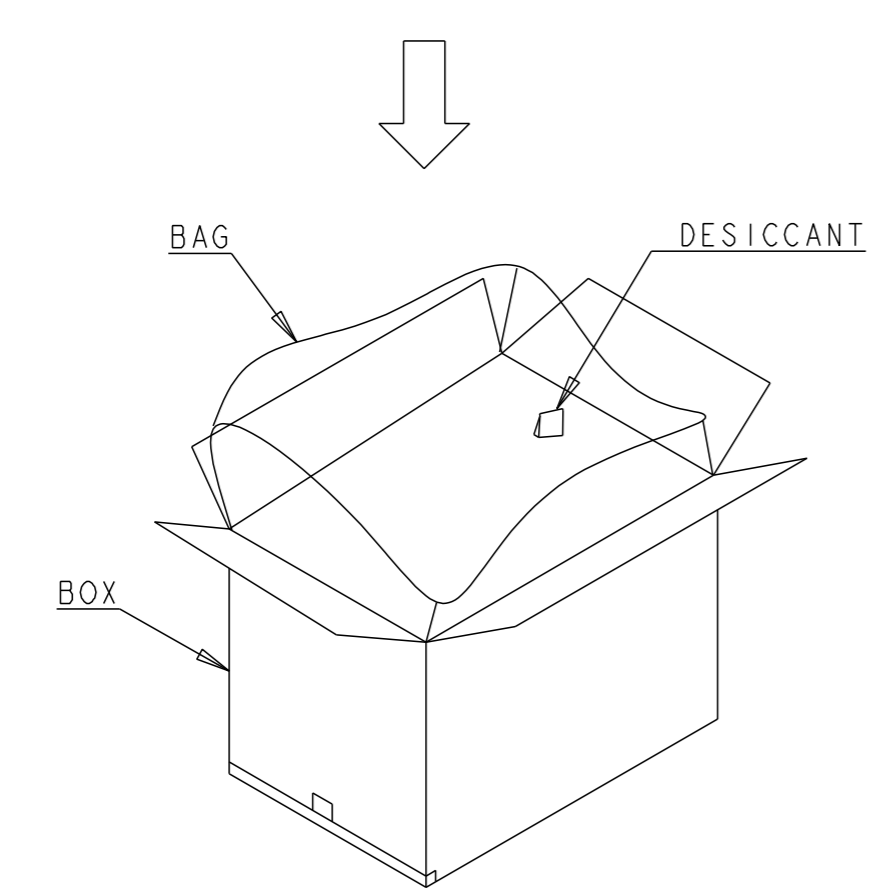
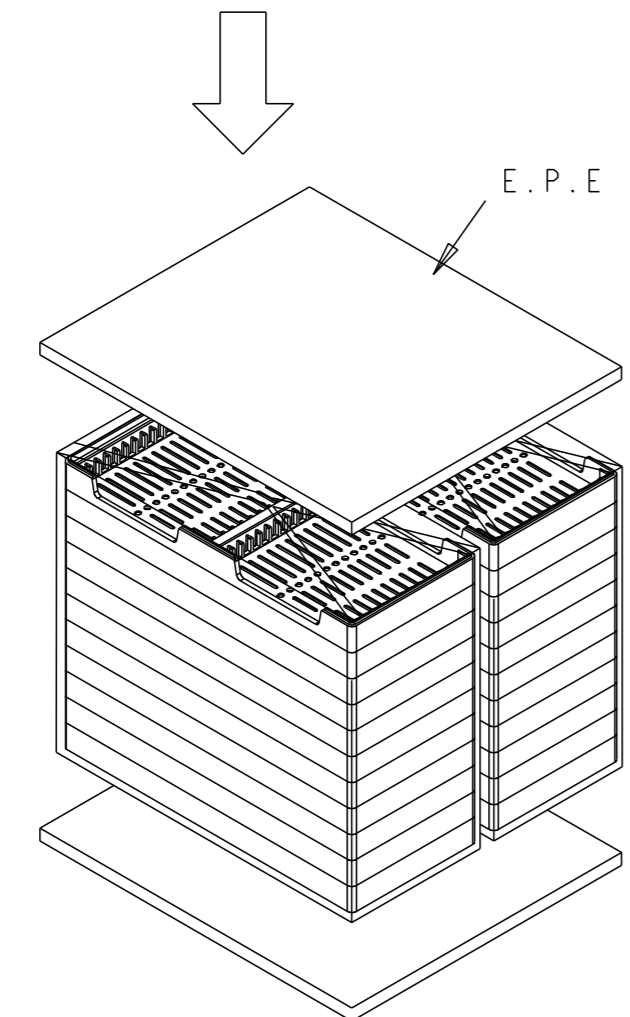
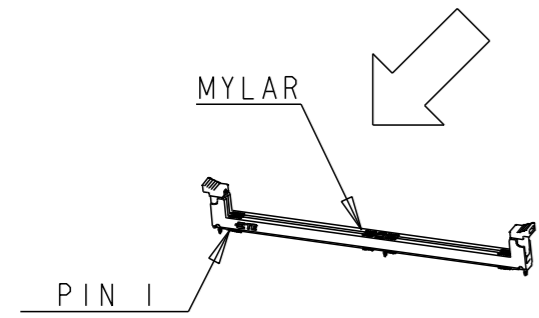
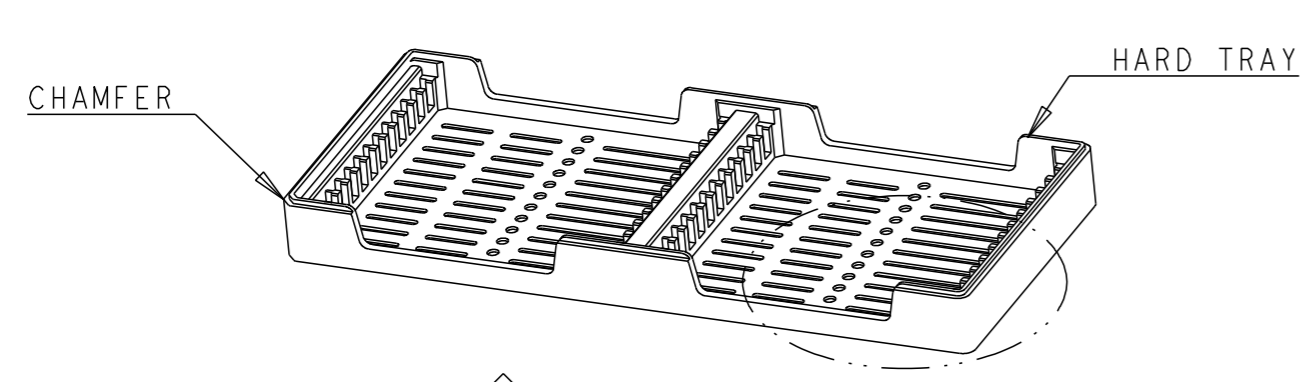
SOFT TRAY TYPE V

THIS DRAWING IS A CONTROLLED DOCUMENT.		DWN RICHARD MA 17JAN2014	TE Connectivity	
DIMENSIONS: mm		CHK SIMON LI 17JAN2014		
TOLERANCES UNLESS OTHERWISE SPECIFIED: 0 PLC ± 1 PLC ±0.25 2 PLC ±0.15 3 PLC ±0.10 4 PLC ± ANGLES ± FINISH		APVD COREI WANG 17JAN2014	NAME SOCKET ASSEMBLY DDR4 DIMM, SMT TYPE GENERAL 288 POSITION	
MATERIAL		PRODUCT SPEC 108-115068	SIZE A200779	CAGE CODE C-2199155
		APPLICATION SPEC -	DRAWING NO C-2199155	RESTRICTED TO
		WEIGHT -	SCALE 1:1 SHEET 13 OF 14 REV B8	
		RESTRICTED CUSTOMER		

Printed on 25 Nov 2021 16:33 (China Standard Time) from F0086959

THIS DRAWING IS UNPUBLISHED. RELEASED FOR PUBLICATION 20
 © COPYRIGHT 20 TE CONNECTIVITY ALL RIGHTS RESERVED.

LOC		DIST		REVISIONS			
P	LTR	DESCRIPTION	DATE	DWN	APVD		
-	-						



- MATERIALS :
 TRAY: HIPS, COLOR: BLACK
 BOX: CORRUGATED FIBERBOARD
 TRANSPARENT BAG: PE
- DIMENSIONS:
 TRAY: L=310;W=134;H=26
 BOX: L=340;W=300;H=310
- QUANTITY:
 24 PCS/TRAY
 480 PCS/BOX
- WEIGHT:
 NET WEIGHT: 2.6KG
 GROSS WEIGHT: 5.8KG

HARD TRAY TYPE VI

THIS DRAWING IS A CONTROLLED DOCUMENT.		DWN RICHARD MA 17JAN2014	STE TE Connectivity	
DIMENSIONS: mm		CHK SIMON LI 17JAN2014		
TOLERANCES UNLESS OTHERWISE SPECIFIED: 0 PLC ± 1 PLC ±0.25 2 PLC ±0.15 3 PLC ±0.10 4 PLC ± ANGLES ± FINISH		APVD COREL WANG 17JAN2014	NAME SOCKET ASSEMBLY DDR4 DIMM, SMT TYPE GENERAL 288 POSITION	
MATERIAL		PRODUCT SPEC 108-115068	SIZE A200779	CAGE CODE C-2199155
		APPLICATION SPEC	DRAWING NO	
		WEIGHT	RESTRICTED TO	
		RESTRICTED CUSTOMER	SCALE 1:1 SHEET 14 OF 14 REV B8	

Printed on 25 Nov 2021 16:33 (China Standard Time) from F0086959

Mouser Electronics

Authorized Distributor

Click to View Pricing, Inventory, Delivery & Lifecycle Information:

[TE Connectivity:](#)

[8-2199154-9](#)