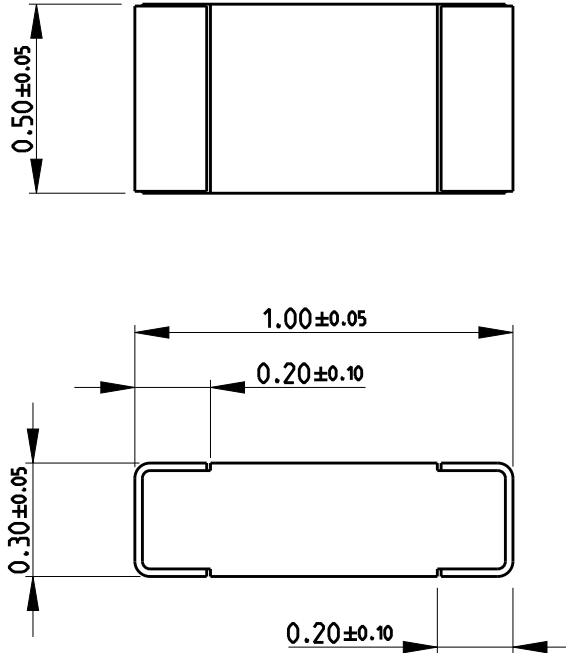
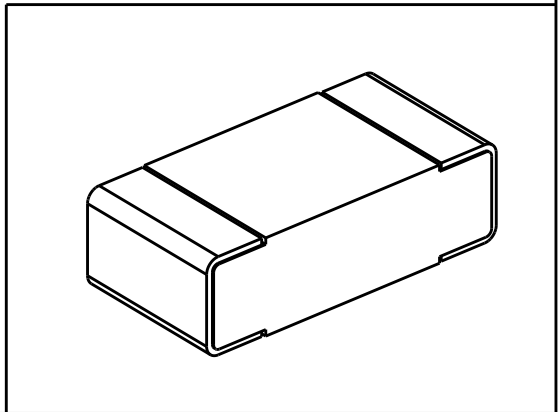


REVISIONS					
P	LTR	DESCRIPTION	DATE	DWN	APVD
	BA	NEW RELEASE	24APR2020	SB	AP

FOR FURTHER INFORMATION SEE DATA SHEET FOR CPF SERIES-THIN FILM PRECISION CHIP RESISTORS



RoHS Compliant



© 2020 TE Connectivity. All Rights Reserved.

DIMENSIONS: mm	DWN SHRICHARANA B	24APR2020	MATERIAL	-	FINISH	-
	CHK ALLAN.P	24APR2020				
TOLERANCES UNLESS OTHERWISE SPECIFIED:	APVD ALLAN.P	24APR2020				
	0 PLC ± 0.2	PRODUCT SPEC	-	NAME THIN FILM PRECISION CHIP RESISTORS		
1 PLC ± 0.1	APPLICATION SPEC	-	SERIES CPF 0402			
2 PLC \pm	WEIGHT	-	SIZE	CAGE CODE	DRAWING NO	RESTRICTED TO
3 PLC \pm			A 4	00779	C-2176455	-
4 PLC \pm			CUSTOMER DRAWING			SCALE 50:1
ANGLES $\pm 5^\circ$						SHEET 1 OF 1
						REV BA

Mouser Electronics

Authorized Distributor

Click to View Pricing, Inventory, Delivery & Lifecycle Information:

[TE Connectivity:](#)

[4-2176455-1](#)