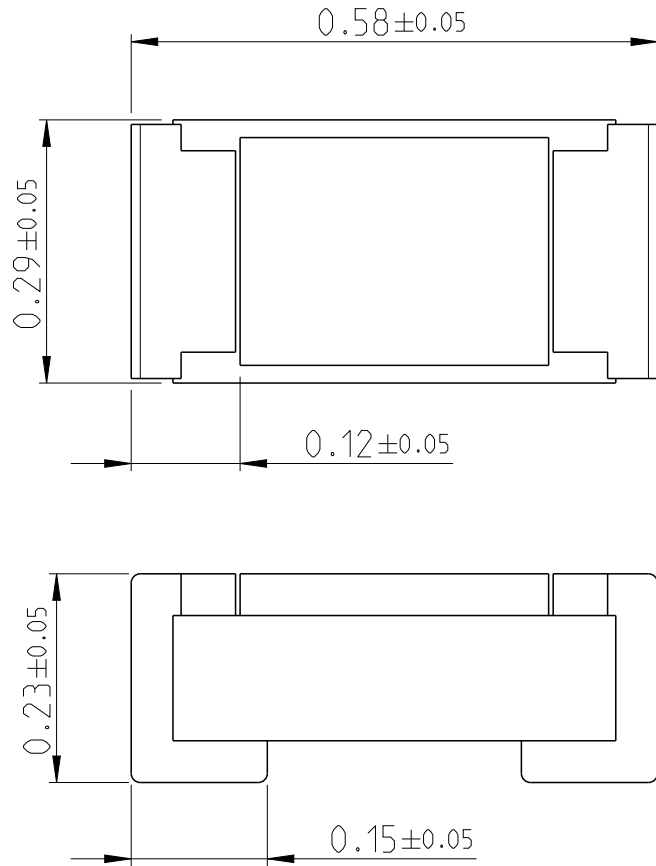
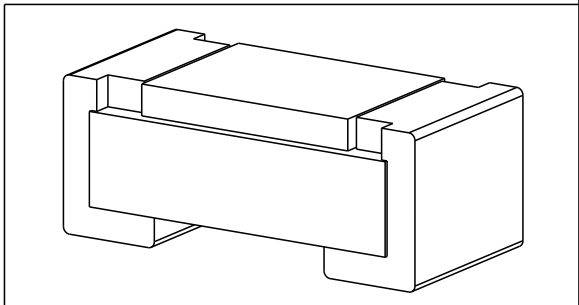


REVISIONS					
P	LTR	DESCRIPTION	DATE	DWN	APVD
	BA	NEW DRAWING	22APR2020	SB	AP



FOR FURTHER INFORMATION SEE DATA SHEET FOR PRECISION THIN FILM PRECISION RESISTORS- CPF SERIES

RoHS Compliant



© 2020 TE Connectivity. All Rights Reserved.

DIMENSIONS: mm		DWN SHRICHARANA B 22APR2020	MATERIAL	FINISH	
TOLERANCES UNLESS OTHERWISE SPECIFIED:		CHK ALLAN P 22APR2020			
		APVD ALLAN P 22APR2020			
0 PLC ±		PRODUCT SPEC	NAME THIN FILM PRECISION RESISTORS TYPE CPF 0201 SERIES		
1 PLC ±0.5		-			
2 PLC ±0.13		APPLICATION SPEC	SIZE	CAGE CODE	DRAWING NO
3 PLC ±0.013		-	A 4	00779	C=2176453
4 PLC ±0.0001			RESTRICTED TO		
ANGLES ±		WEIGHT 0.00014 Gram			
		CUSTOMER DRAWING		SCALE 40:1	SHEET 1 OF 1
				REV BA	

Mouser Electronics

Authorized Distributor

Click to View Pricing, Inventory, Delivery & Lifecycle Information:

[TE Connectivity:](#)

[2176453-1](#)