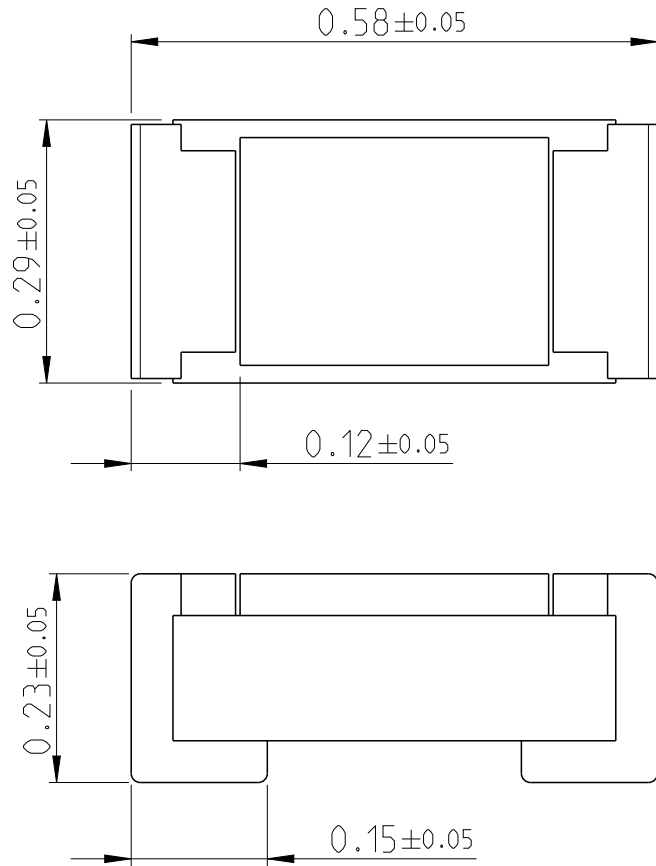
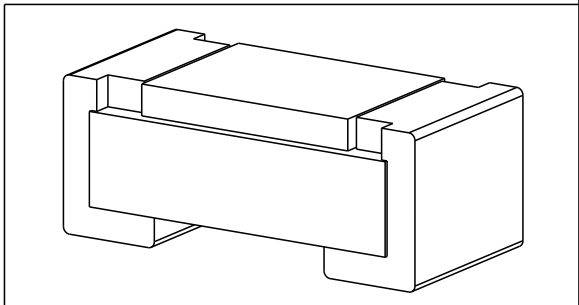


REVISIONS					
P	LTR	DESCRIPTION	DATE	DWN	APVD
	BA	NEW DRAWING	22APR2020	SB	AP


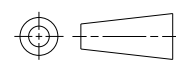


FOR FURTHER INFORMATION SEE DATA SHEET FOR PRECISION THIN FILM PRECISION RESISTORS- CPF SERIES

RoHS Compliant



© 2020 TE Connectivity. All Rights Reserved.

DIMENSIONS: mm	DWN	SHRICHARANA B	22APR2020	MATERIAL	-	FINISH	-
	CHK	ALLAN P	22APR2020	 TE Connectivity			
TOLERANCES UNLESS OTHERWISE SPECIFIED:	APVD	ALLAN P	22APR2020				
	PRODUCT SPEC	-	-	SIZE	CAGE CODE	DRAWING NO	RESTRICTED TO
	APPLICATION SPEC	-	-	A 4	00779	C=2176453	
0 PLC ± 1 PLC ±0.5 2 PLC ±0.13 3 PLC ±0.013 4 PLC ±0.0001 ANGLES ±	WEIGHT	0.00014 Gram		SCALE	40:1	SHEET	1 OF 1
	CUSTOMER DRAWING			REV	BA		

Mouser Electronics

Authorized Distributor

Click to View Pricing, Inventory, Delivery & Lifecycle Information:

[TE Connectivity:](#)

[6-2176453-7](#)