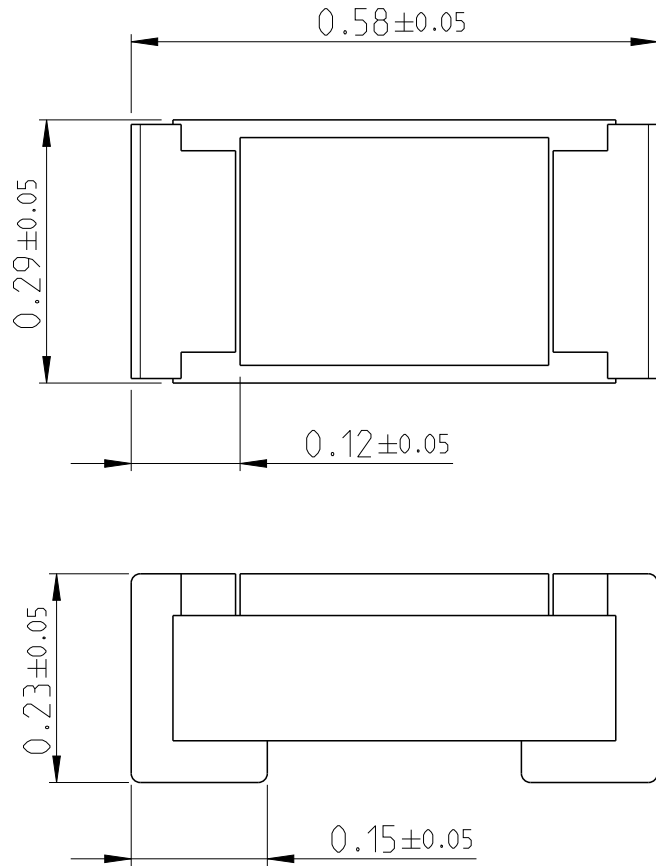
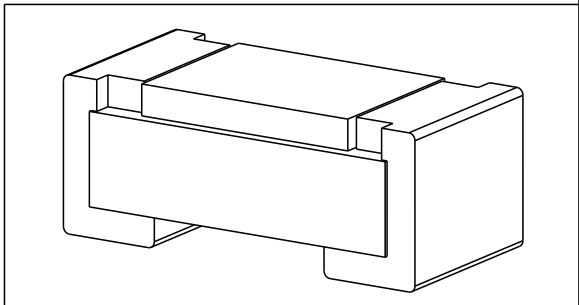


| REVISIONS |     |             |           |     |      |
|-----------|-----|-------------|-----------|-----|------|
| P         | LTR | DESCRIPTION | DATE      | DWN | APVD |
|           | BA  | NEW DRAWING | 22APR2020 | SB  | AP   |
|           |     |             |           |     |      |
|           |     |             |           |     |      |



FOR FURTHER INFORMATION SEE DATA SHEET FOR PRECISION THIN FILM PRECISION RESISTORS- CPF SERIES

RoHS Compliant



© 2020 TE Connectivity. All Rights Reserved.

|  |                  |                  |              |            |  |           |               |
|--|------------------|------------------|--------------|------------|--|-----------|---------------|
| DIMENSIONS:<br>mm                      | DWN              | SHRICHARANA B    | 22APR2020    | MATERIAL   | -  | FINISH    | -             |
|  | CHK              | ALLAN P          | 22APR2020    |            |  |           |               |
| TOLERANCES UNLESS OTHERWISE SPECIFIED: | APVD             | ALLAN P          | 22APR2020    |            |  |           |               |
|  | 0 PLC            | ±                | PRODUCT SPEC | -          | NAME THIN FILM PRECISION RESISTORS<br>TYPE CPF 0201 SERIES |           |               |
| 1 PLC                                  | ±0.5             | APPLICATION SPEC | -            | SIZE       | A 4  | CAGE CODE | 00779         |
| 2 PLC                                  | ±0.13            |                  |              | DRAWING NO | C=2176453  |           | RESTRICTED TO |
| 3 PLC                                  | ±0.013           |                  |              |            |  |           |               |
| 4 PLC                                  | ±0.0001          |                  |              |            |  |           |               |
| ANGLES                                 | ±                |                  |              |            |  |           |               |
|  | WEIGHT           | 0.00014 Gram     |              | SCALE      | 40:1   | SHEET     | 1 OF 1        |
|  | CUSTOMER DRAWING |                  |              |            |  |           | REV           |

# Mouser Electronics

Authorized Distributor

Click to View Pricing, Inventory, Delivery & Lifecycle Information:

[TE Connectivity:](#)

[4-2176453-0](#)