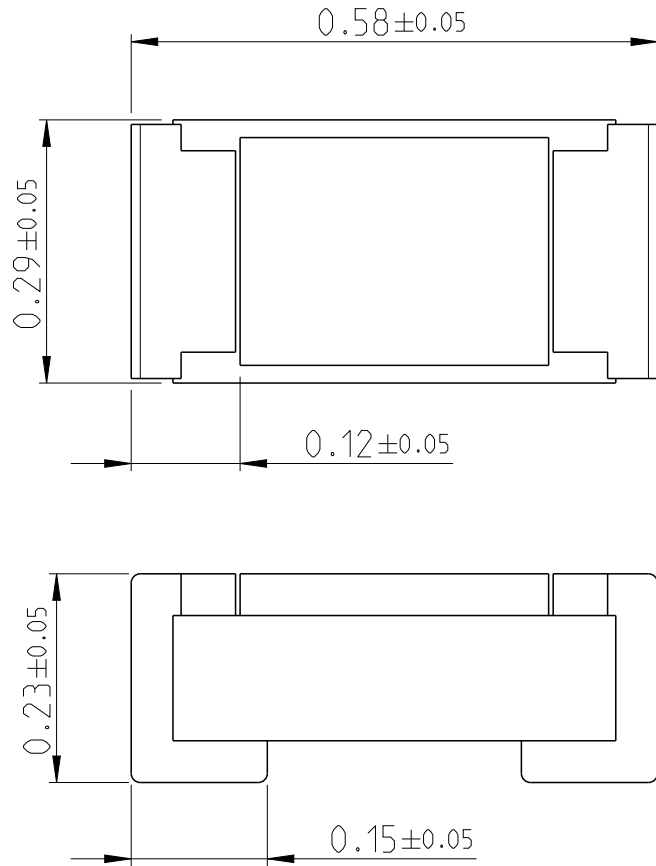
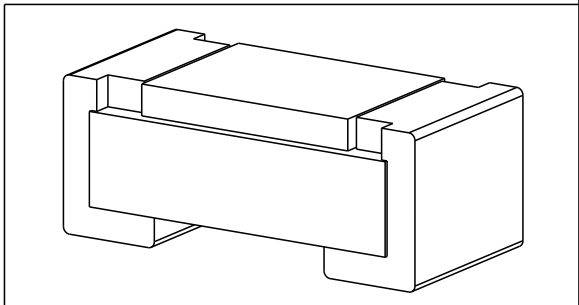


REVISIONS					
P	LTR	DESCRIPTION	DATE	DWN	APVD
	BA	NEW DRAWING	22APR2020	SB	AP



FOR FURTHER INFORMATION SEE DATA SHEET FOR PRECISION THIN FILM PRECISION RESISTORS- CPF SERIES

RoHS Compliant



© 2020 TE Connectivity. All Rights Reserved.

DIMENSIONS: mm	DWN	SHRICHARANA B	22APR2020	MATERIAL	-	FINISH	-	
	CHK	ALLAN P	22APR2020					
TOLERANCES UNLESS OTHERWISE SPECIFIED:	APVD	ALLAN P	22APR2020					
	0 PLC	±	PRODUCT SPEC	-	NAME THIN FILM PRECISION RESISTORS TYPE CPF 0201 SERIES			
1 PLC	±0.5	APPLICATION SPEC	-	SIZE	A 4	CAGE CODE	00779	
2 PLC	±0.13	WEIGHT	0.00014 Gram	DRAWING NO	C=2176453		RESTRICTED TO	
3 PLC	±0.013							
4 PLC	±0.0001							
ANGLES	±							
		CUSTOMER DRAWING		SCALE	40:1	SHEET	1 OF 1	
							REV	BA

Mouser Electronics

Authorized Distributor

Click to View Pricing, Inventory, Delivery & Lifecycle Information:

[TE Connectivity:](#)

[2-2176453-0](#)