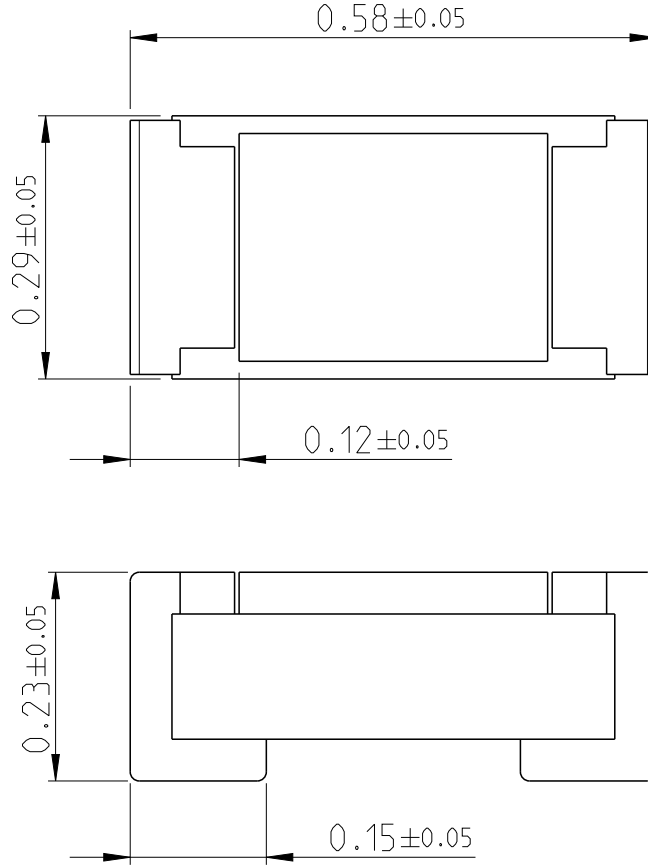
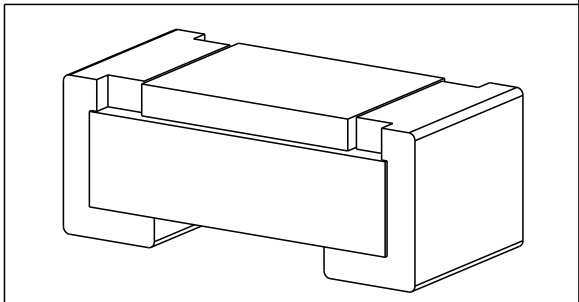


REVISIONS					
P	LTR	DESCRIPTION	DATE	DWN	APVD
	BA	NEW DRAWING	22APR2020	SB	AP



FOR FURTHER INFORMATION SEE DATA SHEET FOR PRECISION THIN FILM PRECISION RESISTORS- CPF SERIES

RoHS Compliant



© 2020 TE Connectivity. All Rights Reserved.

DIMENSIONS: mm	DWN SHRICHARANA B	22APR2020	MATERIAL	-	FINISH	-	
	CHK ALLAN P	22APR2020					
TOLERANCES UNLESS OTHERWISE SPECIFIED:	APVD ALLAN P	22APR2020					
	0 PLC ±	PRODUCT SPEC	-	NAME THIN FILM PRECISION RESISTORS TYPE CPF 0201 SERIES			
1 PLC ±0.5	APPLICATION SPEC	-	SIZE	CAGE CODE	DRAWING NO	RESTRICTED TO	
2 PLC ±0.13			A 4	00779	©=2176452		
3 PLC ±0.013							
4 PLC ±0.0001							
ANGLES ±							
	WEIGHT	0.00014 Gram	CUSTOMER DRAWING				
			SCALE	40:1	SHEET	1 OF 1	REV

Mouser Electronics

Authorized Distributor

Click to View Pricing, Inventory, Delivery & Lifecycle Information:

[TE Connectivity:](#)

[3-2176452-8](#)