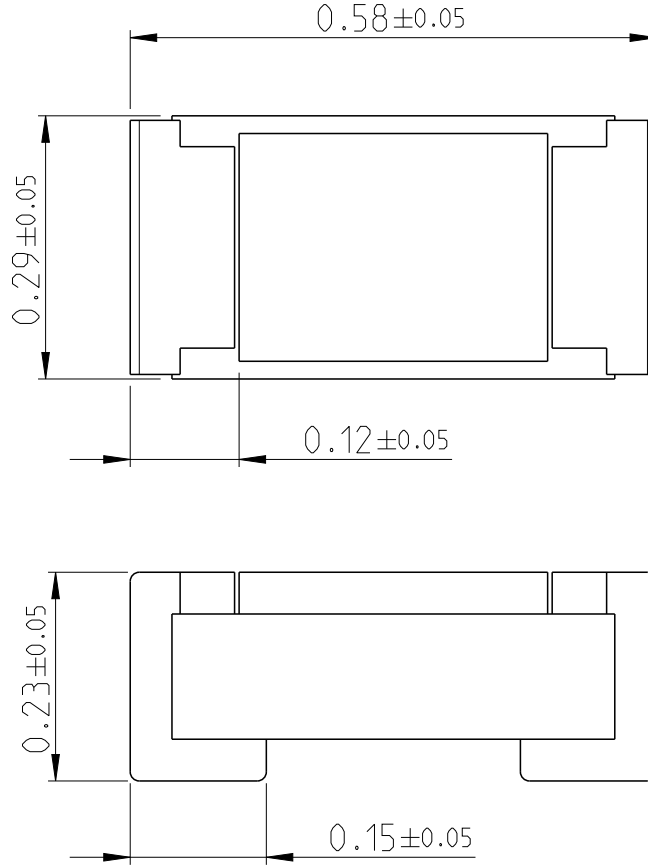
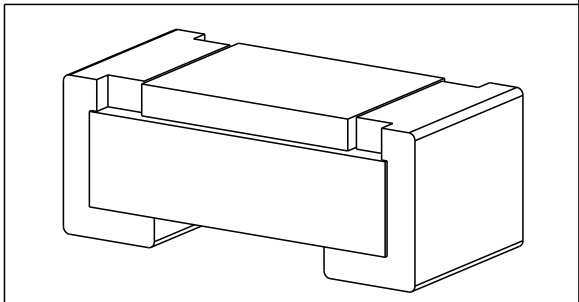


REVISIONS					
P	LTR	DESCRIPTION	DATE	DWN	APVD
	BA	NEW DRAWING	22APR2020	SB	AP



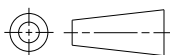
FOR FURTHER INFORMATION SEE DATA SHEET FOR PRECISION THIN FILM PRECISION RESISTORS- CPF SERIES

RoHS Compliant



© 2020 TE Connectivity. All Rights Reserved.

DIMENSIONS: mm	DWN SHRICHARANA B	22APR2020	MATERIAL	-	FINISH	-
	CHK ALLAN P	22APR2020				
TOLERANCES UNLESS OTHERWISE SPECIFIED:	APVD ALLAN P	22APR2020				
	0 PLC ±	PRODUCT SPEC	NAME	THIN FILM PRECISION RESISTORS TYPE CPF 0201 SERIES		
1 PLC ±0.5	-	APPLICATION SPEC	SIZE	CAGE CODE	DRAWING NO	RESTRICTED TO
2 PLC ±0.13	-	-	A 4	00779	©=2176452	
3 PLC ±0.013	WEIGHT	0.00014 Gram	CUSTOMER DRAWING			
4 PLC ±0.0001			SCALE	40:1	SHEET	1 OF 1
ANGLES ±					REV	BA



Mouser Electronics

Authorized Distributor

Click to View Pricing, Inventory, Delivery & Lifecycle Information:

[TE Connectivity:](#)

[2-2176452-3](#)