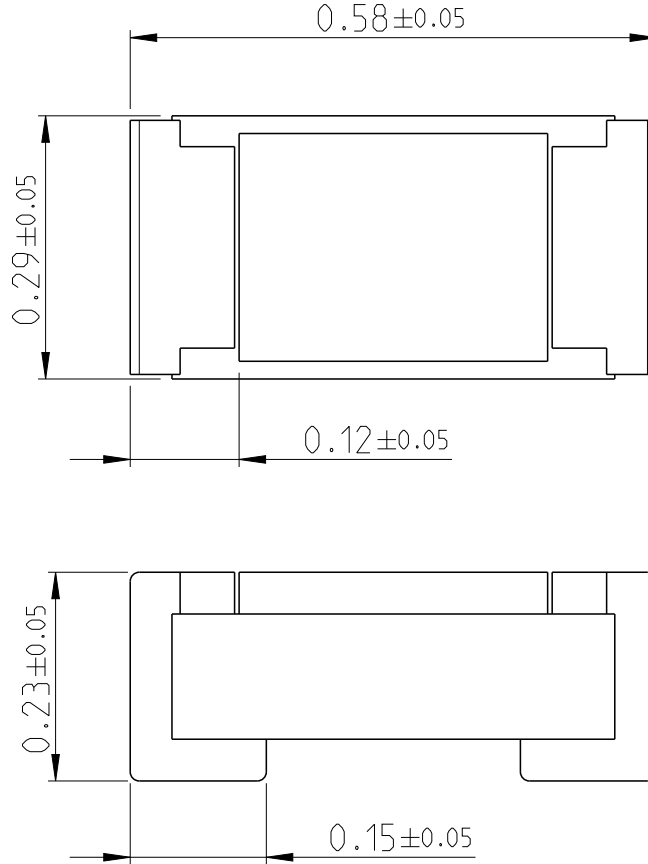
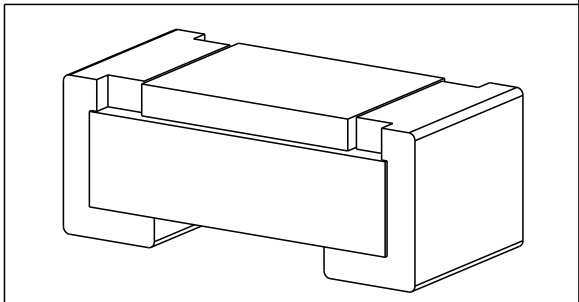


| REVISIONS | | | | | |
|-----------|-----|-------------|-----------|-----|------|
| P | LTR | DESCRIPTION | DATE | DWN | APVD |
| | BA | NEW DRAWING | 22APR2020 | SB | AP |
| | | | | | |
| | | | | | |






FOR FURTHER INFORMATION SEE DATA SHEET FOR PRECISION THIN FILM PRECISION RESISTORS- CPF SERIES

RoHS Compliant



© 2020 TE Connectivity. All Rights Reserved.

| | | | | | | |
|---|----------------------|------------------|--|-----------|------------|---------------|
| DIMENSIONS: mm | DWN SHRICHARANA B | 22APR2020 | MATERIAL | - | FINISH | - |
| | CHK ALLAN P | 22APR2020 |  TE Connectivity | | | |
| TOLERANCES UNLESS OTHERWISE SPECIFIED: | APVD ALLAN P | 22APR2020 | | | | |
| | 0 PLC ± | PRODUCT SPEC | NAME THIN FILM PRECISION RESISTORS | | | |
| 1 PLC ±0.5 | - | APPLICATION SPEC | TYPE CPF 0201 SERIES | | | |
| 2 PLC ±0.13 | - | - | SIZE | CAGE CODE | DRAWING NO | RESTRICTED TO |
| 3 PLC ±0.013 | - | - | A 4 | 00779 | ©=2176452 | |
| 4 PLC ±0.0001 | WEIGHT | 0.00014 Gram | | | | |
| ANGLES ± | CUSTOMER DRAWING | | SCALE | 40:1 | SHEET | 1 OF 1 |
|   | | | REV BA | | | |

Mouser Electronics

Authorized Distributor

Click to View Pricing, Inventory, Delivery & Lifecycle Information:

[TE Connectivity:](#)

[2176452-9](#)