

THIS DRAWING IS UNPUBLISHED.

RELEASED FOR PUBLICATION

ALL RIGHTS RESERVED.

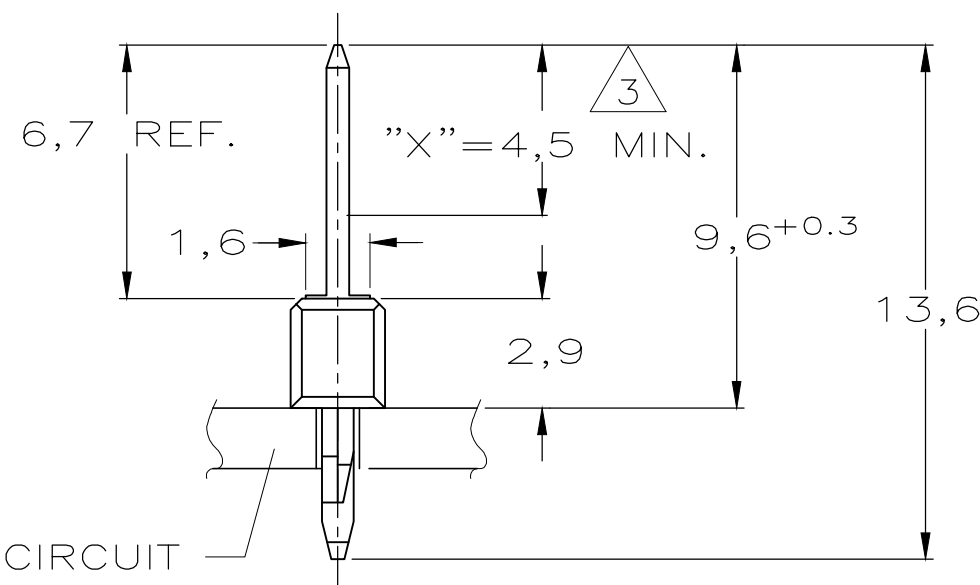
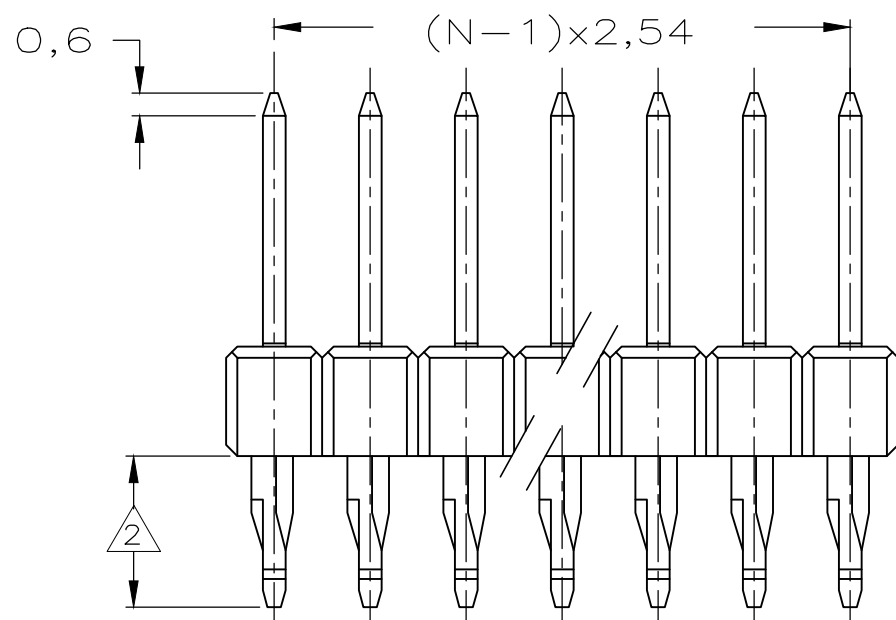
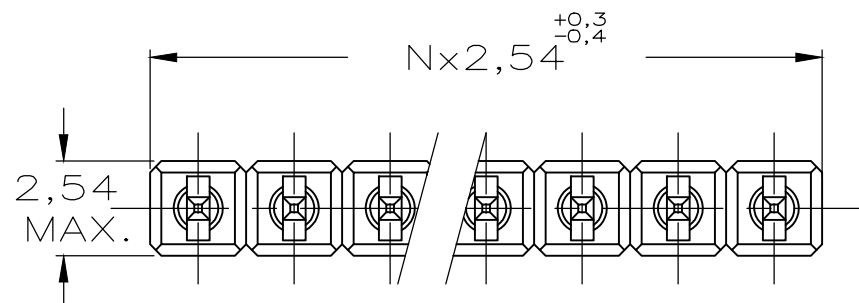
© COPYRIGHT - By -

REVISIONS

P	LTR	DESCRIPTION	DATE	DWN	APVD
	B4	Tolerance on Dim Nx2.54 corrected	04FEB2020	KJK	PS

NOTES:

- 1 HOUSING-MATERIAL:20% GLASSFILLED POLYESTER (GREEN). CONTACT-MATERIAL:PHOSPHOR BRONZE.
- 2 ACTION-PIN SUITABLE FOR 1,6mm P.C.-BOARD-THICKNESS.
- 3 PLATING: AREA "X" Au-PLATED 0,76µm-THICKNESS. ACTION-PIN AREA: Sn-PLATED 1,27µm-THICKNESS. UNDER COATING:1,27µm Ni. ALL OVER.
- 4 TO DETERMINE DIMENSIONS TAKE N = Nr. OF POS. FOR EXAMPLE: 10 POS.=Nx2,54=25,40mm. FOR ORDER NR.:USE BASIC NR. + NR. OF POS. FOR EXAMPLE: 36 POS.= 3-215267-6 OBSOLETE
- 5 MAX. PERMISSIBLE BURR AFTER CHOPPING 0,2mm.
- 6 OBSOLETE PARTS: OBSOLETE CIS STREAMLINING PER D.RENAUD/D.SINISI



PRINTED CIRCUIT BOARD

P.C.B. HOLE DIM. ACTION PIN

DRILLED HOLE	:1,15 ±0,025 mm
FIN. HOLE	:0,94 to 1,09 mm
AFTER REFLOW	:0,91 to 1,09 mm
Cu-thks	:0,025 to 0,075 mm
Sn-thks	:0,004 to 0,010 mm

THIS DRAWING IS A CONTROLLED DOCUMENT.

DIMENSIONS:	TOLERANCES UNLESS OTHERWISE SPECIFIED:
mm	±0,1
0 PLC	± -
1 PLC	± -
2 PLC	± -
3 PLC	± -
4 PLC	± -
ANGLES	± -
MATERIAL	FINISH
SEE NOTES	-

DWN	J.v.LIEMPT	7 MAY 97
CHK	R.BROENS	-
APVD	E.LEIJTENS	-
PRODUCT SPEC	-	-
APPLICATION SPEC	-	-
WEIGHT	-	-
CUSTOMER DRAWING		



40 POS. MOD II PIN HEADER 2,54 PITCH WITH ACTION-PIN, SINGLE ROW

SIZE	CAGE CODE	DRAWING NO	RESTRICTED TO
A3	00779	C=215267	-
SCALE	5:1	SHEET	1 OF 1
REV	B4		

Mouser Electronics

Authorized Distributor

Click to View Pricing, Inventory, Delivery & Lifecycle Information:

[TE Connectivity:](#)

[2215267-1](#)