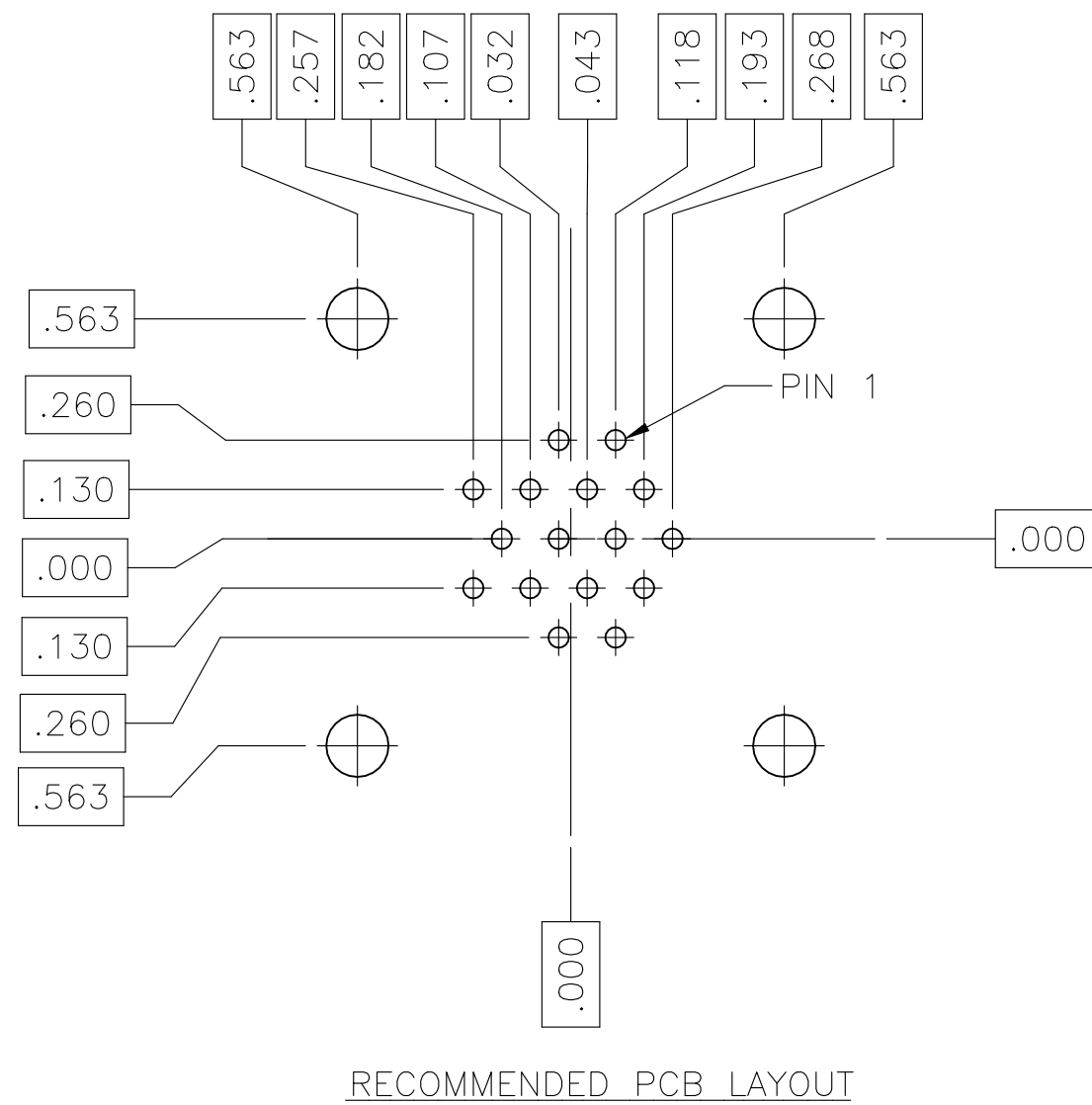
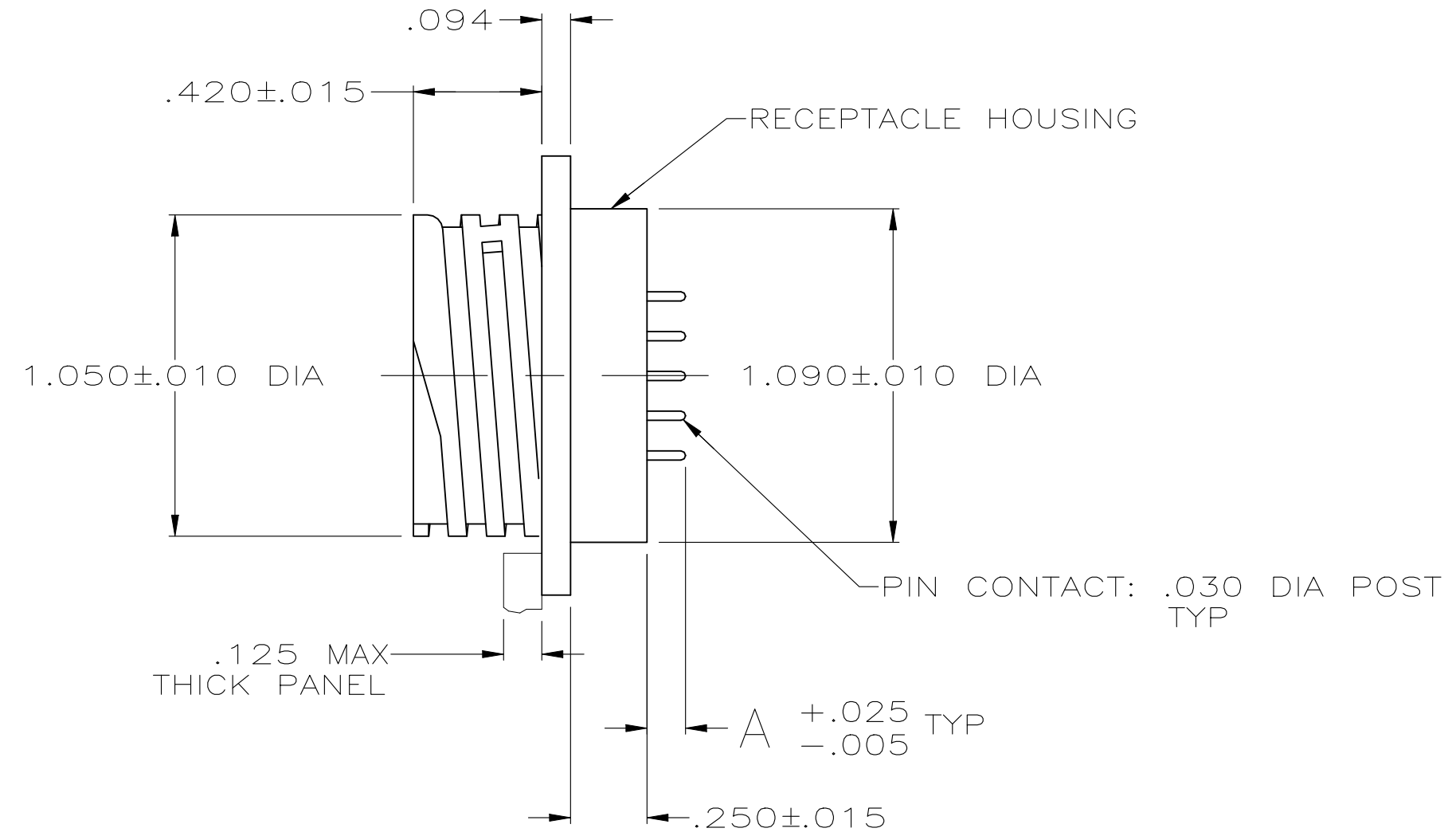
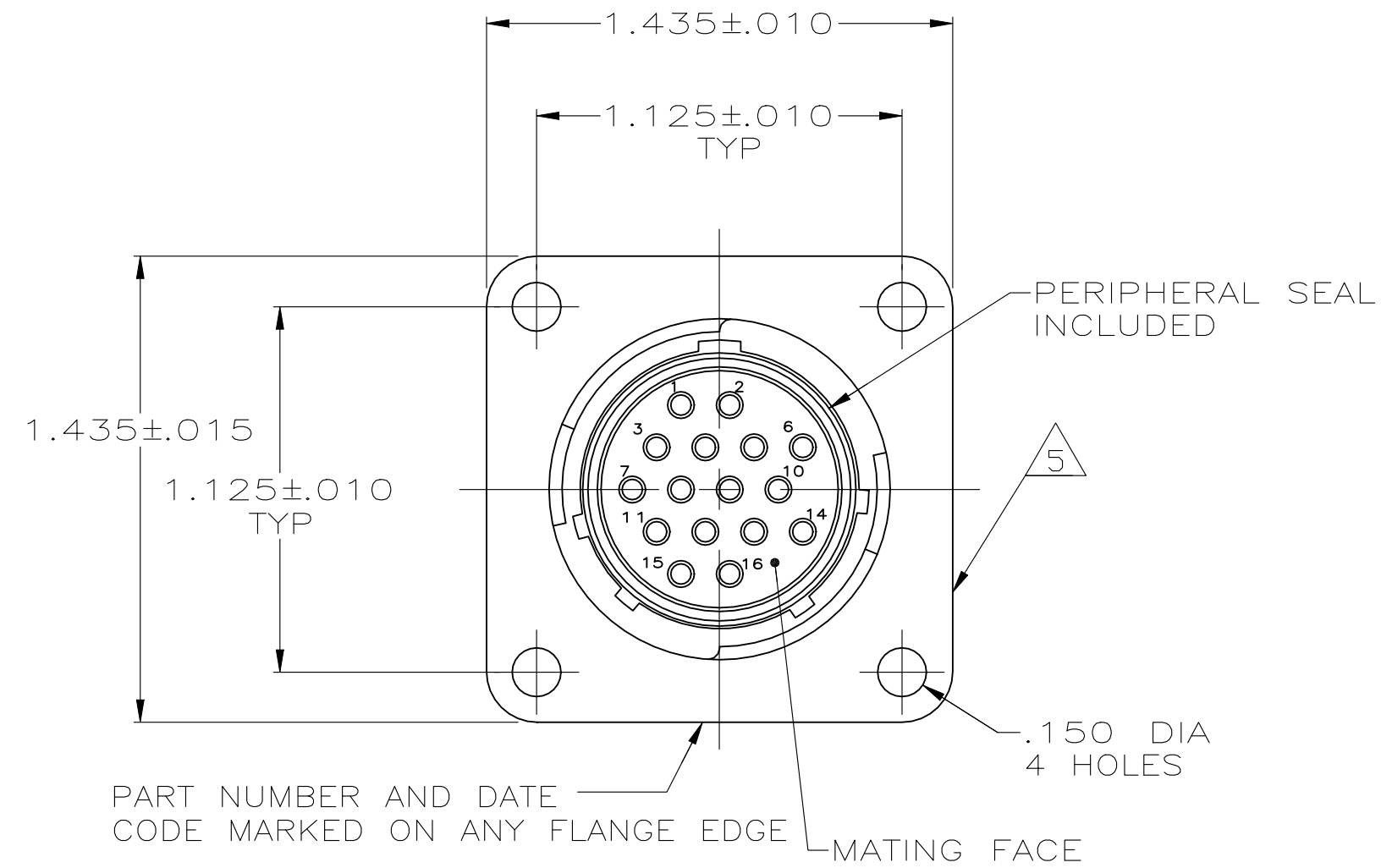


REVISIONS					
P	LTR	DESCRIPTION	DATE	DWN	APVD
K		REVISED PER ECO-21-006948	27OCT2021	RK	MZ



- ① NYLON, UL 94V-0 RATED, BLACK.
- ② BRASS.
- ③ .000100 MIN TIN PER MIL-T-10727 OVER NICKEL FLASH PER QQ-N-290.
- ④ .000030 MIN GOLD PER MIL-G-45204 OVER .000030 MIN NICKEL PER QQ-N-290.

⑤ TE LOGO MARKED ON ANY FLANGE EDGE

OBSOLETE	.175	④	207292-4
	.175	③	207292-3
	.125	④	207292-2
	.125	③	207292-1
A		FINISH	PART NUMBER

THIS DRAWING IS A CONTROLLED DOCUMENT.		DWN J GALLUCCI BG 5-22-91	TE Connectivity	
DIMENSIONS: INCHES		CHK R.STONE 3-4-92	POSTED RECEPTACLE ASSEMBLY, STD SEX, SERIES 1, 17-16, CPC	
TOLERANCES UNLESS OTHERWISE SPECIFIED:		APVD -	NAME	
0 PLC ± -		PRODUCT SPEC -	SIZE	
1 PLC ± -		APPLICATION SPEC -	CAGE CODE	
2 PLC ± -		WEIGHT -	DRAWING NO	
3 PLC ± .005		CUSTOMER DRAWING	RESTRICTED TO	
4 PLC ± -		SCALE 2:1	SHEET 1 OF 1	
ANGLES ± -		REV K		
MATERIAL RECEPT HOUSING: ① PIN CONTACT: ②		FINISH PIN CONTACT: SEE TABLE	A2 00779 C=207292	

Mouser Electronics

Authorized Distributor

Click to View Pricing, Inventory, Delivery & Lifecycle Information:

[TE Connectivity:](#)

[207292-3](#)