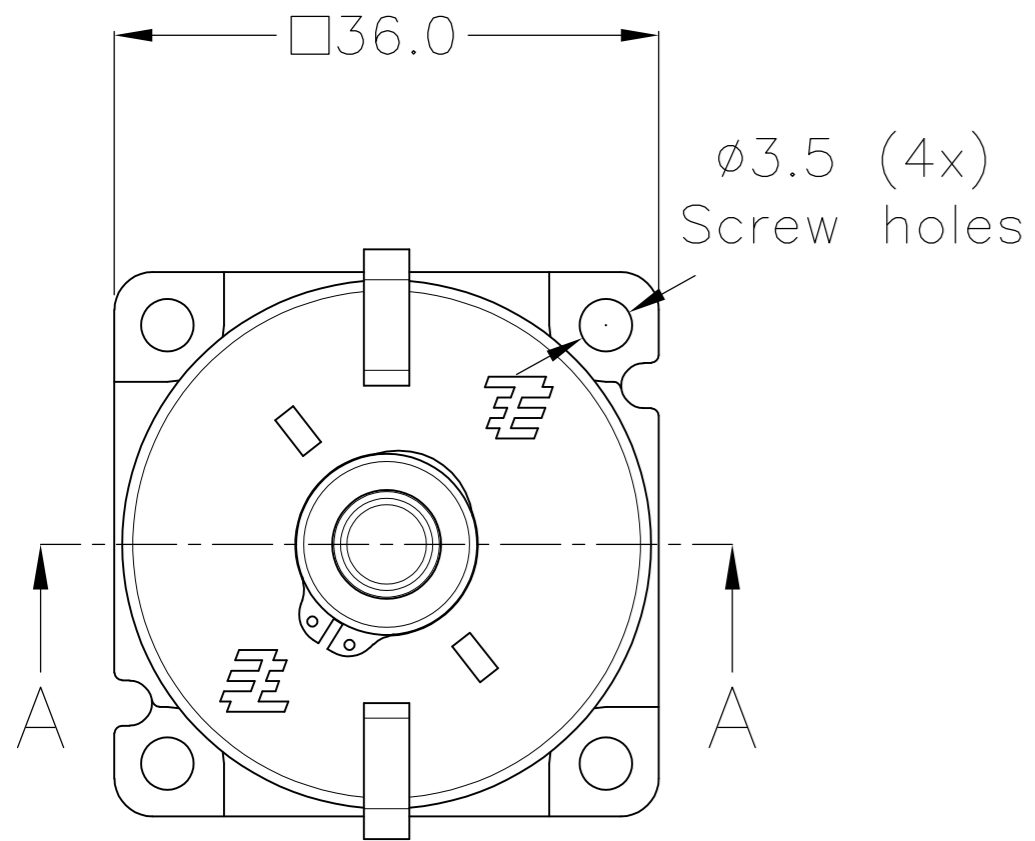
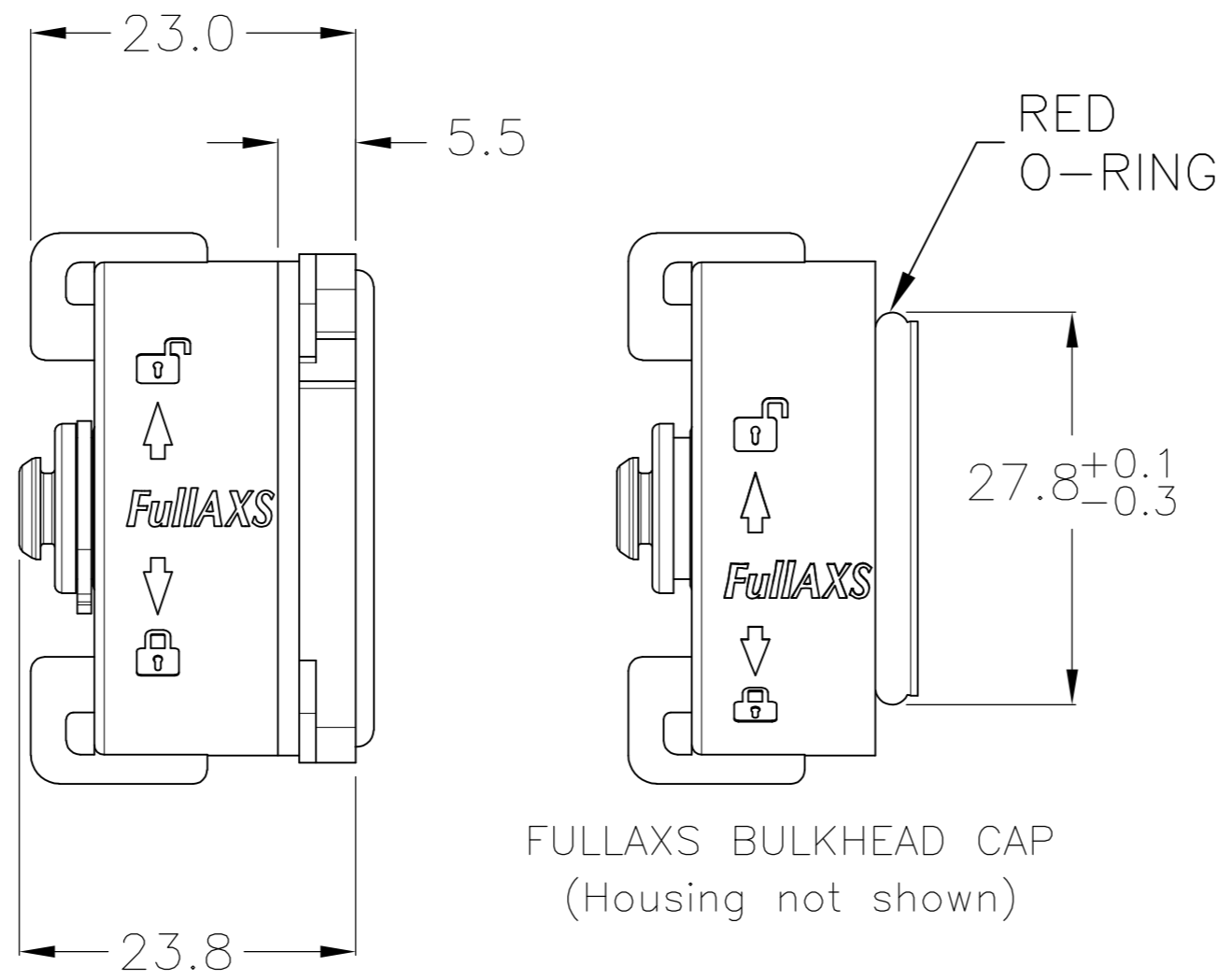


THIS DRAWING IS UNPUBLISHED. RELEASED FOR PUBLICATION  
 © COPYRIGHT - By - ALL RIGHTS RESERVED.

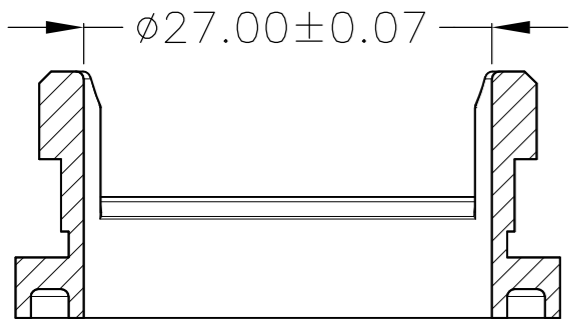
LOC		DIST		REVISIONS			
P	LTR	DESCRIPTION	DATE	DWN	APVD		
H	-						
A		INITIAL RELEASE	17DEC2013	RC	EVS		



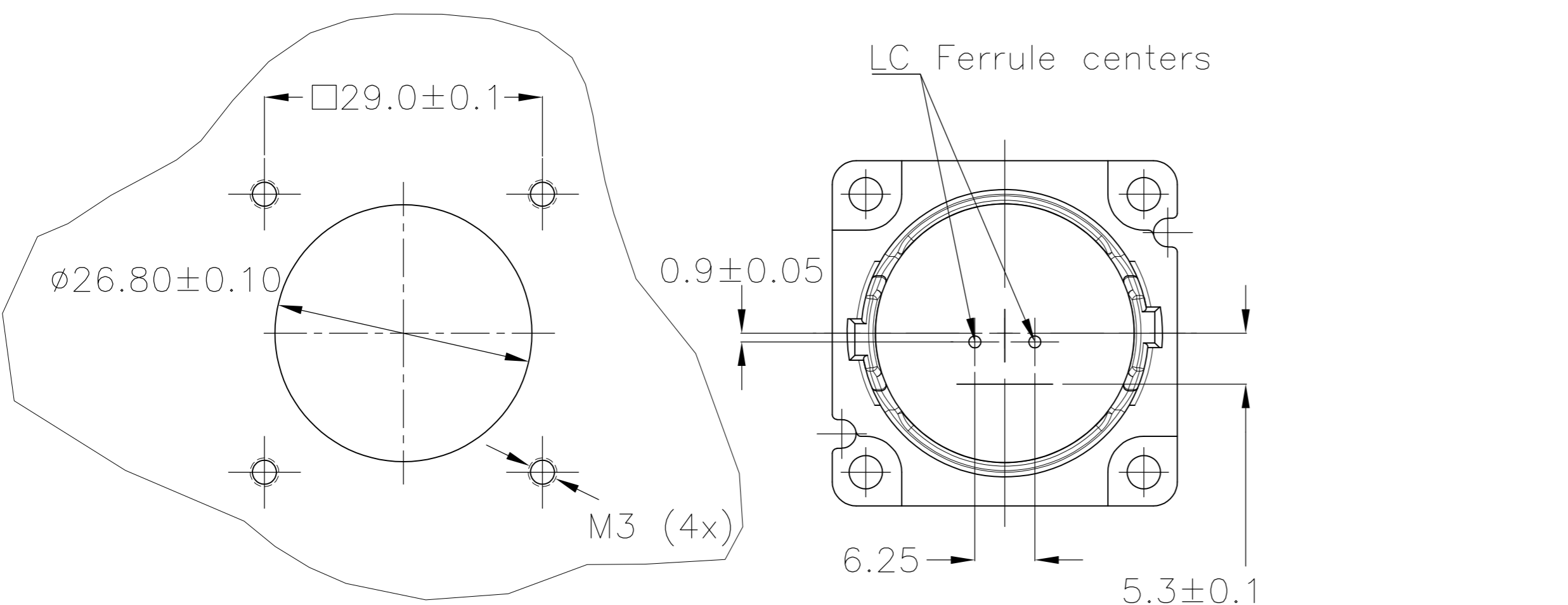
ASSEMBLED 2061843-1  
(cord not shown)



FULLAXS BULKHEAD CAP  
(Housing not shown)

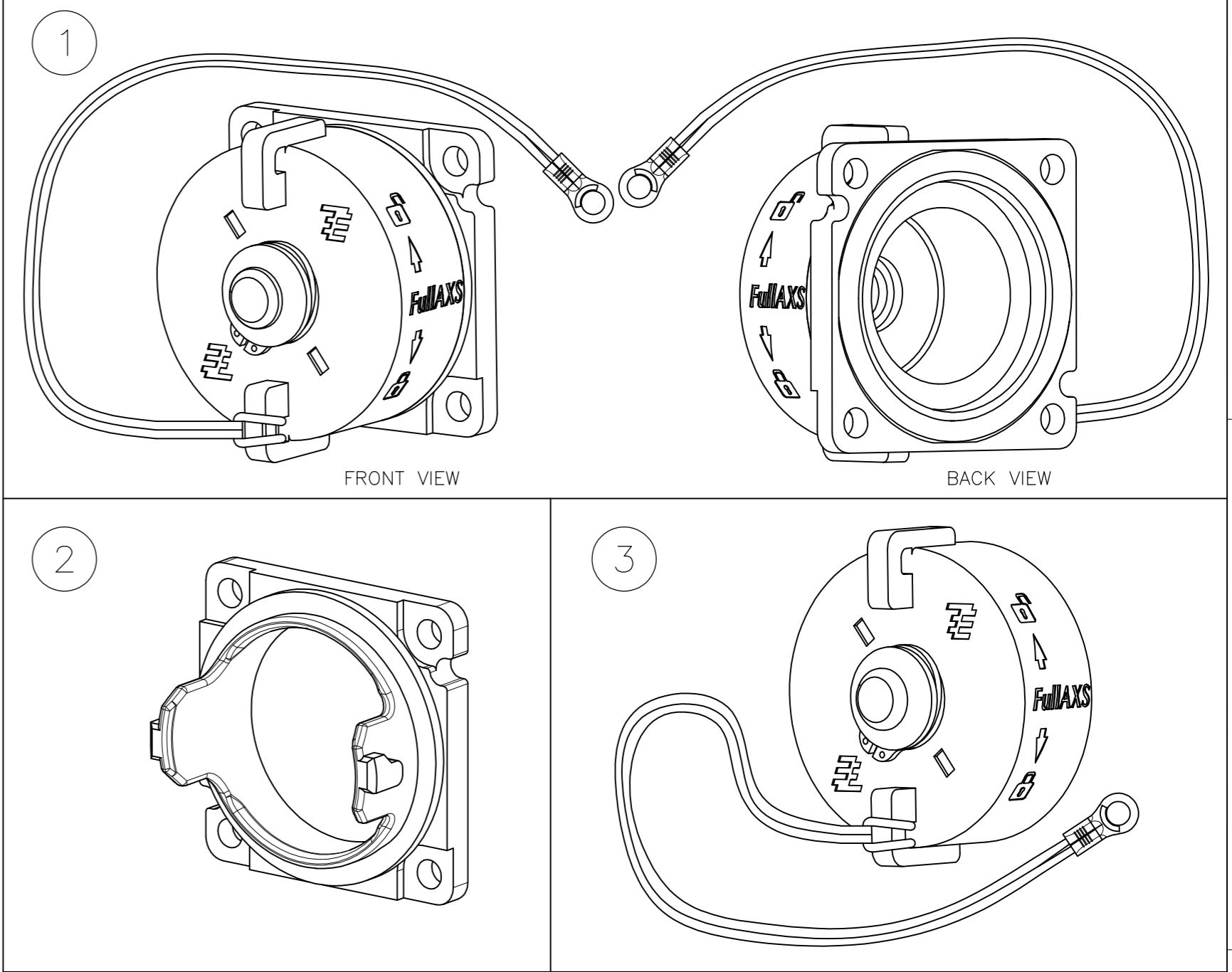


SECTION A-A  
(Cap not shown)



Recommended panel cutout  
for the assembly and housing

5.3 ± 0.1  
Center of bulkhead  
adapter to top of PCB.



NOTE:

SHOWN DIMENSIONS ARE FOR REFERENCE ONLY

ITEM	TE PART NUMBER	DESCRIPTION
1	2061843-1	FOKIT FULLAXS BULKHEAD ASSEMBLY, IP67
2	2061843-2	FOAC FULLAXS BULKHEAD HOUSING
3	2061843-3	FOAC FULLAXS BULKHEAD CAP, IP67

THIS DRAWING IS A CONTROLLED DOCUMENT.		DWN R. COOLEN 17DEC2013	<b>TE</b> TE Connectivity	
DIMENSIONS: mm		CHK A. HENGELMOLEN 17DEC2013		
TOLERANCES UNLESS OTHERWISE SPECIFIED:		APVD E. VERVOORT-SERVENS 17DEC2013	NAME	
0 PLC ± -		PRODUCT SPEC	FOKIT FULLAXS BULKHEAD ASSEMBLY, IP67	
1 PLC ± -		APPLICATION SPEC	SIZE A2	CAGE CODE 00779
2 PLC ± -		WEIGHT -	DRAWING NO C=2061843	RESTRICTED TO -
3 PLC ± -		CUSTOMER DRAWING	SCALE NTS	SHEET 1 OF 1
4 PLC ± -				REV A
ANGLES ± -				
FINISH -				

# Mouser Electronics

Authorized Distributor

Click to View Pricing, Inventory, Delivery & Lifecycle Information:

[TE Connectivity:](#)

[2061843-2](#)