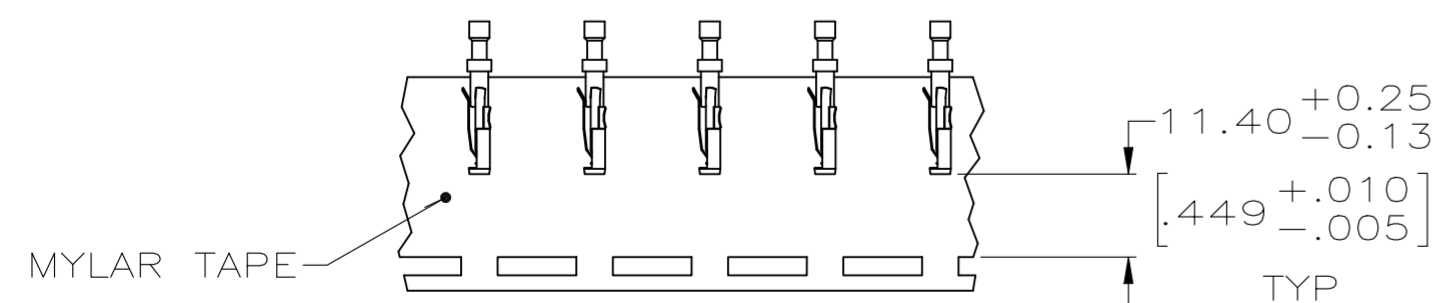
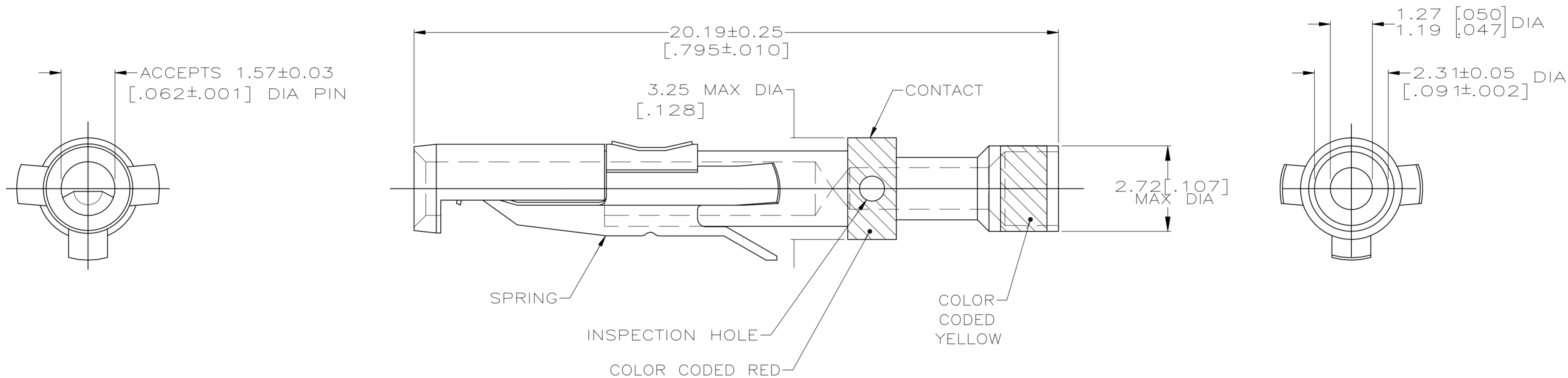


REVISIONS					
P	LTR	DESCRIPTION	DATE	DWN	APVD
	AG	ECO-21-006909	17SEP2021	RK	ZM

WHEN ORDERING CONTACT ASSEMBLY ON TAPE, ORDER BY THE TAPE NUMBER PLUS THE PACKAGING CODE AS FOLLOWS:

1. FOR USE WITH AMP TAPETRONIC, PNEUMATIC TOOL-
A. 1000 PARTS TO A BOX ADD PACKAGING CODE: 1MBOX
2. FOR USE WITH 4/8 INDENT STRIPPER CRIMPER-
A. 1000 PARTS TO A REEL ADD PACKAGING CODE: 1MREEL
B. 5000 PARTS TO A REEL ADD PACKAGING CODE: 5MREEL



TAPE MTG DETAIL
SCALE 1:1

OBSOLETE	SMALL PACK KIT	1-201328-5 1-201328-4
OBSOLETE	TAPE MTG SEE DETAIL	201328-9
	BULK PACKAGING	201328-1 PART NO

THIS DRAWING IS A CONTROLLED DOCUMENT.		DWN	5-9-91		
		CHK	5-14-91		
		APVD	5-14-91		
		PRODUCT SPEC			
DIMENSIONS: mm [INCHES]		TOLERANCES UNLESS OTHERWISE SPECIFIED:		NAME	
0 PLC ± -		1 PLC ± -		SOCKET CONTACT ASSEMBLY, TYPE II	
2 PLC ± -		3 PLC ± -		-	
3 PLC ± -		4 PLC ± -		SIZE	
4 PLC ± -		ANGLES ± -		CAGE CODE	
MATERIAL		FINISH		DRAWING NO	
-		-		A2 00779 C=201328	
		WEIGHT		RESTRICTED TO	
		-		-	
		CUSTOMER DRAWING		SCALE 10:1 SHEET 1 of 1 REV AG	

Mouser Electronics

Authorized Distributor

Click to View Pricing, Inventory, Delivery & Lifecycle Information:

[TE Connectivity:](#)

[201328-9](#)