

REVISIONS					
P	LTR	DESCRIPTION	DATE	DWN	APVD
A		REVISED PER ECR-09-006557	25MAR2009	HMR	DD
AI		REVISED PER ECR-21-003871	15APR2021	SR	JL

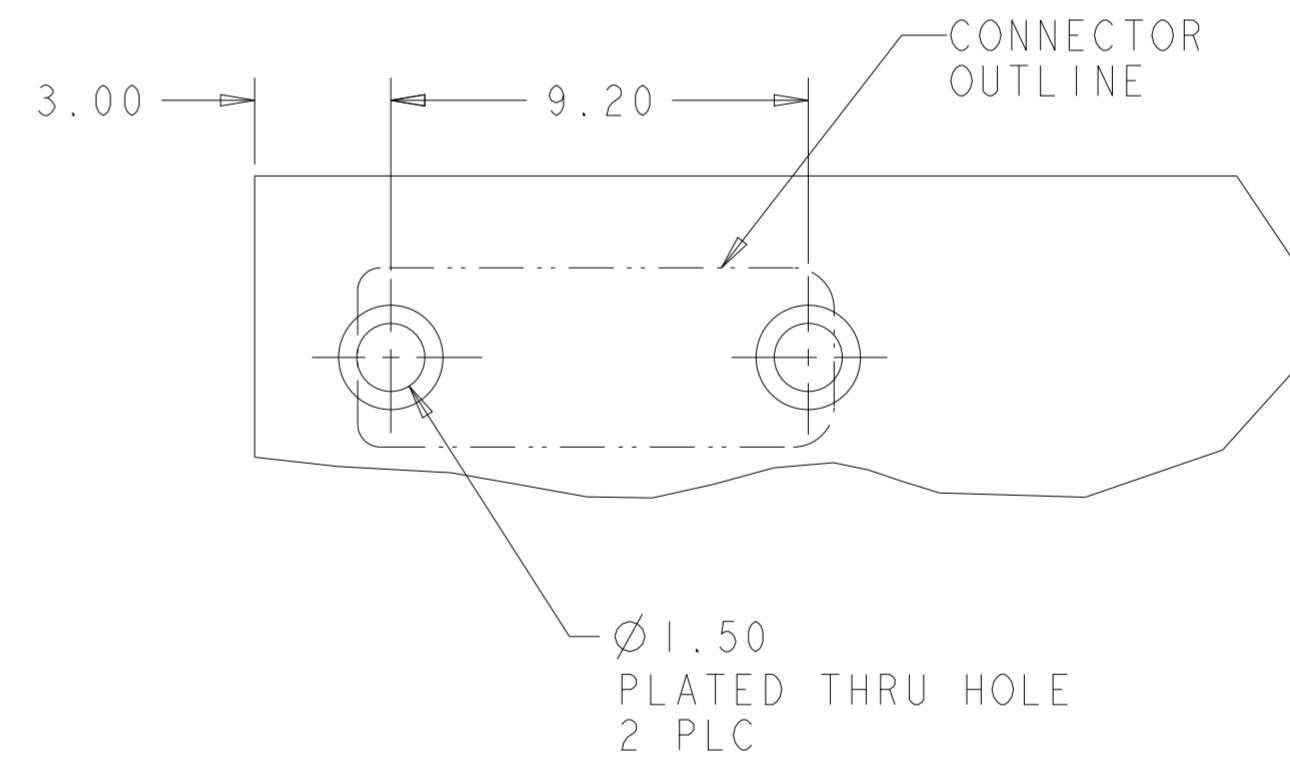
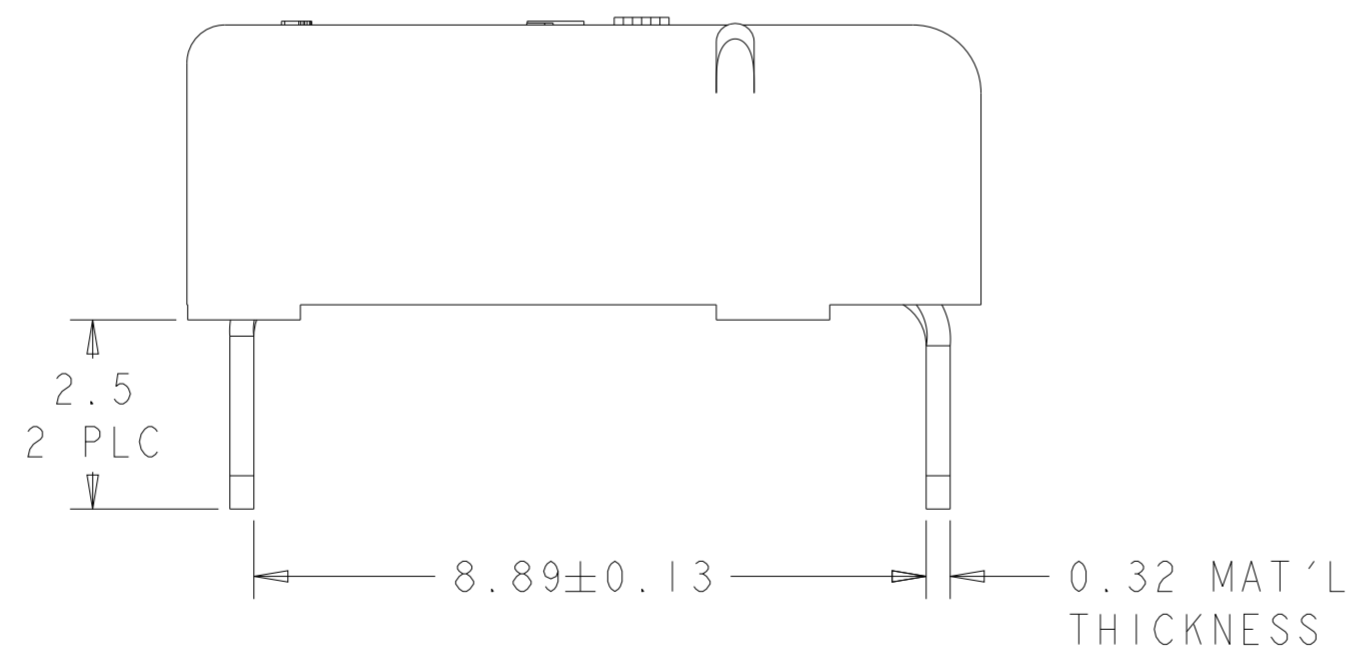
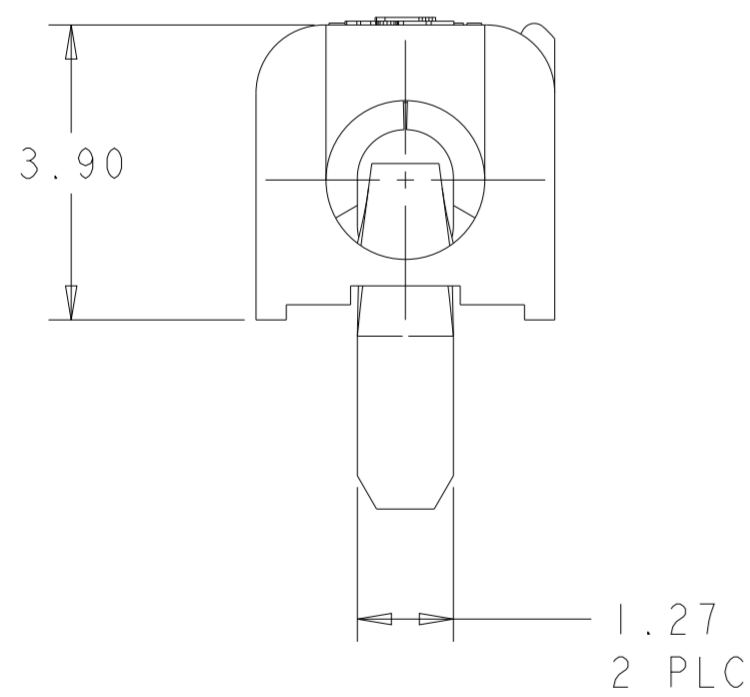
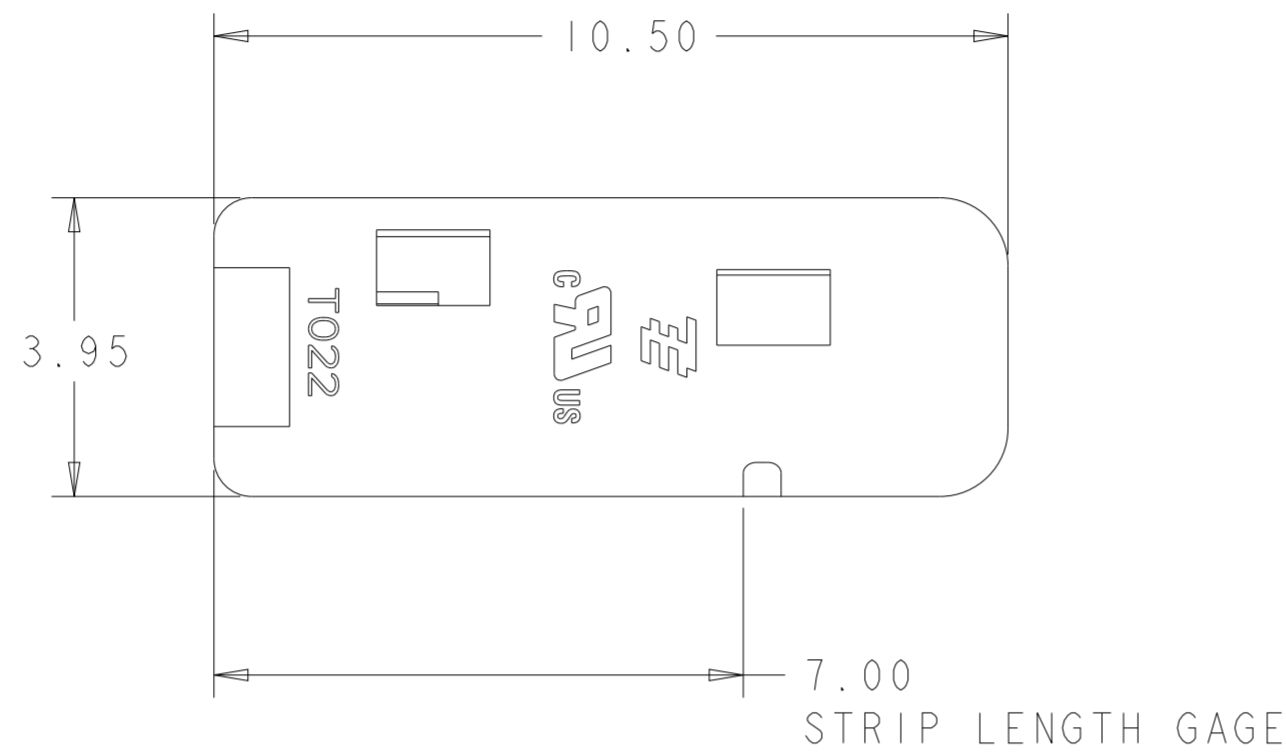
- ⚠ MATERIALS AND FINISH:
 - HOUSING: LCP, COLOR: WHITE
 - CONTACTS: COPPER ALLOY, FINISH: TIN

2. MUST COMPLY WITH DIRECTIVE 2002/95/EC (ROHS)

4. WIRE TYPES AND SIZES ACCEPTED
 18, 20 AND 22 AWG SOLID WIRE
 18 AND 20 AWG PREBOND STRANDED WIRE
 18 AWG STRANDED WIRE (16 STRAND COUNT)
 MAX INSULATION OD: 2.10 MM (.083")
 STRIP LENGTH: 7.0±1.0 (.276")

5. PACKAGED IN TAPE AND REEL

- ⚠ MATERIALS AND FINISH:
 - HOUSING: LCP, COLOR: BLACK
 - CONTACTS: COPPER ALLOY, FINISH: TIN

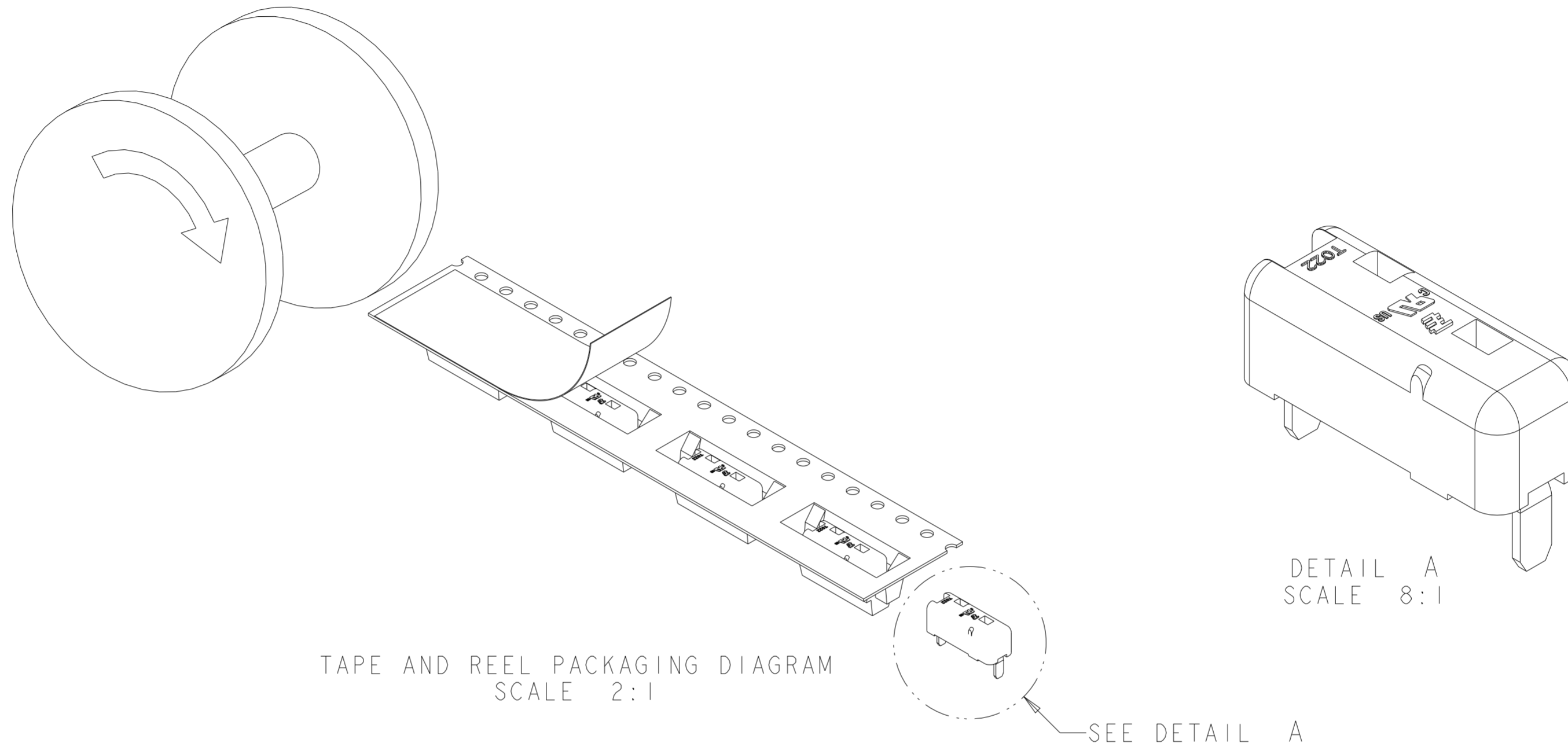


RECOMMENDED PCB LAYOUT
SCALE 6:1

OBSOLETE	⚠	BLACK	2008839-2
	⚠	WHITE	2008839-1
	MATERIAL	COLOR	PART NUMBER

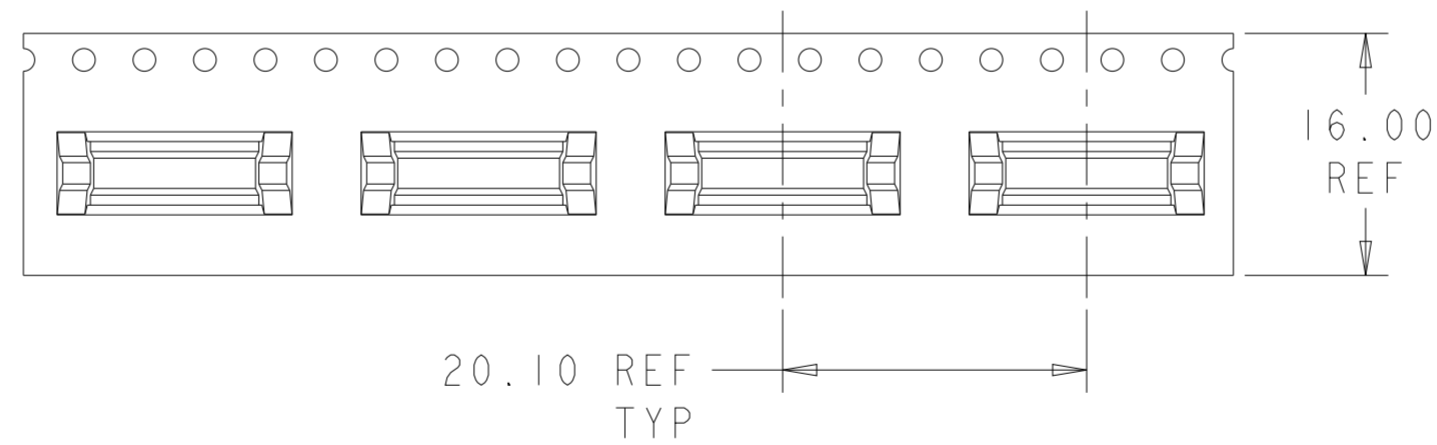
THIS DRAWING IS A CONTROLLED DOCUMENT.		DWN GURURAJ S	17OCT2007	STE TE Connectivity	
DIMENSIONS: mm		CHK -	-		
TOLERANCES UNLESS OTHERWISE SPECIFIED:		APVD -	-	NAME POKE-IN LED CONNECTOR ASSEMBLY, 1 POSITION, THRU HOLE	
0 PLC ±		PRODUCT SPEC -	-	APPLICATION SPEC -	
1 PLC ±0.2		APPLIC. SPEC -	-	SIZE A2	CAGE CODE 00779
2 PLC ±0.13		WEIGHT -	-	DRAWING NO C-2008839	RESTRICTED TO
3 PLC ±				SCALE 10:1	SHEET 1 OF 2
4 PLC ±				REV A1	
ANGLES ±3		CUSTOMER DRAWING			
FINISH SEE TABLE					

P	LTR	DESCRIPTION	DATE	DWN	APVD
-	-	SEE SHEET 1	-	-	-



TAPE AND REEL PACKAGING DIAGRAM
SCALE 2:1

DETAIL A
SCALE 8:1



THIS DRAWING IS A CONTROLLED DOCUMENT.		DWN GURURAJ S	17OCT2007	TE Connectivity	
DIMENSIONS: mm		CHK -	APVD -		
		TOLERANCES UNLESS OTHERWISE SPECIFIED:		PRODUCT SPEC -	
MATERIAL SEE TABLE		FINISH SEE TABLE		APPLICATION SPEC -	
		WEIGHT -		SIZE A2	CAGE CODE 00779
		CUSTOMER DRAWING		DRAWING NO C-2008839	RESTRICTED TO
		SCALE 10:1		SHEET 2 OF 2	REV A1

Mouser Electronics

Authorized Distributor

Click to View Pricing, Inventory, Delivery & Lifecycle Information:

[TE Connectivity:](#)

[2008839-1](#)