

LOC	DIST	REVISIONS					
GP	00	P	LTN	DESCRIPTION	DATE	DWN	APVD
		F3		REVISED PER ECO-18-008086	24MAY2018	IT	SH
		G		REVISED PER ECN-21-116787	07SEP2021	TP	SZ

1. MATERIAL:
 CAGE - 0.25mm THICK NICKEL SILVER ALLOY
 HEATSINK - ALUMINUM
 HEATSINK CLIP - STAINLESS STEEL
 EMI SPRING(S) - COPPER ALLOY

2. FINISH:
 HEATSINK - ELECTROLESS NICKEL
 HEATSINK CLIP - PASSIVATE
 EMI SPRING(S) - 0.8um MIN MATTE TIN OVER 0.8um MIN NICKEL,
 NON-PLATED EDGES PERMISSIBLE.

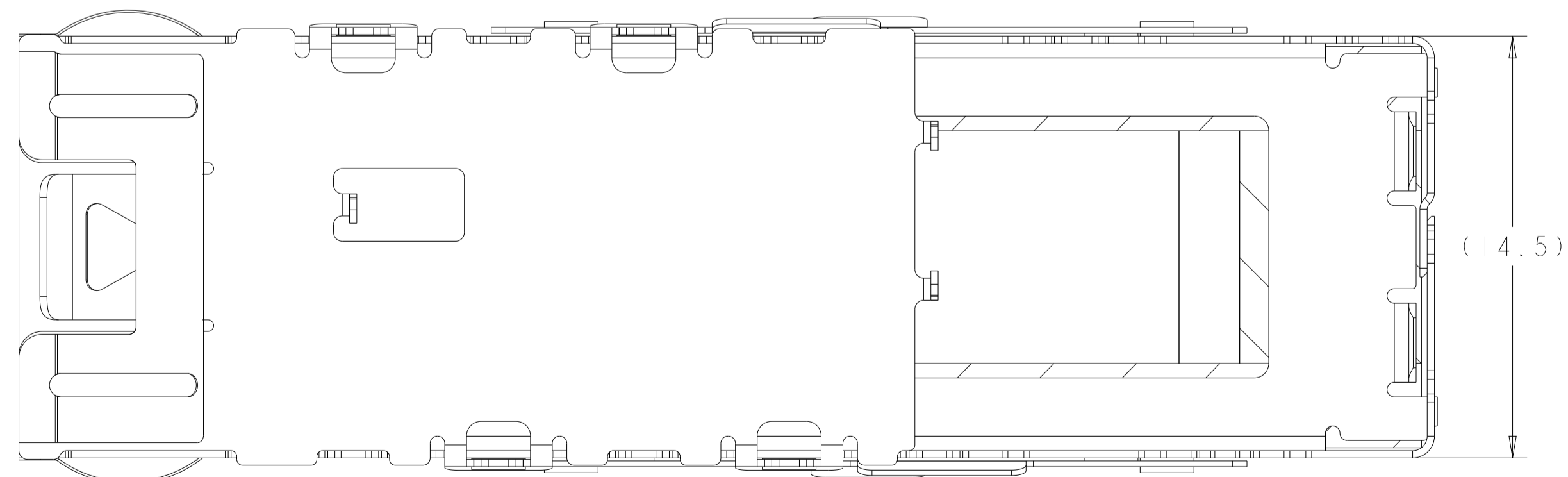
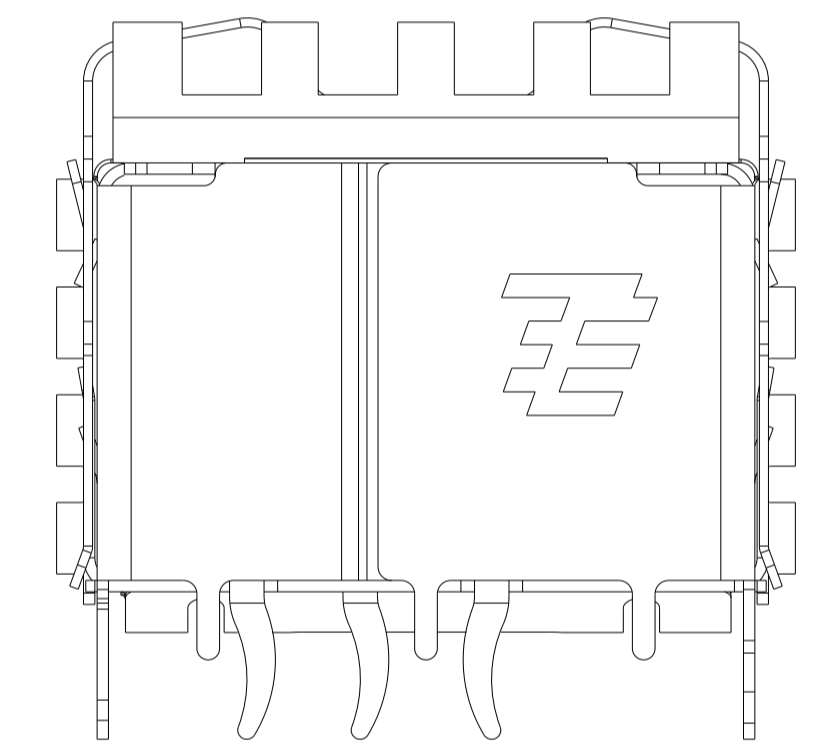
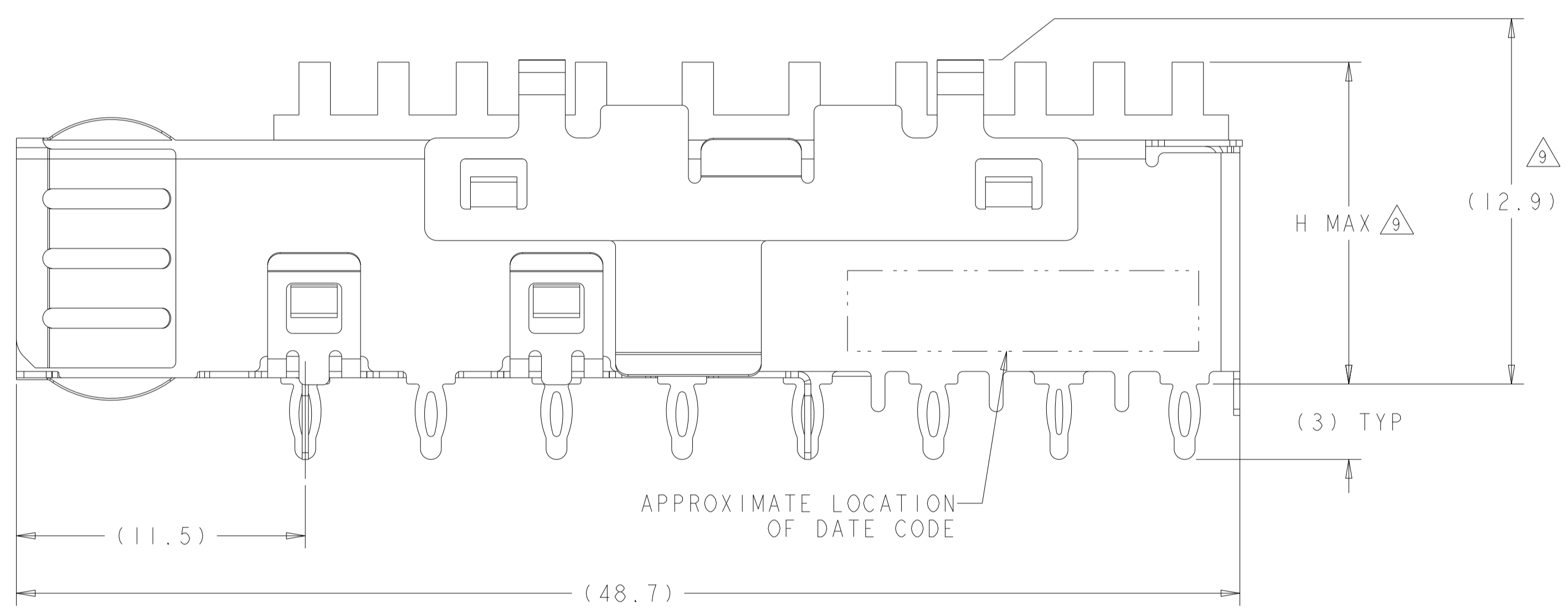
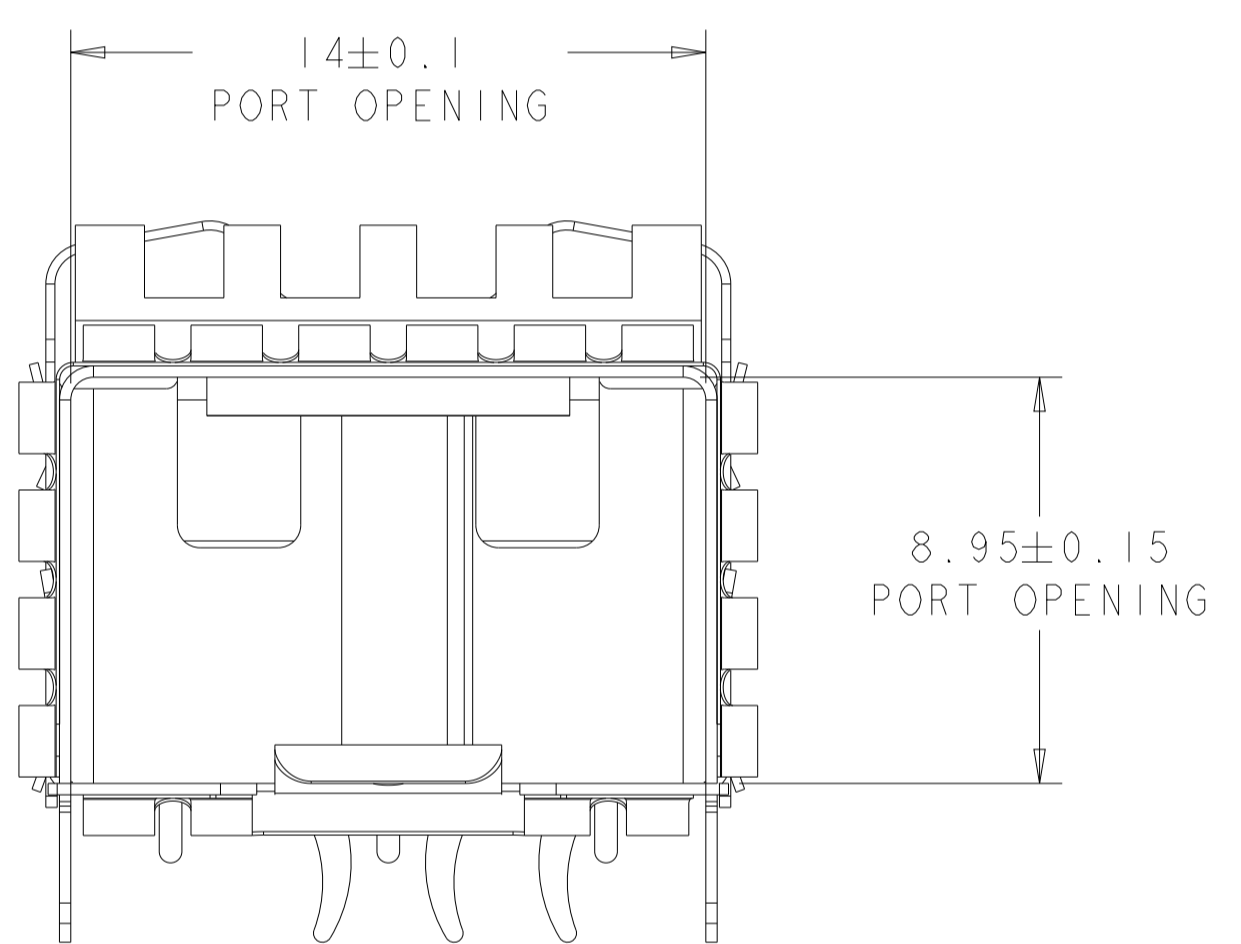
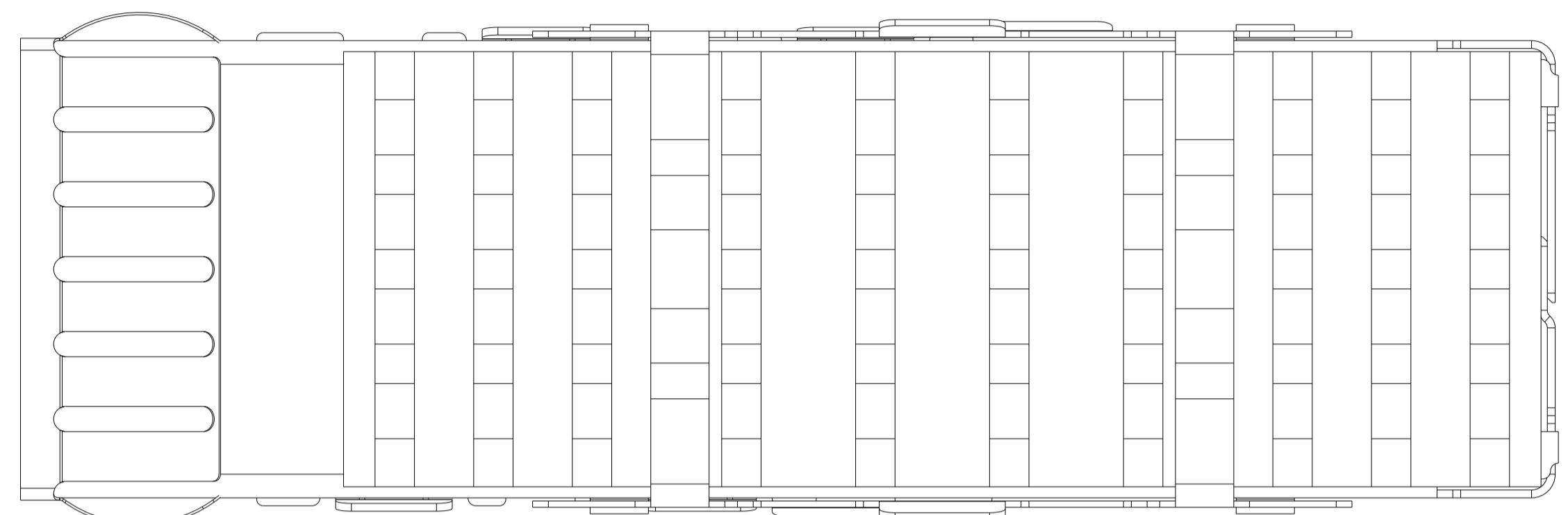
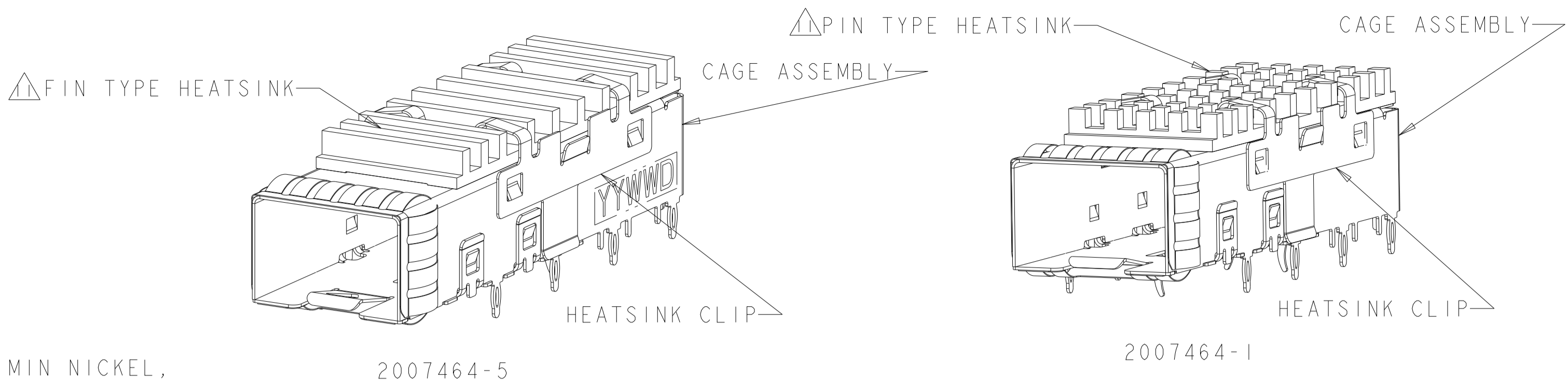
3. MATES WITH SFP MSA COMPLIANT TRANSCEIVERS.

4. PADS AND VIAS CHASSIS GROUND.

5. DATUM AND BASIC DIMENSION ESTABLISHED BY CUSTOMER.

6. MINIMUM PC BOARD THICKNESS:
 SINGLE SIDED = 1.50mm
 DOUBLE SIDED = 3.00mm

7. REFERENCE APPLICATION SPEC. 114-13120, HOLE A, FOR
 RECOMMENDED DRILL HOLE DIAMETER AND PLATING THICKNESS.



8. REFERENCE APPLICATION SPEC. 114-13120, HOLE C, FOR
 RECOMMENDED DRILL HOLE DIAMETER AND PLATING THICKNESS.

9. DIMENSION APPLIES PRIOR TO INSERTION OF SFP MODULE.

10. CAGE ASSEMBLY, HEATSINK CLIP AND HEATSINK SHIPPED
 ASSEMBLED.

11. HEAT SINK REFERENCE PART NUMBERS:
 1829903-2 = 4.2 HIGH - PCI, PIN TYPE
 1829904-2 = 6.5 HIGH - SAN, PIN TYPE
 1829905-2 = 13.5 HIGH - NETWORKING, PIN TYPE
 2170426-4 = 4.2 HIGH - PCI, FIN TYPE
 2170427-4 = 6.5 HIGH - SAN, FIN TYPE
 2170428-4 = 13.5 HIGH - NETWORKING, FIN TYPE
 2399834-1 = 19.2 HIGH - NETWORKING, FIN TYPE

12. REMOVED

DESCRIPTION	H MAX	APPLICATION	PART NUMBER
W/O INSULATING TAPE	28.5	NETWORKING	I-2007464-1
W/O INSULATING TAPE	13.5	PCI	I-2007464-0
W/O INSULATING TAPE	13.5	PCI	2007464-9
W/ INSULATING TAPE	22.8	NETWORKING	2007464-8
W/O INSULATING TAPE	22.8	NETWORKING	2007464-7
W/O INSULATING TAPE	15.8	SAN	2007464-6
W/O INSULATING TAPE	13.5	PCI	2007464-5
W/ INSULATING TAPE	22.8	NETWORKING	2007464-4
W/O INSULATING TAPE	22.8	NETWORKING	2007464-3
W/O INSULATING TAPE	15.8	SAN	2007464-2
W/O INSULATING TAPE	13.5	PCI	2007464-1

THIS DRAWING IS A CONTROLLED DOCUMENT.

APVD: H. H. WERTZ, ZONOV2007
 CHG: M. R. SCHMITT, ZONOV2007
 DWN: Z. M. BEAM, ZONOV2007

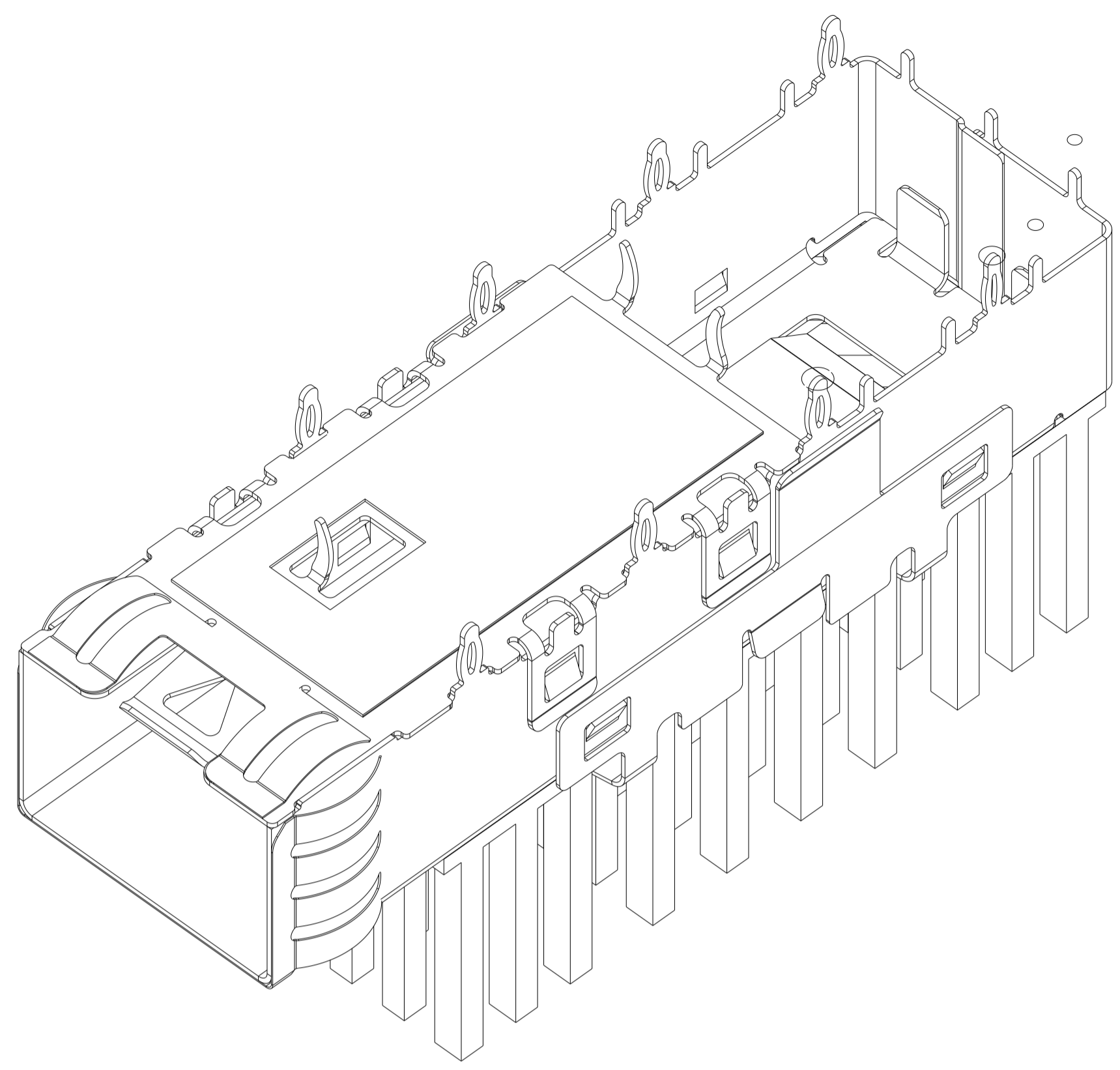
TE Connectivity

SFP+ 1X1 CAGE ASSEMBLY, PRESS-FIT PRESS-FIT, EMI SPRINGS WITH HEATSINK

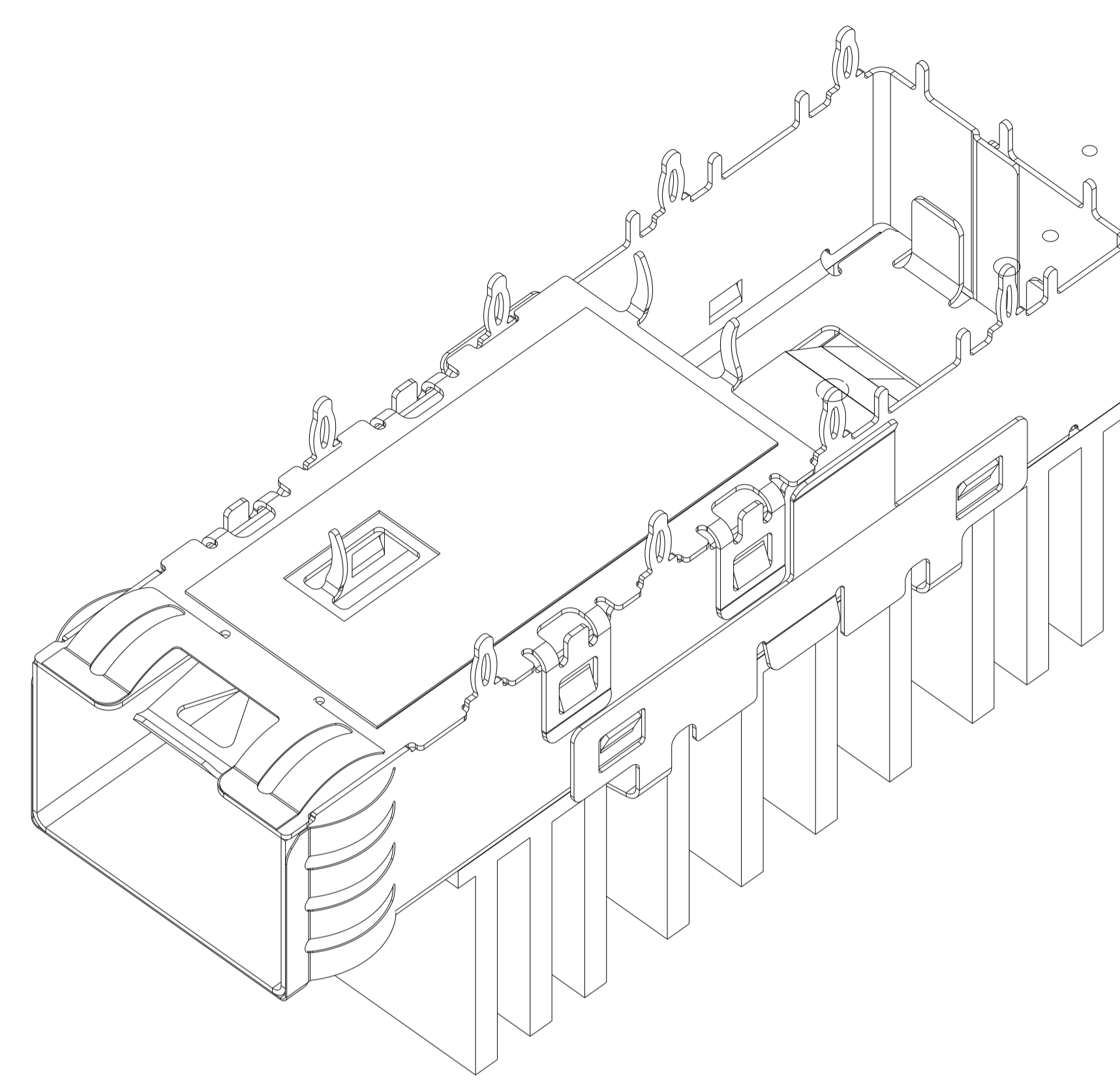
SIZE: A1, CAGE CODE: 00779, DRAWING NO: 2007464, RESTRICTED TO: -

Customer Drawing, SCALE: 2:1, SHEET: 1 OF 4, REV: G

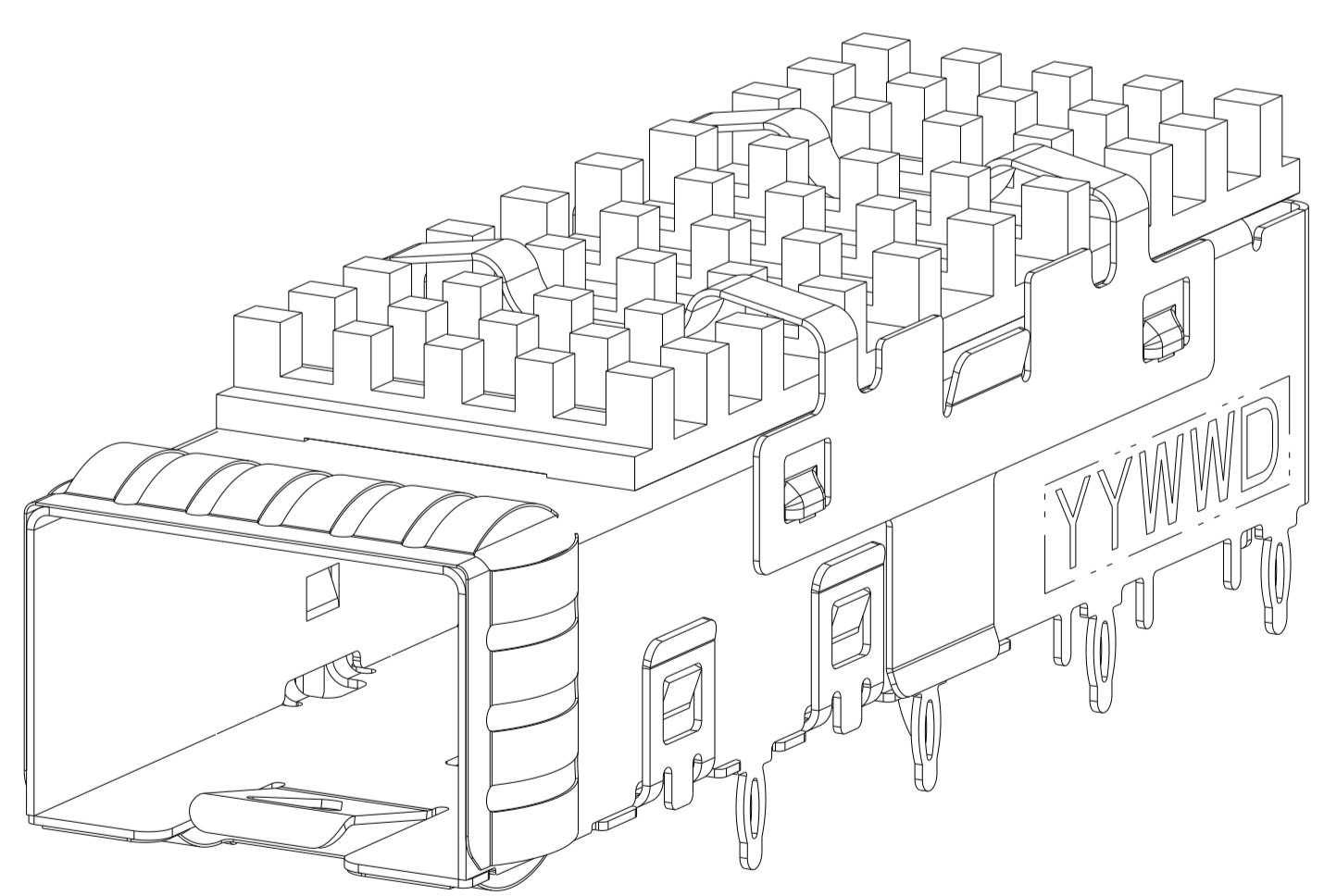
LOC	DIST	REVISIONS			
P	LYR	DESCRIPTION	DATE	DMN	APVD
-	-	SEE SHEET 1	-	-	-



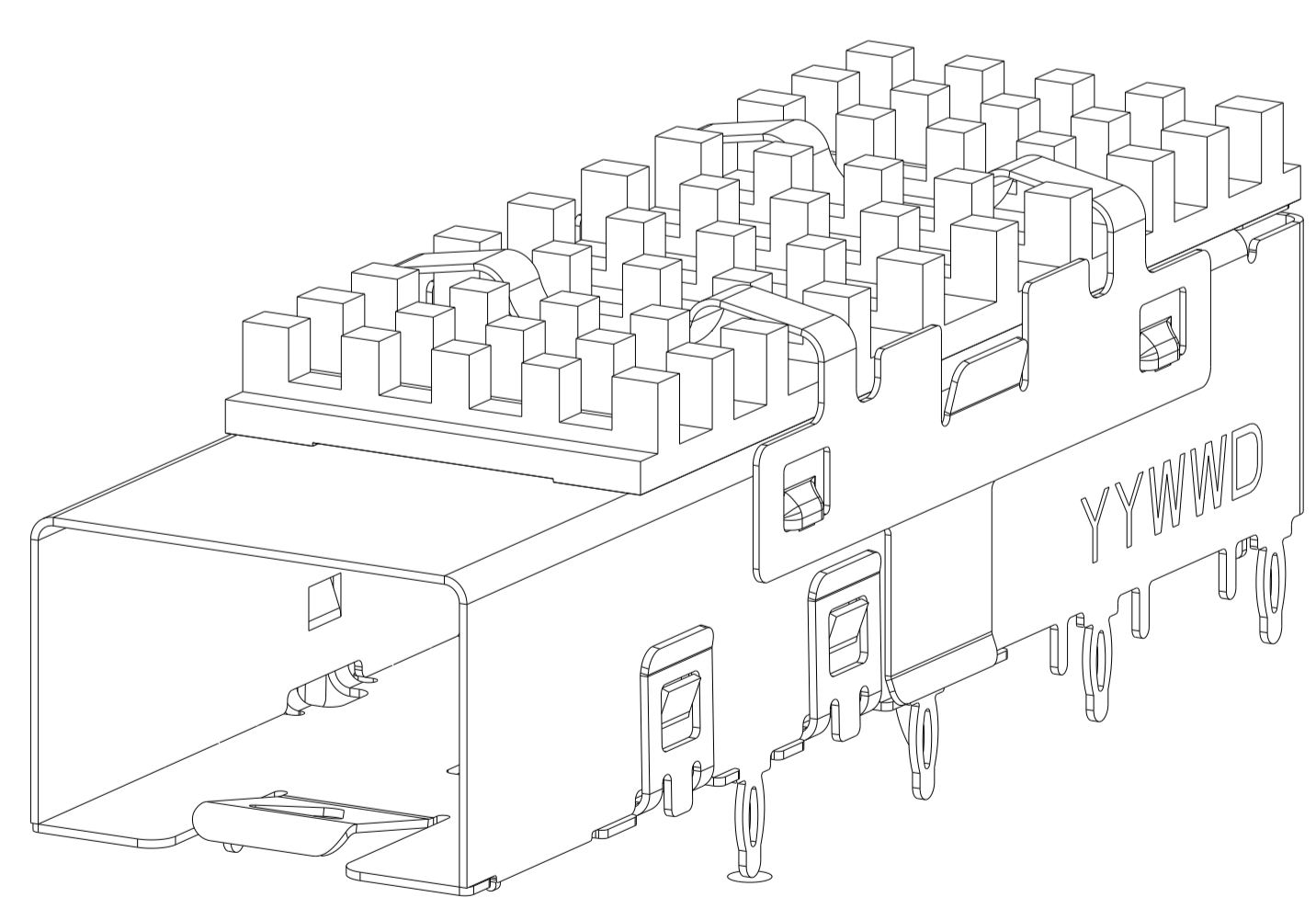
2007464-4 AS SHOWN WITH INSULATING TAPE, PIN TYPE HEAT SINK
 2007464-1, 2, 3 WITHOUT INSULATING TAPE, TAPE, PIN TYPE HEAT SINK



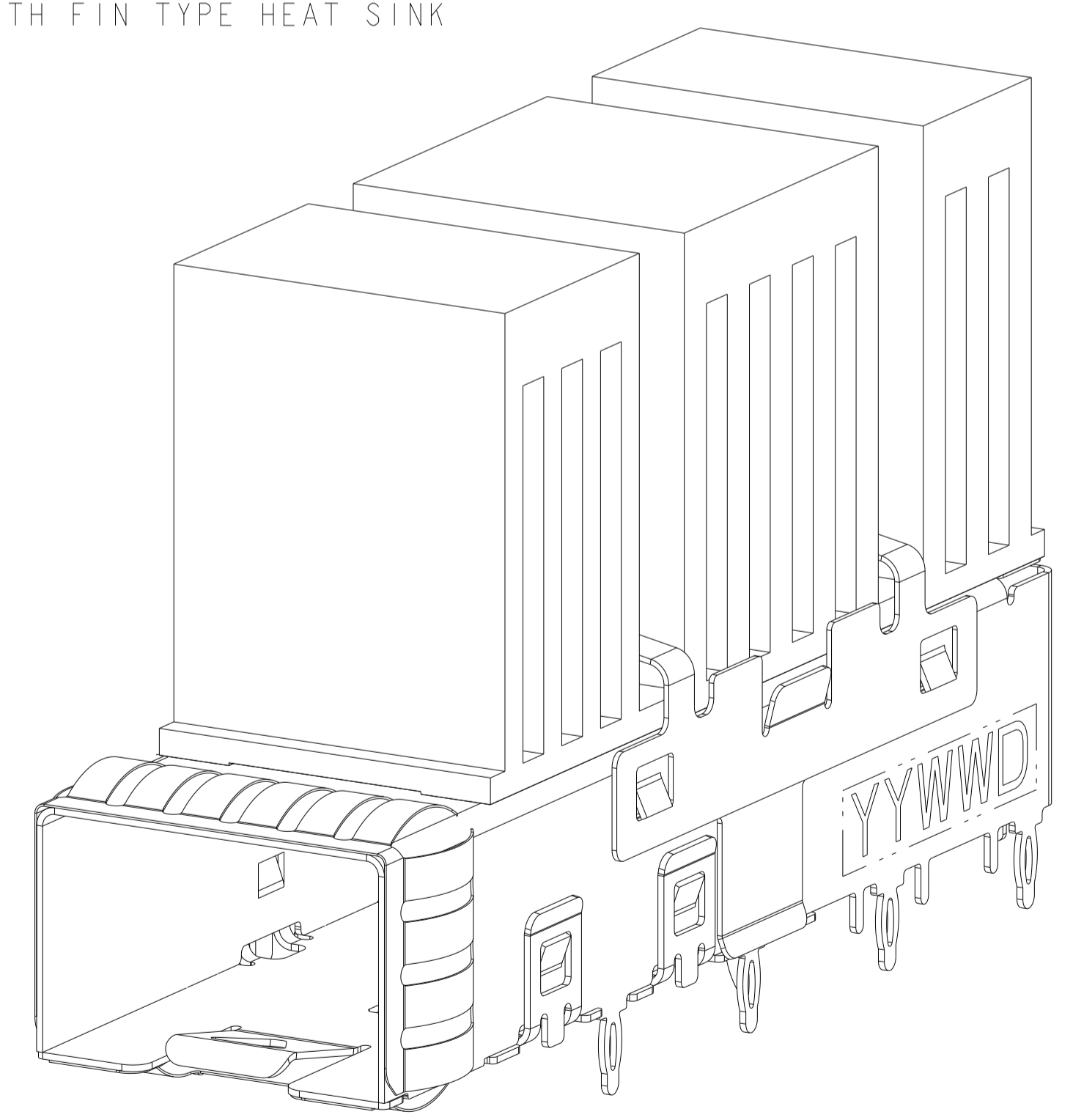
2007464-8 AS SHOWN WITH INSULATING TAPE, WITH FIN TYPE HEAT SINK
 2007464-5, 6, 7 WITHOUT INSULATING TAPE, WITH FIN TYPE HEAT SINK





2007464-9 AS SHOWN



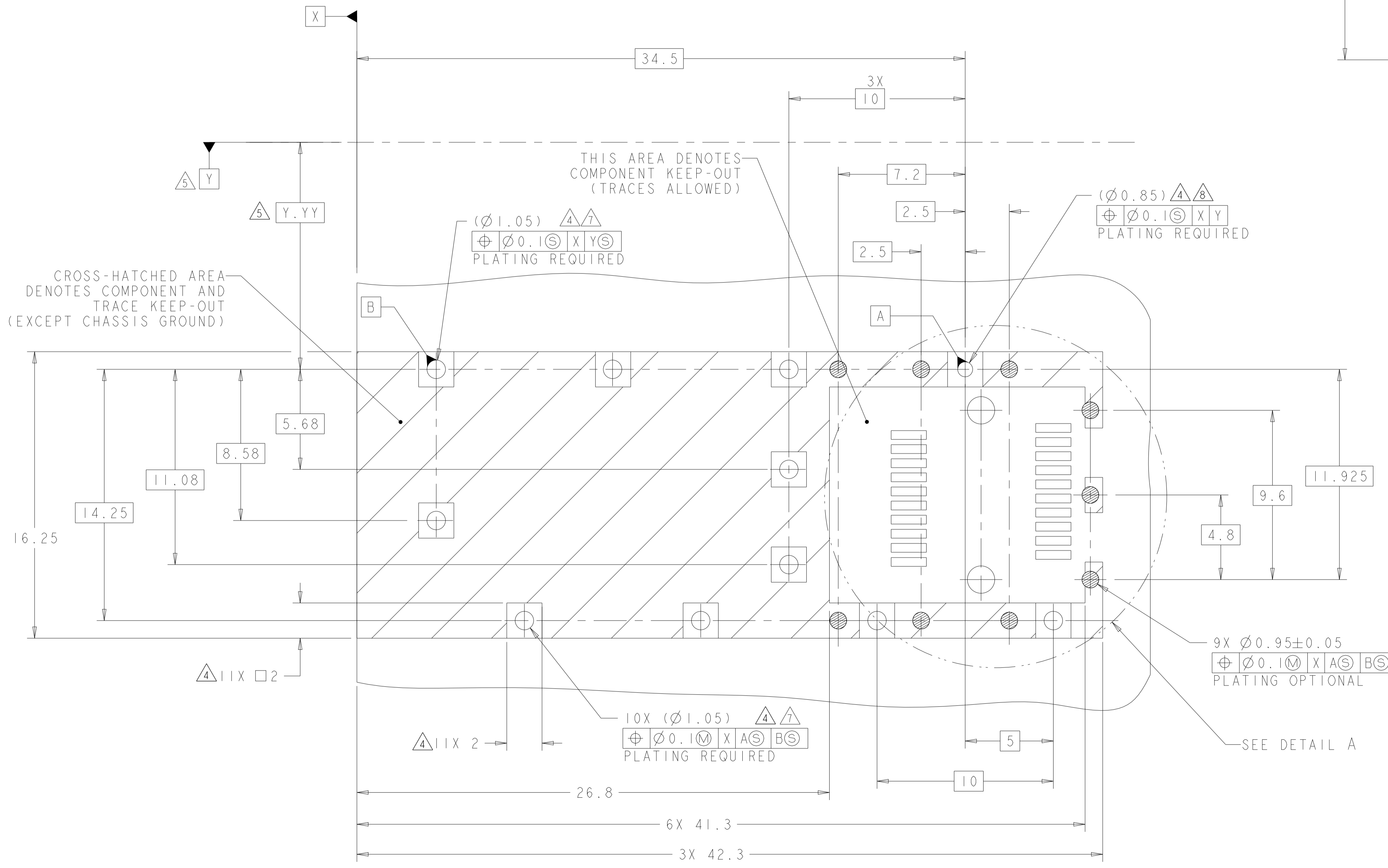
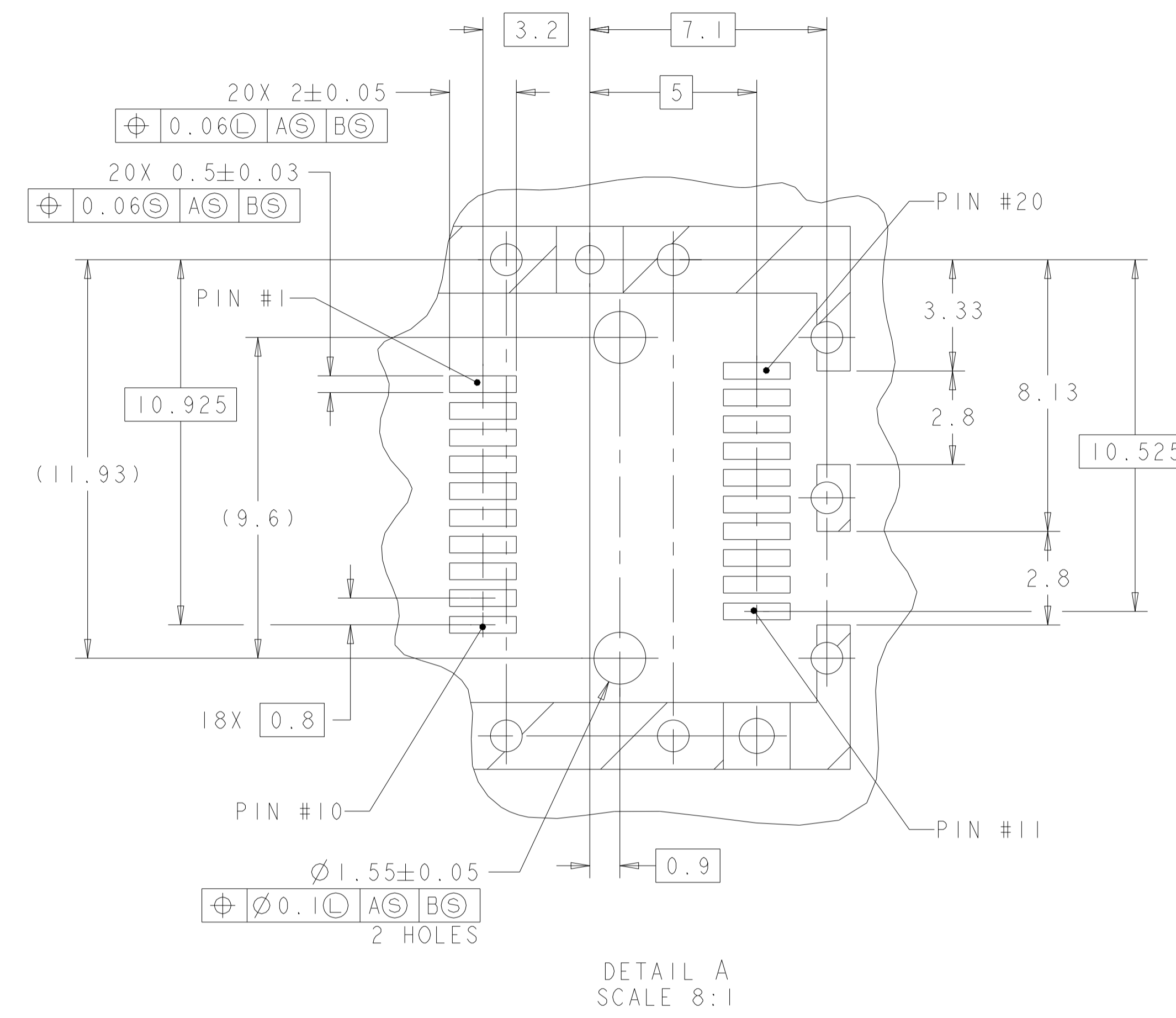
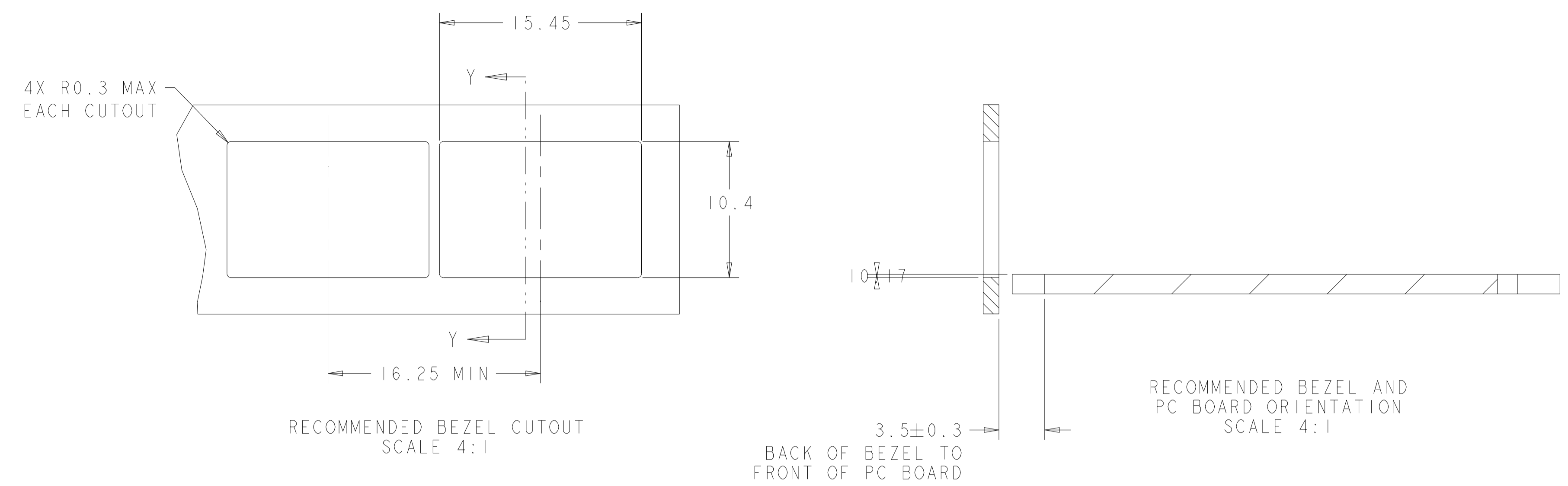
1-2007464-0 AS SHOWN



1-2007464-1 AS SHOWN

THIS DRAWING IS A CONTROLLED DOCUMENT.		DMN Z. M. REAM	20NOV2007	 TE Connectivity
DIMENSIONS:		CHK M. R. SCHMITT	20NOV2007	
mm	TOLERANCES UNLESS OTHERWISE SPECIFIED:	APVD R. H. WERTZ	20NOV2007	NAME SFP+ 1X1 CAGE ASSEMBLY, PRESS-FIT PRESS-FIT, EMI SPRINGS WITH HEATSINK
 0 PLC ±0.1 1 PLC ±0.5 2 PLC ±0.5 3 PLC ±0.13 4 PLC ±0.13 ANGLES ±0.13 FINISH	PRODUCT SPEC 108-2364 APPLICATION SPEC 114-13120 WEIGHT Customer Drawing	SIZE A100779	DRAWING NO C=2007464	
MATERIAL		SCALE		SHEET 2 OF 4 REV G

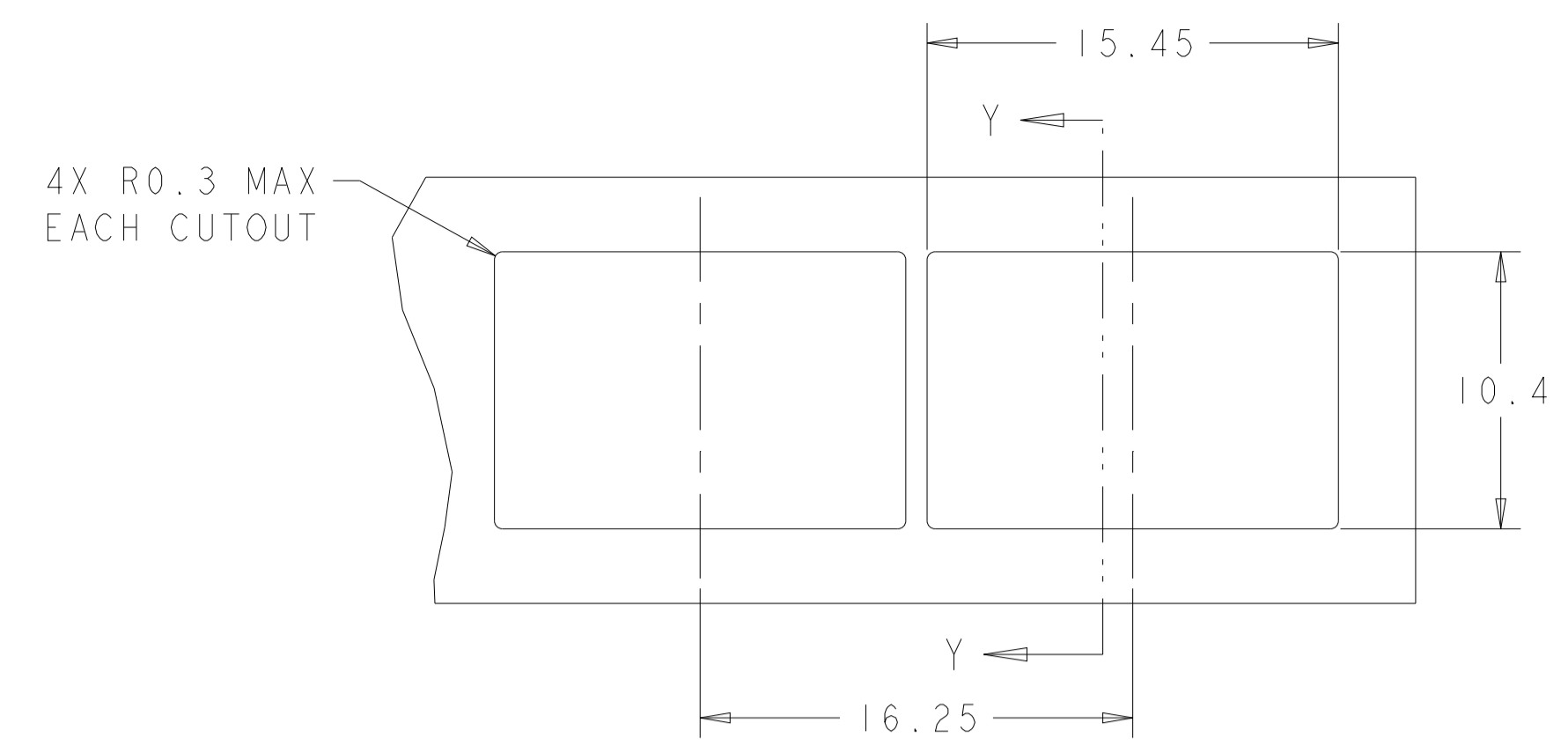
LOC		DIST		REVISIONS			
GP	00	P	LTN	DESCRIPTION	DATE	OWN	APVD
				SEE SHEET 1			



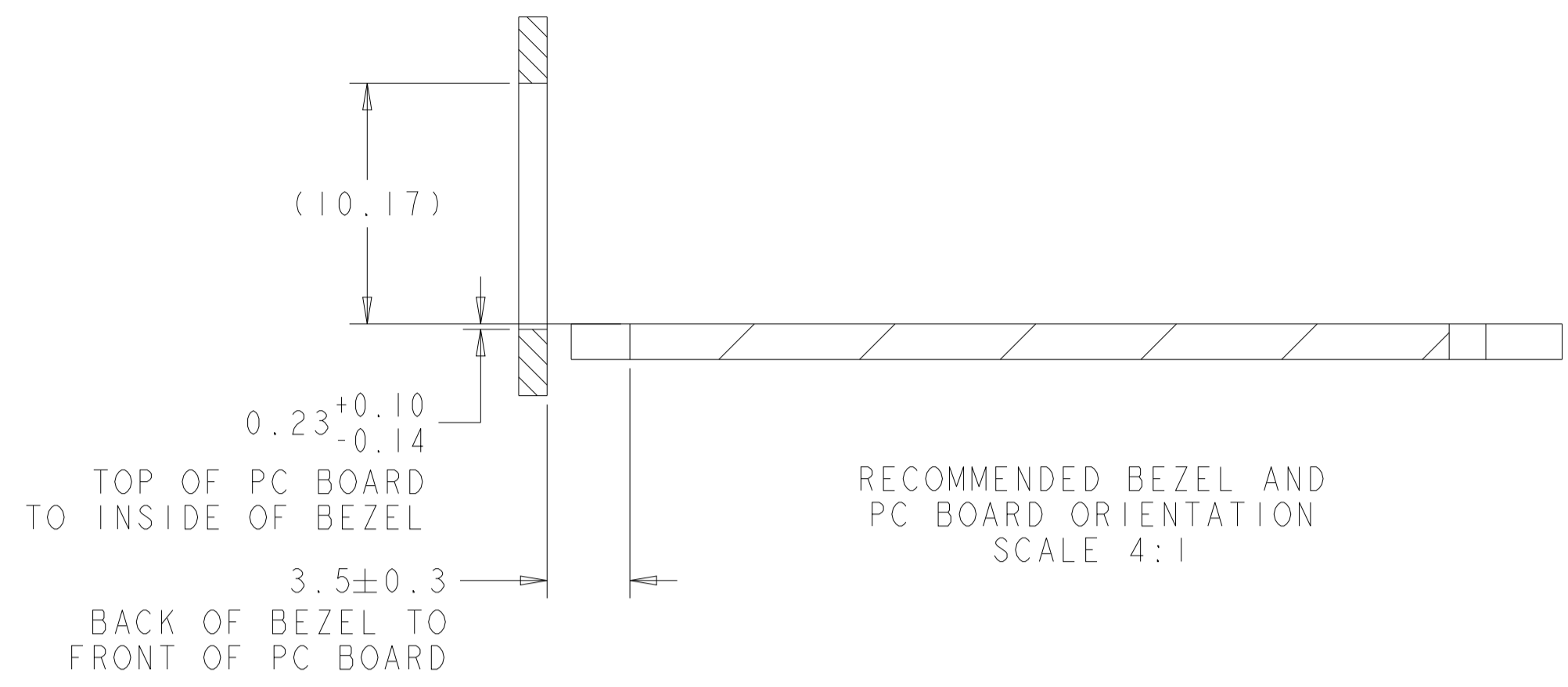
RECOMMENDED PCB LAYOUT SCALE 7:1

THIS DRAWING IS A CONTROLLED DOCUMENT.		OWN Z.M. REAM	20NOV2007	TE Connectivity
DIMENSIONS: mm		CHK M.B. SCHMITT	20NOV2007	
TOLERANCES UNLESS OTHERWISE SPECIFIED:		APVD R.H. WERTZ	20NOV2007	NAME SFP+ IXI CAGE ASSEMBLY, PRESS-FIT PRESS-FIT, EMI SPRINGS WITH HEATSINK
0 PLC ±0.1		PRODUCT SPEC	108-2364	
1 PLC ±0.5		APPLICATION SPEC	114-13120	SIZE CAGE CODE DRAWING NO RESTRICTED TO A100779C=2007464
2 PLC ±0.5		WEIGHT		
3 PLC ±0.13		Customer Drawing	SCALE 2	SHEET 3 OF 4 REV G
4 PLC ±0.13				
ANGLES ±0.13				
FINISH				

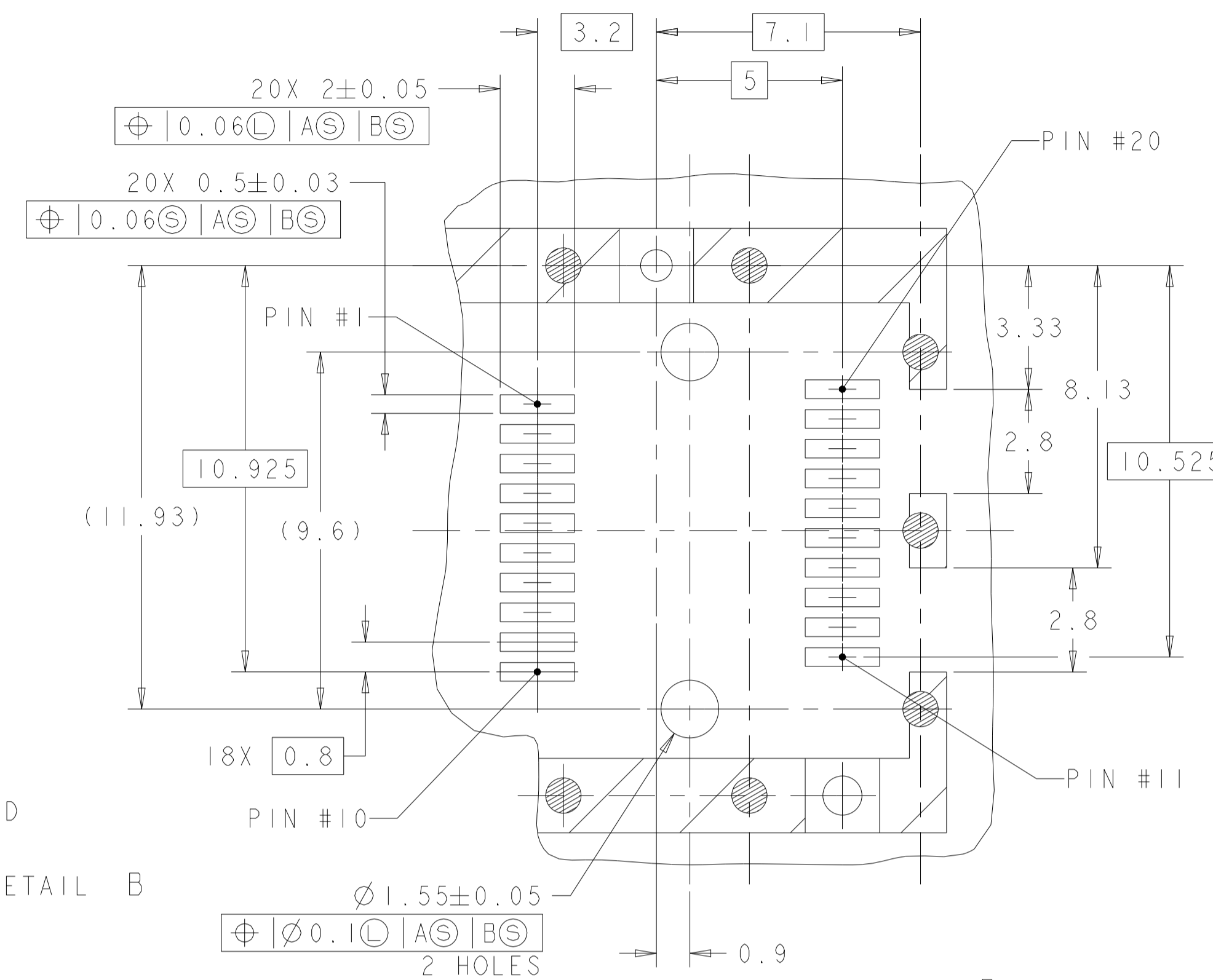
LOC	DIST	REV	DATE	BY	APPV
GP	00				



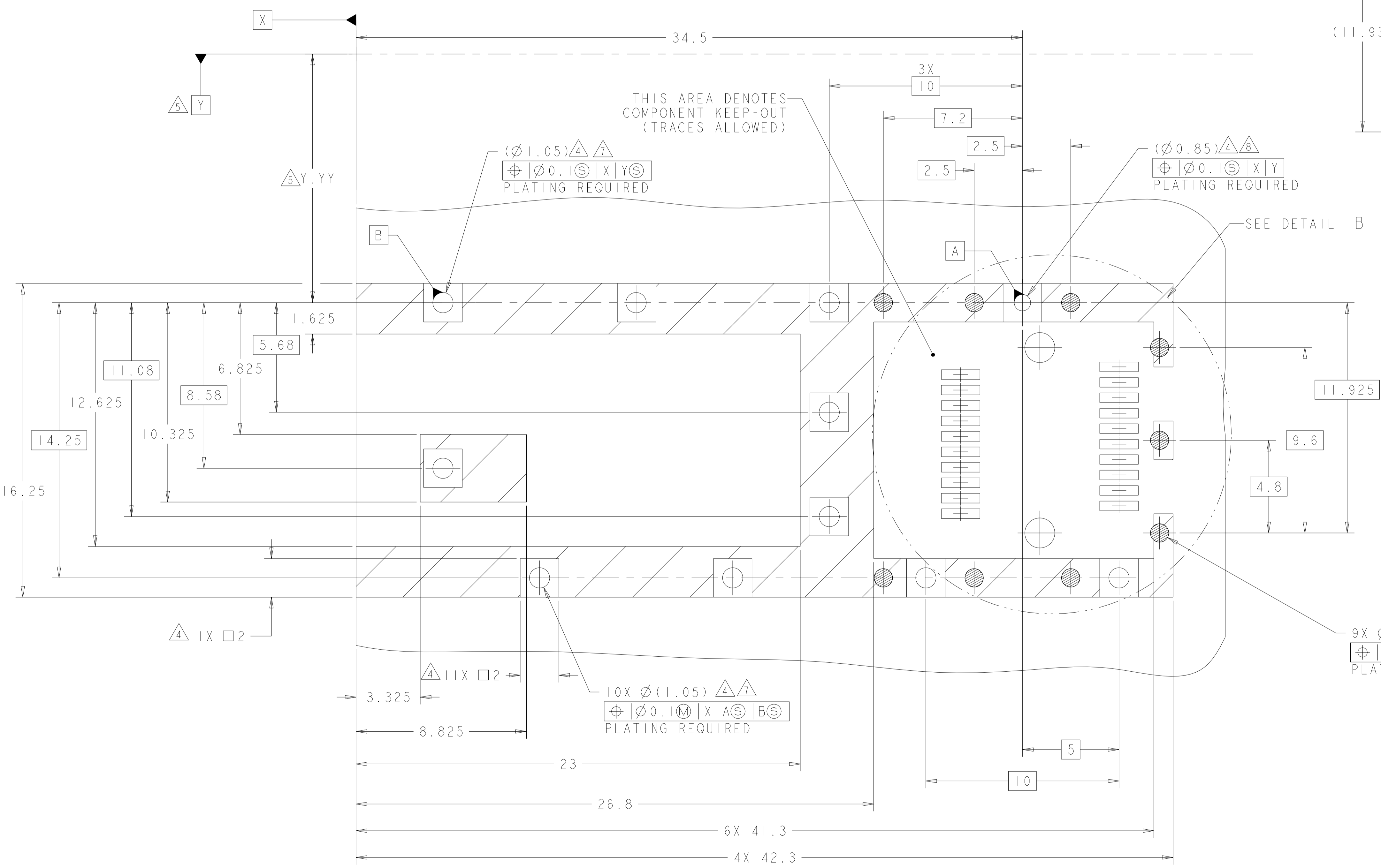
RECOMMENDED BEZEL CUTOUT
SCALE 4:1



RECOMMENDED BEZEL AND
PC BOARD ORIENTATION
SCALE 4:1



DETAIL B
SCALE 8:1



RECOMMENDED PCB LAYOUT FOR WITH
INSULATING TAPE PART
SCALE 8:1

THIS DRAWING IS A CONTROLLED DOCUMENT.		OWN: Z.M.BEAM 20NOV2007	TE Connectivity
DIMENSIONS: mm		CHK: M.B.SCHMITT 20NOV2007	
TOLERANCES UNLESS OTHERWISE SPECIFIED:		APVD: R.H.WERTZ 20NOV2007	NAME: SFP+ IXI CAGE ASSEMBLY, PRESS-FIT PRESS-FIT, EMI SPRINGS WITH HEATSINK
0 PLC ±0.1	1 PLC ±0.5	PRODUCT SPEC: 108-2364	SIZE: A1
2 PLC ±0.5	3 PLC ±0.13	APPLICATION SPEC: 114-13120	CAGE CODE: 2007464
4 PLC ±0.13	ANGLES ±0.13	WEIGHT: -	RESTRICTED TO: -
MATERIAL: -	FINISH: -	Customer Drawing	SCALE: 2 SHEET 4 OF 4 REV: G

Mouser Electronics

Authorized Distributor

Click to View Pricing, Inventory, Delivery & Lifecycle Information:

[TE Connectivity:](#)

[2007464-2](#)