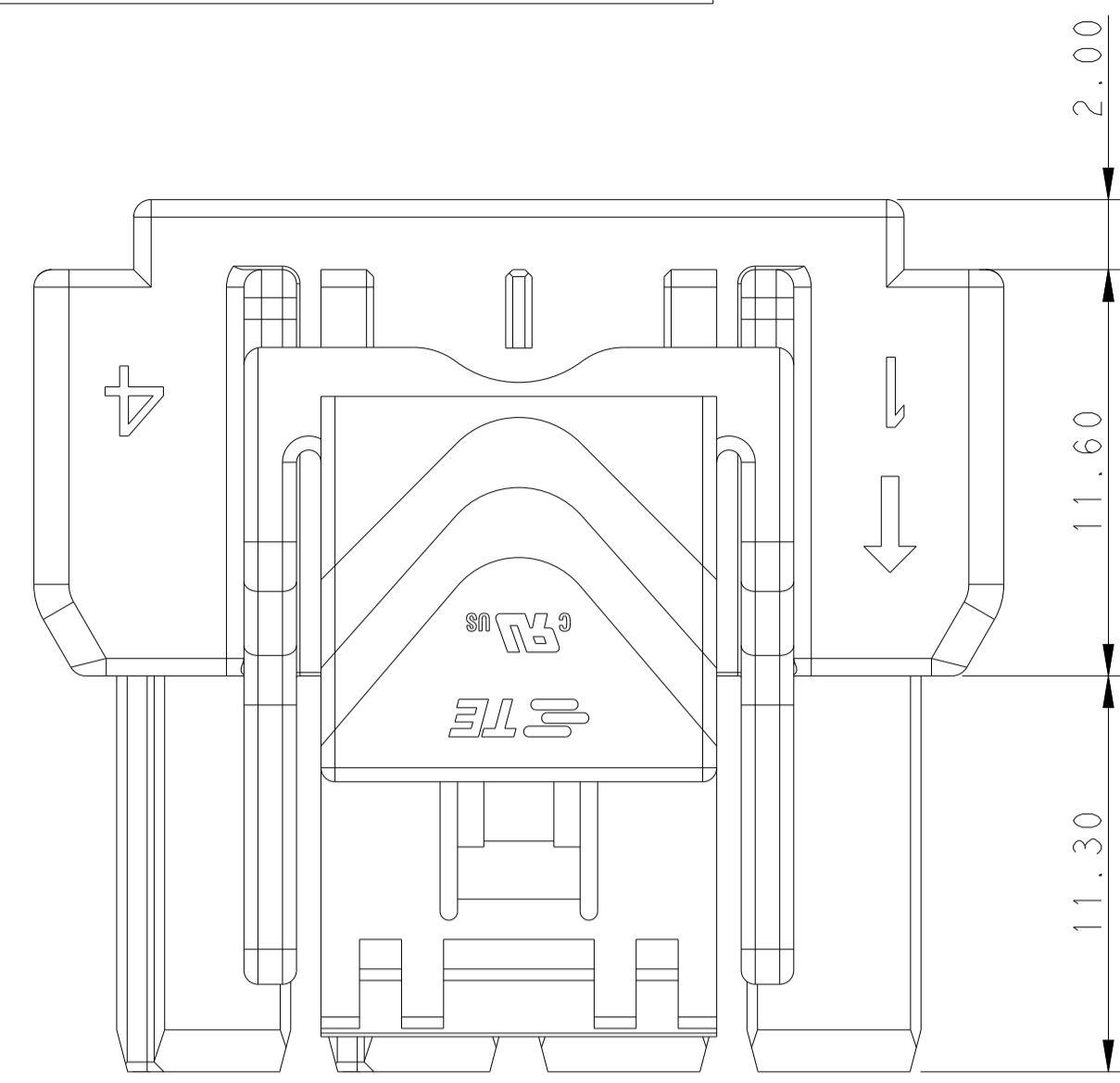
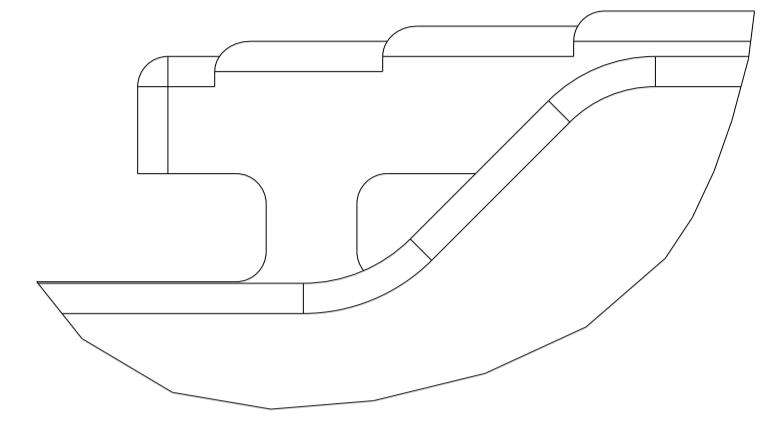


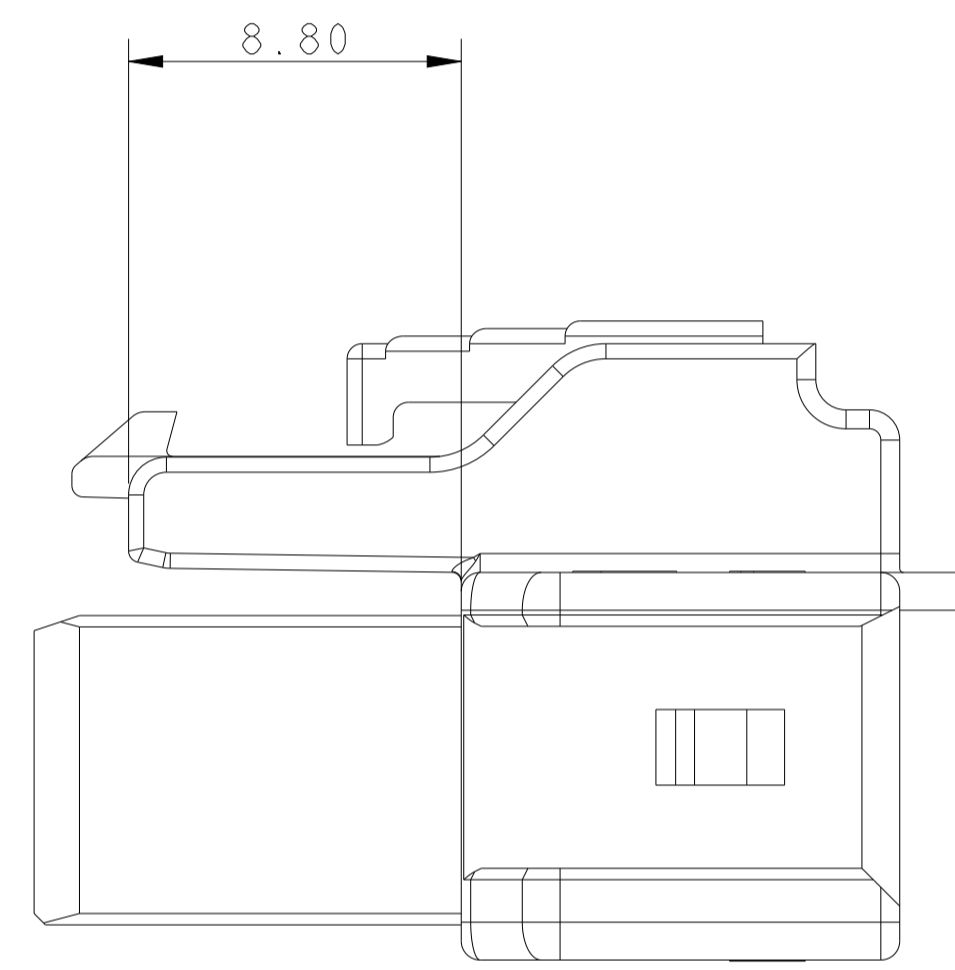
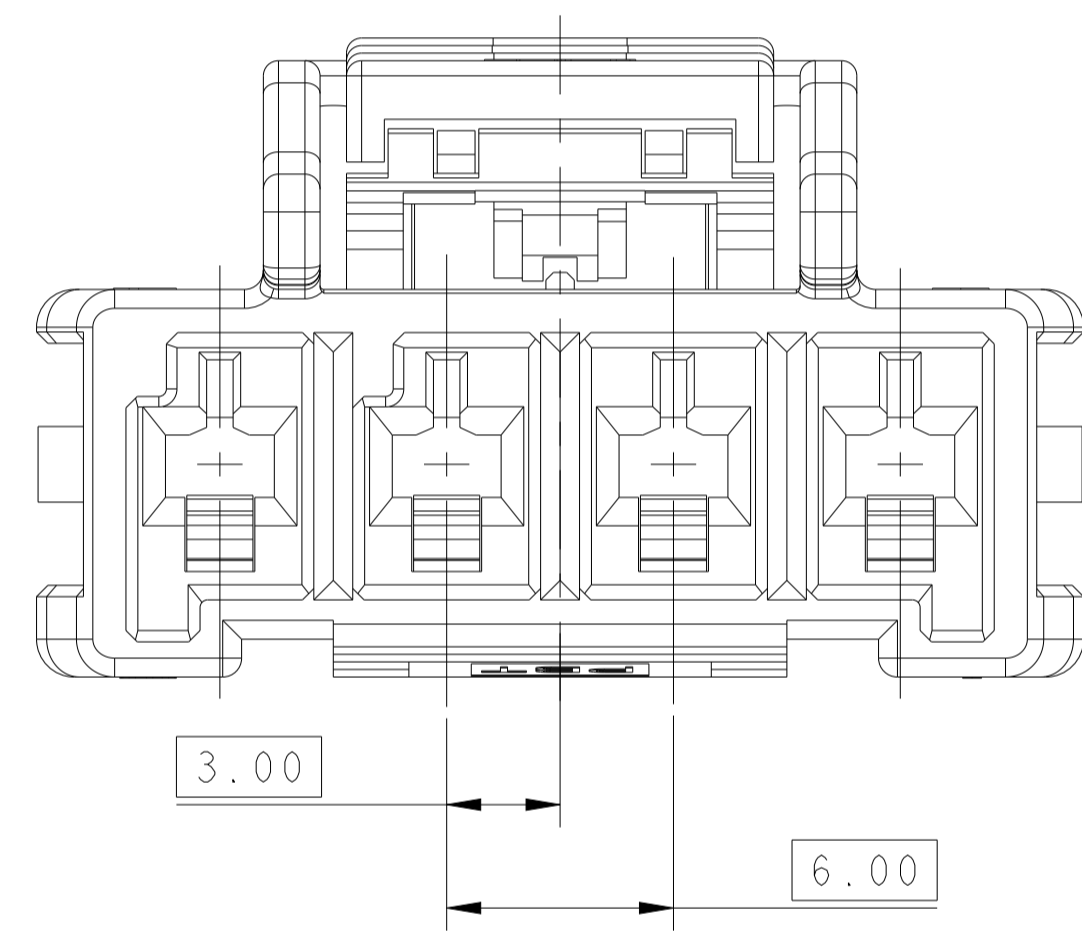
| LOC | | DIST | | REVISIONS | | | |
|-----|-----|---------------------------|-----------|-----------|------|--|--|
| P | LTN | DESCRIPTION | DATE | DWN | APVD | | |
| G | | REVISED PER ECR-21-100678 | 08APR2021 | SS | VS | | |



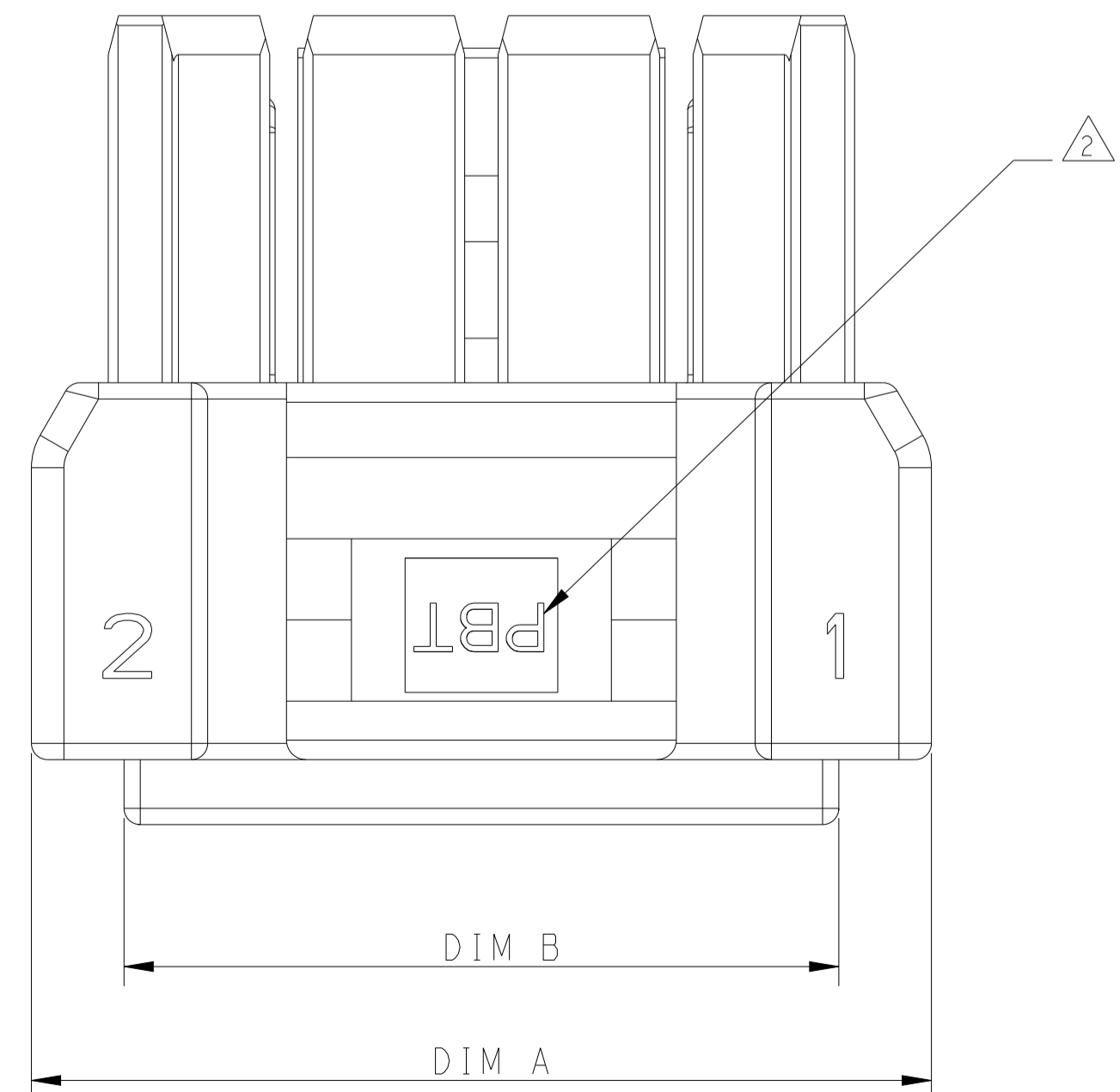
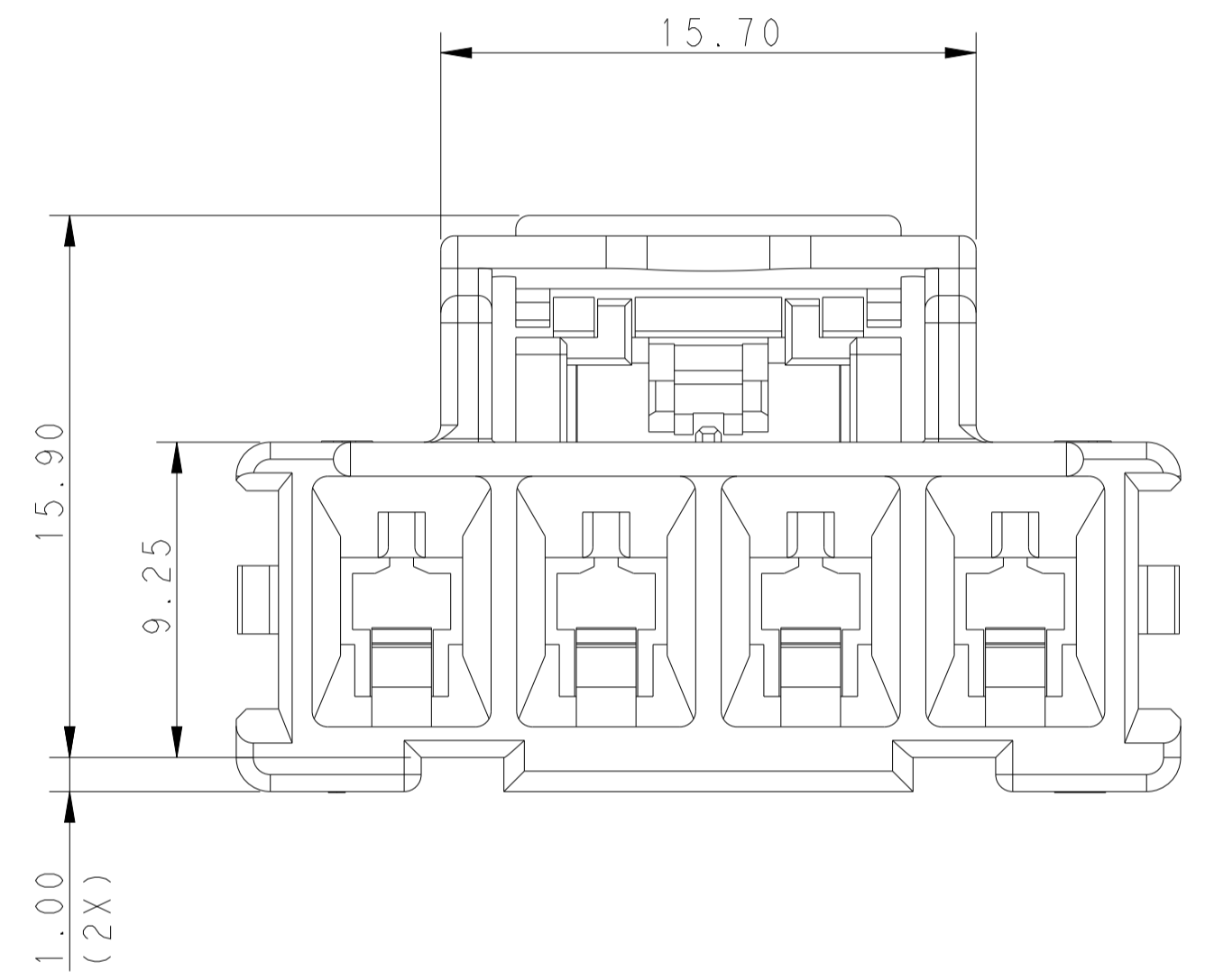
| POS. | DIM. A | DIM. B |
|------|--------|--------|
| 1*5 | 33.7 | 28.0 |
| 1*4 | 27.7 | 22.0 |
| 1*3 | 21.7 | 16.0 |
| 1*2 | 15.7 | 10.0 |



LEVEL 2 LATCH DESIGN



LEVEL 1 LATCH DESIGN



▲ MATERIAL:
 LEVEL 1: PBT GLASS FILLED, STANDARD TEMPERATURE 105°C
 KEY A: NATURAL; KEY B: PURPLE; KEY C: BLUE; KEY D: YELLOW
 LEVEL 2: NYLON (PA 66), HIGH TEMPERATURE 150°C
 KEY A: LIGHT GREY; KEY B: RED; KEY C: BLACK; KEY D: NATURAL

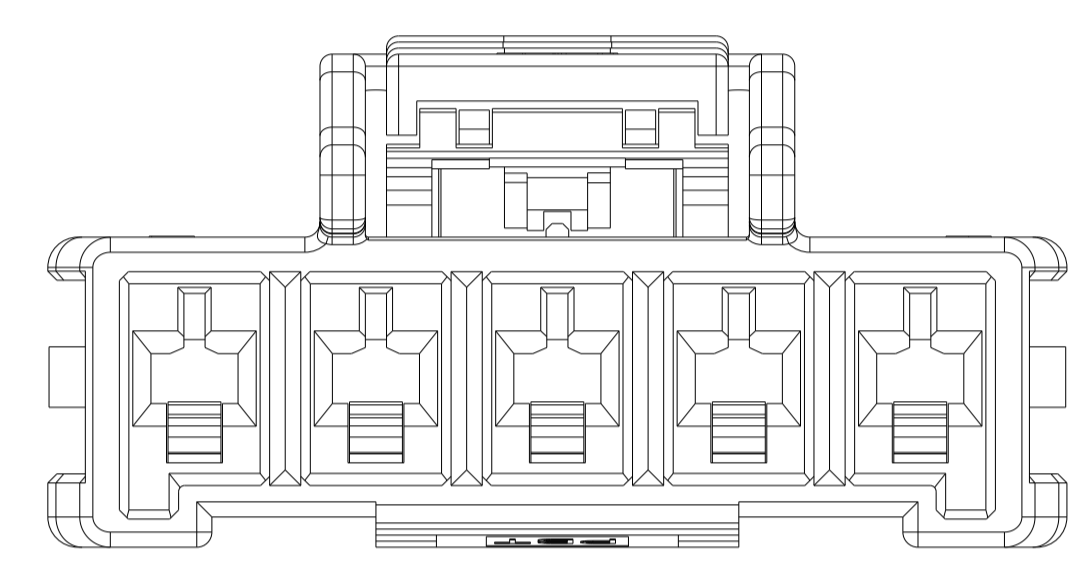
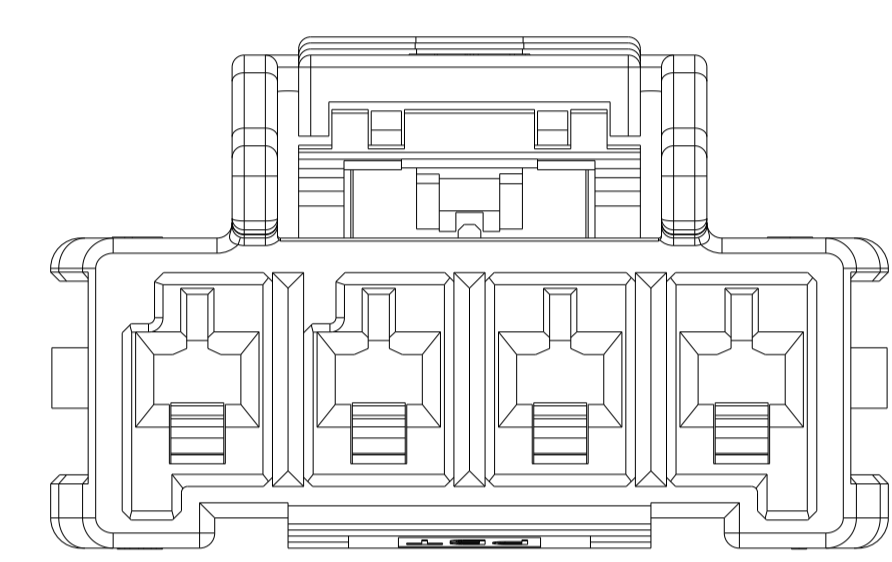
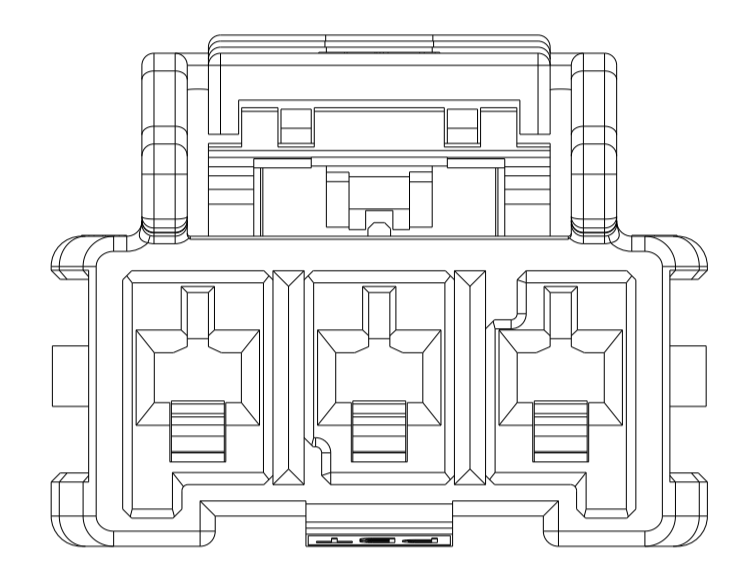
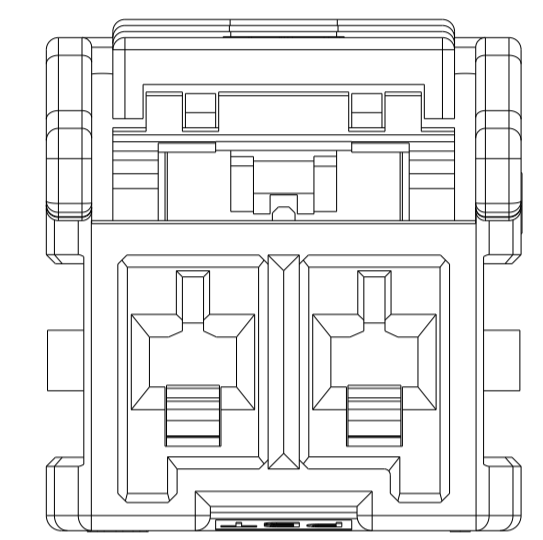
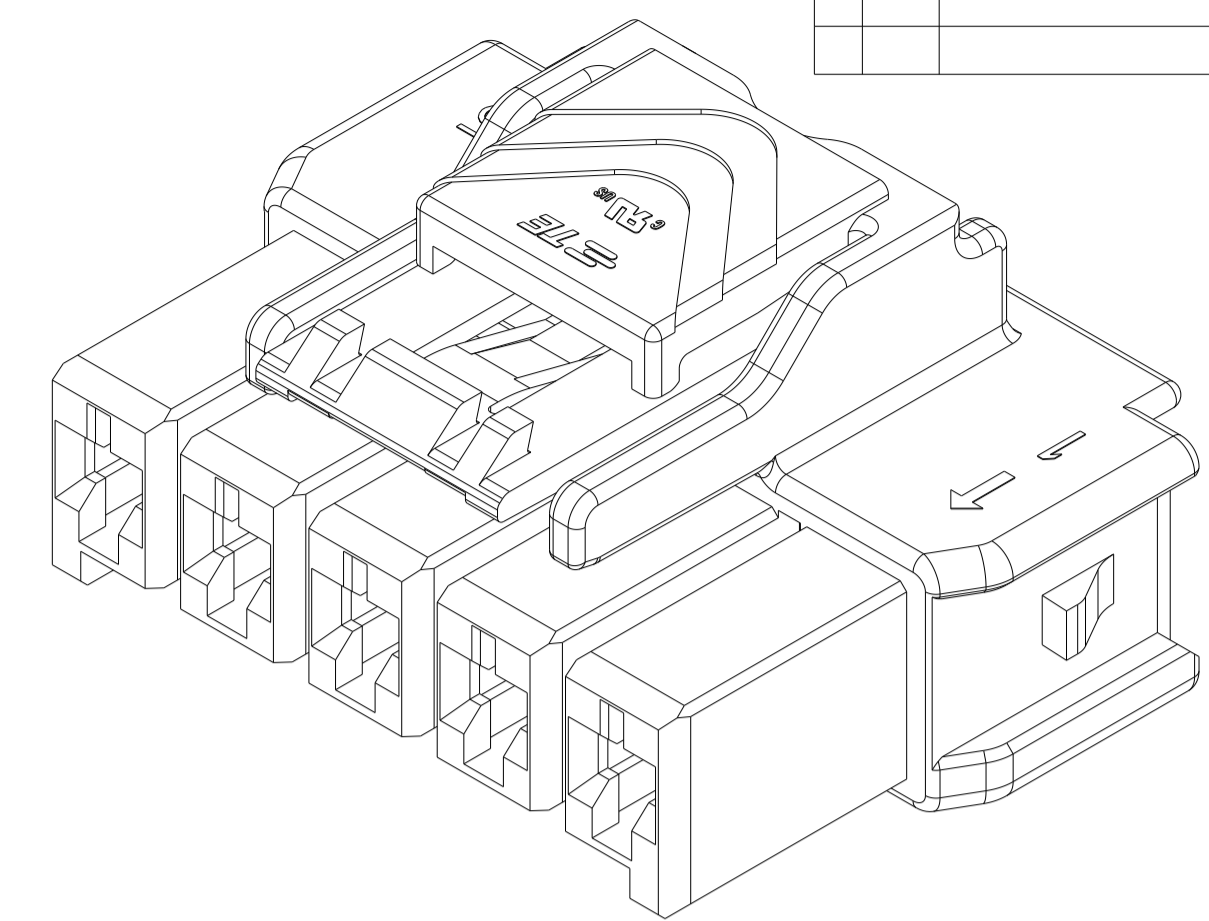
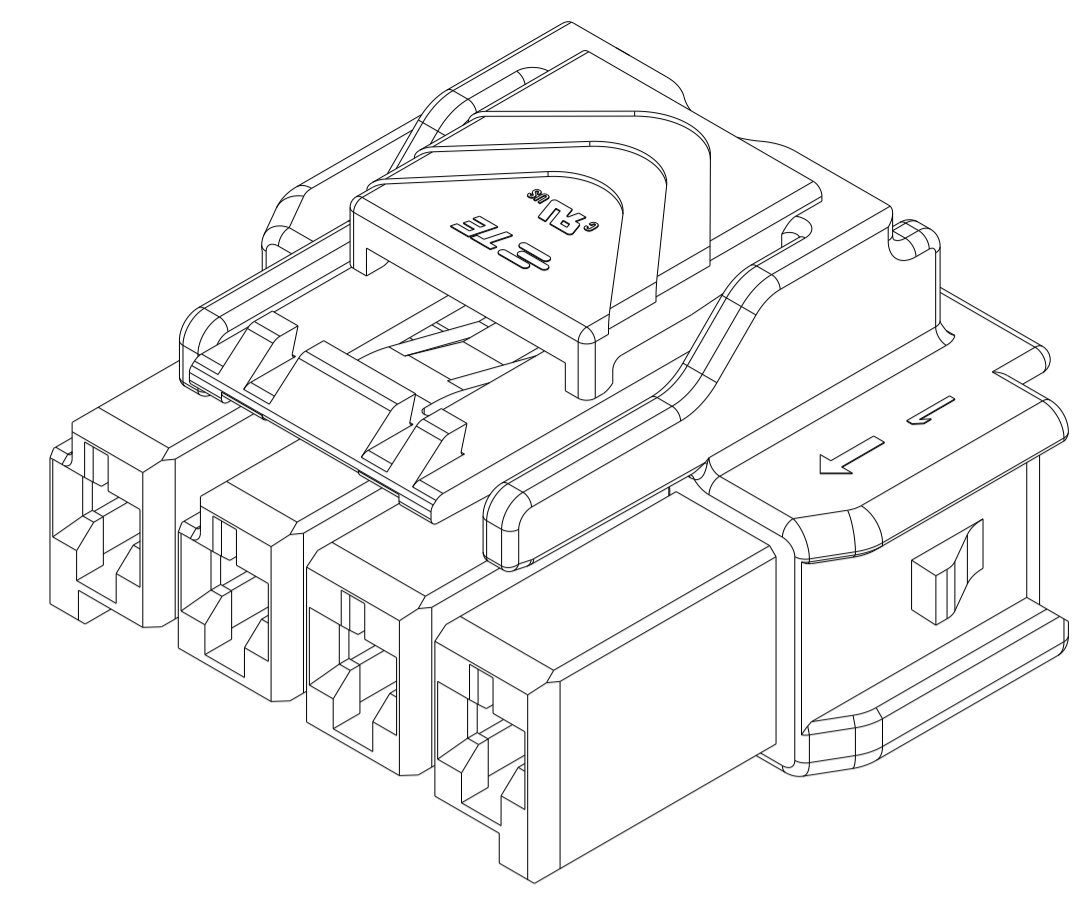
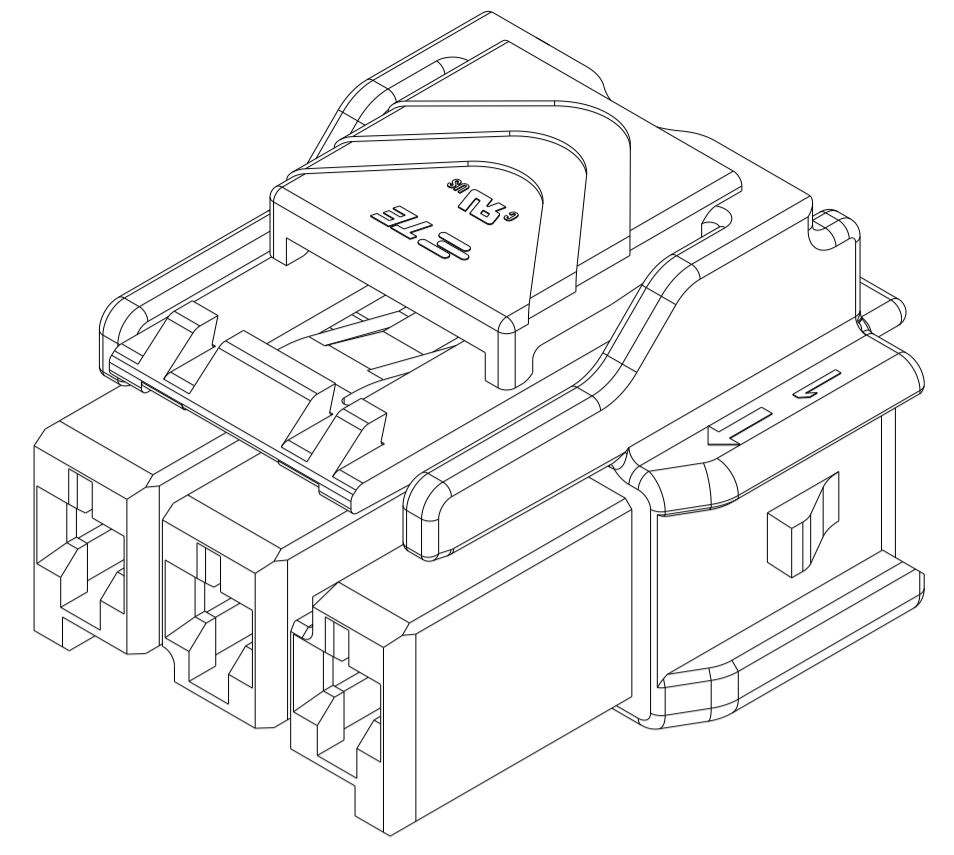
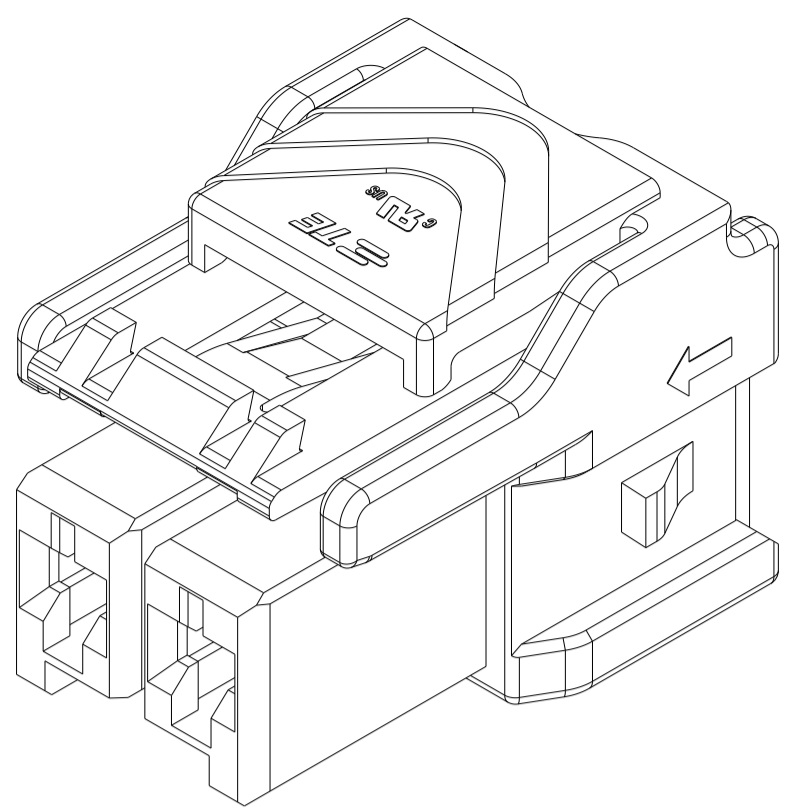
▲ MATERIAL MARK:
 LEVEL 1: PBT, LEVEL 2: HDT

- 3 APPLICABLE CONTACT P/N
 RECEPTACLE CONTACT: 1971237/1971779/81/83/85/87-* , 2238066-*
- 4 MATING CONN, P/N
 CAP HSG: *-1971772-* AND HEADERS: *-1969688-*, *-1969694-*,
 TPA (LOCKING PLATE): *-1971777-*
- 5 FLAMMABILITY RATED UL94 V-0

▲ GLOW WIRE COMPLIANT IN ACCORDANCE WITH IEC 60335-1
 THIS IS BASED ON THE PRODUCT MEETING A GWEPT 850°C TEST
 AND A RESIN GWIT >=775°C

| | | | |
|--|-------|----------------------------|--|
| THIS DRAWING IS A CONTROLLED DOCUMENT. | | DWN: TOMMY_WU 09JUL2012 | TE Connectivity |
| DIMENSIONS: mm | | CHK: HAPYE_WU 09JUL2012 | |
| TOLERANCES UNLESS OTHERWISE SPECIFIED: | | APVD: YUHONG_MAO 09JUL2012 | NAME: PLUG HOUSING, SINGLE ROW POWER TRIPLE LOCK |
| 0 PLC | ± | PRODUCT SPEC | 108-106118 |
| 1 PLC | ±0.35 | APPLICATION SPEC | 114-106118 |
| 2 PLC | ±0.25 | SIZE | A1 |
| 3 PLC | ± | CAGE CODE | 00779 |
| 4 PLC | ± | DRAWING NO | 1971773 |
| ANGLES | ± | WEIGHT | - |
| FINISH | - | Customer Drawing | SCALE 5:1 SHEET 1 OF 2 REV G |

| LOC | DIST | REVISIONS | | | |
|-----|------|-------------|------|-----|------|
| P | LTN | DESCRIPTION | DATE | OWN | APVD |
| - | - | SEE SHEET 1 | - | - | - |

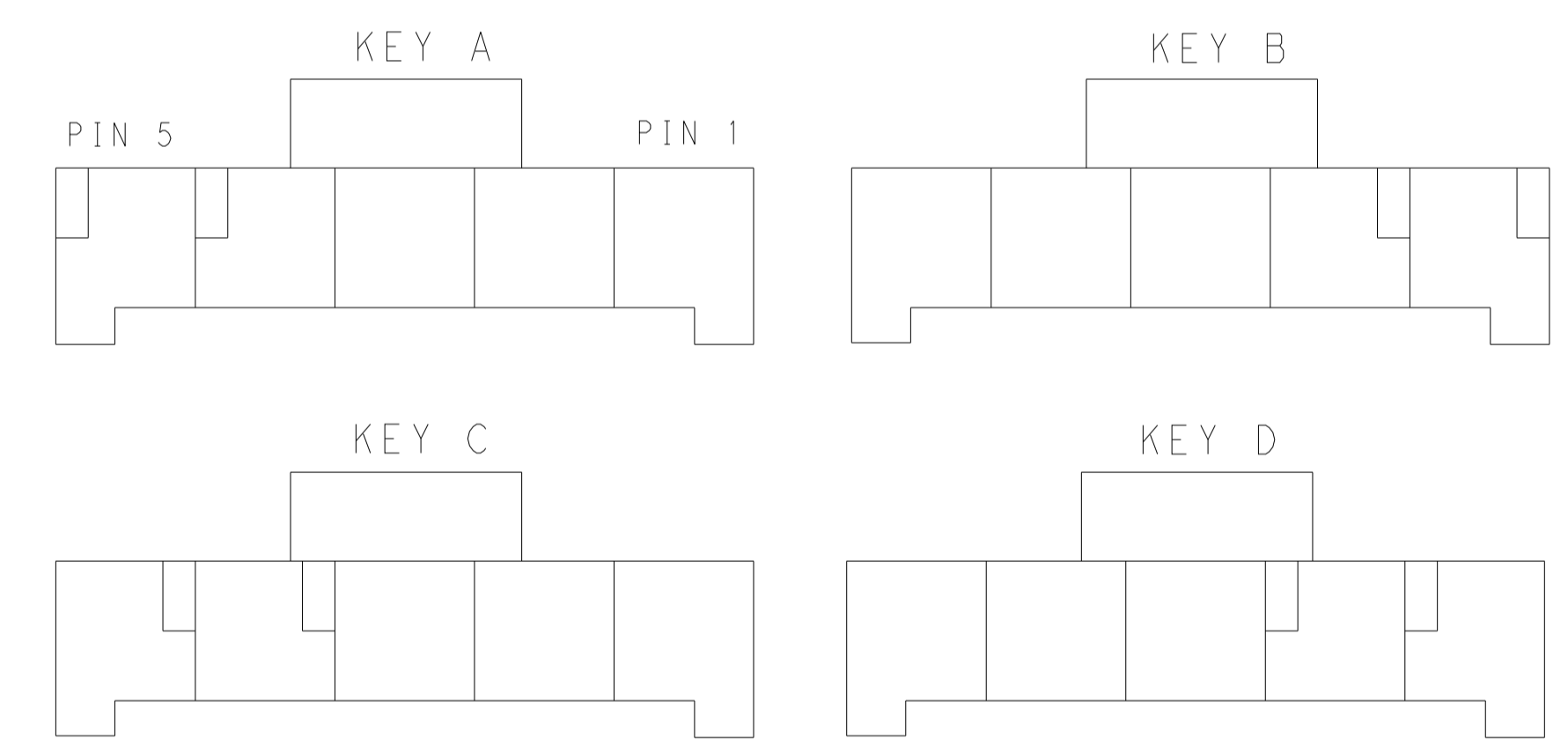
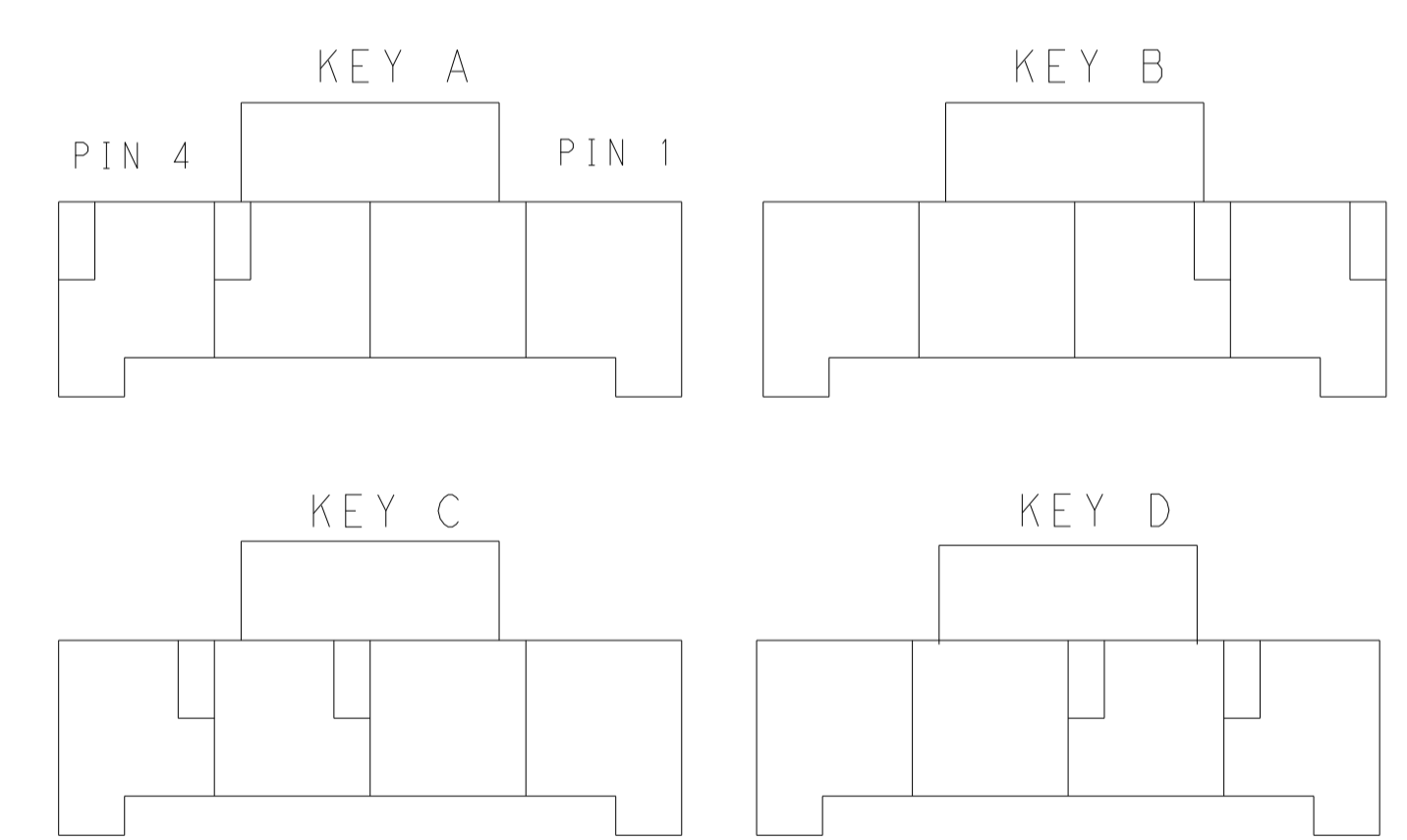
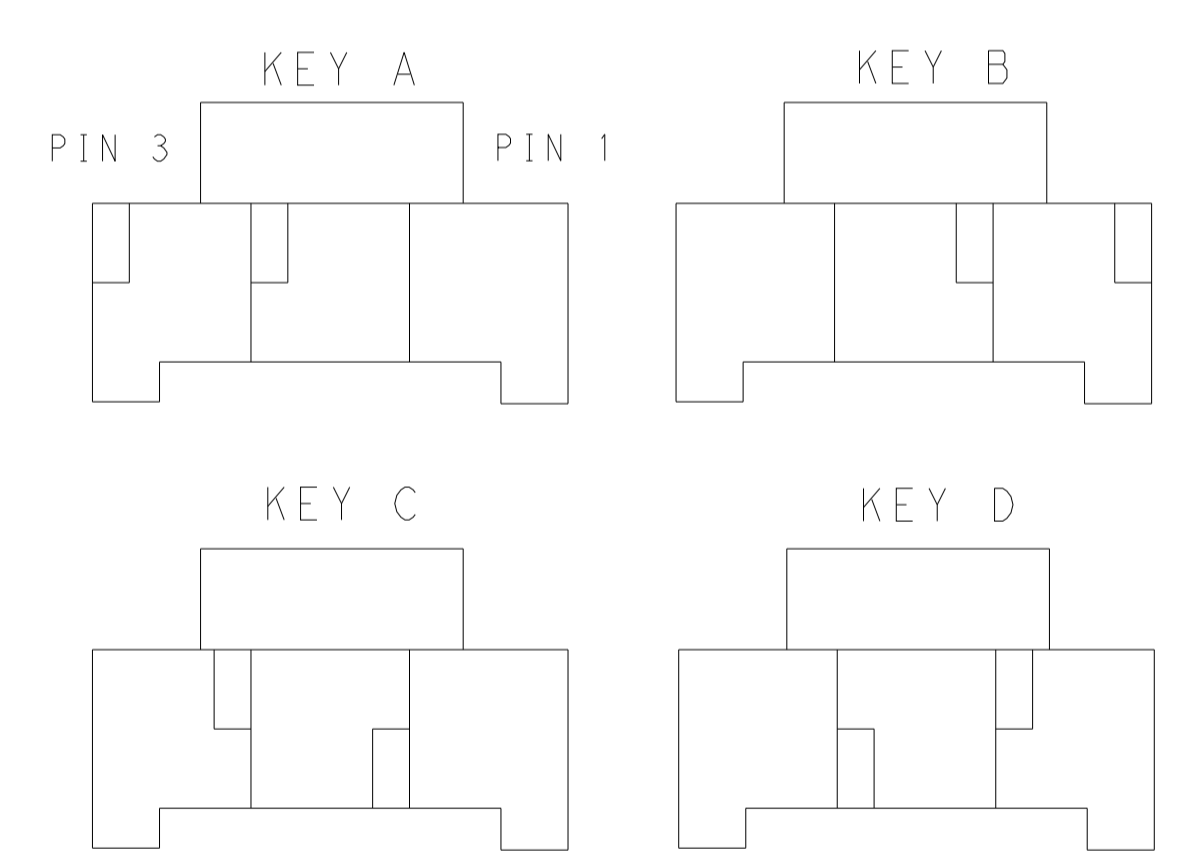
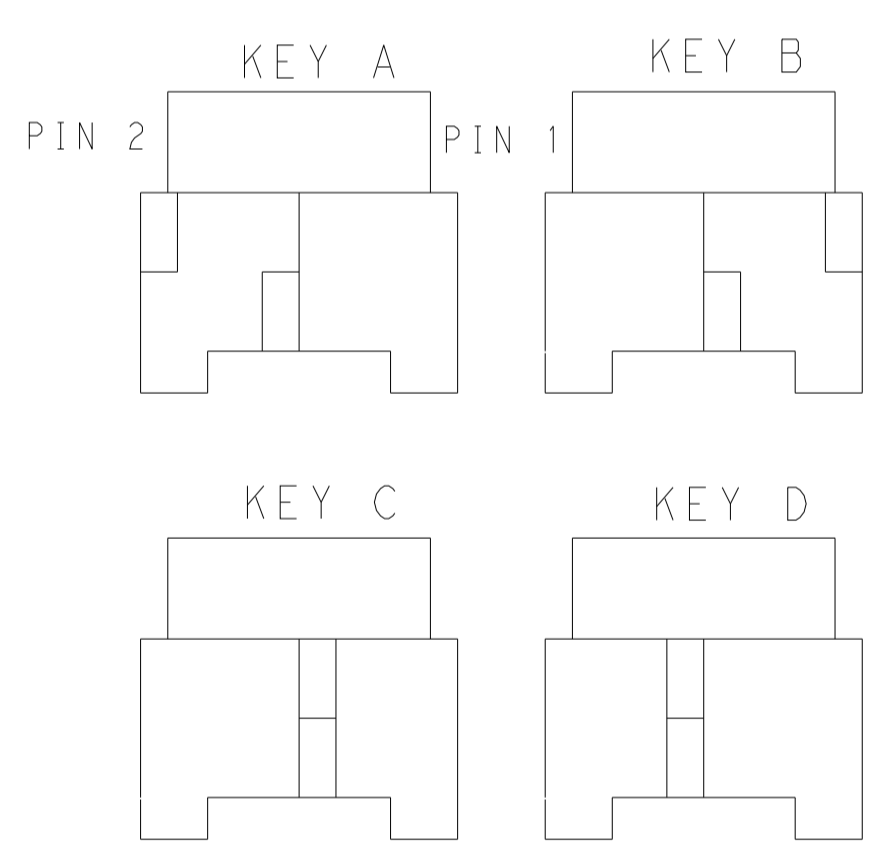


1*2 POSITIONS

1*3 POSITIONS

1*4 POSITIONS

1*5 POSITIONS



KEYING FOR 1*2 POS.

KEYING FOR 1*3 POS.

KEYING FOR 1*4 POS.

KEYING FOR 1*5 POS.

| POS. | MATERIAL | KEY | P/N |
|------|---------------|-------|-------------|
| 1*3 | LEVEL 1 | KEY A | 1-1971773-3 |
| | | KEY B | 2-1971773-3 |
| | | KEY C | 3-1971773-3 |
| | | KEY D | 4-1971773-3 |
| | LEVEL 2 △6 | KEY A | 5-1971773-3 |
| | | KEY B | 6-1971773-3 |
| | | KEY C | 7-1971773-3 |
| | | KEY D | 8-1971773-3 |
| 1*2 | LEVEL 1 | KEY B | 2-1971773-2 |
| | | KEY C | 3-1971773-2 |
| | | KEY D | 4-1971773-2 |
| | | KEY A | 1-1971773-2 |
| | LEVEL 2 △6 | KEY A | 9-1971773-2 |
| | | KEY B | 6-1971773-2 |
| | | KEY C | 7-1971773-2 |
| | | KEY D | 8-1971773-2 |

| POS. | MATERIAL | KEY | P/N |
|------|---------------|-------|-------------|
| 1*5 | LEVEL 1 | KEY A | 1-1971773-7 |
| | | KEY B | 2-1971773-7 |
| | | KEY C | 3-1971773-7 |
| | | KEY D | 4-1971773-7 |
| | LEVEL 2 △6 | KEY A | 5-1971773-7 |
| | | KEY B | 6-1971773-7 |
| | | KEY C | 7-1971773-7 |
| | | KEY D | 8-1971773-7 |
| 1*4 | LEVEL 1 | KEY B | 2-1971773-4 |
| | | KEY C | 3-1971773-4 |
| | | KEY D | 4-1971773-4 |
| | | KEY A | 1-1971773-4 |
| | LEVEL 2 △6 | KEY A | 5-1971773-4 |
| | | KEY B | 6-1971773-4 |
| | | KEY C | 7-1971773-4 |
| | | KEY D | 8-1971773-4 |

THIS DRAWING IS A CONTROLLED DOCUMENT.

| | | | | |
|-------------|---|-------------------------|--------------------------|------------------------------|
| DIMENSIONS: | TOLERANCES UNLESS OTHERWISE SPECIFIED: | OWN: TOMMY WU 09JUL2012 | CHK: HAPYE WU 09JUL2012 | APVD: YUHONG MAO 09JUL2012 |
| mm | 0 PLC ±- 1 PLC ±0.35 2 PLC ±0.25 3 PLC ±- 4 PLC ±- ANGLES ±- FINISH | NAME: YUHONG MAO | PRODUCT SPEC: 108-106118 | APPLICATION SPEC: 114-106118 |
| MATERIAL: | | SIZE: A1 | CAGE CODE: 00779 | DRAWING NO: C=1971773 |

Customer Drawing SCALE 5:1 SHEET 2 OF 2 REV G

STE TE Connectivity
 PLUG HOUSING, SINGLE ROW
 POWER TRIPLE LOCK

Mouser Electronics

Authorized Distributor

Click to View Pricing, Inventory, Delivery & Lifecycle Information:

[TE Connectivity:](#)

[4-1971773-4](#)