

REVISIONS					
P	LTR	DESCRIPTION	DATE	DWN	APVD
C		REVISED PER ECO-21-006544	19AUG2021	GSK	JB

SPECIFICATIONS:

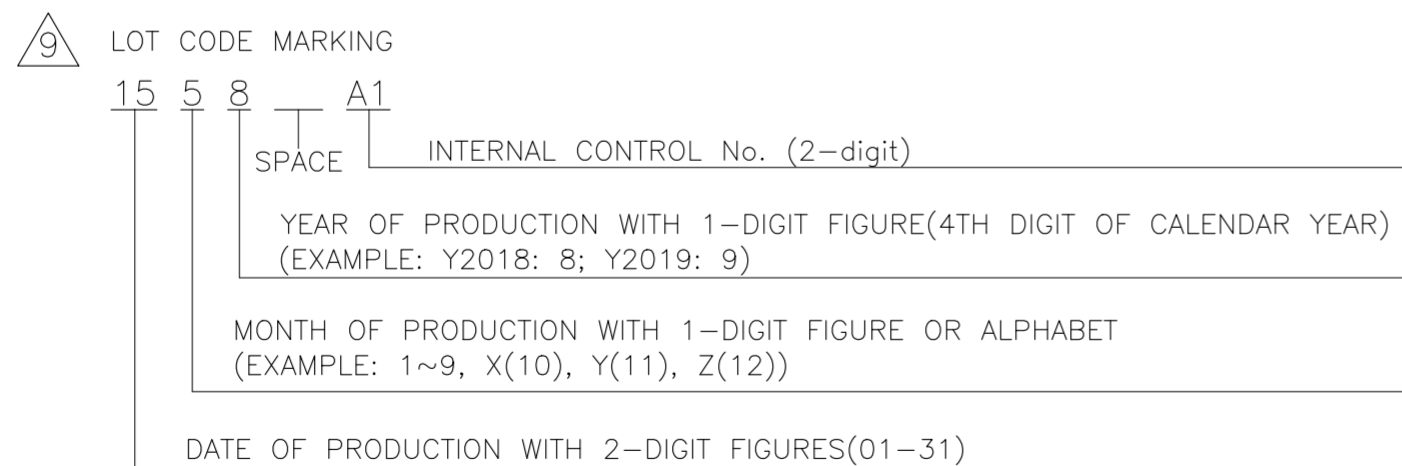
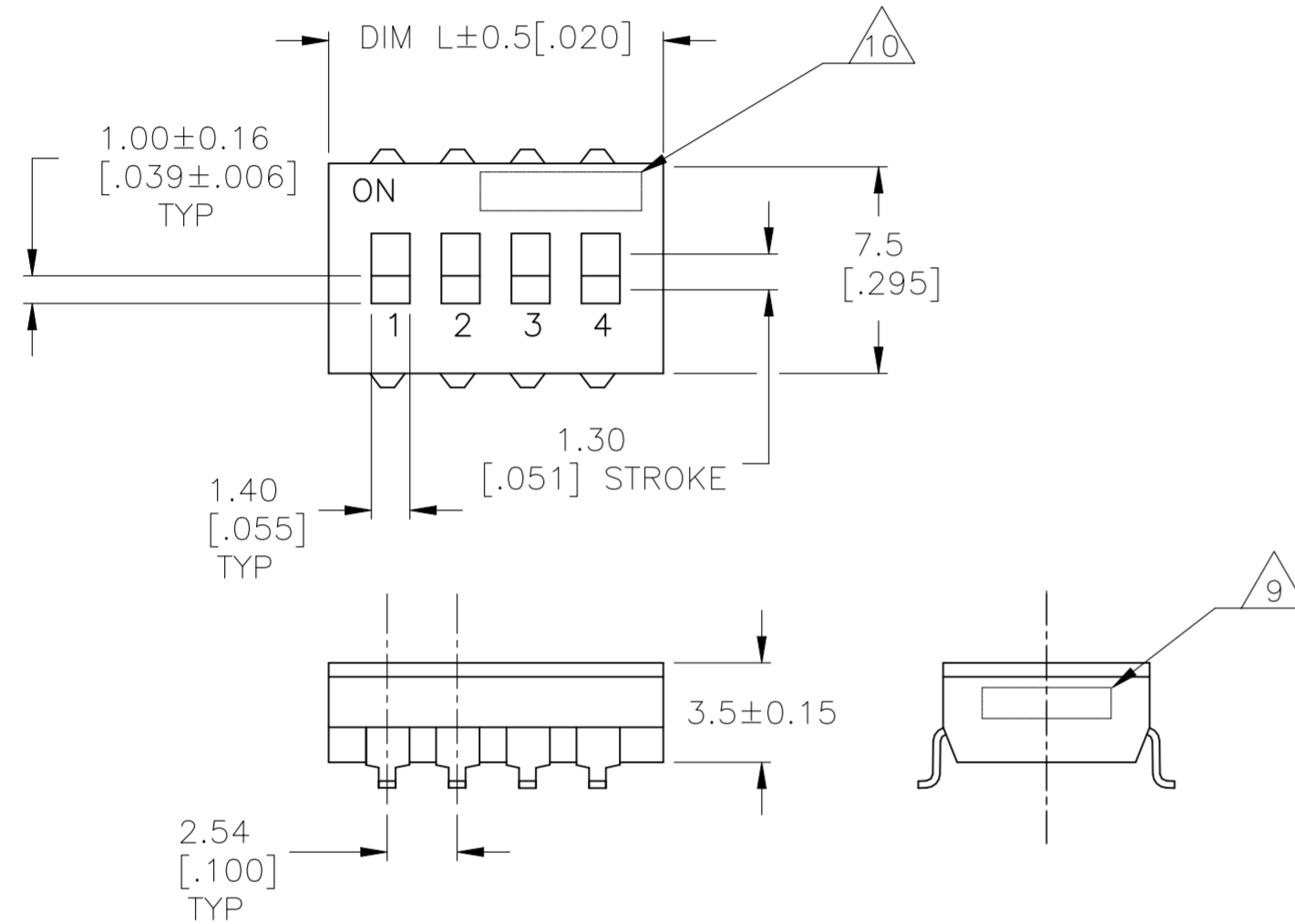
**MATERIAL**  
 BASE, PPS,UL94V-0, BLACK  
 COVER, PPS, UL94V-0, BLACK  
 ACTUATOR, PA6T, UL94V-0, WHITE  
 FIXED CONTACT/TERMINAL, CU ALLOY-GOLD FLASH OVER NICKEL  
 MOVING CONTACT, CU ALLOY, PLATE-GOLD FLASH/NICKEL  
 TAPE SEAL-POLYIMIDE FILM, AMBER, SEE P/N TABLE FOR OPTIONS

**ELECTRICAL**  
 MAX CONTACT RATING SWITCHING, -100mA @5VDC (Ampere max)  
 -25mA@24VDC (Voltage max).  
 MIN CONTACT RATING SWITCHING, .1MICROAMP @ 1 MILLIVOLT  
 MAX CONTACT NON-SWITCHING, 1AMP @ 5 VDC  
 INITIAL CONTACT RESISTANCE, 50 MILLIOHMS MAX.  
 CONTACT RESISTANCE (AFTER ENVIRONMENTAL TEST), 100 MILLIOHMS  
 CONTACT RESISTANCE (AFTER GAS TEST), 300 MILLIOHMS  
 INSULATION RESISTANCE, 100MΩ min@ 100VDC between the same poles  
 DIELECTRIC STRENGTH, 300V AC for 1 minute.  
 ELECTRICAL LIFE, 1,000 cycles (10mA@5VDC).  
 WITHSTAND VOLTAGE, 300VAC for 1 min between the same poles.

**MECHANICAL**  
 OPERATING FORCE, LESS THAN 800 GRAMS  
 CONTACT PRESSURE, 2.9N min

**ENVIRONMENTAL**  
 OPERATING TEMPERATURE, -30 TO +85 DEGREES C  
 STORAGE TEMPERATURE, -40 TO +85 DEGREES C  
 CLEANING, AQUEOUS OR SOLVENT  
 SOLDER HEAT RESISTANCE, PER 109-201, COND B, SWITCH "OFF".  
 SOLDERABILITY PER JIS C 0050 & JIS C 0053.

- 1 SWITCHES TO BE RECEIVED IN THE "OFF" POSITION AND PACKAGED IN CLEAR TUBES TO ACCOMMODATE AUTO-INSERTION OR PACKAGED ON TAPE AND REEL
- 2 TOP SURFACE TO BE CLEARLY MARKED AS SHOWN
- 3 SWITCHES TO BE BLACK WITH WHITE ACTUATORS AND MARKINGS.
- 4 TERMINAL OPTION: OLD T&B P/N ADExxS, SA OR SB  
 S= OUTSIDE "L" TERMINALS; SA= INSIDE "L" TERMINALS;  
 SB= BUTT TERMINALS
- 5 ALL MATERIALS AND FINISHES SHALL COMPLY WITH EU DIRECTIVE 2002/95/EC OF 27JAN2003 (ROHS)
- 6 TOP TAPE SEAL AVAILABLE, SEE TABLE FOR OPTIONS.
- 7 TAPE AND REEL PACKAGING PER EIA 481.
8. NOTE DELETED

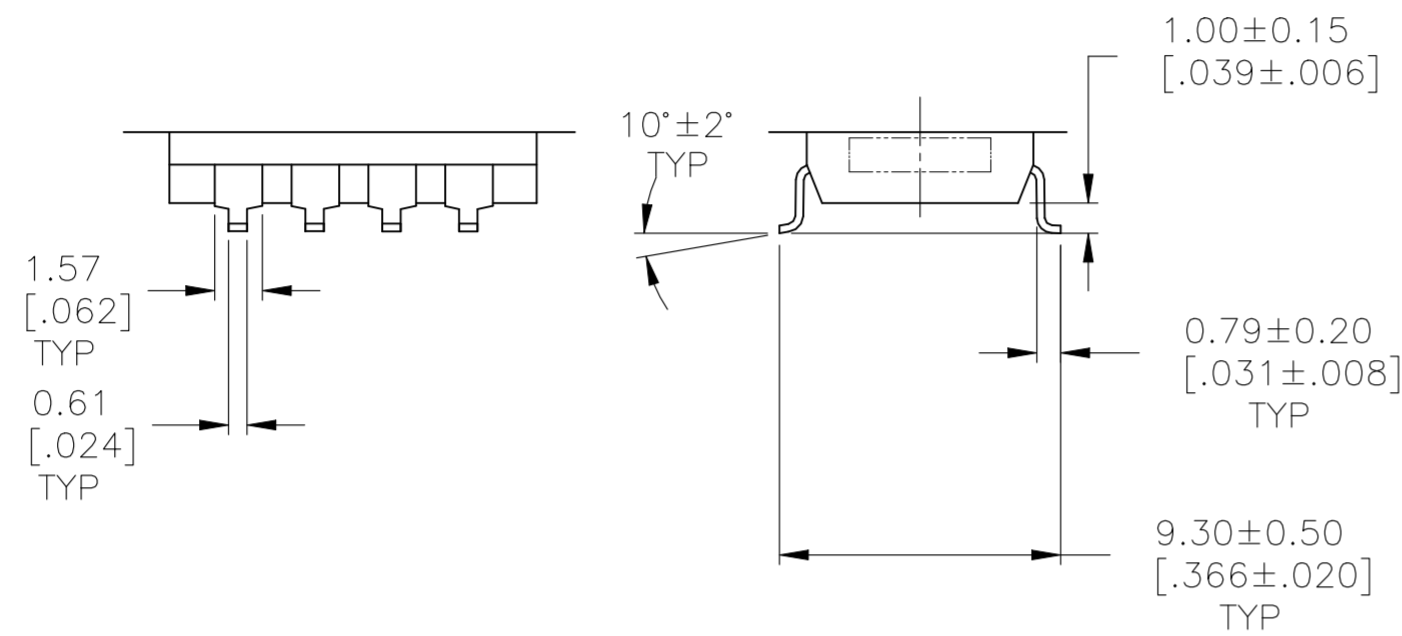


10 MARK ALCO PLUS FIRST 5 DIGITS PER T&B P/N.2 AND 3 POSITION SUPPLIED WITHOUT ALCO

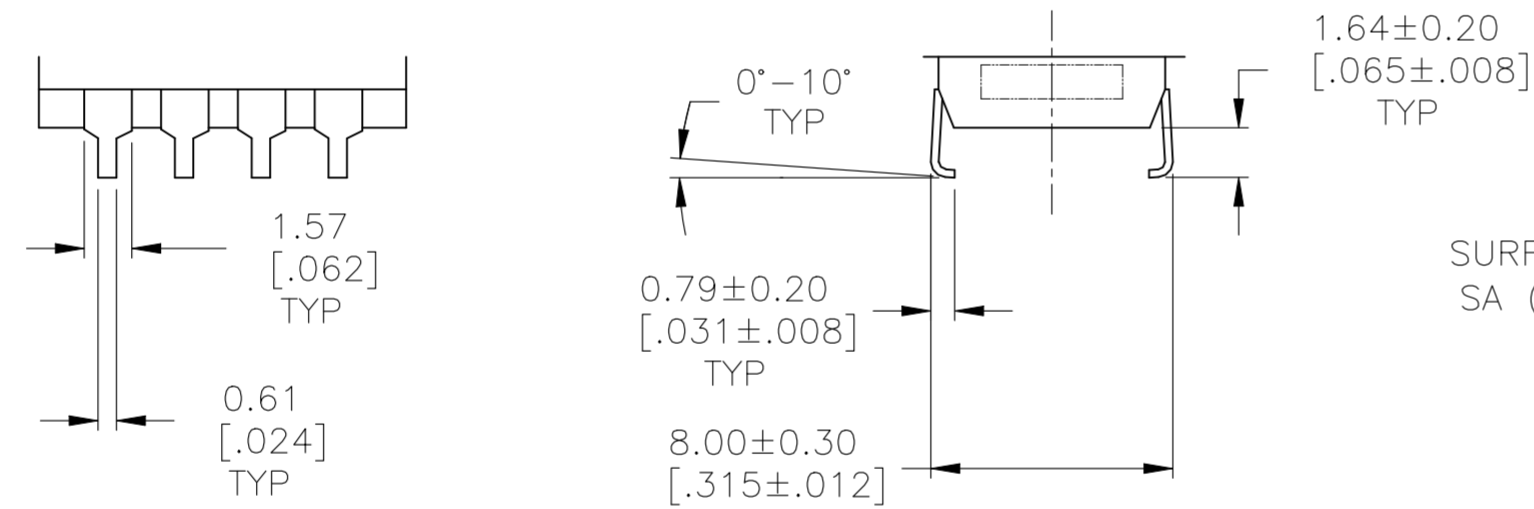
SEE SHEET 3 FOR PART NUMBER TABLE  
 SEE SHEET 2 FOR MOUNTING OPTIONS

THIS DRAWING IS A CONTROLLED DOCUMENT.		DWN B.S.VISWESWARA 11FEB05	TE Connectivity	
DIMENSIONS: mm [INCHES]		CHK M.SARVER	NAME	
TOLERANCES UNLESS OTHERWISE SPECIFIED:		APVD M.SARVER	DIP SWITCH, ADF-SMT SERIES	
0 PLC ± - 1 PLC ± - 2 PLC ± 0.30[0.12] 3 PLC ± - 4 PLC ± - ANGLES ± -		PRODUCT SPEC	SIZE A2	CAGE CODE -
MATERIAL		APPLICATION SPEC	DRAWING NO C=1825059	RESTRICTED TO -
FINISH		WEIGHT	SCALE 4:1	SHEET 1 of 3
		CUSTOMER DRAWING	REV C	

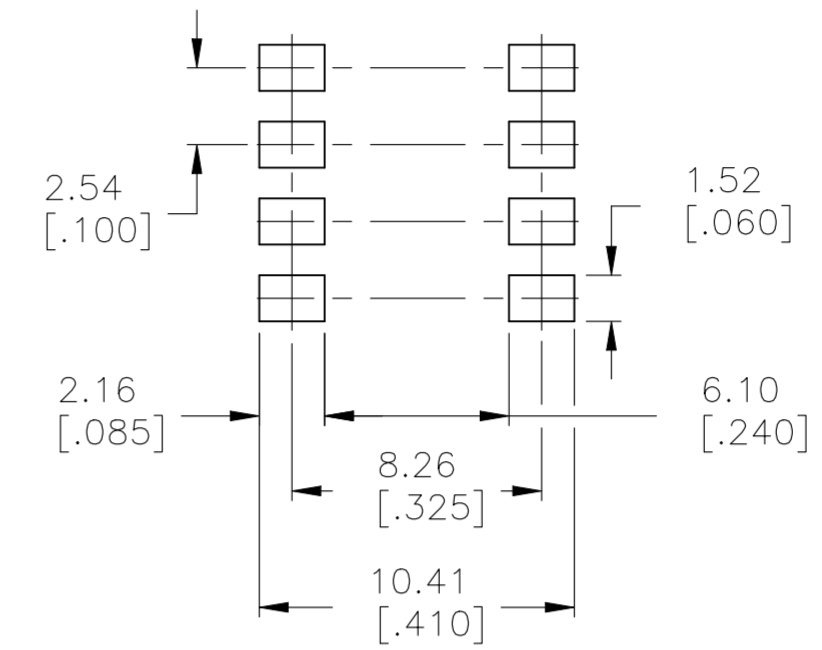
P	LTR	DESCRIPTION	DATE	DWN	APVD
-	-	SEE SHEET 1	-	-	-



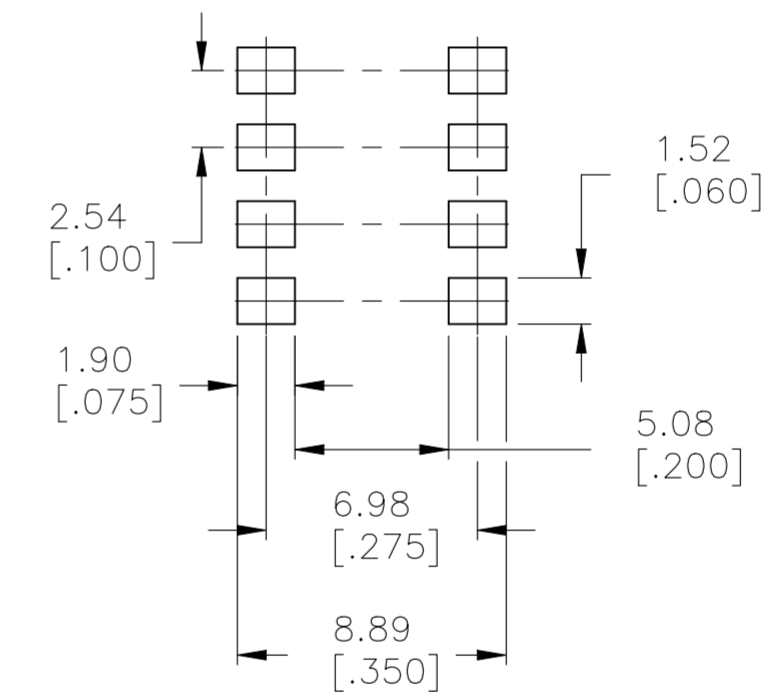
SURFACE MOUNT  
S (OUTSIDE "L")



SURFACE MOUNT  
SA (INSIDE "L")



RECOMMENDED PAD LAYOUT



RECOMMENDED PAD LAYOUT


THIS DRAWING IS A CONTROLLED DOCUMENT.		DWN B.S.VISWESWARA 11FEB05																				
DIMENSIONS: mm [INCHES]		CHK M.SARVER			NAME																	
TOLERANCES UNLESS OTHERWISE SPECIFIED:		APVD M.SARVER	DIP SWITCH, ADF-SMT SERIES																			
<table border="0"> <tr><td>0 PLC</td><td>±</td><td>-</td></tr> <tr><td>1 PLC</td><td>±</td><td>-</td></tr> <tr><td>2 PLC</td><td>±</td><td>0.30[.012]</td></tr> <tr><td>3 PLC</td><td>±</td><td>-</td></tr> <tr><td>4 PLC</td><td>±</td><td>-</td></tr> <tr><td>ANGLES</td><td>±</td><td>-</td></tr> </table>		0 PLC	±	-	1 PLC	±	-	2 PLC	±	0.30[.012]	3 PLC	±	-	4 PLC	±	-	ANGLES	±	-	PRODUCT SPEC -	SIZE A2	CAGE CODE -
0 PLC	±	-																				
1 PLC	±	-																				
2 PLC	±	0.30[.012]																				
3 PLC	±	-																				
4 PLC	±	-																				
ANGLES	±	-																				
MATERIAL -		FINISH -	DRAWING NO C=1825059	RESTRICTED TO -																		
CUSTOMER DRAWING			SCALE 4:1	SHEET 2 OF 3																		
			REV C																			

REVISIONS

P	LTR	DESCRIPTION	DATE	DWN	APVD
-	-	SEE SHEET 1	-	-	-

ADF09S04	24.54[.978]	NO	9	4-1825059-3
ADF08STTR04	22.30[.878]	YES	8	4-1825059-2
ADF08ST04	22.30[.878]	YES	8	4-1825059-1
ADF08SATTR04	22.30[.878]	YES	8	4-1825059-0
ADF08SAT04	22.30[.878]	YES	8	3-1825059-9
ADF08SA04	22.30[.878]	NO	8	3-1825059-8
ADF08S04	22.30[.878]	NO	8	3-1825059-7
ADF07STTR04	19.76[.778]	YES	7	3-1825059-6
ADF07ST04	19.76[.778]	YES	7	3-1825059-5
ADF07SATTR04	19.76[.778]	YES	7	3-1825059-4
ADF07SAT04	19.76[.778]	YES	7	3-1825059-3
ADF07SA04	19.76[.778]	NO	7	3-1825059-2
ADF07S04	19.76[.778]	NO	7	3-1825059-1
ADF06STTR04	17.22[.678]	YES	6	3-1825059-0
ADF06ST04	17.22[.678]	YES	6	2-1825059-9
ADF06SATTR04	17.22[.678]	YES	6	2-1825059-8
ADF06SAT04	17.22[.678]	YES	6	2-1825059-7
ADF06SA04	17.22[.678]	NO	6	2-1825059-6
ADF06S04	17.22[.678]	NO	6	2-1825059-5
ADF05STTR04	14.68[.578]	YES	5	2-1825059-4
ADF05ST04	14.68[.578]	YES	5	2-1825059-3
ADF05SATTR04	14.68[.578]	YES	5	2-1825059-2
ADF05SAT04	14.68[.578]	YES	5	2-1825059-1
ADF05SA04	14.68[.578]	NO	5	2-1825059-0
ADF05S04	14.68[.578]	NO	5	1-1825059-9
ADF04STTR04	12.14[.478]	YES	4	1-1825059-8
ADF04ST04	12.14[.478]	YES	4	1-1825059-7
ADF04SATTR04	12.14[.478]	YES	4	1-1825059-6
ADF04SAT04	12.14[.478]	YES	4	1-1825059-5
ADF04SA04	12.14[.478]	NO	4	1-1825059-4
ADF04S04	12.14[.478]	NO	4	1-1825059-3
ADF03STTR04	9.60[.378]	YES	3	1-1825059-2
ADF03ST04	9.60[.378]	YES	3	1-1825059-1
ADF03SATTR04	9.60[.378]	YES	3	1-1825059-0
ADF03SAT04	9.60[.378]	YES	3	1825059-9
ADF03SA04	9.60[.378]	NO	3	1825059-8
ADF03S04	9.60[.378]	NO	3	1825059-7
ADF02STTR04	7.06[.278]	YES	2	1825059-6
ADF02ST04	7.06[.278]	YES	2	1825059-5
ADF02SATTR04	7.06[.278]	YES	2	1825059-4
ADF02SAT04	7.06[.278]	YES	2	1825059-3
ADF02SA04	7.06[.278]	NO	2	1825059-2
ADF02S04	7.06[.278]	NO	2	1825059-1
T&B P/N	DIM L	SEAL	POS	PART NO.

ADF05STR04	14.68[.578]	NO	5	6-1825059-4
ADF10STR04	27.36[1.078]	NO	10	6-1825059-2
ADF03STR04	9.60[.378]	NO	3	6-1825059-1
ADF12STTR04	32.51[1.280]	YES	12	6-1825059-0
ADF12ST04	32.51[1.280]	YES	12	5-1825059-9
ADF12SATTR04	32.51[1.280]	YES	12	5-1825059-8
ADF12SAT04	32.51[1.280]	YES	12	5-1825059-7
ADF12SA04	32.51[1.280]	NO	12	5-1825059-6
ADF12S04	32.51[1.280]	NO	12	5-1825059-5
ADF10STTR04	27.36[1.078]	YES	10	5-1825059-4
ADF10ST04	27.36[1.078]	YES	10	5-1825059-3
ADF10SATTR04	27.36[1.078]	YES	10	5-1825059-2
ADF10SAT04	27.36[1.078]	YES	10	5-1825059-1
ADF10SA04	27.36[1.078]	NO	10	5-1825059-0
ADF10S04	27.36[1.078]	NO	10	4-1825059-9
ADF09STTR04	24.54[.978]	YES	9	4-1825059-8
ADF09ST04	24.54[.978]	YES	9	4-1825059-7
ADF09SATTR04	24.54[.978]	YES	9	4-1825059-6
ADF09SAT04	24.54[.978]	YES	9	4-1825059-5
ADF09SA04	24.54[.978]	NO	9	4-1825059-4
T&B P/N	DIM L	SEAL	POS	PART NO.

THIS DRAWING IS A CONTROLLED DOCUMENT.		DWN B.S.VISWESWARA	11FEB05	 TE Connectivity	
DIMENSIONS: mm [INCHES]		CHK M.SARVER	-		
TOLERANCES UNLESS OTHERWISE SPECIFIED:		APVD M.SARVER	-	NAME	
0 PLC ± -		PRODUCT SPEC	-	DIP SWITCH, ADF-SMT SERIES	
1 PLC ± -		APPLICATION SPEC	-	SIZE	CAGE CODE
2 PLC ± 0.30[.012]		WEIGHT	-	DRAWING NO	RESTRICTED TO
3 PLC ± -		MATERIAL	-	A2	-
4 PLC ± -		FINISH	-	C=1825059	
ANGLES ± -		CUSTOMER DRAWING	-	SCALE	SHEET
MATERIAL		CUSTOMER DRAWING		4:1	3 of 3
FINISH		CUSTOMER DRAWING		REV	C

# Mouser Electronics

Authorized Distributor

Click to View Pricing, Inventory, Delivery & Lifecycle Information:

[TE Connectivity:](#)

[ADF02SA04](#)