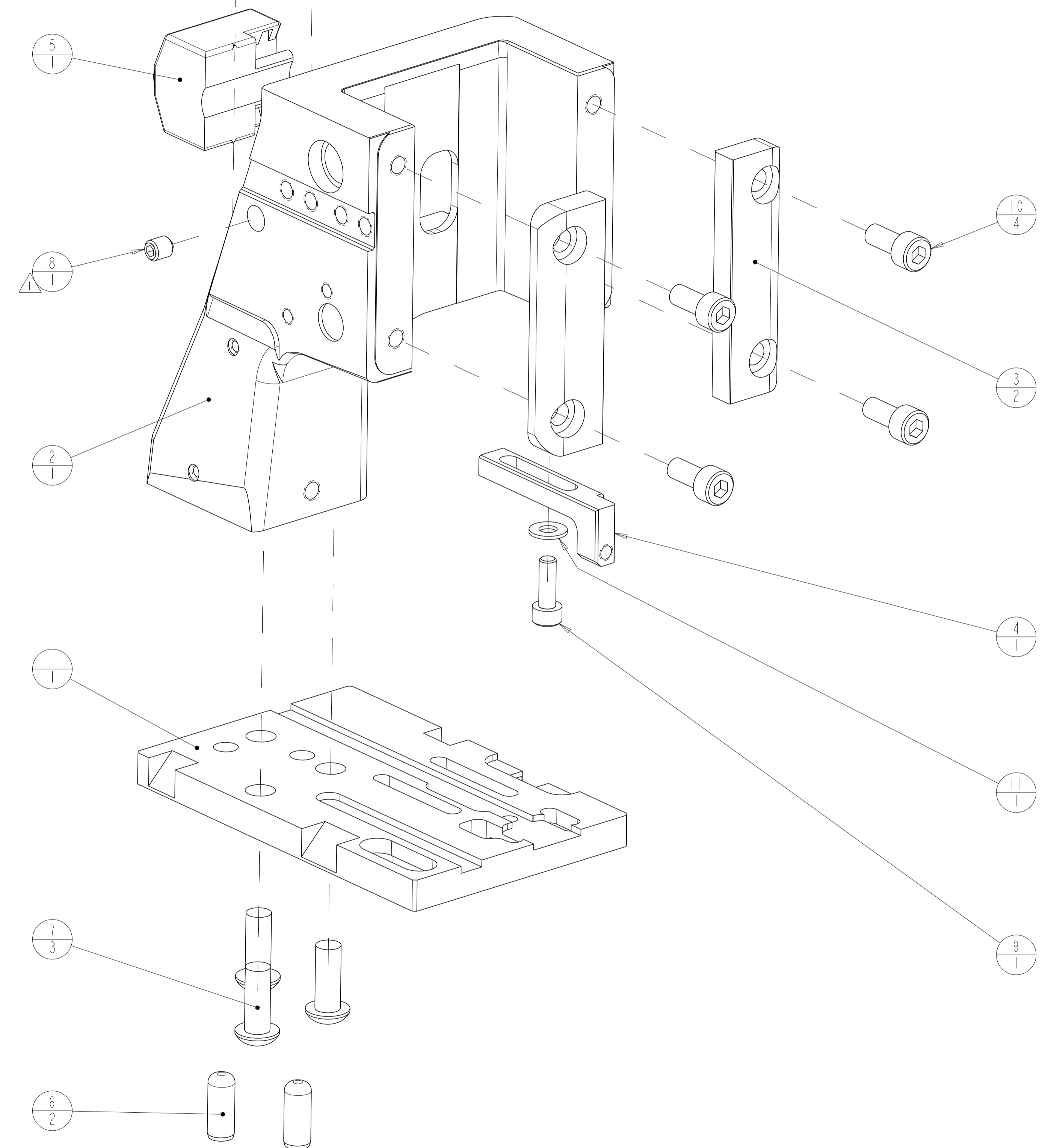


REVISIONS				
P.	LTN	DESCRIPTION	DATE	APVD
E		ECR-19-009160	11 JUN 2019	TB GB
E1		ADDED -43 AND -44	14 AUG 2019	MEH GB
E2		ADDED -45 AND -46	26 JAN 2021	RK GB
E3		ADDED-47	16 JUN 2021	JWC TE



⚠ TIGHTEN SET SCREW 1/4 TURN AFTER IT FIRST COMES INTO CONTACT WITH COUNTER.
 ⚠ THIS SUB-ASSEMBLY TO RUN ON THE FOLLOWING:
 KOMAX BT700 SSC
 KIRSTEN K750 STRIPPER CRIMPER SC
 PAWO BIG STRIPPER/SEALER/CRIMPER
 SCHLEUNIGER STRIP CRIMP Ø75

THIS DRAWING IS A CONTROLLED DOCUMENT.		OWN D. J. GOOD 18-Oct-18		
DIMENSIONS:		CHK J. STACHURA 18-Oct-18		
mm	TOLERANCES UNLESS OTHERWISE SPECIFIED:	APVD J. STACHURA 18-Oct-18	NAME APPLICATOR BASIC ASSEMBLY, SF	
0 PLC	±	PRODUCT SPEC	SIZE	
1 PLC	±0.5	APPLICATION SPEC	CAGE CODE	
2 PLC	±0.13	WEIGHT	DRAWING NO	
3 PLC	±0.013	CUSTOMER DRAWING	A100779C=1803583	
4 PLC	±	SCALE	3:2	
ANGLES	±	SHEET	1 OF 2	
FINISH	±	REV	E3	

Mouser Electronics

Authorized Distributor

Click to View Pricing, Inventory, Delivery & Lifecycle Information:

[TE Connectivity:](#)

[1-2844912-2](#)