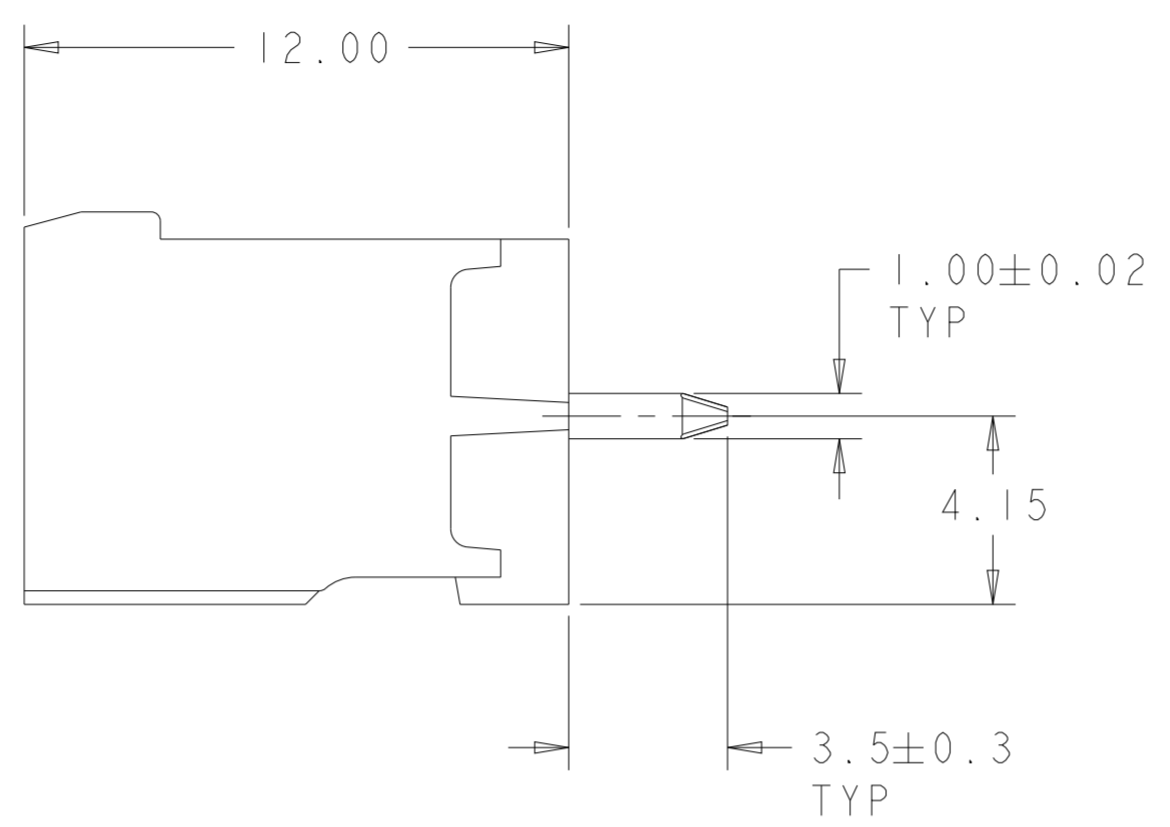
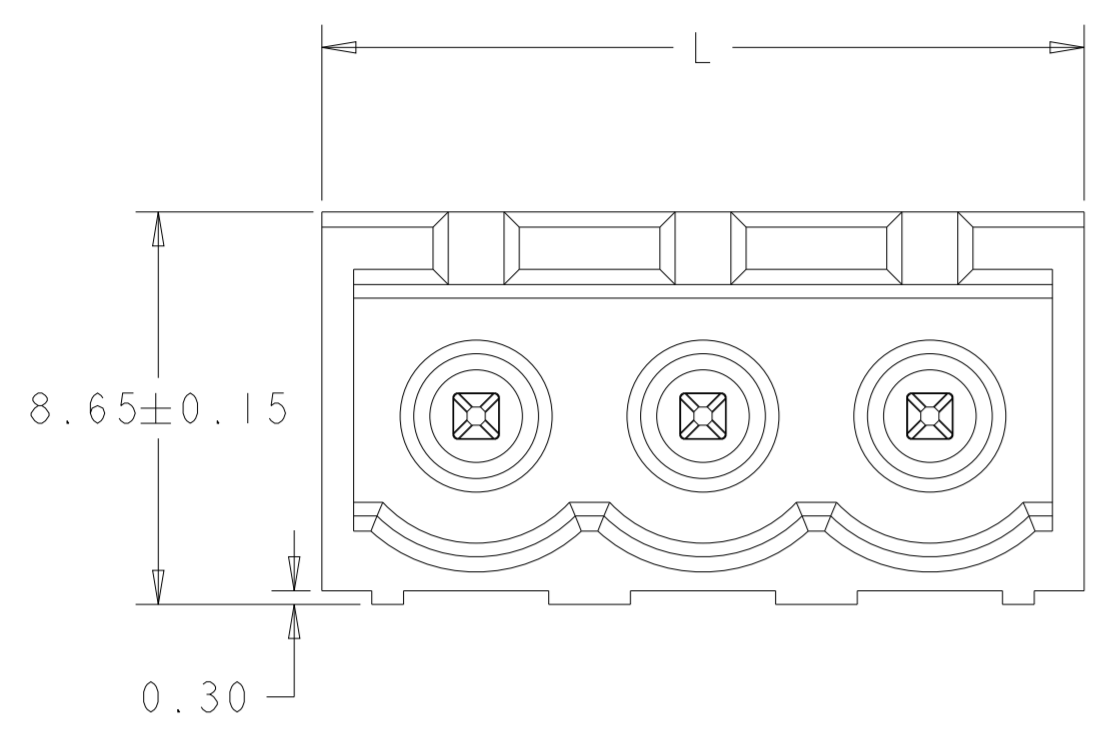
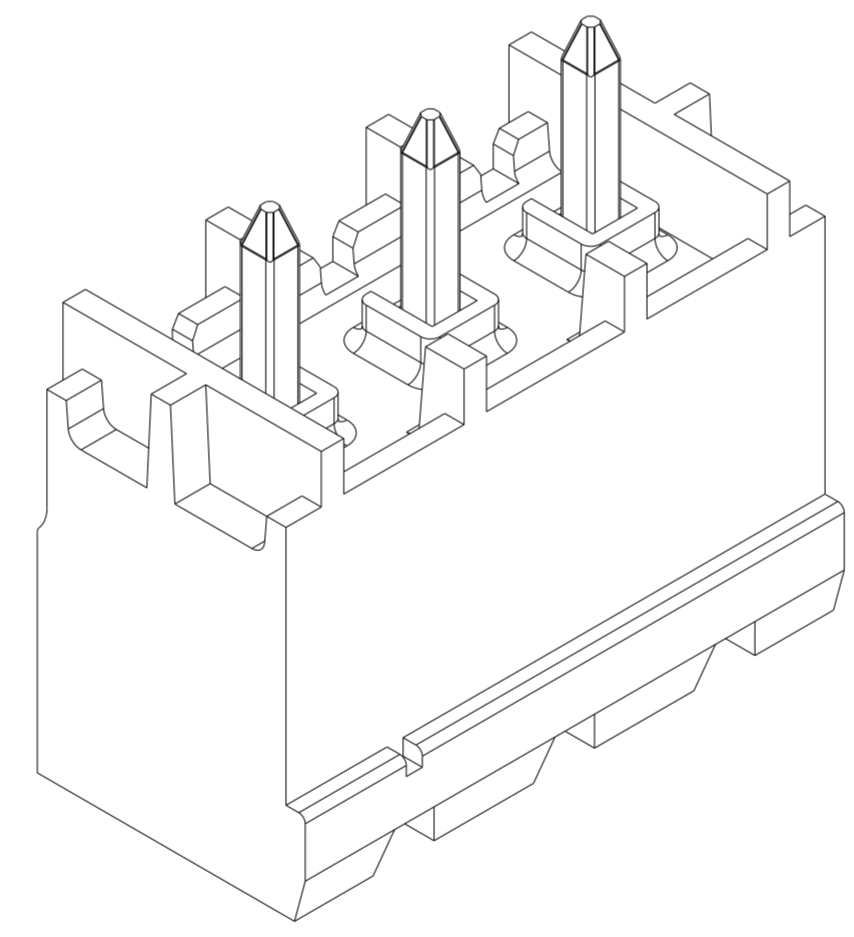
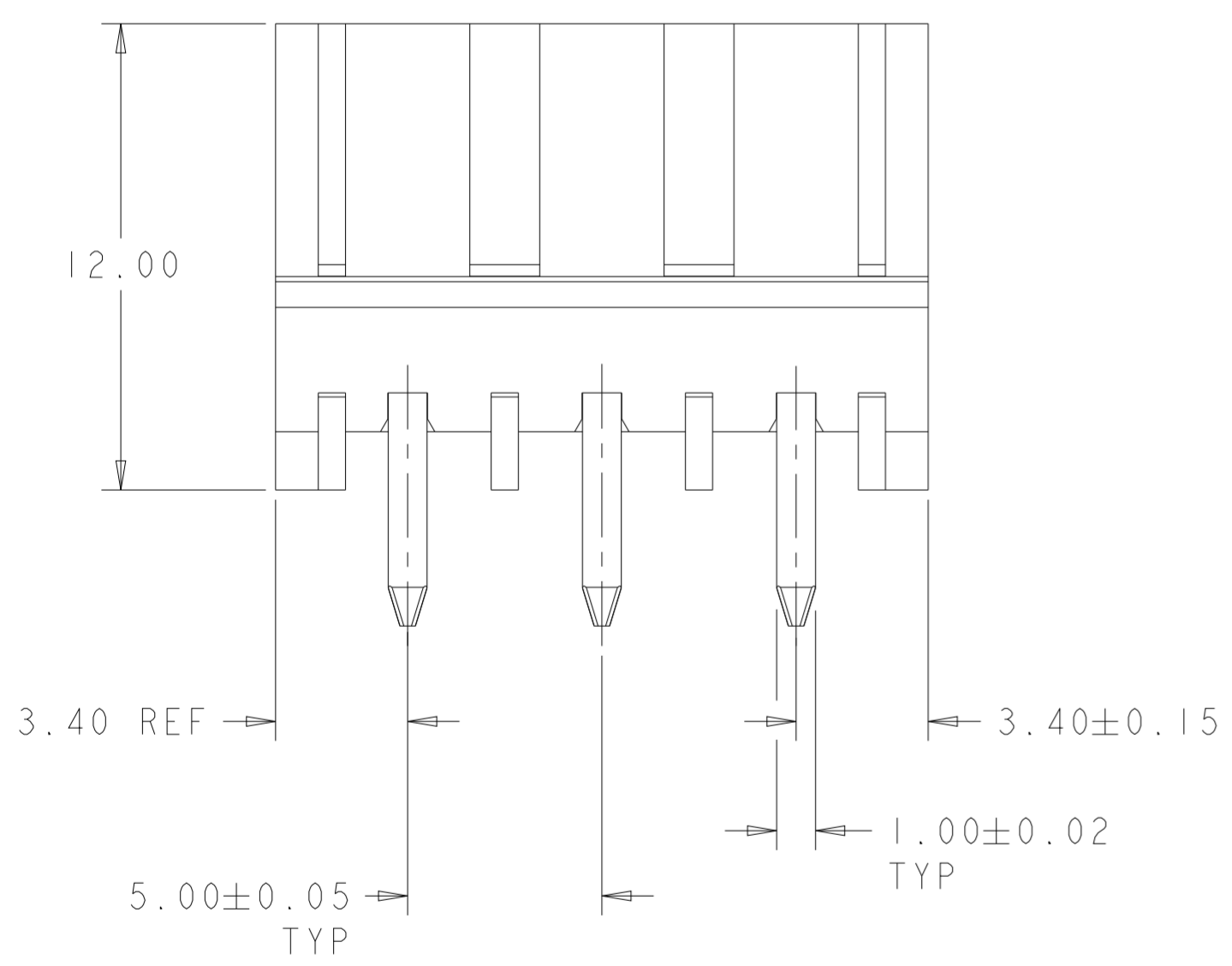


| REVISIONS | | | | |
|-----------|-----|---------------------------------------|-----------|-------|
| P | LTR | DESCRIPTION | DATE | APVD |
| A3 | | PN 2-1776146-8 RELEASED TO PRODUCTION | 25NOV2019 | RK PS |
| A4 | | PARTS MARKED OBSOLETE | 05JUL2021 | SB SS |
| | | | | |
| | | | | |

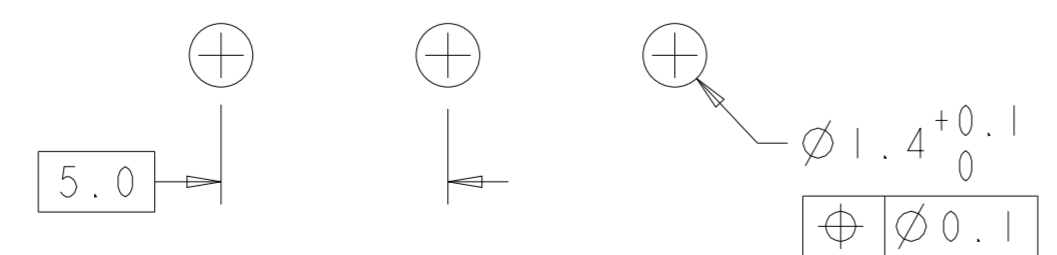


- MATERIALS & FINISH
HOUSING : HIGH TEMPERATURE POLYAMIDE, UL 94V-0 RATED, COLOR: BLACK
CONTACT : COPPER ALLOY, TIN PLATED
- MECHANICAL
MIN. PC BOARD HOLES DIAMETER : 1.4 mm.
MAX. PC BOARD THICKNESS : 2.4 mm.
- ELECTRICAL
WIRE RANGE : 12 - 30 AWG
MAX. VOLTAGE : 300 V
MAX CURRENT : 15 A
CONTACT RESISTANCE : <15 m Ohm
INSULATION RESISTANCE : >1000 M Ohm (500V DC)
- OPERATING TEMPERATURE RANGE: -40°C TO +105°C
- TOLERANCE NOT CUMULATIVE.
- RECOGNIZED UNDER THE COMPONENT PROGRAM OF UNDERWRITERS LABORATORIES INC. FILE NO E60677.

- △7 △8 TAPE AND REEL PACKAGING
- △8 OBSOLETE



| | | | | |
|----------------|--------------|------|------------|--------------|
| △7 △8 | SEE FIGURE C | 31.8 | 6 | -2-1776146-8 |
| △7 △8 | SEE FIGURE B | 21.8 | 4 | -2-1776146-7 |
| △7 △8 | SEE FIGURE A | 16.8 | 3 | -2-1776146-6 |
| | | 61.8 | 12 | 1-1776146-2 |
| | | 56.8 | 11 | 1-1776146-1 |
| | | 51.8 | 10 | 1-1776146-0 |
| | | 46.8 | 9 | 1776146-9 |
| | | 41.8 | 8 | 1776146-8 |
| | | 36.8 | 7 | 1776146-7 |
| | | 31.8 | 6 | 1776146-6 |
| | | 26.8 | 5 | 1776146-5 |
| | | 21.8 | 4 | 1776146-4 |
| | | 16.8 | 3 | 1776146-3 |
| | | 11.8 | 2 | 1776146-2 |
| NOTES/COMMENTS | | L | NO OF POSN | PART NUMBER |



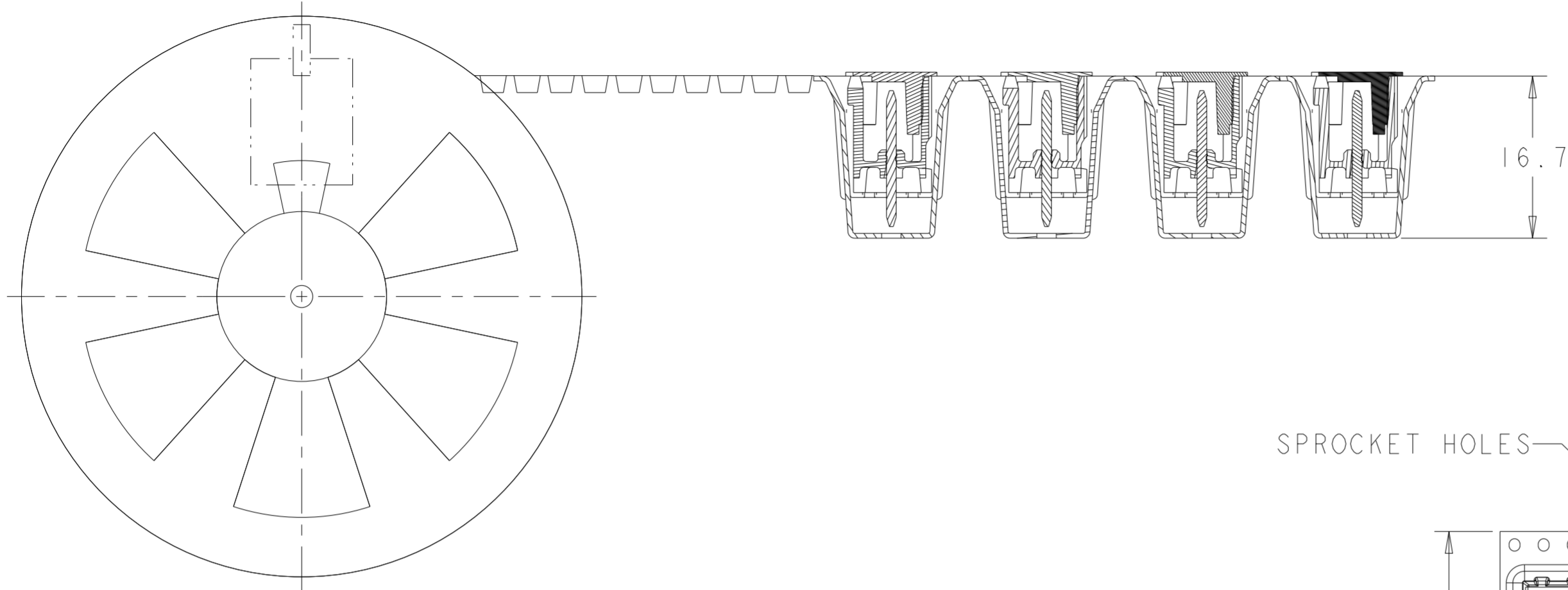
RECOMMENDED PC BOARD LAYOUT

THIS DRAWING IS A CONTROLLED DOCUMENT.

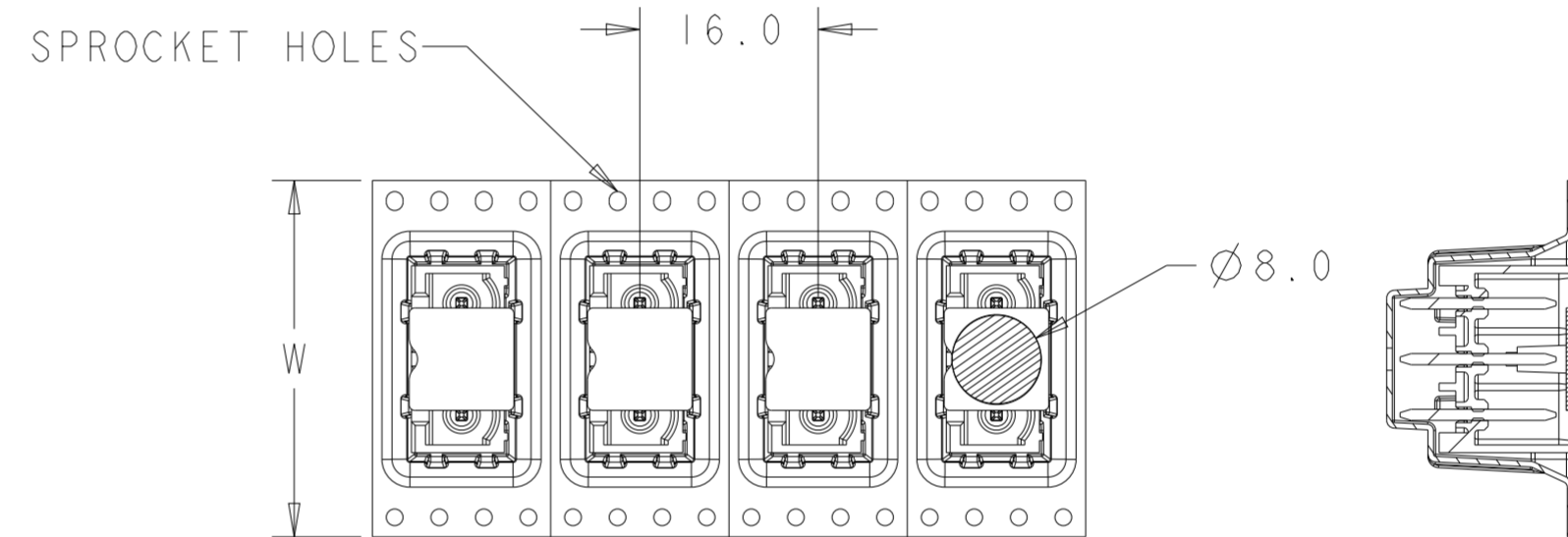
| | | | |
|--------------------|--|--|--|
| DIMENSIONS: mm | TOLERANCES UNLESS OTHERWISE SPECIFIED: 0 PLC ± 1 PLC ±0.5 2 PLC ±0.25 3 PLC ± 4 PLC ± ANGLES ± FINISH | DWN S. WELDON 06 JUN 2005 CHK C. RICHARD 06 JUN 2005 APVD C. RICHARD 06 JUN 2005 | NAME TERMINAL BLOCK HEADER ASSEMBLY 180 DEGREE, CLOSED ENDS, 5.00mm PITCH 5.00mm PITC |
| MATERIAL SEE NOTES | SEE NOTES | PRODUCT SPEC APPLICATION SPEC WEIGHT | SIZE A2 CAGE CODE 00779 DRAWING NO C-1776146 RESTRICTED TO |
| CUSTOMER DRAWING | | SCALE 6:1 | SHEET 1 OF 2 REV A4 |

TE Connectivity

| P | LTR | DESCRIPTION | DATE | DWN | APVD |
|---|-----|-------------|------|-----|------|
| - | | SEE SHEET 1 | - | - | - |
| | | | | | |
| | | | | | |



FOR TAPE AND REEL PARTS.



| | |
|------------|-------|
| 6 | 56.0 |
| 4 | 44.0 |
| 3 | 32.0 |
| NUMBER POS | DIM W |

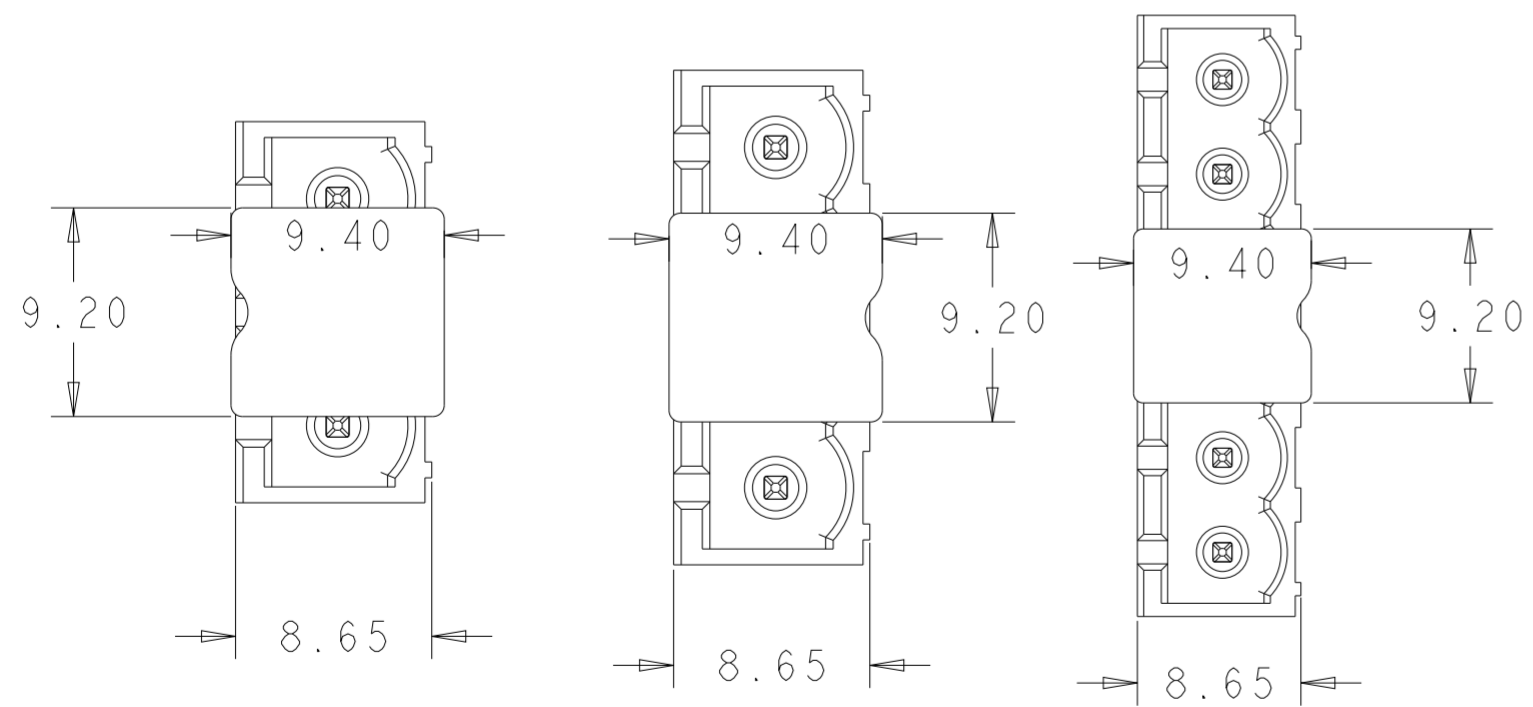


FIGURE A

FIGURE B

FIGURE C

| | | | | |
|--|--|-----------------------------------|--|--------------------|
| THIS DRAWING IS A CONTROLLED DOCUMENT. | | DWN S. WELDON 06 JUN 2005 | TE Connectivity | |
| DIMENSIONS: mm | | CHK C. RICHARD 06 JUN 2005 | | |
| TOLERANCES UNLESS OTHERWISE SPECIFIED: | | APVD C. RICHARD 06 JUN 2005 | NAME TERMINAL BLOCK HEADER ASSEMBLY 180 DEGREE, CLOSED ENDS, 5.00mm PITCH 5.00mm PITC | |
| 0 PLC ± 1 PLC ±0.5 2 PLC ±0.25 3 PLC ± 4 PLC ± ANGLES ± FINISH ± | | PRODUCT SPEC - | SIZE A2 | CAGE CODE 00779 |
| MATERIAL SEE NOTES | | APPLICATION SPEC - | DRAWING NO C-1776146 | RESTRICTED TO |
| WEIGHT - | | CUSTOMER DRAWING | SCALE 6:1 | SHEET 2 OF 2 |
| | | | | REV A4 |

Mouser Electronics

Authorized Distributor

Click to View Pricing, Inventory, Delivery & Lifecycle Information:

[TE Connectivity:](#)

[1776146-7](#)