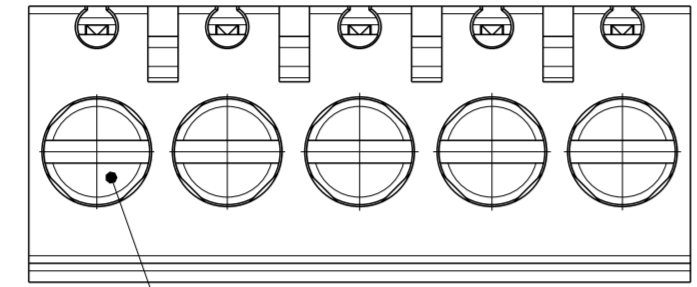
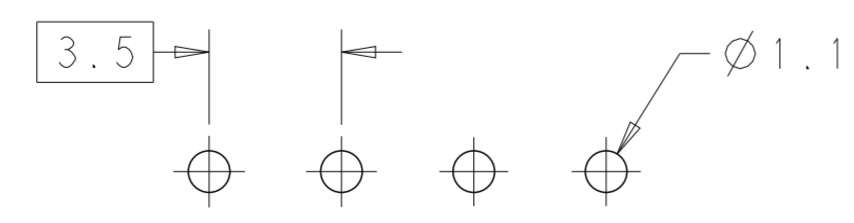
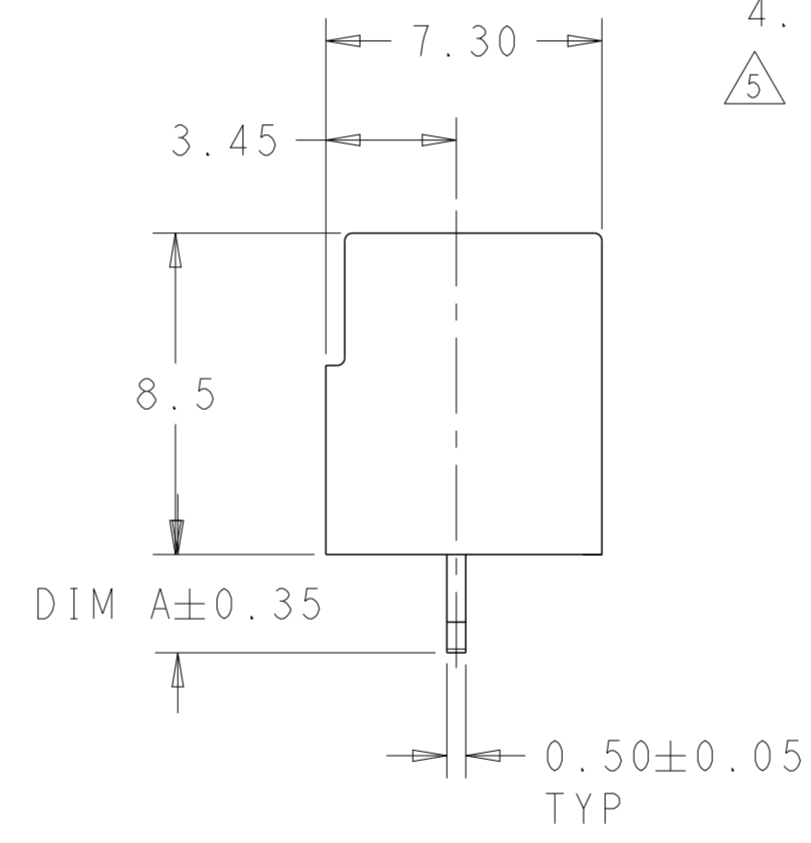
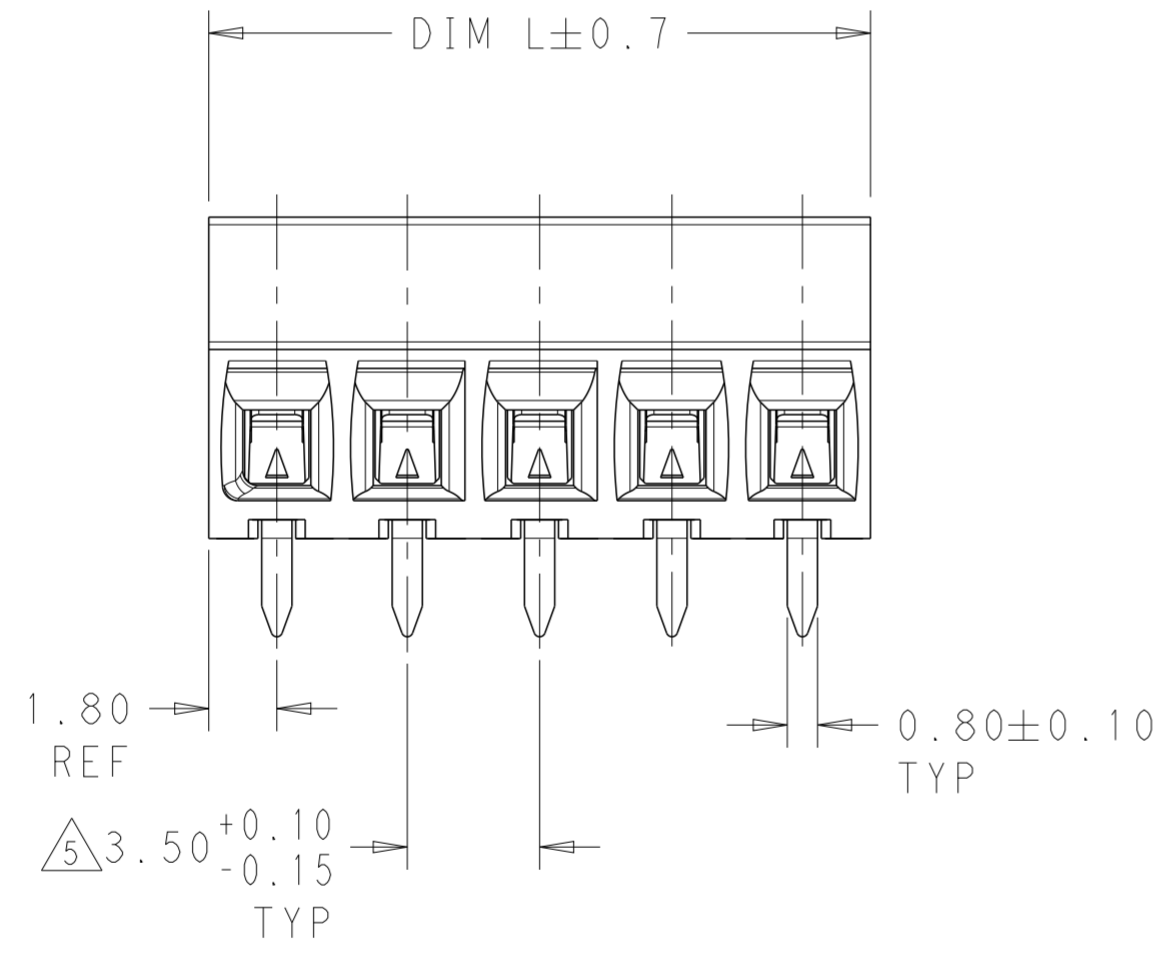


THIS DRAWING IS UNPUBLISHED. RELEASED FOR PUBLICATION 20  
 © COPYRIGHT 20 BY - ALL RIGHTS RESERVED.

LOC		DIST		REVISIONS			
P	LTR	DESCRIPTION	DATE	DWN	APVD		
	P1	DRAFTING CORRECTION	22AUG2019	RK	PS		



CLAMPING SCREW



RECOMMENDED PC BOARD LAYOUT

- MATERIALS AND FINISH:  
 HOUSING : HIGH TEMPERATURE POLYAMIDE, UL 94V-0, COLOR: BLACK.  
 TERMINAL : COPPER ALLOY, TIN PLATED.  
 CLAMP : COPPER ALLOY, NICKEL PLATED.  
 CLAMPING SCREW : COPPER ALLOY, NICKEL PLATED.
- MECHANICAL  
 WIRE STRIPPING LENGTH : 5.0-6.0 mm  
 MIN. PC BOARD HOLES DIAMETER : 1.1 mm  
 MAX. PC BOARD THICKNESS : 2.4 mm  
 RECOMMENDED TIGHTENING TORQUE FOR SCREW : 0.2 Nm.
- ELECTRICAL  
 WIRE RANGE : 16-28 AWG  
 RATED VOLTAGE : 300 V  
 RATED CURRENT : 12 A  
 CONTACT RESISTANCE : <15 m Ohm  
 INSULATION RESISTANCE : >1000 M Ohm (500V DC)
- OPERATING TEMPERATURE RANGE: -40°C TO +105°C  
 ⚠ TOLERANCE NOT CUMULATIVE.

3.50	14.00	4	2-1776112-4
3.50	10.50	3	2-1776112-3
3.50	7.00	2	2-1776112-2
2.60	14.00	4	1776112-4
2.60	10.50	3	1776112-3
2.60	7.00	2	1776112-2
DIM A	DIM L	NO OF POS	PART NUMBER

THIS DRAWING IS A CONTROLLED DOCUMENT.

DIMENSIONS: mm	TOLERANCES UNLESS OTHERWISE SPECIFIED: 0 PLC ± 1 PLC ±0.3 2 PLC ±0.25 3 PLC ± 4 PLC ± ANGLES ± FINISH	DWN S. SCHLEGEL 19 JAN 2010 CHK C. RICHARD 19 JAN 2010 APVD C. RICHARD 19 JAN 2010	NAME TERMINAL BLOCK, PCB MOUNT, STRAIGHT, 8.5mm PROFILE, SIDE WIRE ENTRY, 3.5mm PITCH
MATERIAL	SEE NOTES	APPLICATION SPEC	SIZE CAGE CODE DRAWING NO RESTRICTED TO A200779 C-1776112
SEE NOTES	SEE NOTES	WEIGHT	SCALE 5:1 SHEET 1 OF 1 REV P1

CUSTOMER DRAWING

# Mouser Electronics

Authorized Distributor

Click to View Pricing, Inventory, Delivery & Lifecycle Information:

[TE Connectivity:](#)

[2-1776112-3](#)