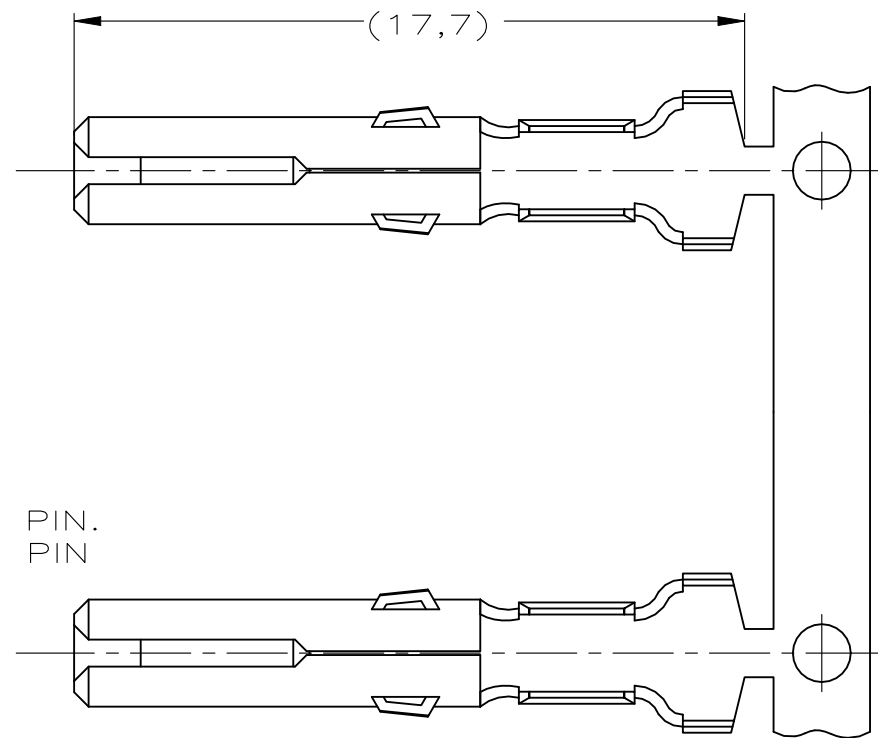
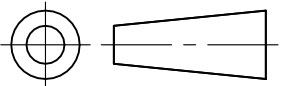


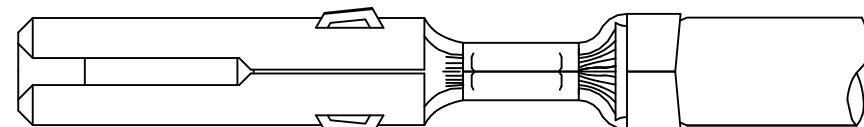
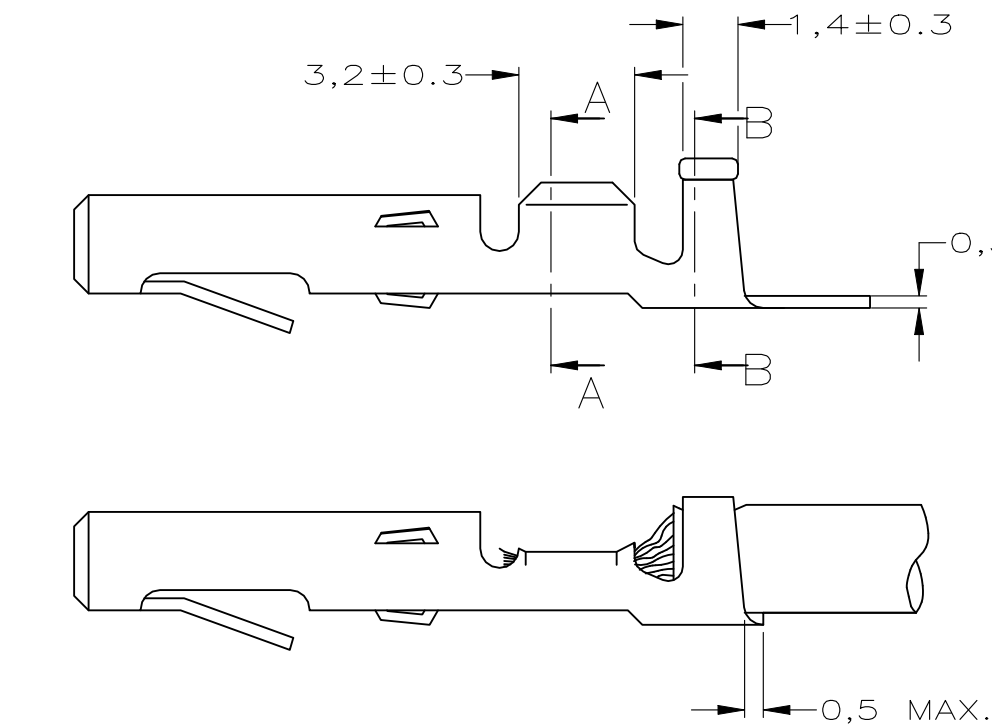
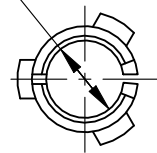
DO NOT SCALE
DIMENSIONS IN mm

METRIC

THIRD ANGLE
PROJECTION

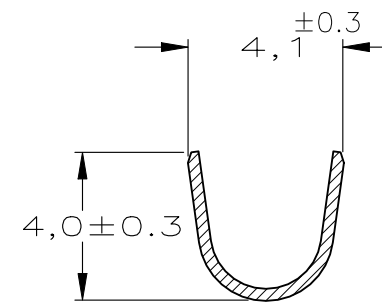


FOR 2,1 DIA. PIN.
MATE-N-LOK PIN

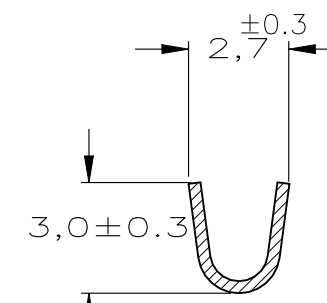


NOTES:

- ① FOR USE ON STANDARD APPLICATORS.(RIGHT-LEFT FEED)
- ② FOR USE ON MINIATURE APPLICATORS.(LEFT-RIGHT FEED)
- ③ FOR USE ON MINIATURE APPLICATORS,
AMP O-MATOR APPLICATION.(LEFT-RIGHT FEED)
- ④ OBSOLETE PARTS: OBSOLETE CIS STREAMLINING PER D.RENAUD/D.SINISI



SECTION B-B



SECTION A-A

WIRE RANGE :
0,5-1,0mm² AWG
INSULATION RANGE :
1,8-3,3mm DIA.

④	OBSOLETE	②	SEL. GOLD	BRASS	8=163300=1
	OBSOLETE	③	PRE-TINPLATED	BRASS	1=163300=5
		②	PRE-TINPLATED	PHOSPHOR BR.	163300=8
	OBSOLETE	②	UNPLATED	PHOSPHOR BR.	163300=7
		②	PRE-TINPLATED	BRASS	163300=6
	OBSOLETE	②	UNPLATED	BRASS	163300=5
④	OBSOLETE	①	PRE-TINPLATED	PHOSPHOR BR.	163300=4
		①	UNPLATED	PHOSPHOR BR.	163300=3
		①	PRE-TINPLATED	BRASS	163300=2
	OBSOLETE	①	UNPLATED	BRASS	163300=1
			PLATING	PLATING	MATERIAL
					PARTNUMBER

—					CUSTOMER DRAWING		FOR REFERENCE ONLY WILL NOT BE UPDATED		
—					©		COPYRIGHT - BY		
—							ALL INTERNATIONAL RIGHTS RESERVED.		
—							THIS DRAWING IS UNPUBLISHED RELEASED FOR PUBLICATION		
J4	REVISED PER ECR-21-111103	PJ	VS	18AUG2021	TE Connectivity		NAME		
J3	REVISED PER ECR-21-101087	PJ	VS	11MAY2021			SOCKET MATE-N-LOK.		
J2	REVISED PER ECO-11-005294	RK	HMR	13APR11					
LTR.	REVISION RECORD	DR.	CHK.	DATE					
DR.: J.V.D.HEIJDEN.		CHK.: A.BIJNEN.		APP.: L.V.SOEST.		DWG.No.		REV.LTR.	SHEET
DATE: 10-04-92		DATE: -		DATE: -		163300		J4	1 OF 1

Mouser Electronics

Authorized Distributor

Click to View Pricing, Inventory, Delivery & Lifecycle Information:

[TE Connectivity:](#)

[163300-1](#)