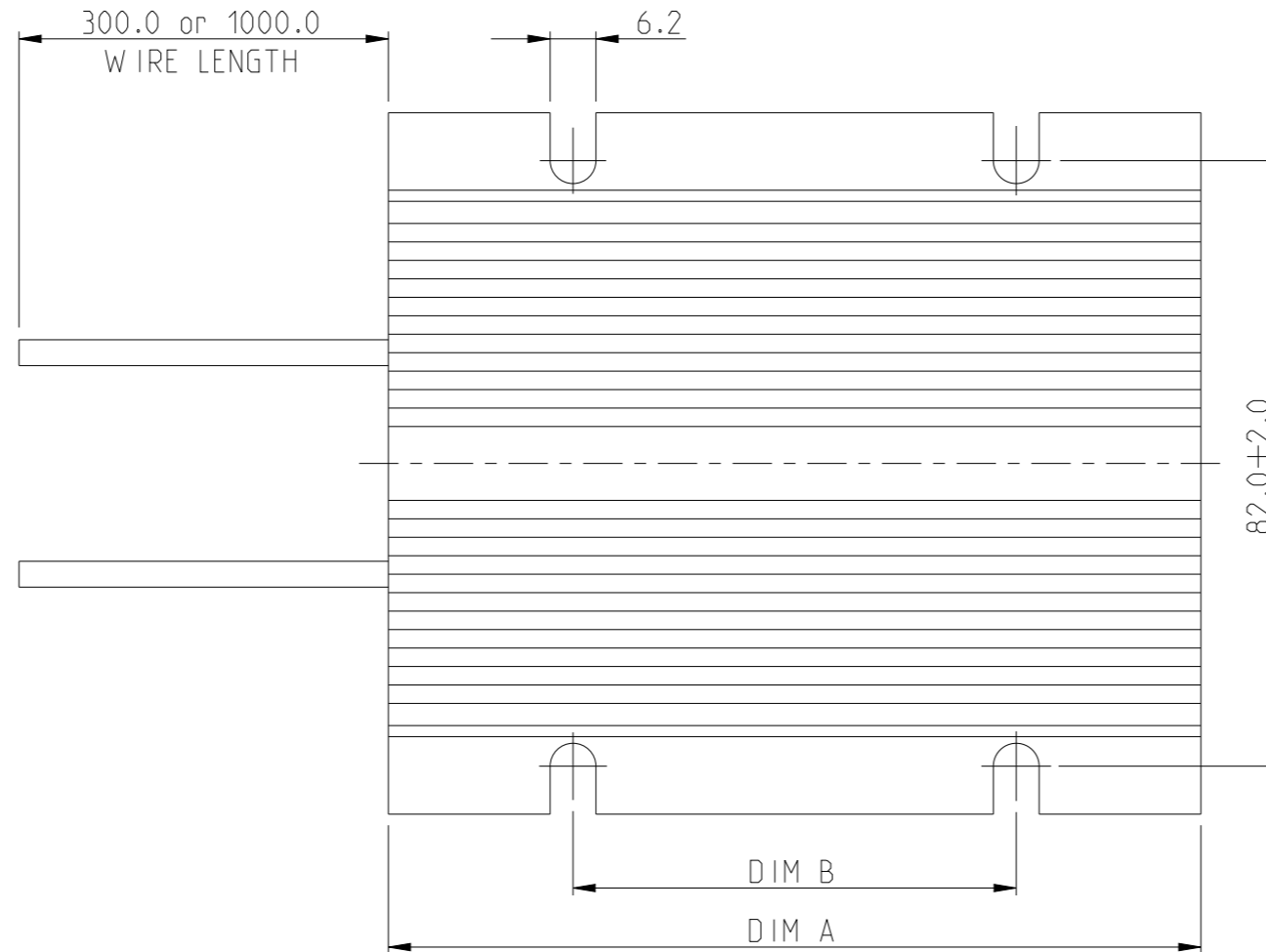
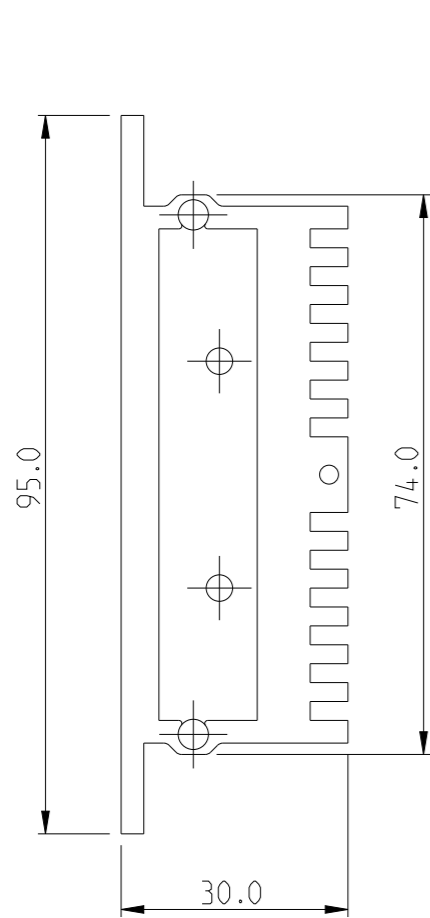
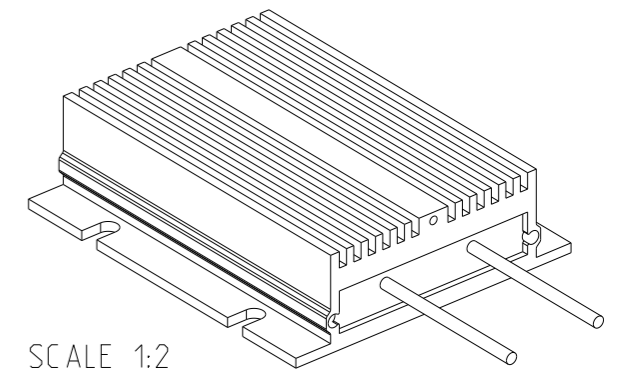


| P | LTR | DESCRIPTION | DATE | DWN | APVD |
|---|-----|---------------|-----------|-----|------|
| A | | NEW RELEASE | 24-MAR-09 | SM | JC |
| C | | ECR-20-017380 | 08DEC2020 | SB | AP |
| | | | | | |
| | | | | | |

1 FOR FURTHER INFORMATION SEE DATA SHEET FOR CFH SERIES-ALUMINIUM HOUSED POWER RESISTORS
 2 FOR A SPECIFIC PN FOR A RESISTANCE VALUE AND TOLERANCE, PLEASE REFER TO DMF



RoHS Compliant



| 4 | CFH1100 | 1100 | 320.0 | 240.0 |
|------|---------|-----------|-------|-------|
| 3 | CFH750 | 750 | 220.0 | 140.0 |
| 2 | CFH500 | 500 | 160.0 | 110.0 |
| 1 | CFH350 | 350 | 110.0 | 60.0 |
| ITEM | SERIES | POWER (W) | DIM A | DIM B |

| | | | | | |
|--|--|--|-----------|---|---------------|
| THIS DRAWING IS A CONTROLLED DOCUMENT. | | DWN | 24-MAR-09 | | |
| | | CHK | 24-MAR-09 | | |
| | | APVD | 24-MAR-09 | | |
| | | J. CATCHPOLE | | | |
| DIMENSIONS: mm | | TOLERANCES UNLESS OTHERWISE SPECIFIED: 0 PLC ±0.5 1 PLC ±0.2 2 PLC ±0.1 3 PLC ± 4 PLC ± ANGLES ±0.5° | | NAME ALUMINIUM HOUSED POWER RESISTOR SERIES CFH | |
| MATERIAL | | FINISH | | PRODUCT SPEC - APPLICATION SPEC - WEIGHT - | |
| CUSTOMER DRAWING | | | | SIZE | RESTRICTED TO |
| | | | | A3 | |
| | | | | CAGE CODE | |
| | | | | 00779 | |
| | | | | DRAWING NO | |
| | | | | ©=1623821 | |
| | | | | SCALE | |
| | | | | 1:1 | |
| | | | | SHEET | |
| | | | | 1 OF 1 | |
| | | | | REV | |
| | | | | C | |

Mouser Electronics

Authorized Distributor

Click to View Pricing, Inventory, Delivery & Lifecycle Information:

[TE Connectivity:](#)

[1623821-9](#)