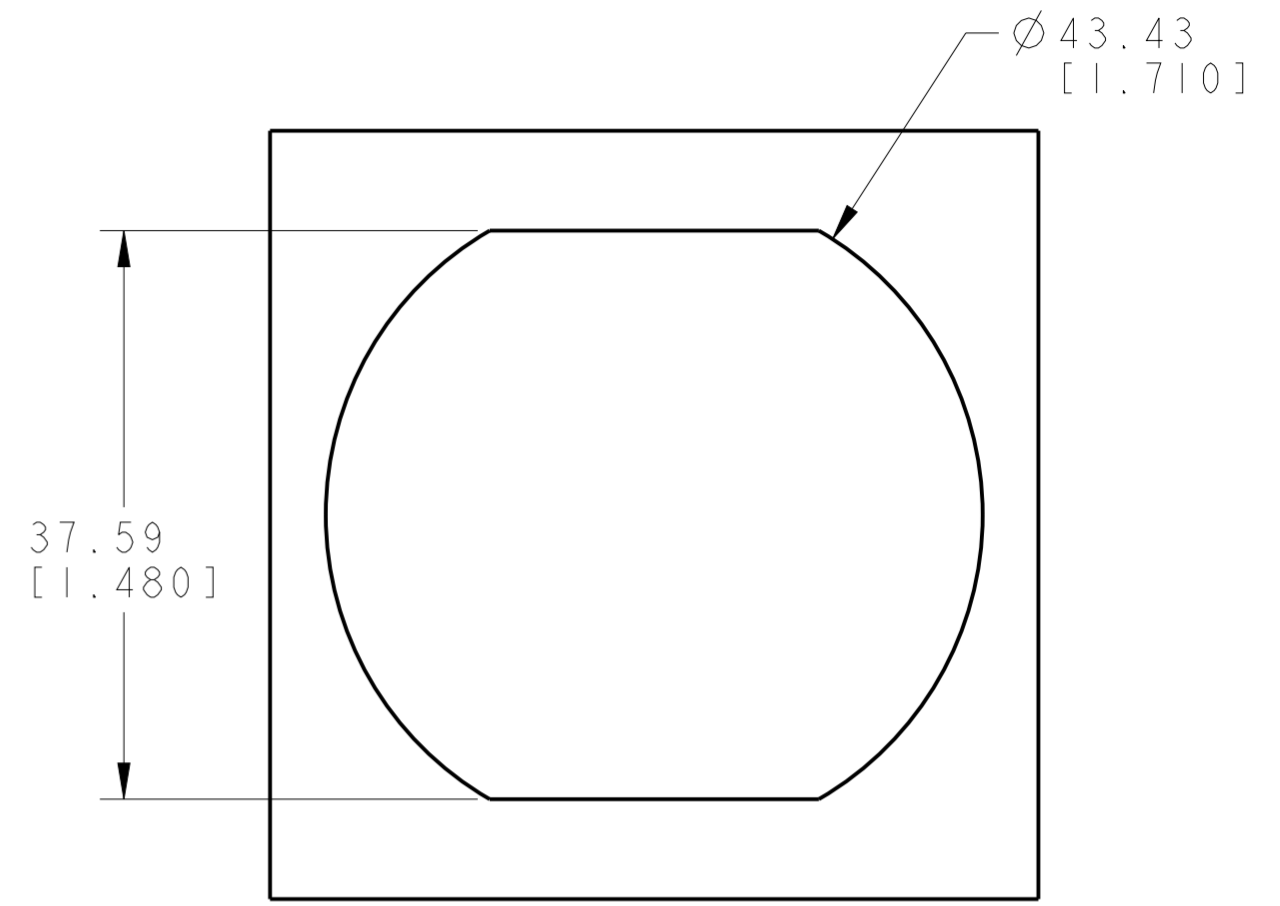
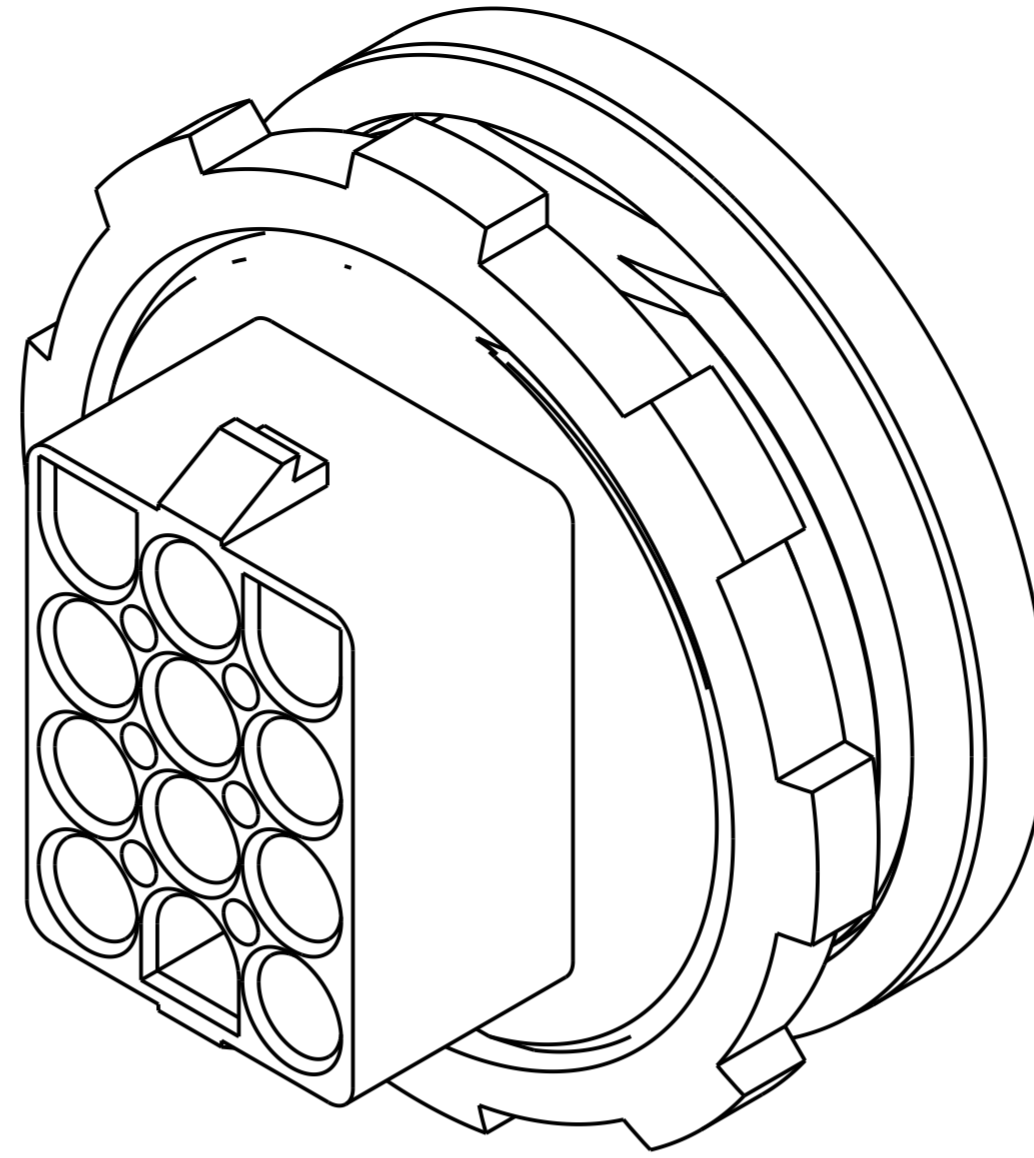
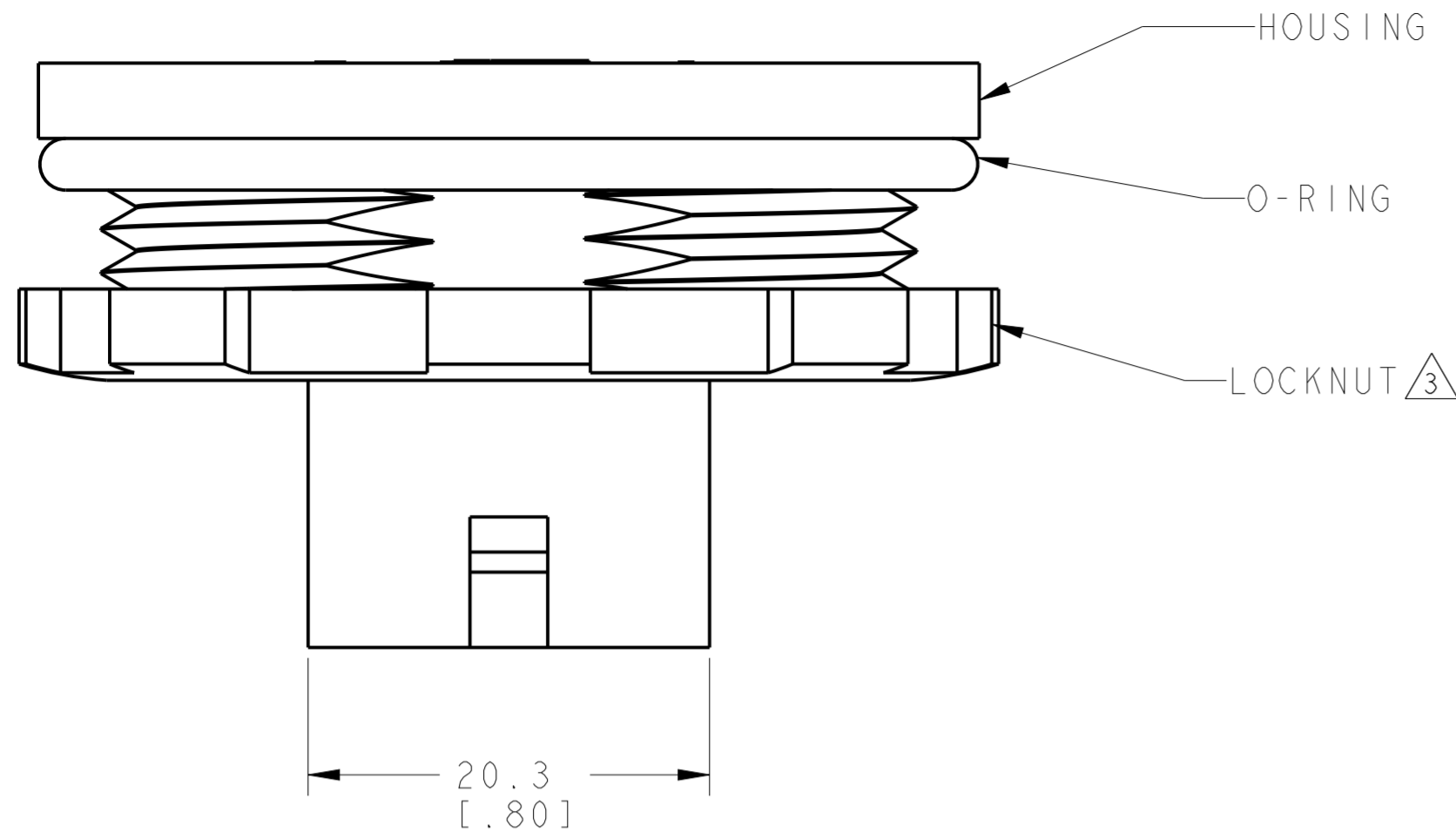
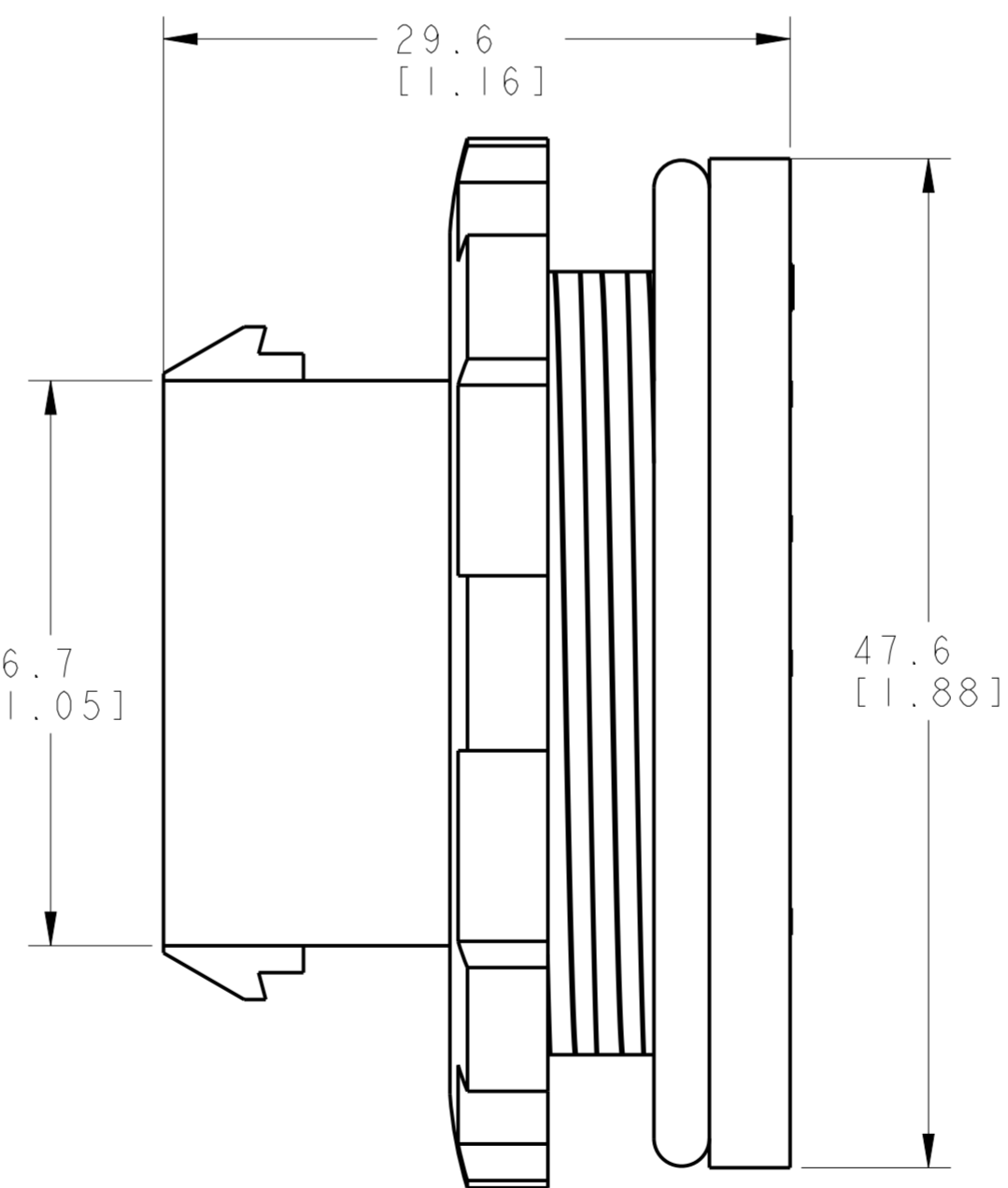
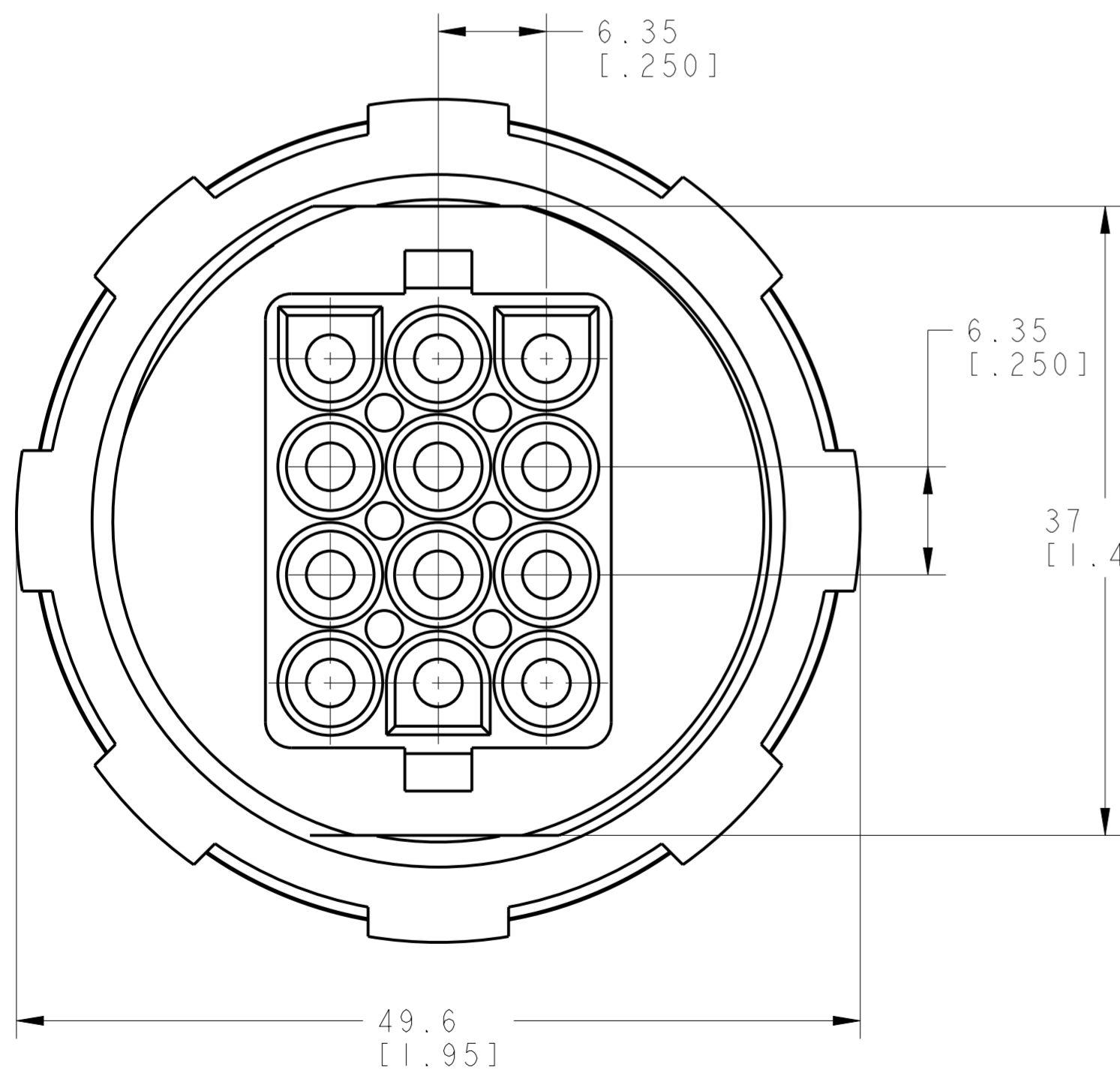


THIS DRAWING IS UNPUBLISHED. RELEASED FOR PUBLICATION 20
 © COPYRIGHT 20 ALL RIGHTS RESERVED.

REVISIONS				
P	LTR	DESCRIPTION	DATE	APVD
A1		REVISED PER ECR-17-015449	25OCT2017	BDA KR
A2		REVISED PER ECO-20-008510	17JUN2020	WLS DZ
A3		REVISED PER ECN-20-100768	03DEC2020	WLS VS
B		REVISED PER ECN-21-103649	10MAY2021	WLS VS



SCALE 2:1
RECOMMENDED
PANEL CUT-OUT



- ¹ LOCKNUT : METAL
HOUSING : NYLON, FLAME RETARDANT, UL94-V0
O-RING : NEOPRENE BLACK (-1) OR SILICONE RUBBER RED (1- -1)
- ² LOCKNUT : PLATED
- ³ LOCKNUT, SIX(6) OR EIGHT(8) SYMETRICAL PLACED GRIP POINTS PERMISSIBLE.
- 4 DIMENSIONS SHOWN REPRESENT PRODUCT IN DRY, AS MOLDED, CONDITION. ADDITIONAL 2% GROWTH DUE TO SUBSEQUENT MOISTURE ABSORPTION MAY OCCUR AND SHOULD BE ACCOUNTED FOR.
- ⁵ ROHS COMPLIANT.

⁵ 1-1604941-1
OBSOLETE 1604941-1
PART NO

THIS DRAWING IS A CONTROLLED DOCUMENT.		DWN W J RUDY 12JUN03	TE Connectivity
DIMENSIONS: mm [INCHES]		CHK JHW 12JUN03	
TOLERANCES UNLESS OTHERWISE SPECIFIED:		APVD JHW 12JUN03	
0 PLC ± 1 PLC ±0.5 [0.02] 2 PLC ±0.13 [0.005] 3 PLC ± 4 PLC ± ANGLES ± FINISH ±		NAME BULKHEAD CONNECTOR ASSEMBLY 12 CIRCUIT, UNIVERSAL MATE-N-LOK(TM)	
MATERIAL ¹	²	PRODUCT SPEC -	SIZE A2
		APPLICATION SPEC -	CAGE CODE 00779
		WEIGHT -	DRAWING NO C-1604941
CUSTOMER DRAWING		SCALE 3:1	RESTRICTED TO REV B

Mouser Electronics

Authorized Distributor

Click to View Pricing, Inventory, Delivery & Lifecycle Information:

[TE Connectivity:](#)

[1604941-1](#)