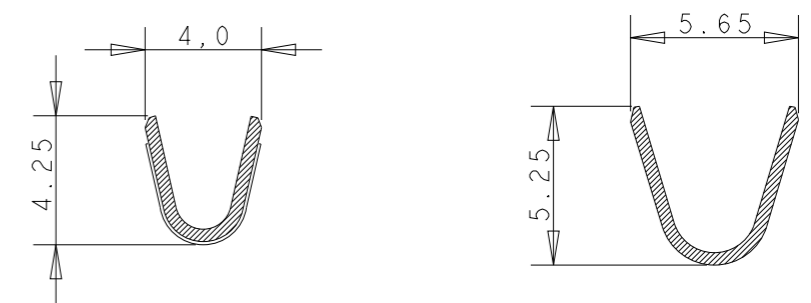
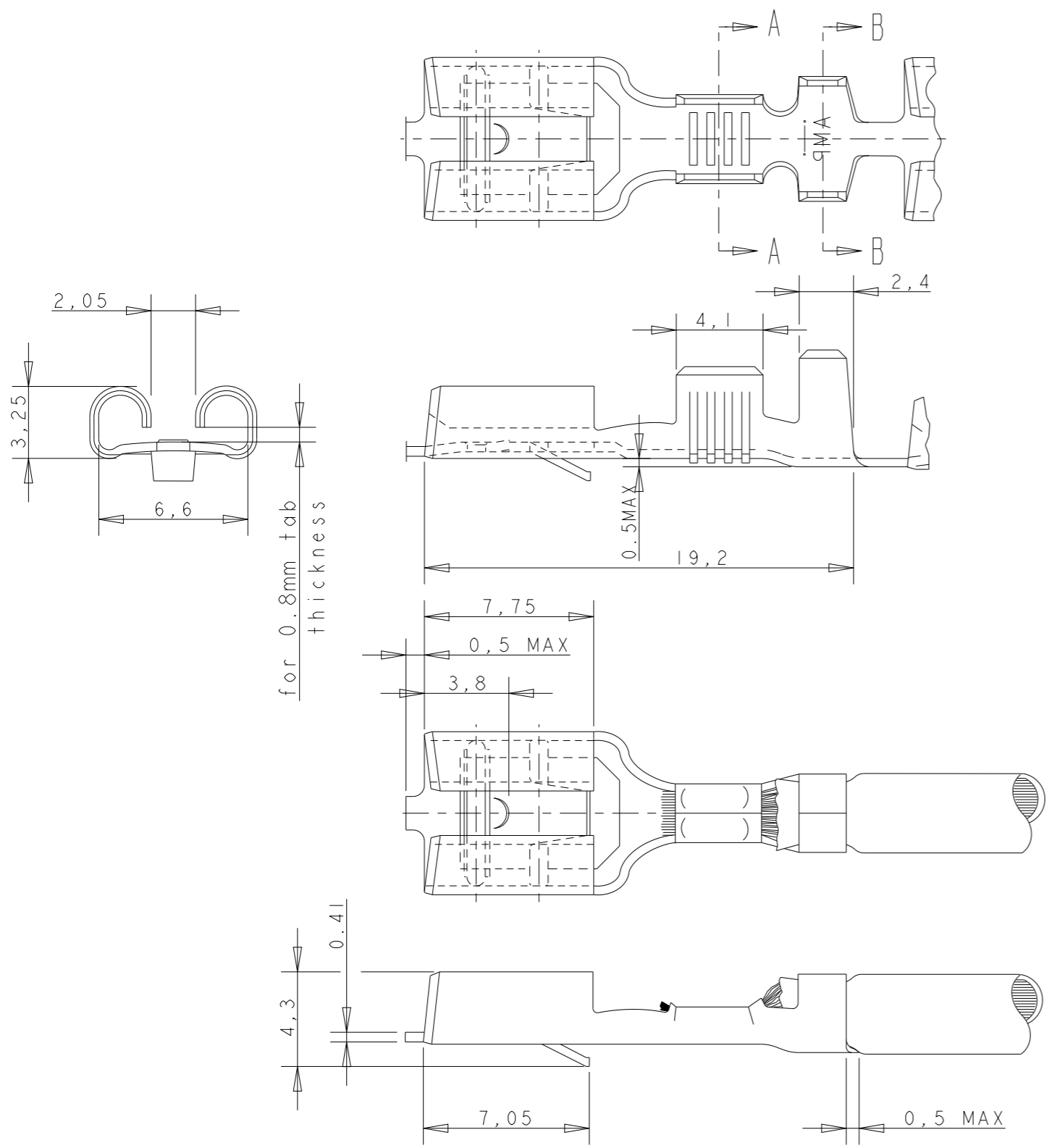


LOC	DIST	REVISIONS					
		P	LTR	DESCRIPTION	DATE	DWN	APVD
A1	-		H2	REVISED PER ECO-11-005294	21MAR2011	RK	HMR
			J	REVISED PER ECR-21-100134	15FEB2021	BDA	DH

NOTES:

- 1 FOR USE ON MINIATURE APPLICATORS (LEFT-RIGHT FEED) AND STANDARD APPLICATORS (RIGHT-LEFT FEED).
- 2 FOR USE ON MINIATURE APPLICATORS (AMP-O-MATOR APPLICATION). (LEFT-RIGHT FEED).
- 3 OBSOLETE PARTS: OBSOLETE CIS STREAMLINING PER D.RENAUD/D.SINISI

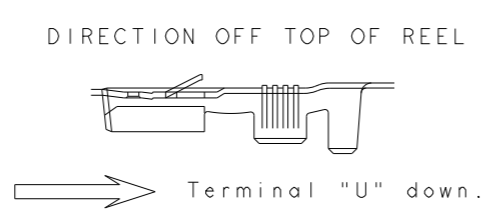


OBSOLETE	1	2	FINISH	MATERIAL	PART NUMBER
	1		PRE-TINPLATED	PH.BRONZE	6-160446-8
	1		PRE-TINPLATED	BRASS	6-160446-7
	1	2	TINPLATED	PH.BRONZE	6-160446-6
	1	2	SILVER OVER NICKEL PLATED	PH.BRONZE	5-160446-8
	1	2	SILVER OVER NICKEL PLATED	BRASS	5-160446-6
	1		TINPLATED	BRASS	5-160446-5
	1		UNPLATED	BRASS	5-160446-4
	1		TINPLATED	PH.BRONZE	5-160446-2
	1		UNPLATED	PH.BRONZE	5-160446-1

GENERAL TOLERANCES ±0.3

WIRE RANGE :
1,0-2,5 mm²

INSULATION RANGE :
3,0-4,1mm DIA.



THIS DRAWING IS A CONTROLLED DOCUMENT.

DIMENSIONS: mm	TOLERANCES UNLESS OTHERWISE SPECIFIED:
	0 PLC ±
	1 PLC ±
	2 PLC ±
	3 PLC ±
	4 PLC ±
	ANGLES ±1°
MATERIAL SEE TABLE	FINISH SEE TABLE

DWN	J.V.LIEMPT.	21MARI992
CHK	A.BIJNEN.	-
APVD	L.V.SOEST.	-
PRODUCT SPEC	-	-
APPLICATION SPEC	-	-
WEIGHT	-	-
CUSTOMER DRAWING		



.250 SRS FASTIN-ON RECEPTACLE

NAME	.250 SRS FASTIN-ON RECEPTACLE		
SIZE	CAGE CODE	DRAWING NO	RESTRICTED TO
A3	00779	C-160446	
SCALE	SHEET	OF	REV
			J

Mouser Electronics

Authorized Distributor

Click to View Pricing, Inventory, Delivery & Lifecycle Information:

[TE Connectivity:](#)

[5-160446-5 \(Loose Piece\)](#)