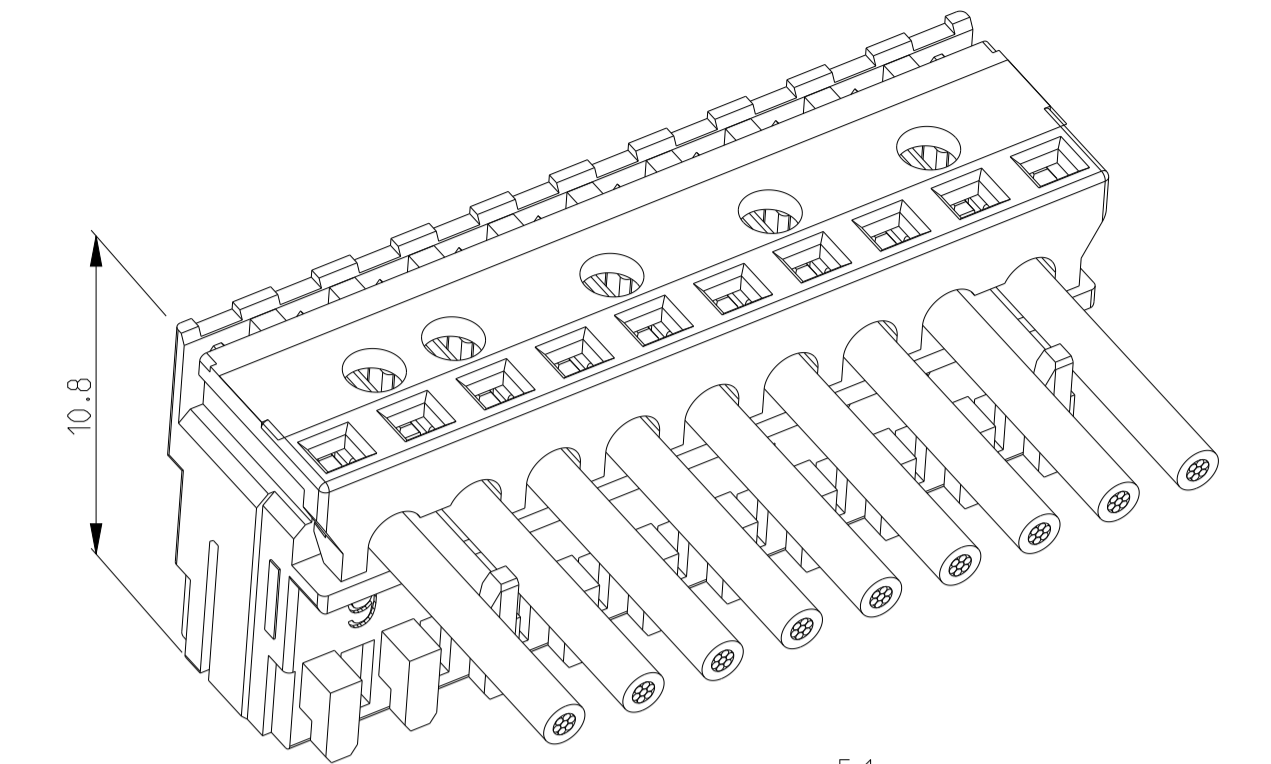
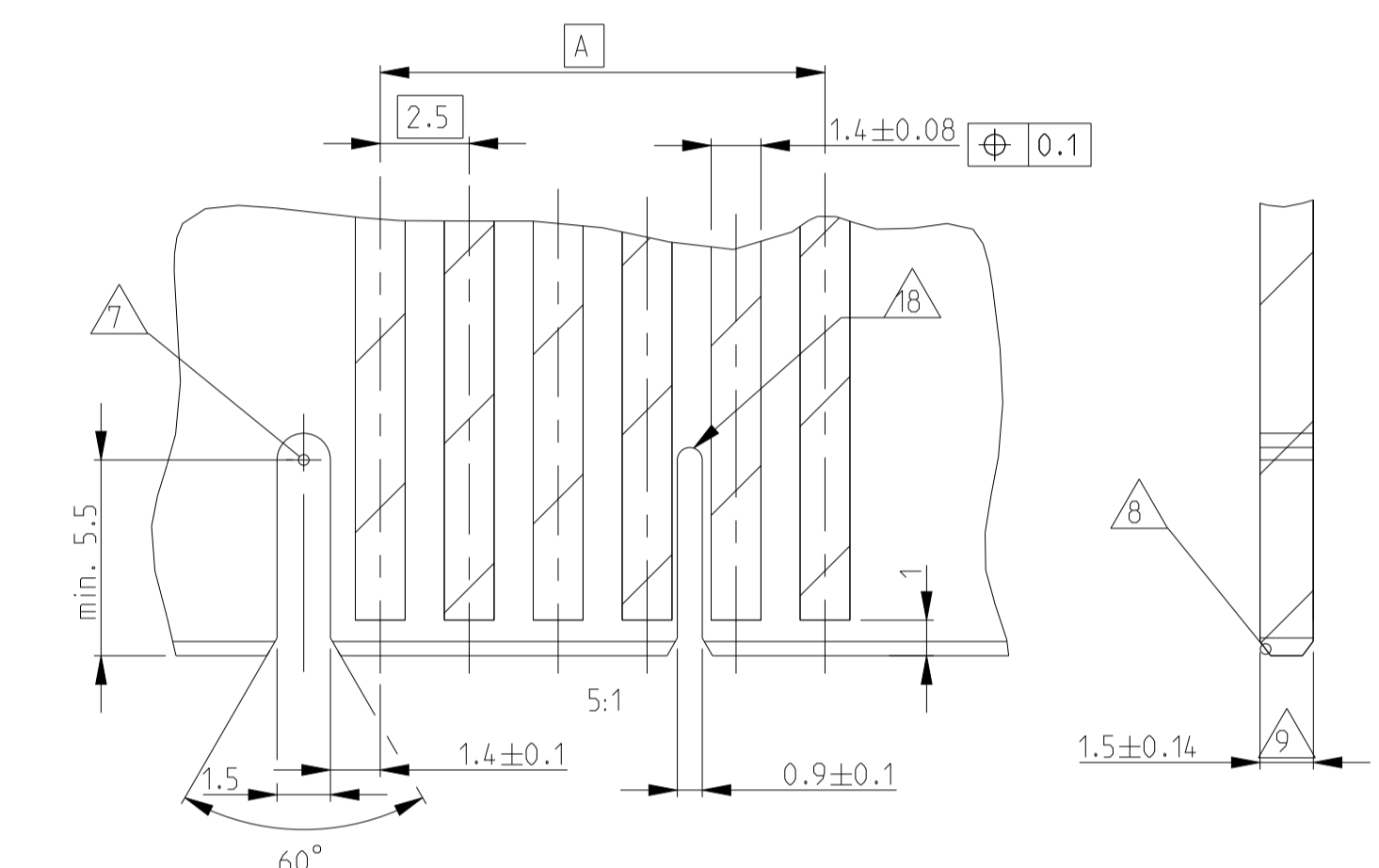


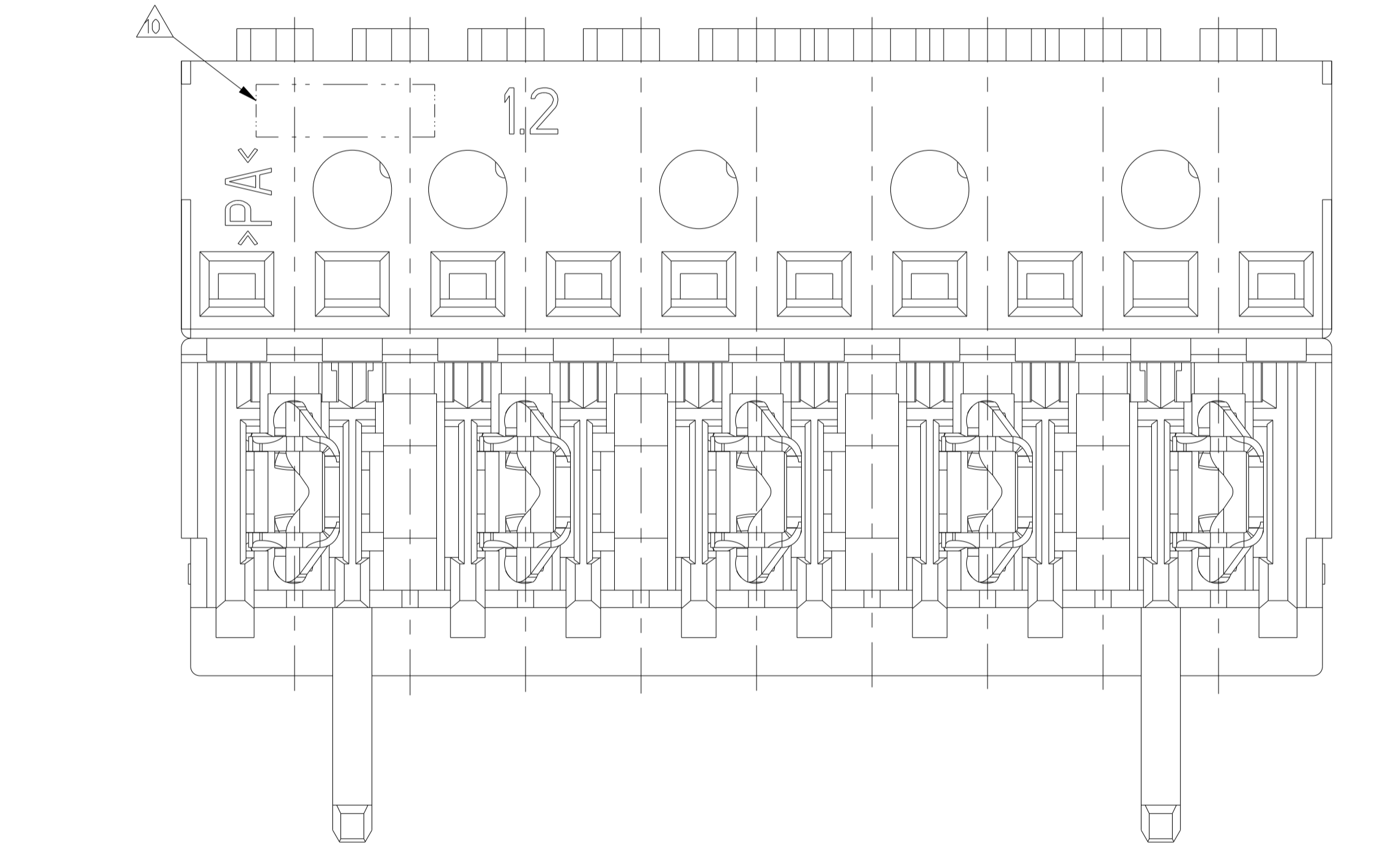
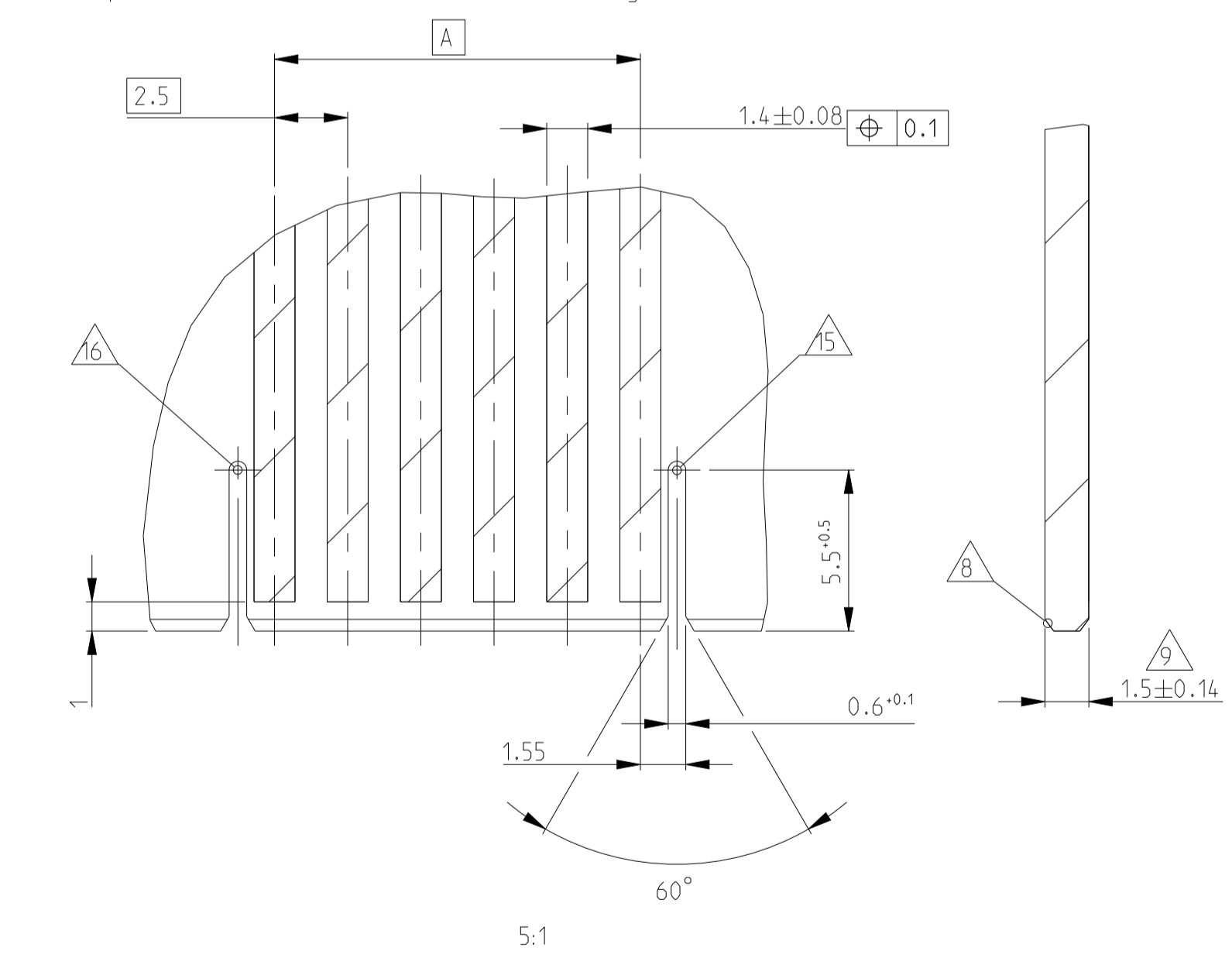
LOC	DIST	REVISIONS					
A1	-	P	LTA	DESCRIPTION	DATE	DWN	APVD
		D51	ECR-20-100617		05NOV2020	W W	FL
		D52	ECR-20-101062		17DEC2020	P J	FL
		D53	ECR-21-100373		01FEB2021	S M	FL
		D54	ECR-21-105810		02JUL2021	S M	FL



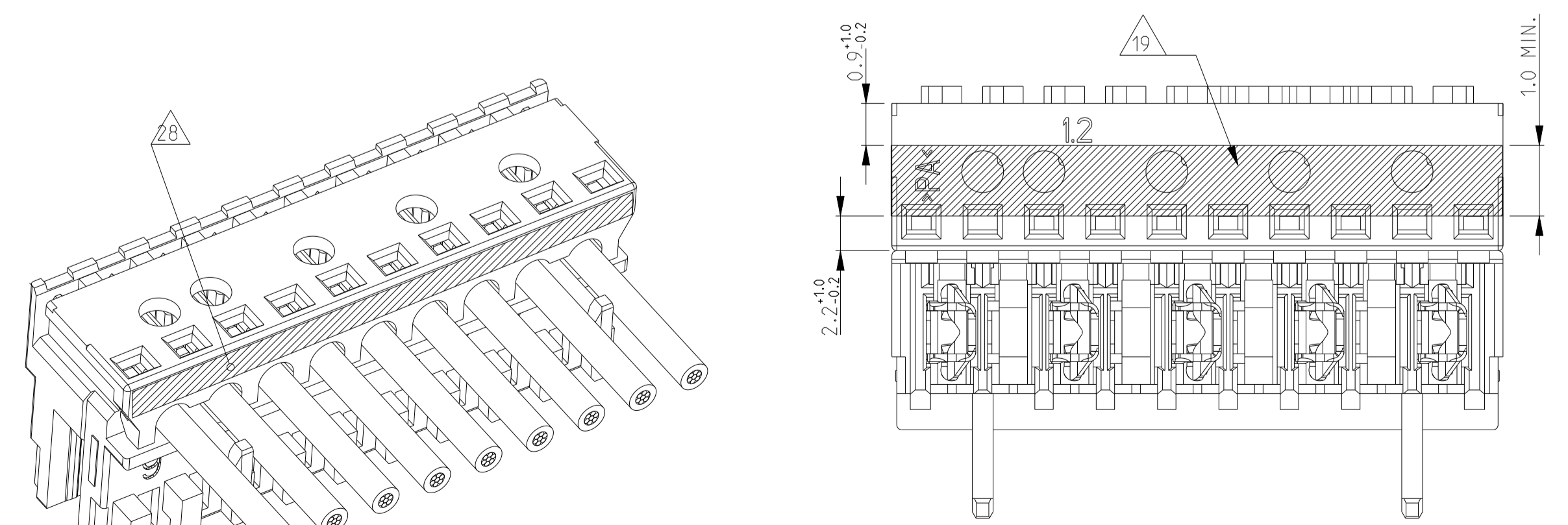
PCB LAYOUT KEYED / CONNECTED ONLY WITH ADDITIONAL FRAME (THICK KEYING)  
Leiterplattenanschluss kodiert / nur in Verbindung mit zusätzlichem Rahmen



PCB LAYOUT KEYED / CONNECTED ONLY WITH ADDITIONAL FRAME (SLIM KEYING)  
Leiterplattenanschluss kodiert / nur in Verbindung mit zusätzlichem Rahmen



- 28 STRIPE IN YELLOW COLOR WHERE SHOWN PRESENT ON THE PARTS PRODUCED IN TE COLLEGNO ONLY
- 27 DIMENSION AVAILABLE FOR PART X-2304525-X, X-2304526-X.
- 26 WITH SPECIAL CHAIN FEATURE
- 25 SIDE KEYING ON LAST CAVITY THICKNESS=1,5mm
- 24 SIDE KEYING ON CAVITY 1 THICKNESS=1,5mm
- 19 COLOR STRIP ON COVER OF HOUSING, NOT THE COLOR OF HOUSING.
- 18 SLOT, THICK, BETWEEN CAVITIES
- 17 KEYING, THICK, BETWEEN POSITION
- 16 SLOT, SLIM, FOR SIDE KEYING, LAST CAVITY
- 15 SLOT, SLIM, FOR SIDE KEYING, SIDE CAVITY 1
- 14 SIDE KEYING, SLIM, ON LAST CAVITY
- 13 SIDE KEYING, SLIM, ON CAVITY 1
- 12 KEYING SLIM BETWEEN POSITIONS
- 11 PRELIMINARY PART NOT RELEASED FOR PRODUCTION
- 10 TE LOGO
- 9 INCLUSIVE COPPER LOADING
- 8 PCB PREFERABLY CHAMFERED
- 7 SLOT, THICK, FOR SIDE KEYING
- 6 SIDE KEYING, THICK, ON LAST CAVITY
- 5 WIRE RANG: 0.22-0.35mm<sup>2</sup> SEE APPLICATION SPEC. 114-18467
- 4 IEC60695-2-11 / IEC60335-1 GLOW WIRE TEST 750 °C WITHOUT FLAME
- 3 X..CAVITY LOADED WITH CONTACT  
O..CAVITY WITHOUT CONTACT
- 2 MATING PART: PCB (WITH FRAMES ACC. RAST 2.5 E.G. PN 964 575/576 TAB HEADER (FOR EXAMPLE: X-1971921/922-Y)
- 1 KEYING RIBS; CUTTING WITH TERMINATION MACHINE POSSIBLE



OTHER NOTE SEE SHEET 3 OF 3.

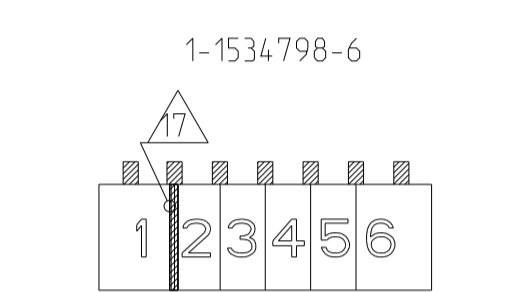
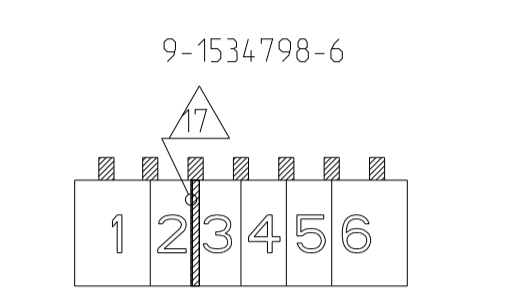
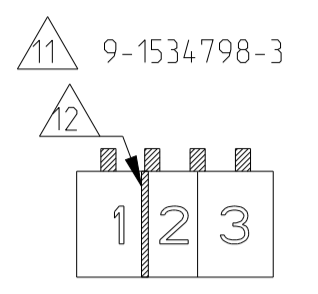
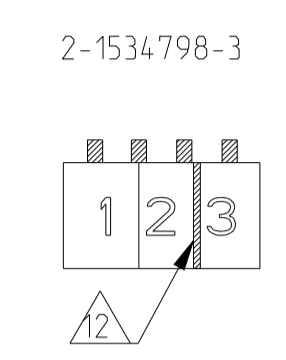
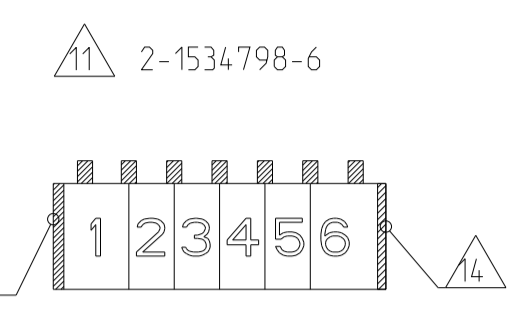
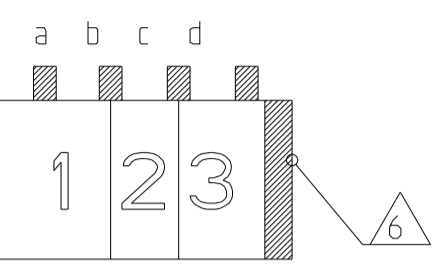
THIS DRAWING IS A CONTROLLED DOCUMENT.		DWN	H. Karabiyik	24MAY2002	 TE Connectivity
DIMENSIONS:		CHK	B. Schnaubelt	24MAY2002	
TOLERANCES UNLESS OTHERWISE SPECIFIED:		APVD	T. Klenner	24MAY2002	
mm		NAME			
0 PLC ±0.2 1 PLC ±0.2 2 PLC ±0.2 3 PLC ±0.2 4 PLC ± ANGLES ±°		PRODUCT SPEC 108-18785 APPLICATION SPEC 114-18467			SIZE A1
MATERIAL		WEIGHT			CAGE CODE 00779
		Customer Drawing			DRAWING NO C=1534798
		SCALE			SHEET 1 OF 3 REV 054

LOC	DIST	REVISIONS					
A1	-	P	LTN	DESCRIPTION	DATE	OWN	APVD
				SEE SHEET 1			

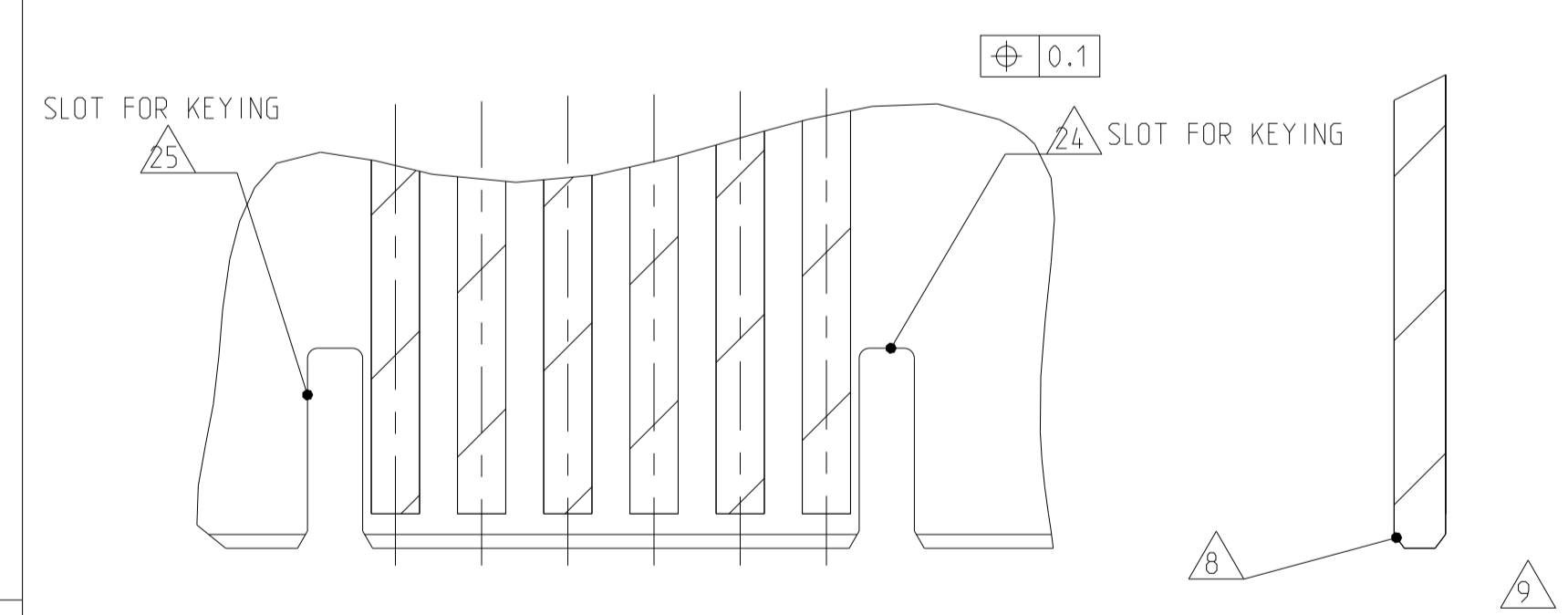
**KEYING PLAN**

Kodierschema

4-1534798-3



PCB LAYOUT KEYED / CONNECTED ONLY WITH ADDITIONAL FRAME (KEYING THICKNESS-1.5mm)



5:1

GWEPT 750°C NO FLAME & UL94-V2, TIN PLATED VERSION																															
Color	20	19	18	17	16	15	14	13	12	11	10	9	8	7	6	5	4	3	2	1	POS. Polzahl	DIM A	DIM B	KEYING	KEYING	KEYING	KEYING	KEYING	KEYING	KEYING	PN Bestell-Nr.
																					19	45	49.9							1-1534799-9	
																					17	40	44.9				8/9			1534799-7	
																					15	35	39.9							1-1534799-5	
																														4-1534799-3	
																					13	30	34.9							3-1534799-3	
																														1-1534799-2	
																					12	27.5	32.4				8/9			2-1534799-2	
Black																														5-1534799-1	
																					11	25	29.9							4-1534799-1	
																														3-1534799-1	
																														2-1534799-1	
																														5-1534798-0	
																					10	22.5	27.4							4-1534798-0	
																														3-1534798-0	
																														2-1534798-0	
																														7-1534798-9	
																														6-1534798-9	
																					9	20	24.9							5-1534798-9	
																														4-1534798-9	
																														3-1534798-9	
																														9-1534798-8	
																														8-1534798-8	
																														7-1534798-8	
																														6-1534798-8	
																														5-1534798-8	
																														4-1534798-8	
																														3-1534798-8	
Black																														6-1534798-7	
																														5-1534798-7	
																														4-1534798-7	
																														3-1534798-7	
Black																														2-1534798-6	
																														1-1534798-6	
Red																														9-1534798-6	
																														8-1534798-6	
																														7-1534798-6	
																														6-1534798-6	
																														5-1534798-6	
																														2314657-6	
																														1-2314657-6	
																														4-1534798-6	
																														3-1534798-6	
Brown																														9-1534798-5	
																														8-1534798-5	
Black																														7-1534798-5	
																														6-1534798-5	
																														5-1534798-5	
																														4-1534798-5	
																														3-1534798-5	
																														2-1534798-5	
																														3-1534798-4	
Orange																														1-1534798-3	
																														1534798-3	
																														9-1534798-3	
																														2-1534798-3	
Brown																														8-1534798-3	
Green																														7-1534798-3	
Blue																														6-1534798-3	
																														5-1534798-3	
																														4-1534798-3	
																														3-1534798-3	

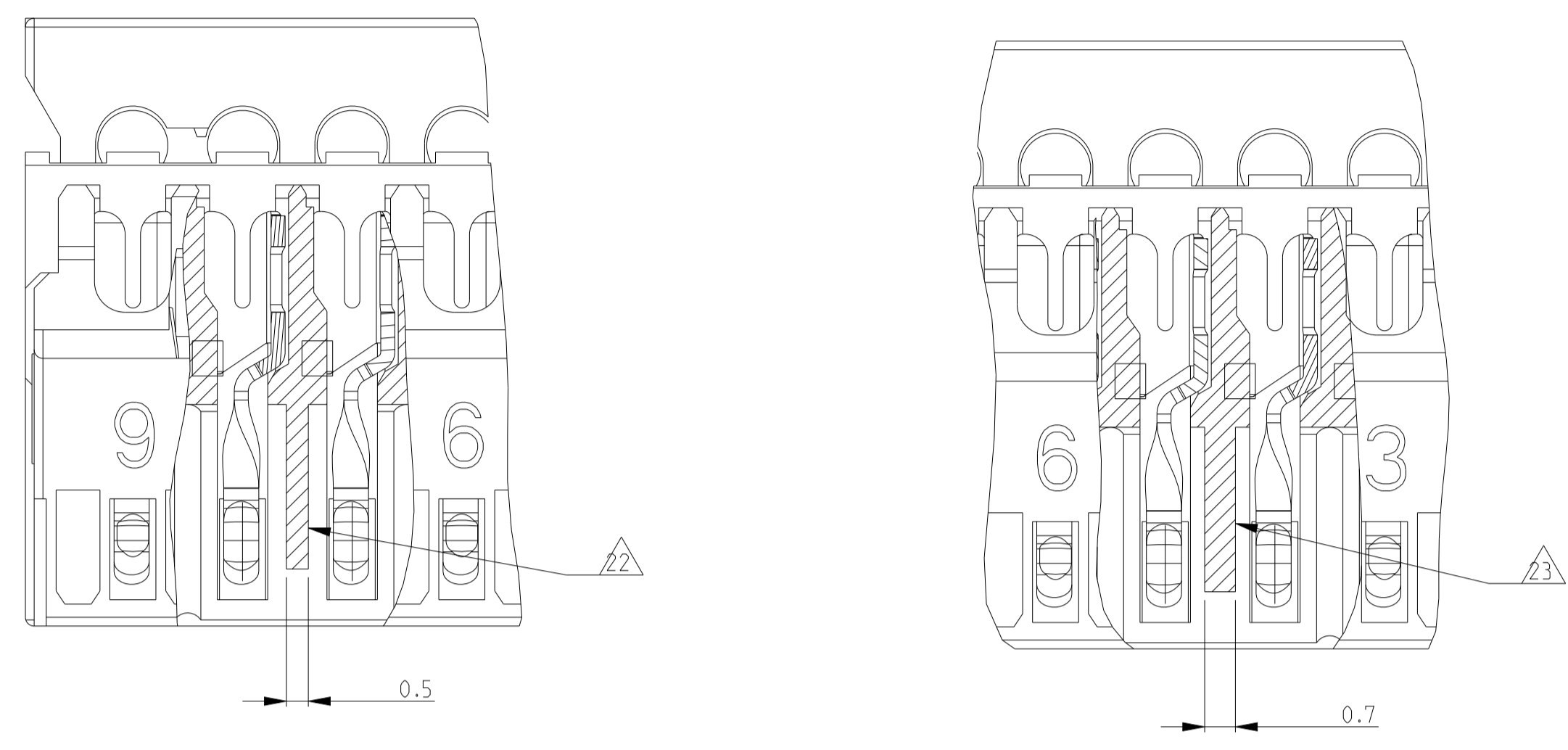
2	SEE TABLE	CONTACT/Kontakt	CuSn	TINNED/verzinkt
1	siehe Tabelle	HOUSING/Federleistengeh.	HIGH TEMP PLASTIC	NATUR/Natur
POS.	PN Bestell-Nr.	DESCRIPTION Beschreibung	MATERIAL	COLOUR/FINISH Farbe/Oberflaeche

THIS DRAWING IS A CONTROLLED DOCUMENT.

OWN: H. Karabiyik, 24MAY2002  
 CHK: B. Schnaubel, 24MAY2002  
 APVD: T. Klenner, 24MAY2002

PRODUCT SPEC:

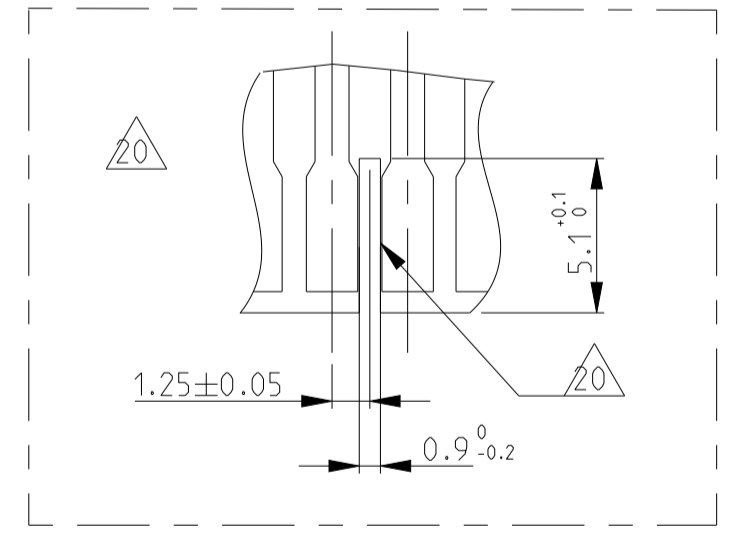
LOC		DIST		REVISIONS			
P	LTN	DESCRIPTION	DATE	DMN	APVD		
-		SEE SHEET 1	-	-	-		



KEYING 22

KEYING 23

- 23 KEYING. SPECIAL THICK. BETWEEN POSITION
- 22 KEYING. SPECIAL THIN. BETWEEN POSITION
- 21 SLOT FOR KEYING SPECIAL. BETWEEN POSITION
- 20 RECOMMENDED PCB CUTOFF DIMENSION FOR THE PN X-2304527-Y AND X-2304528-Y



GWEPT 750°C NO FLAME & UL94-VO, SILVER PLATED VERSION																												
Blue														X	0	X	3	5	9.9							5-2369989-3	4-2369989-3	
Color Code	20	19	18	17	16	15	14	13	12	11	10	9	8	7	6	5	4	3	2	1	POS. Polzahl	DIM A	DIM B	22	23	24	25	PN Bestell-Nr.
KAMMERBESTUECKUNG (CAVITIES LOADED) 23																												

2	SEE TABLE	CONTACT/Kontakt	CuSn	SILVERED
1	siehe Tabelle	HOUSING/Federleistengeh.	HIGH TEMP PLASTIC 4	NATUR/Natur
POS.	PN Bestell-Nr.	DESCRIPTION Beschreibung	MATERIAL	COLOUR/FINISH Farbe/Oberflaeche

GWEPT 750°C NO FLAME & UL94-VO, TIN PLATED VERSION																																								
Blue																											13	30	34.9								1-2304528-3	2304528-3		
Orange																												11	25	29.9								2-2304528-1	1-2304528-1	
Green																												10	22.5	27.4								2-2304528-0	1-2304528-0	
GREEN																												9	20	24.9								4-2304527-9	3-2304527-9	
Black																												7	15	19.9								2-2304527-9	1-2304527-9	
Blue																												6	12.5	17.4								2304527-9	2304527-9	
Red																												5	10	14.9								1/2	4-2304527-9	3-2304527-9
Red																												4	7.5	12.4								2/3	7-2304527-6	6-2304527-6
Black																												3	5	9.9								3/4	5-2304527-6	4-2304527-6
Green																												3	5	9.9								1/2	2-2304527-5	1-2304527-5
Blue																												3	5	9.9								2/3	2-2304527-5	1-2304527-5
Black																												3	5	9.9								2/3	2304527-6	2304527-6
Red																												3	5	9.9								1/2	2-2304527-3	1-2304527-3
Red																												3	5	9.9								2/3	2-2304527-3	1-2304527-3
Blue																												3	5	9.9								1/2	2304527-3	2304527-3
Black																												3	5	9.9								2/3	1-2304527-3	1-2304527-3
Red																												3	5	9.9								-	2304527-3	2304527-3
Brown																												3	5	9.9								-	2304527-3	2304527-3
Orange																												3	5	9.9								-	2304527-3	2304527-3
Color Code	20	19	18	17	16	15	14	13	12	11	10	9	8	7	6	5	4	3	2	1	POS. Polzahl	DIM A	DIM B	22	23	24	25	PN Bestell-Nr.												
KAMMERBESTUECKUNG (CAVITIES LOADED) 23																																								

2	SEE TABLE	CONTACT/Kontakt	CuSn	TINNED/verzinkt
1	siehe Tabelle	HOUSING/Federleistengeh.	HIGH TEMP PLASTIC 4	NATUR/Natur
POS.	PN Bestell-Nr.	DESCRIPTION Beschreibung	MATERIAL	COLOUR/FINISH Farbe/Oberflaeche

THIS DRAWING IS A CONTROLLED DOCUMENT. **STC** TE Connectivity

DIMENSIONS: mm  
 TOLERANCES UNLESS OTHERWISE SPECIFIED:  
 0 PLC ±0.2  
 1 PLC ±0.2  
 2 PLC ±0.2  
 3 PLC ±0.2  
 4 PLC ±0.2  
 ANGLES ±°  
 FINISH ±µm

DWN: H. Karabiyik 24MAY2002  
 CHK: B. Schnaubelt 24MAY2002  
 APVD: T. Klenner 24MAY2002

NAME: AMP DUOPLUG 2.5 MARK II FEMALE CONNECTOR 3-20 POSITION SELECTIVE LOADED  
 SIZE: A1  
 CAGE CODE: 00779  
 DRAWING NO: 1534798  
 WEIGHT: -  
 FINISH: -  
 Customer Drawing

SCALE: 10:1  
 SHEET: 3 OF 3  
 REV: 054

# Mouser Electronics

Authorized Distributor

Click to View Pricing, Inventory, Delivery & Lifecycle Information:

[TE Connectivity:](#)

[6-1534798-8](#)