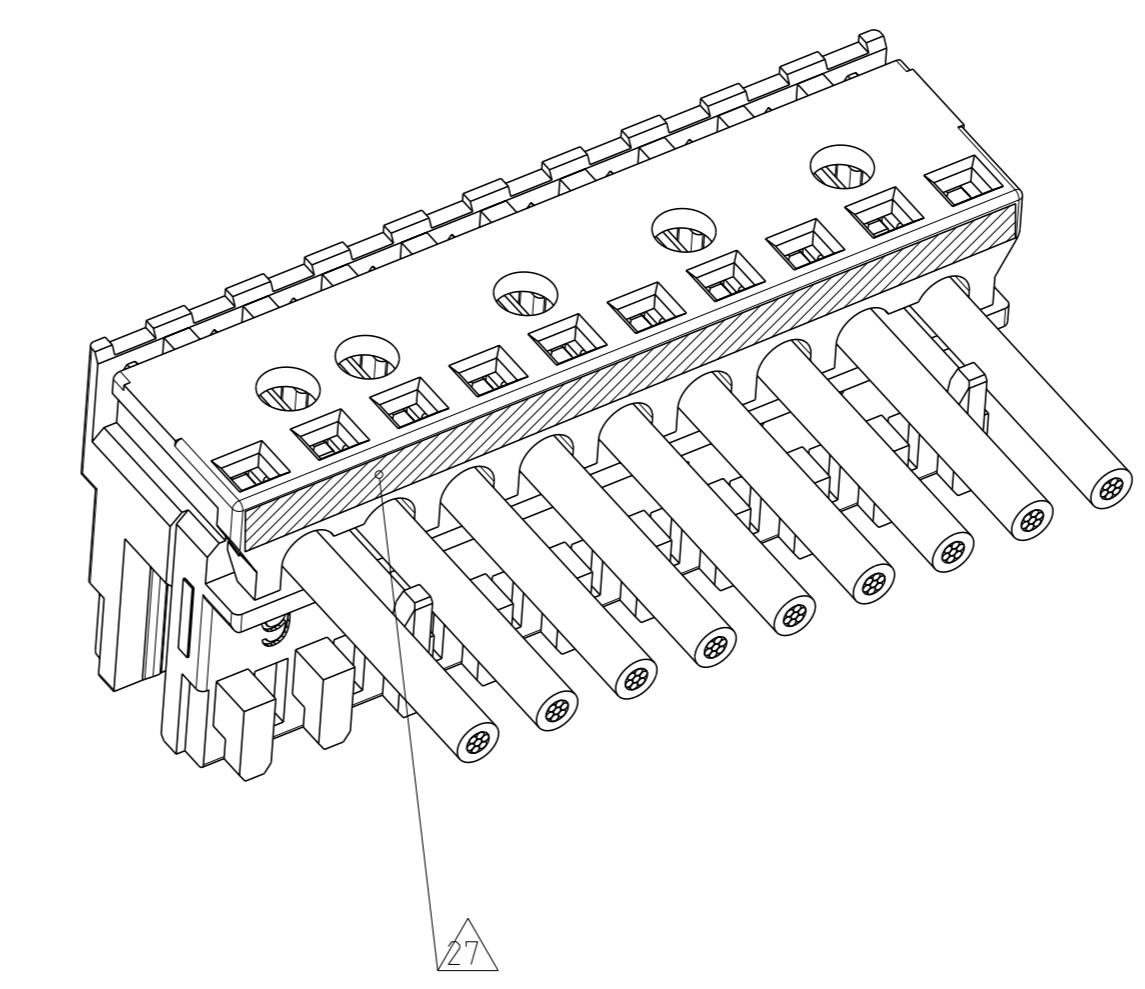
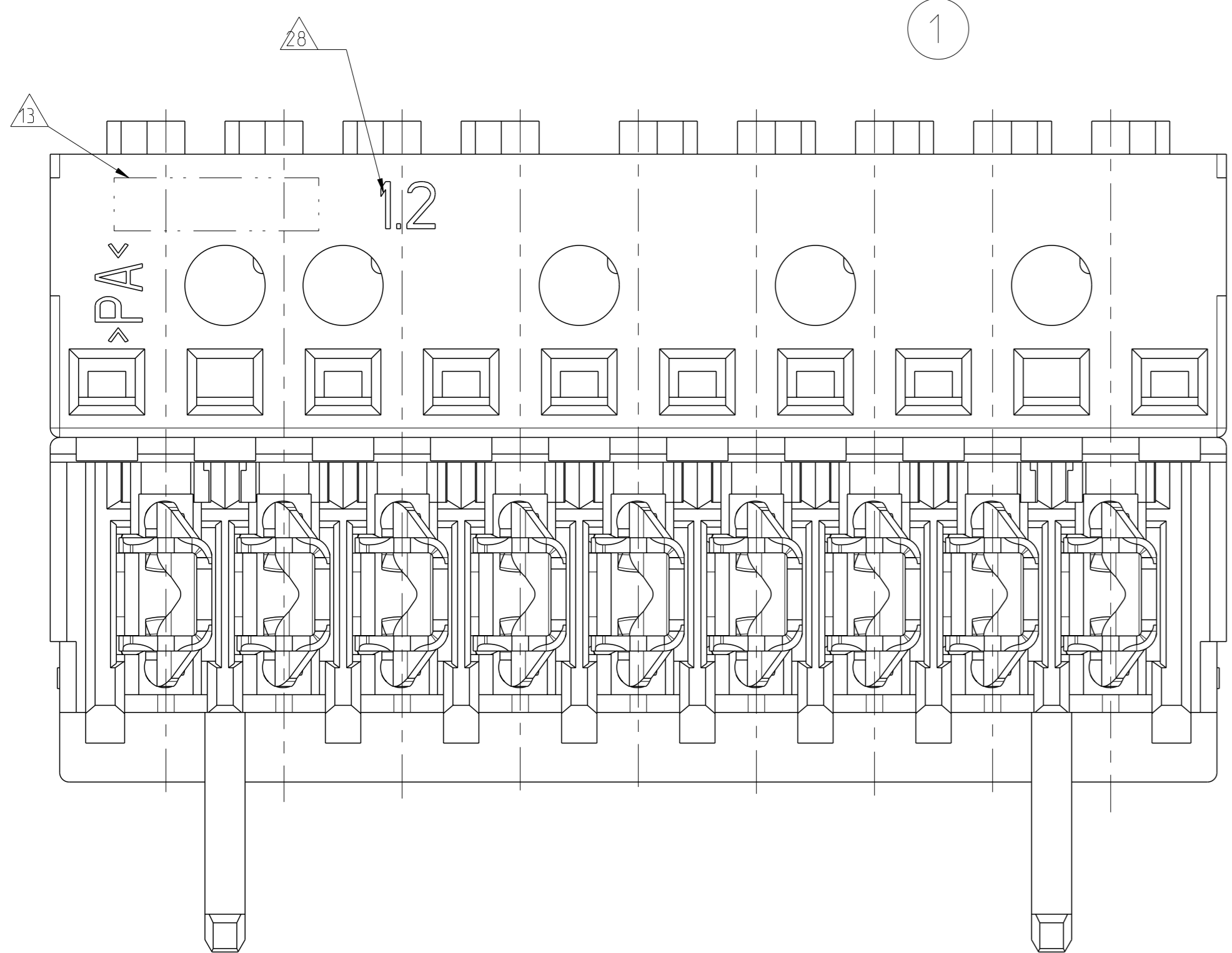
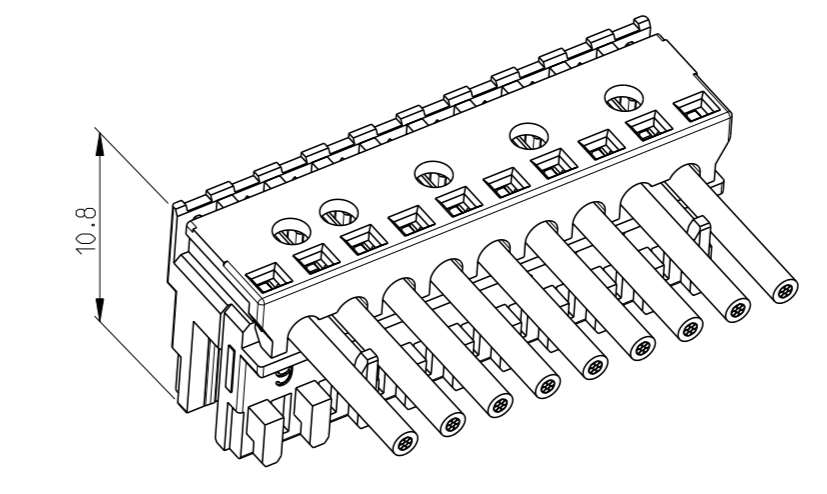
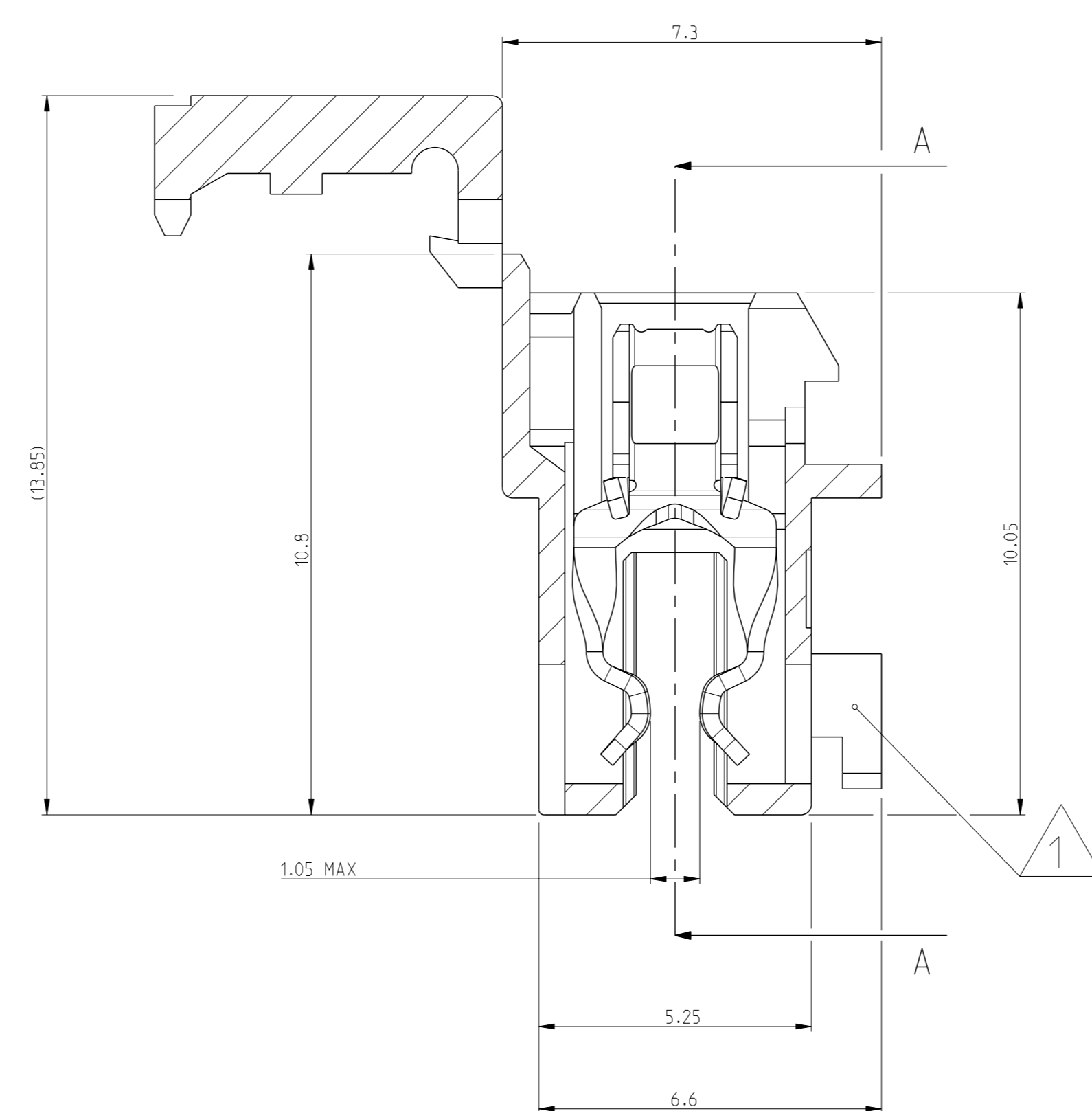
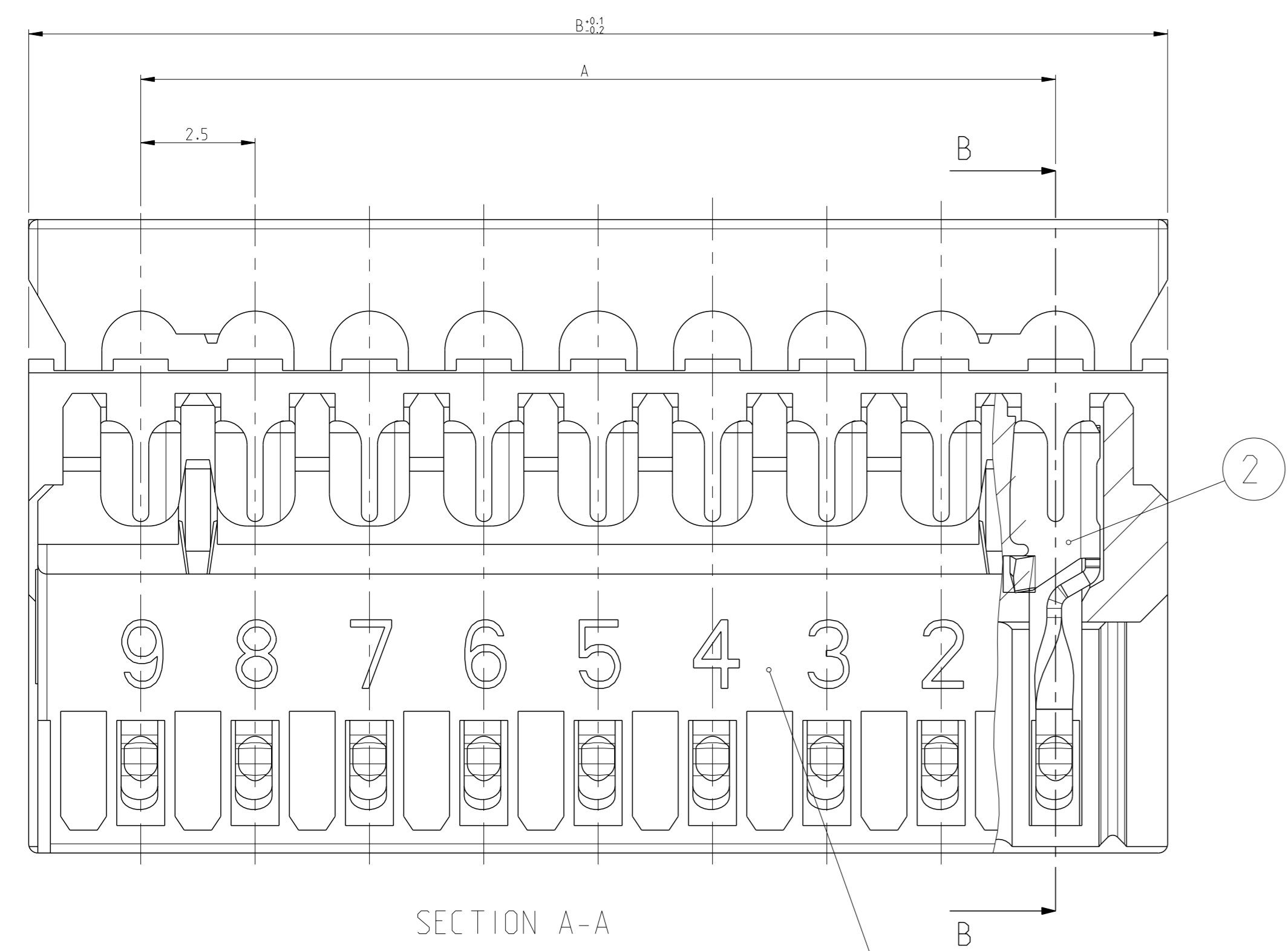
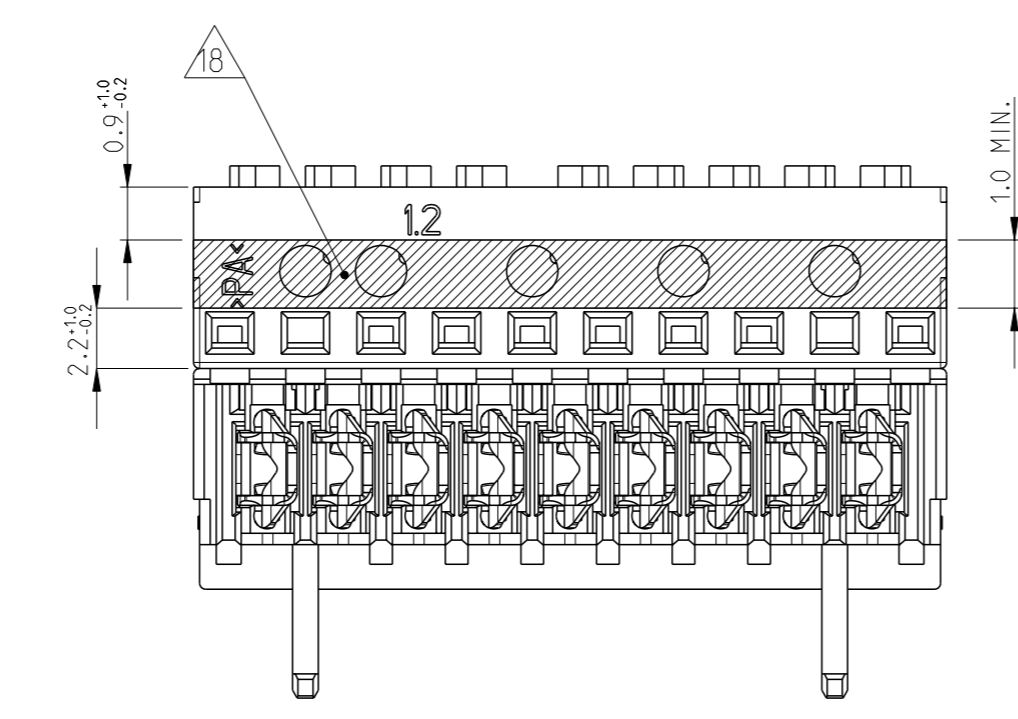
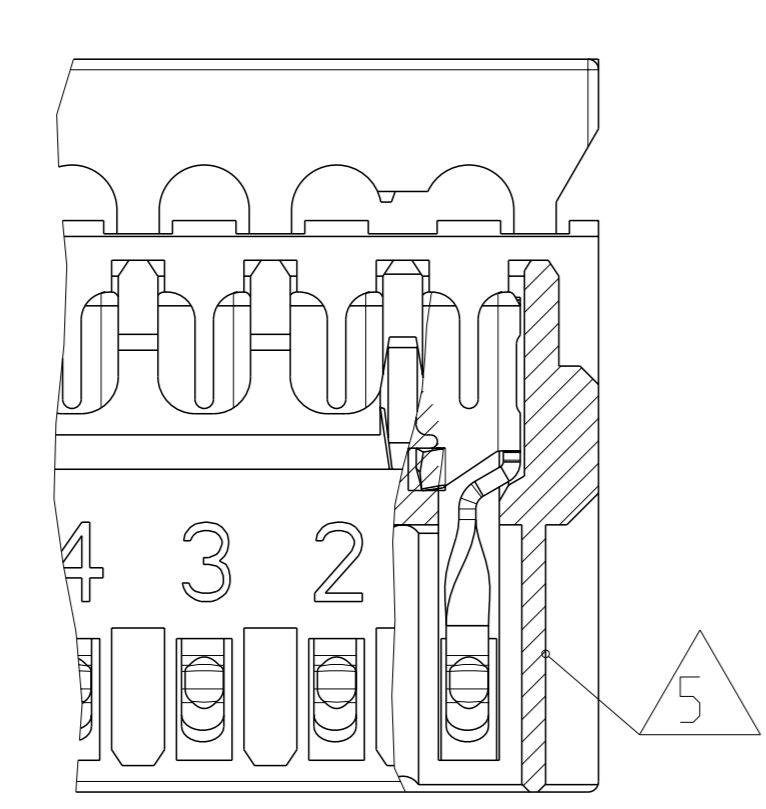
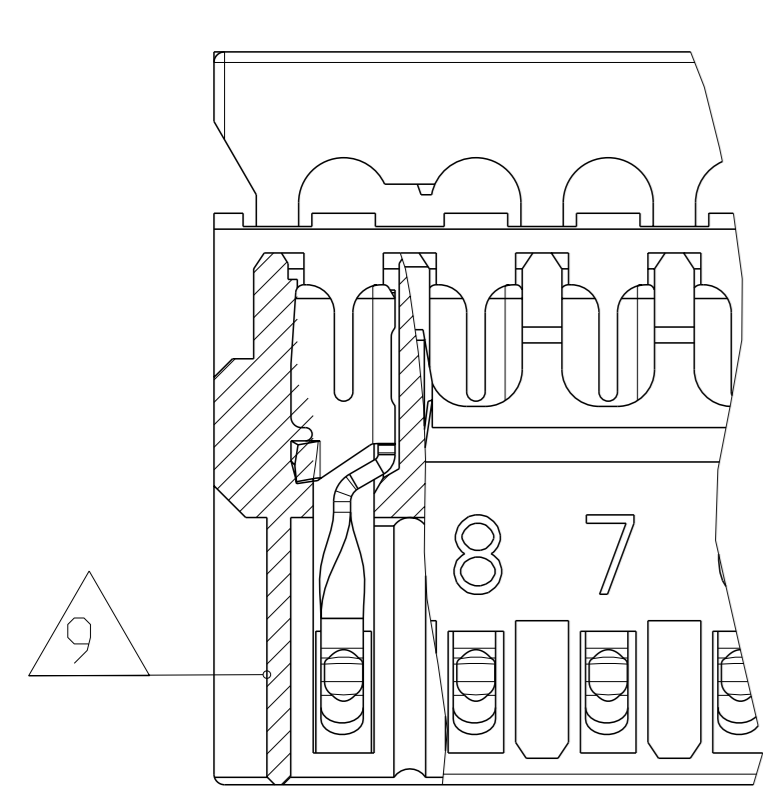


LOC		DIST		REVISIONS			
A1		-		REV	DATE	OWN	APPV
		D66	ECR-21-115157		28SEP2021	W W	FL



- 28 CAVITY ID STARTS WITH LETTER FOR PARTS PRODUCTION IN QINGDAO PLANT. SUCH AS "A1.1"
- 27 STRIPE IN YELLOW COLOR WHERE SHOWN. PRESENT ON THE PARTS PRODUCED IN TE COLLENO ONLY
- 26 DIMENSION AVAILABLE ONLY FOR PART X-2304525-X, X-2304526-X.
- 25 WITH SPECIAL CHAIN FEATURE
- 24 SIDE KEYING ON LAST CAVITY. THICK-1.5mm
- 23 -
- 19 SIDE KEYING. THICK. ON CAVITY No.1
- 18 COLOR STRIP ON COVER OF HOUSING. NOT THE COLOR OF HOUSING.
- 17 SLOT FOR KEYING. SLIM. BETWEEN POSITION
- 16 SLOT FOR KEYING. THICK. BETWEEN POSITION
- 15 KEYING. THICK. BETWEEN POSITION
- 14 COLOR CODE
- 13 TE LOGO
- 12 PRELIMINARY PART NOT RELEASED FOR PRODUCTION
- 11 KEYING. SLIM. BETWEEN POSITION
- 10 SLOT FOR SIDE KEYING. ON LAST CAVITY
- 9 SIDE KEYING. SLIM. ON LAST CAVITY
- 8 INCLUSIVE COPPER LOADING
- 7 PCB PREFERABLY CHAMFERED
- 6 SLOT FOR SIDE KEYING. ON CAVITY NO 1
- 5 SIDE KEYING. ON CAVITY NO. 1
- 4 WIRE RANGE: 0.22-0.35mm<sup>2</sup> SEE APPLICATION SPEC. 114-18467
- 3 IEC60695-2-11 / IEC60335-1 GLOW WIRE TEST 750 °C WITHOUT FLAME
- 2 MATING PART: PCB (WITH FRAMES ACC. RAST 2.5 E.G. PN 964 575/576) TAB HEADER (FOR EXAMPLE: X-1971817/818-Y)
- 1 KEYING RIBS; CUTTING WITH TERMINATION MACHINE POSSIBLE



THIS DRAWING IS A CONTROLLED DOCUMENT.		OWN H. Karabiyik 24MAY2002	NAME AMP DUOPLUG 2.5 MARK II FEMALE CONNECTOR 2-20 POSITION
DIMENSIONS: mm		CHK B. Schnaubelt 24MAY2002	RESTRICTED TO
TOLERANCES UNLESS OTHERWISE SPECIFIED:		APPV T. Klenner 24MAY2002	SCALE 10:1
0 PLC ±0.2	1 PLC ±0.2	PRODUCT SPEC	SHEET 1 OF 4
2 PLC ±0.2	3 PLC ±0.2	108-18785	REV D66
4 PLC ±	ANGLES ±°	APPLICATION SPEC	
MATERIAL -	FINISH -	114-18467	
		WEIGHT -	
		Customer Drawing	

LOC	DIST	REVISIONS			
		REV	DATE	BY	APPV
A1	-				
		SEE SHEET 1			

GWEPT 750°C NO FLAME & UL94-V2, TIN PLATED VERSION (2-9 POSITION)											
SL NO	PN	DESCRIPTION	MATERIAL	COLOUR/FINISH	TE	P/N	KEYING	KEYING	KEYING	KEYING	
9	20	24.9				2/3					5-1534796-9
9	20	24.9				4/5					2-1534796-9 $\Delta_{12}$
9	20	24.9									3-1534796-9
9	20	24.9	X			3/4					4-1534796-9 $\Delta_{12}$
Brown	8	17.5	22.4			2/3					9-1534796-8
	8	17.5	22.4	X		3/4					8-1534796-8
	8	17.5	22.4		X	3/4					7-1534796-8
	8	17.5	22.4			3/4					6-1534796-8
	8	17.5	22.4		X						5-1534796-8
	8	17.5	22.4								3-1534796-8
	8	17.5	22.4			5/6					2-1534796-8
	7	15	19.9			2/3					7-1534796-7
BLUE	7	15	19.9			2/3					6-1534796-7
BLUE	7	15	19.9	X		2/3					4-1534796-7 $\Delta_{12}$
	7	15	19.9			5/6					5-1534796-7 $\Delta_{12}$
	7	15	19.9								3-1534796-7
	6	12.5	17.4			2/3	X	X			9-1534796-6
	6	12.5	17.4			1/2					8-1534796-6 $\Delta_{12}$
	6	12.5	17.4			3/4					7-1534796-6 $\Delta_{12}$
	6	12.5	17.4			2/3					6-1534796-6
BLUE	6	12.5	17.4			4/5					2-1534796-6
	6	12.5	17.4			4/5					5-1534796-6
	6	12.5	17.4		X						4-1534796-6
	6	12.5	17.4								3-1534796-6
RED	5	10	14.9			4/5					8-1534796-5
	5	10	14.9			1/2					9-1534796-5
	5	10	14.9			1/2					4-1534796-5 $\Delta_{12}$
GREEN	5	10	14.9			3/4					7-1534796-5
BROWN	5	10	14.9			2/3					6-1534796-5
	5	10	14.9		X						5-1534796-5 $\Delta_{12}$
	5	10	14.9								3-1534796-5
BROWN	5	10	14.9			1/2					0-1534796-5 $\Delta_{12}$
GREEN	4	7.5	12.4		X						1-2825353-4
	4	7.5	12.4		X						0-2825353-4 $\Delta_{12}$
RED	4	7.5	12.4								9-1534796-4
BLACK	4	7.5	12.4			2/3					8-1534796-4
BLACK	4	7.5	12.4	X		2/3					2-1534796-4 $\Delta_{12}$
BLACK	4	7.5	12.4			3/4					5-1534796-4
	4	7.5	12.4			1/2					6-1534796-4
	4	7.5	12.4	X		1/2					1534796-4 $\Delta_{12}$
	4	7.5	12.4			3/4					7-1534796-4 $\Delta_{12}$
	4	7.5	12.4		X						4-1534796-4
	4	7.5	12.4								3-1534796-4
RED	3	5	9.9			2/3					2-1534796-3
	3	5	9.9		X						8-1534796-3 $\Delta_{12}$
RED	3	5	9.9			2/3					9-1534796-3
	3	5	9.9			2/3					6-1534796-3
	3	5	9.9			1/2					7-1534796-3
	3	5	9.9			2/3	X				4-1534796-3 $\Delta_{12}$
	3	5	9.9								3-1534796-3
	2	2.5	7.4			1/2					1-1534796-2
	2	2.5	7.4								1534796-2

GWEPT 750°C NO FLAME & UL94-V2, TIN PLATED VERSION (10-20 POSITION)												
SL NO	PN	DESCRIPTION	MATERIAL	COLOUR/FINISH	TE	P/N	KEYING	KEYING	KEYING	KEYING	KEYING	KEYING
	20	47.5	52.4									3-1534797-0 $\Delta_{12}$
	19	45	49.9									5-1534797-9 $\Delta_{12}$
	19	45	49.9									4-1534797-9
	19	45	49.9									3-1534797-9
	16	37.5	42.4									3-1534797-6
	15	35	39.9									3-1534797-5
	14	32.5	37.4									3-1534797-4
	13	30	34.9									3-1534797-3
	12	27.5	32.4			11/12						5-1534797-2 $\Delta_{12}$
	12	27.5	32.4							X		4-1534797-2
	12	27.5	32.4									3-1534797-2
	12	27.5	32.4	X	X		10/11	2/3				2-1534797-2
	11	25	29.9				5/6					7-1534797-1
	11	25	29.9					10/11				6-1534797-1 $\Delta_{12}$
	11	25	29.9					10/11		X		5-1534797-1 $\Delta_{12}$
	11	25	29.9					9/10				4-1534797-1
	11	25	29.9									3-1534797-1
	10	22.5	27.4					2/3				6-1534796-0
	10	22.5	27.4					8/9				4-1534796-0 $\Delta_{12}$
	10	22.5	27.4									3-1534796-0
	10	22.5	27.4					7/8				7-1534796-0

COLOR CODE	POS.	DIM A	DIM B	KEYING	KEYING	KEYING	KEYING	KEYING	KEYING	KEYING	KEYING	TE P/N
2	SEE TABLE			CONTACT								TINNED
1	SEE TABLE			HOUSING								NATUR
SL NO	PN	DESCRIPTION	MATERIAL	COLOUR/FINISH								

COLOR CODE	POS.	DIM A	DIM B	KEYING	KEYING	KEYING	KEYING	KEYING	KEYING	KEYING	KEYING	TE P/N
2	SEE TABLE			CONTACT								TINNED
1	SEE TABLE			HOUSING								NATUR
SL NO	PN	DESCRIPTION	MATERIAL	COLOUR/FINISH								

THIS DRAWING IS A CONTROLLED DOCUMENT. OWN: H. Karabiyik, 24MAY2002  
 CHK: B. Schnaubelt, 24MAY2002  
 APVD: T. Klenner, 24MAY2002

**STE** TE Connectivity

NAME: AMP DUOPLUG 2.5 MARK II FEMALE CONNECTOR 2-20 POSITION

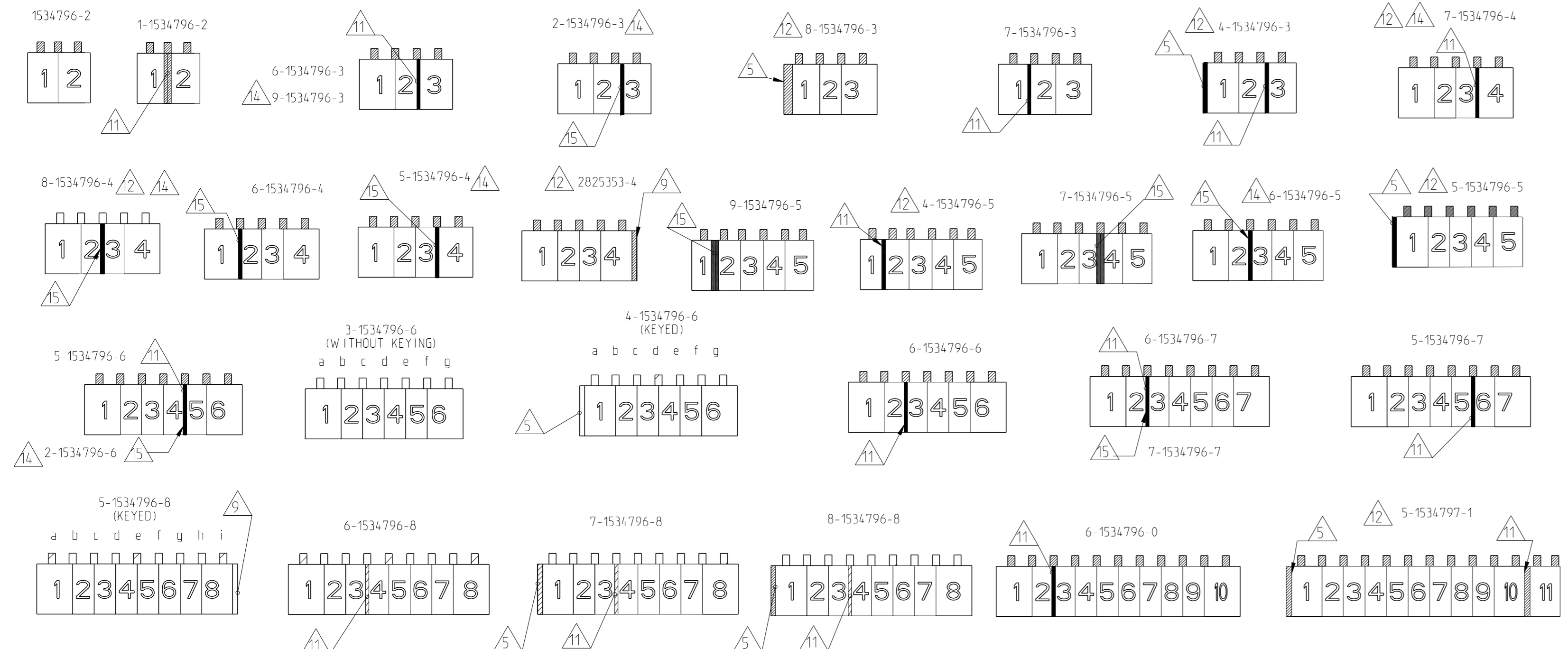
PRODUCT SPEC: 108-18785  
 APPLICATION SPEC: 114-18467

SIZE: A1 CAGE CODE: 00779 DRAWING NO: 1534796 RESTRICTED TO: -  
 WEIGHT: - SCALE: 10:1 SHEET: 2 OF 4 REV: 066

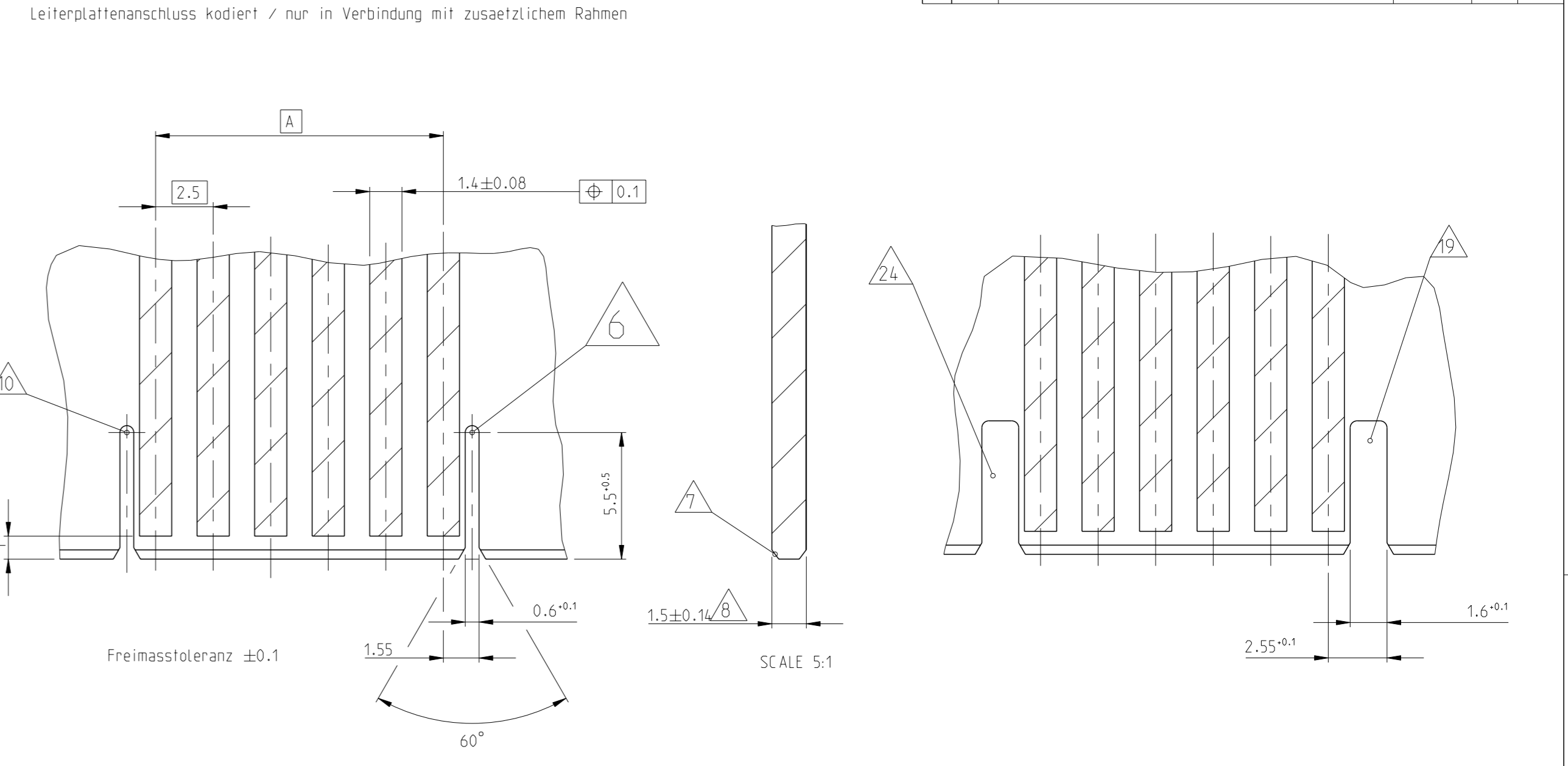
Customer Drawing

LOC		DIST		REVISIONS			
P	LYR	DATE	DESCRIPTION	DATE	OWN	APVD	
-	-	-	SEE SHEET 1	-	-	-	

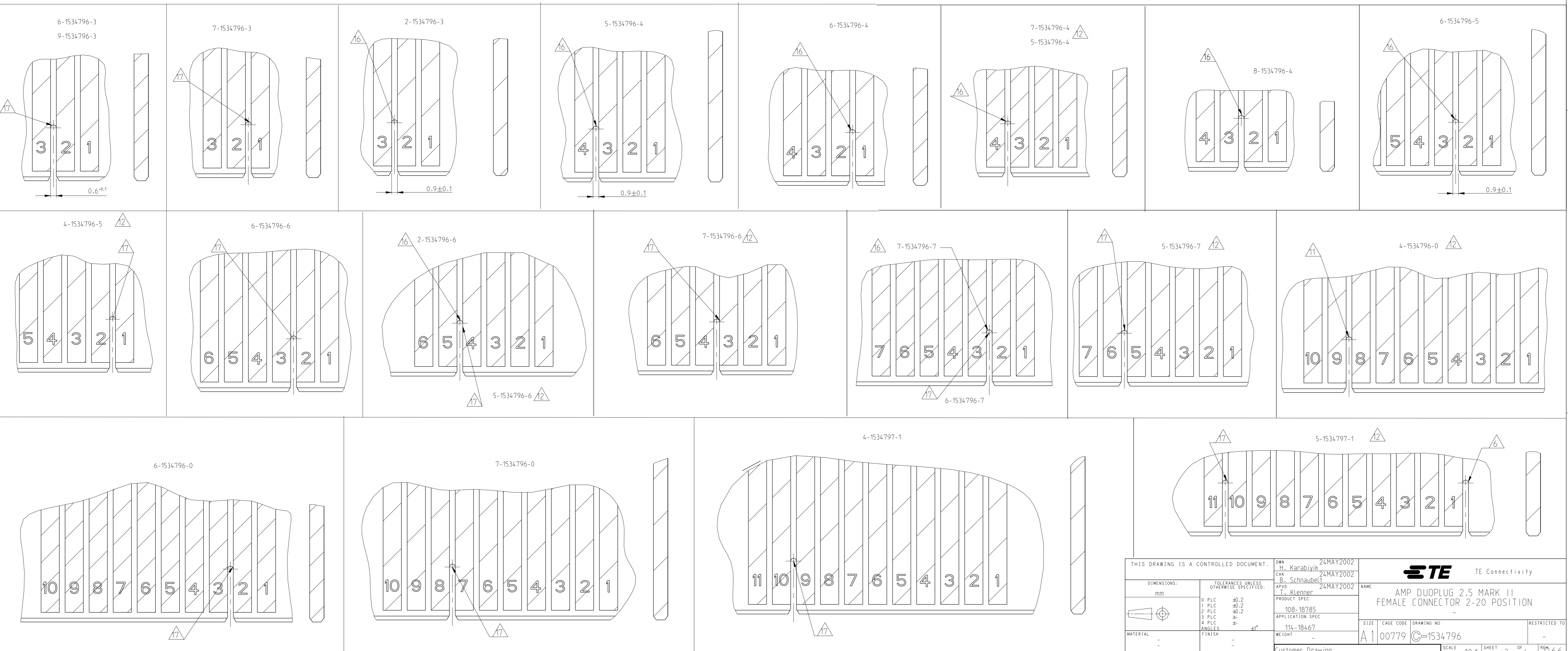
**KEYING PLAN (EXAMPLES)**  
 Kodierschema (Beispiele)



**PCB LAYOUT KEYED / CONNECTED ONLY WITH ADDITIONAL FRAME**

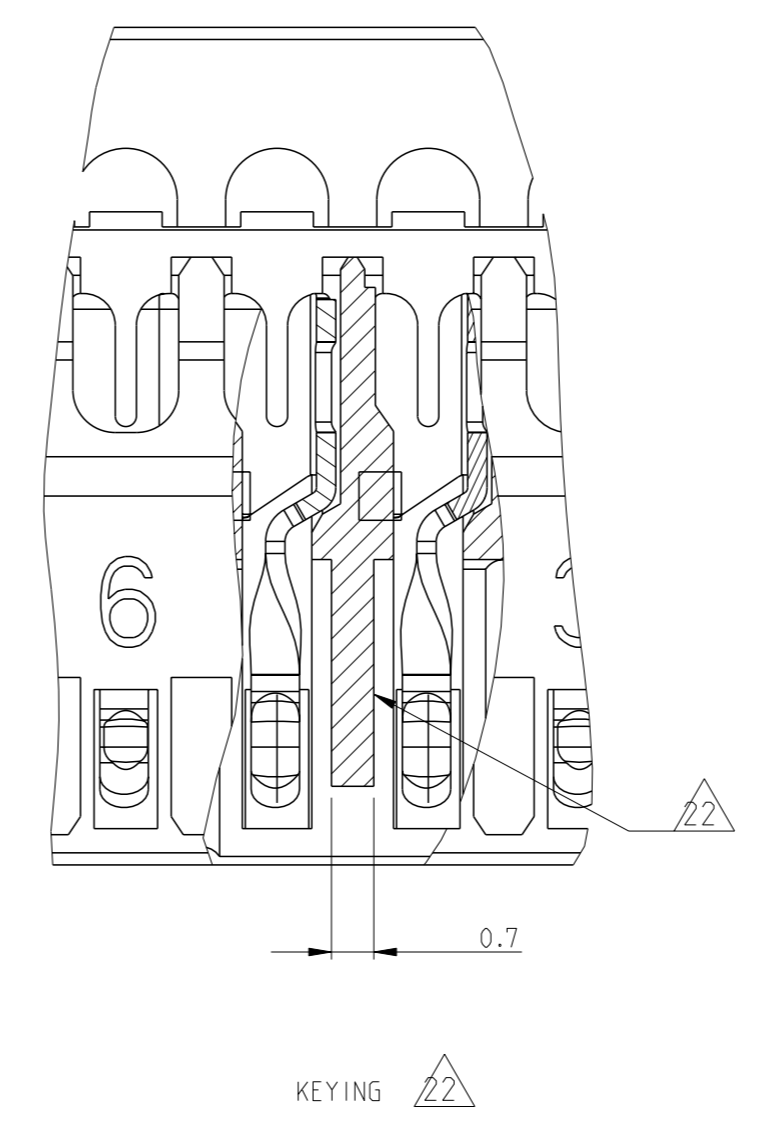
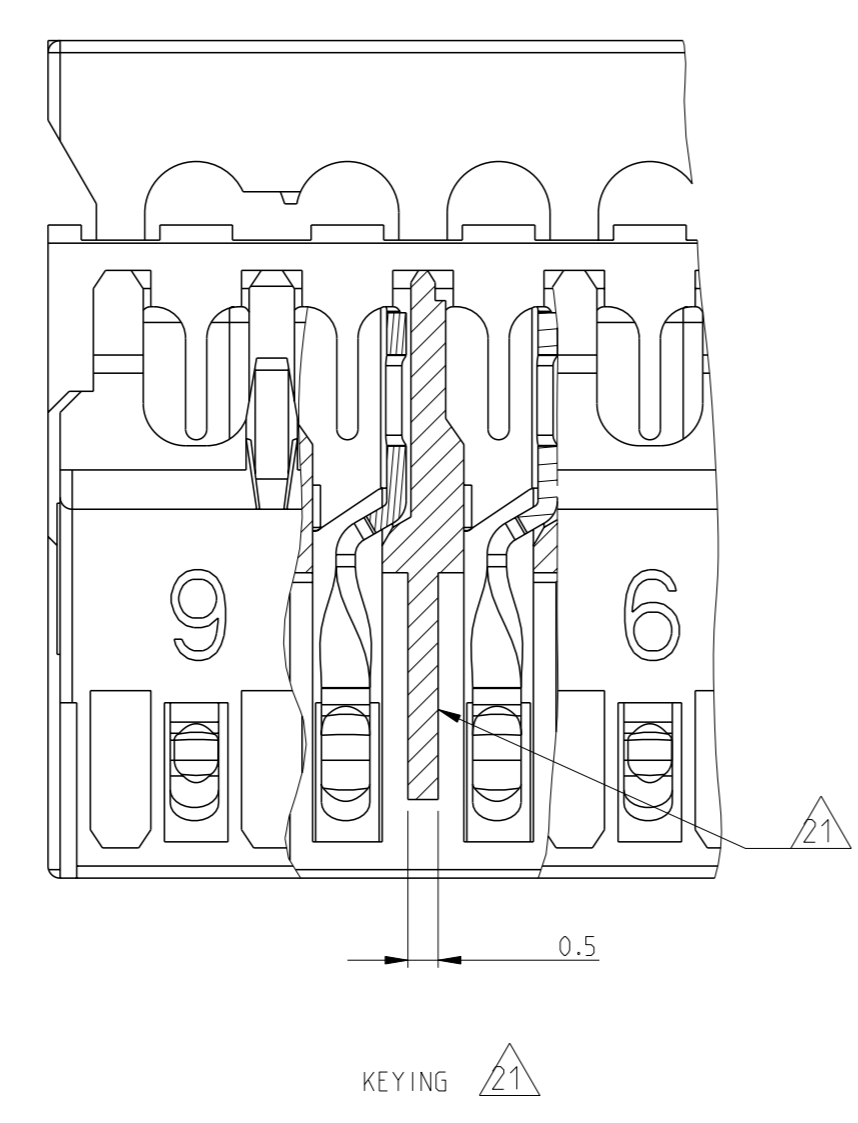


**PCB LAYOUT FOR KEYING BETWEEN POSITION**

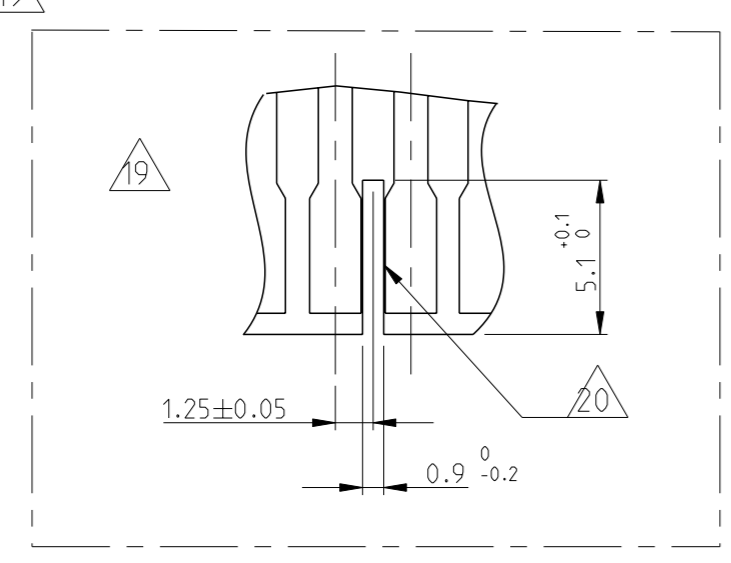


THIS DRAWING IS A CONTROLLED DOCUMENT.		OWN: H. Karabiyik 24MAY2002	TE Connectivity
DIMENSIONS: mm		CHK: B. Schnaubelt 24MAY2002	
TOLERANCES UNLESS OTHERWISE SPECIFIED:		APVD: T. Klenner 24MAY2002	NAME: AMP DUOPLUG 2.5 MARK II FEMALE CONNECTOR 2-20 POSITION
0 PLC ±0.2 1 PLC ±0.2 2 PLC ±0.2 3 PLC ±0.2 4 PLC ±0.2 ANGLES ±° FINISH ±*		PRODUCT SPEC: 108-18785	SIZE: 114-18467
MATERIAL: -		WEIGHT: -	RESTRICTED TO: -
Customer Drawing		SCALE: 10:1	SHEET: 3 of 4

LOC	DIST	REVISIONS					
		P	LYR	DESCRIPTION	DATE	OWN	APVD
A1	-	-	-	SEE SHEET 1	-	-	-



- 22 KEYING. SPECIAL THICK. BETWEEN POSITION
- 21 KEYING. SPECIAL THIN. BETWEEN POSITION
- 20 SLOT FOR KEYING SPECIAL. BETWEEN POSITION
- 19 RECOMMENDED PCB CUTOFF DIMENSION FOR THE KEYING SPECIAL. BETWEEN POSITION



GWEPT 750°C NO FLAME & UL94-V0. TIN PLATED VERSION									
	14	32.5	37.4						2304526-4 12
	12	27.5	32.4						2304526-2
	10	22.5	27.4						1-2304525-0
	9	20	24.9	-	-	-	-		3-2304525-9
Blue	8	17.5	22.4	-	-	-	-		2-2304525-8
	8	17.5	22.4	-	-	-	-		1-2304525-8
Brown	8	17.5	22.4	-	-	-	2/3		2304525-8
	7	15	19.9	-	-	-	-		2304525-7
Black	6	12.5	17.4	-	-	-	-		4-2304525-6
GREEN	6	12.5	17.4	-	-	-	1/2		3-2304525-6
Red	6	12.5	17.4	-	-	-	2/3		2-2304525-6
	6	12.5	17.4	-	-	-	-		1-2304525-6
Blue	6	12.5	17.4	-	-	-	4/5		2304525-6
	5	10	14.9	4/5					5-2304525-5
	5	10	14.9		1/2				4-2304525-5
Green	5	10	14.9	-	-	-	3/4		2-2304525-5
Brown	5	10	14.9	-	-	-	2/3		1-2304525-5
	5	10	14.9	-	-	-	-		2304525-5
Black	4	7.5	12.4	-	3/4				4-2304525-4
Blue	4	7.5	12.4	-	-				3-2304525-4
	4	7.5	12.4	-	-				2-2304525-4
Brown	4	7.5	12.4	-	-		1/2		1-2304525-4
Black	4	7.5	12.4	-	-		3/4		2304525-4
Red	3	5	9.9		2/3				3-2304525-3
	3	5	9.9					X	2-2304525-3 12
	3	5	9.9	-	-	-	-		1-2304525-3
Black	3	5	9.9	-	-	1/2			2304525-3
Color Code 14	POS. Polzahl	DIM A	DIM B	11 KEYING	15 KEYING	22 KEYING	21 KEYING	5 KEYING	PN Bestell-Nr. 25
2	SEE TABLE	CONTACT		CuSn		TINNED			
1		HOUSING		HIGH TEMP PLASTIC 3		NATUR			
SL NO	PN	DESCRIPTION		MATERIAL		COLOUR/FINISH			

THIS DRAWING IS A CONTROLLED DOCUMENT.

OWN: H. Karabiyik 24MAY2002  
 CHK: B. Schnaubelt 24MAY2002  
 APVD: T. Klenner 24MAY2002

**STE** TE Connectivity

NAME: AMP DUOPLUG 2.5 MARK II FEMALE CONNECTOR 2-20 POSITION

PRODUCT SPEC: 108-18785  
 APPLICATION SPEC: 114-18467

SIZE: A1 00779 C=1534796  
 CAGE CODE: 114-18467  
 DRAWING NO: 108-18785

RESTRICTED TO: -

Customer Drawing SCALE: 10:1 SHEET: 4 OF 4 REV: U66

# Mouser Electronics

Authorized Distributor

Click to View Pricing, Inventory, Delivery & Lifecycle Information:

[TE Connectivity:](#)

[3-1534796-6](#)