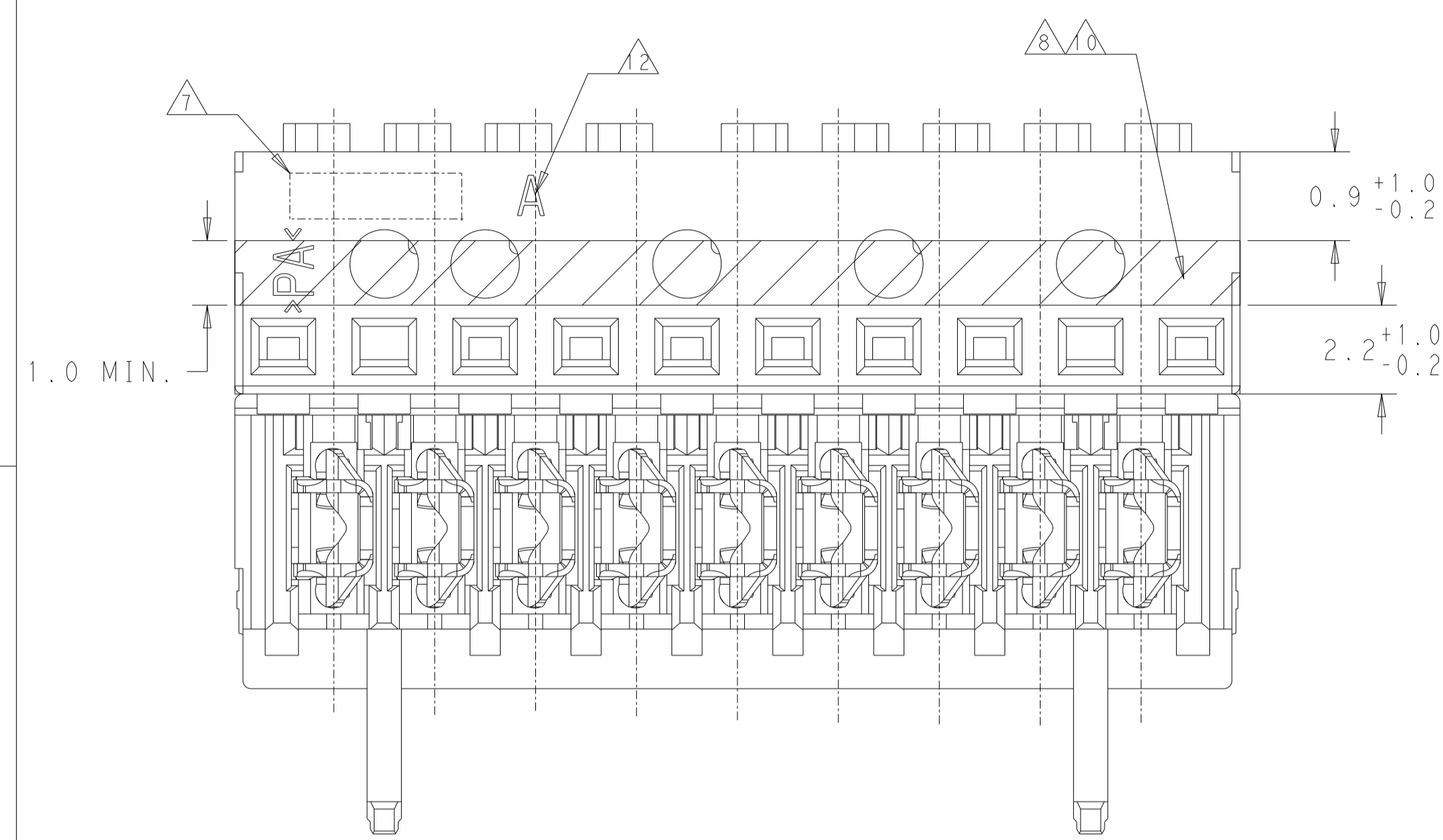
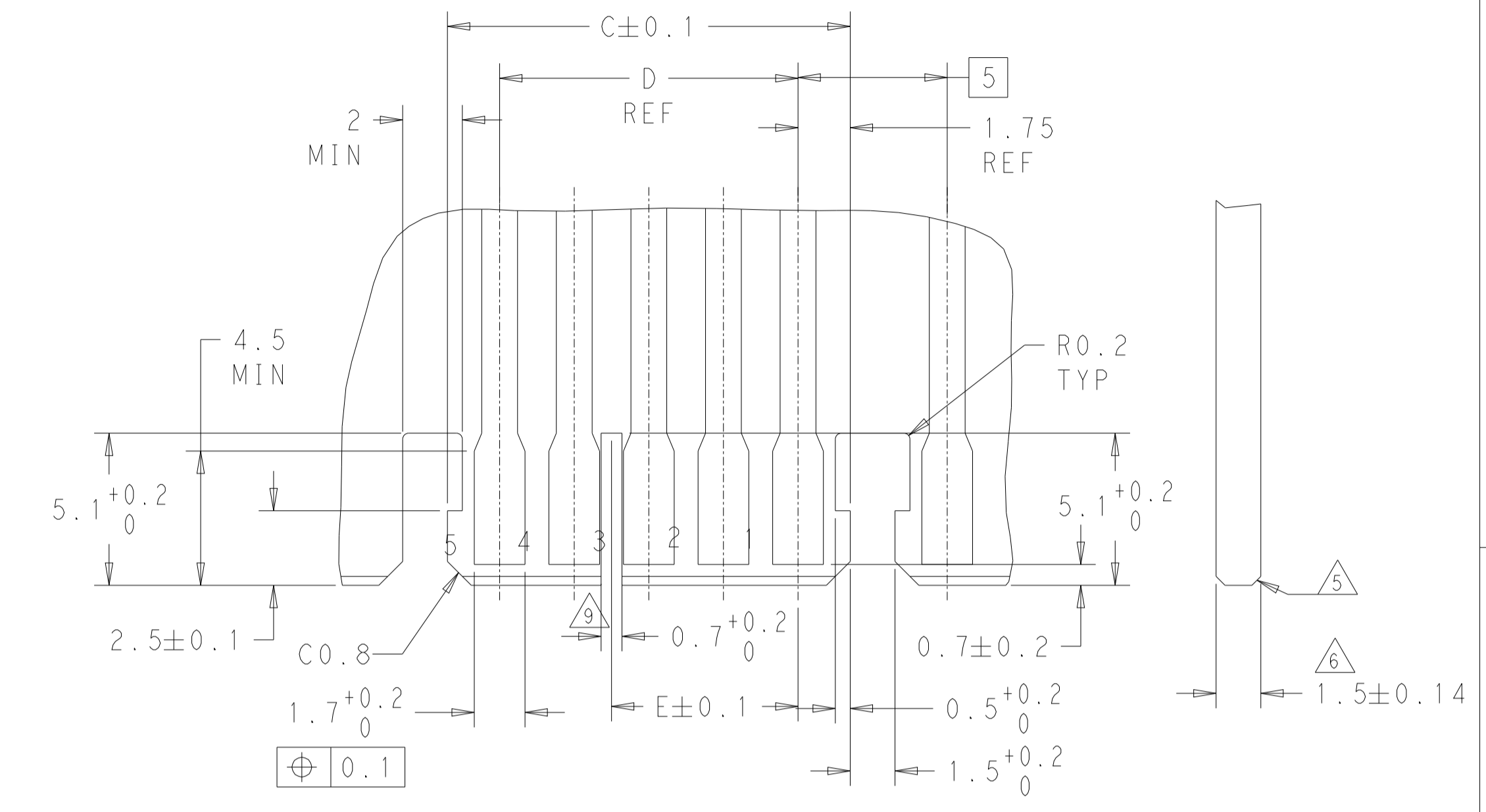


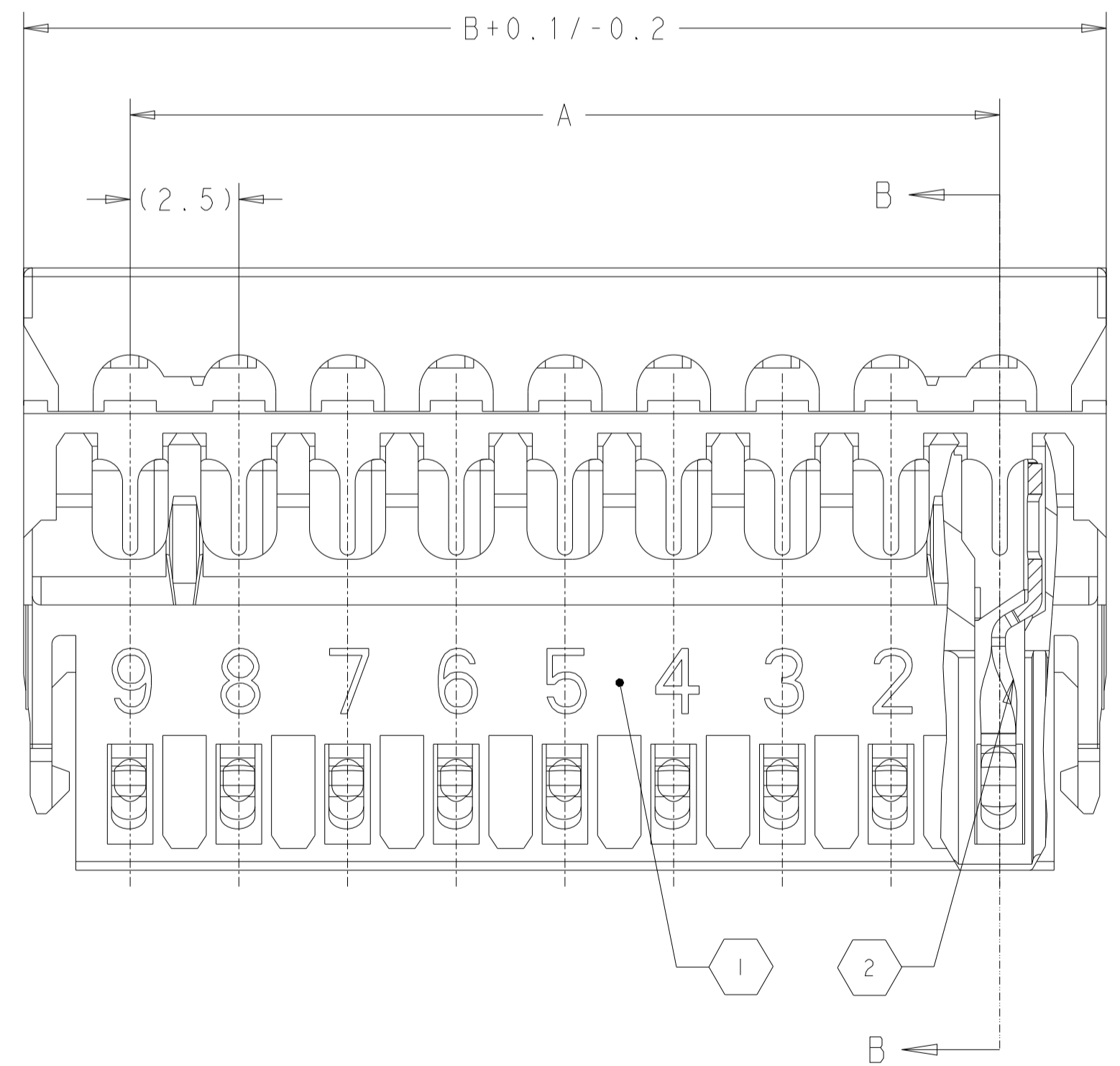
REVISIONS				
P	LTN	DESCRIPTION	DATE	APVD
B12	ECR-21-105046		28 JUN 2021	SM FL
B13	ECR-21-105810		05 JUL 2021	SM FL
B14	ECR-21-107712		27 JUL 2021	SM FL
B15	ECR-21-114094		22 SEP 2021	SM FL



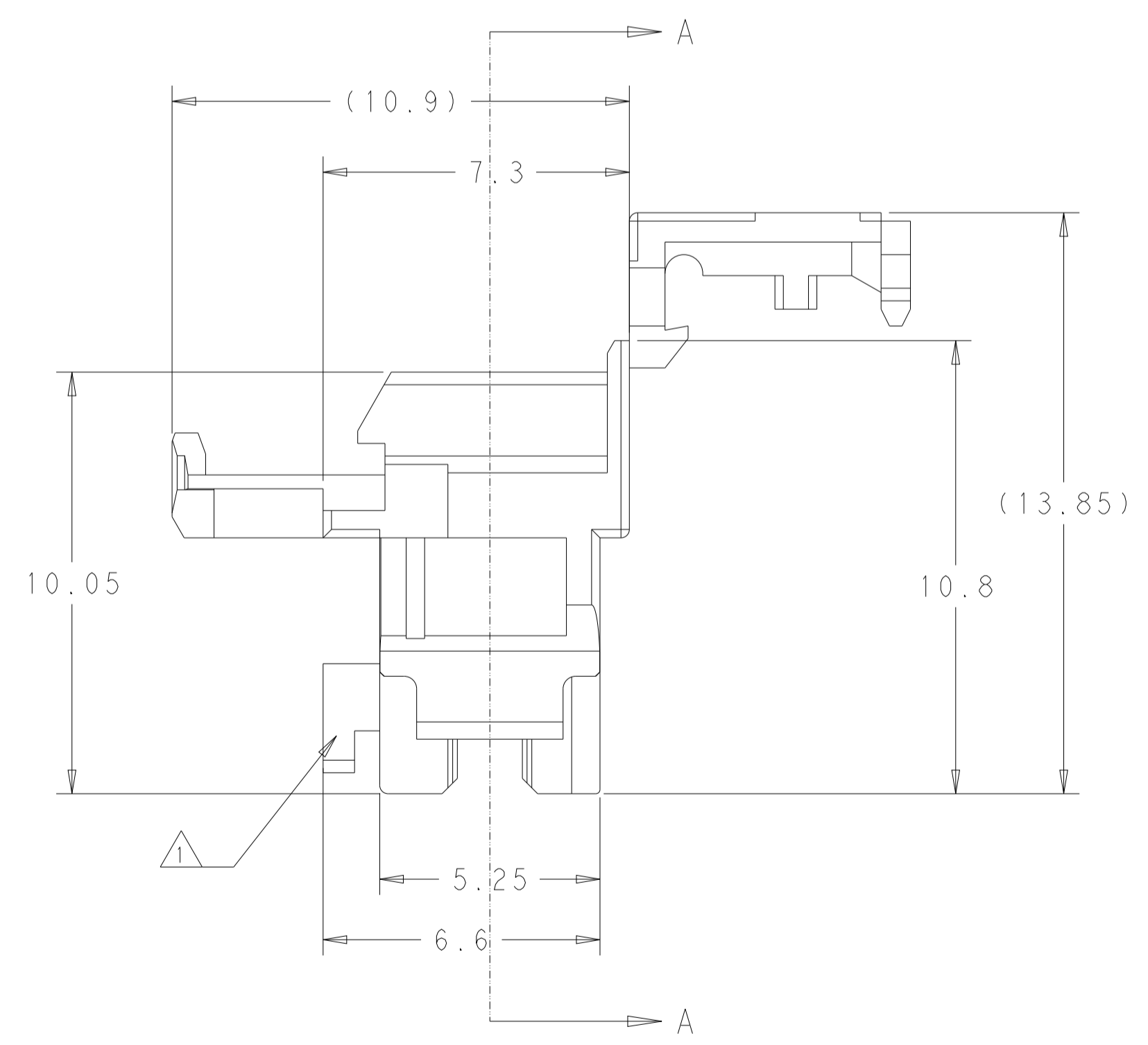
- 1 STRIPE IN YELLOW COLOR WHERE SHOWN PRESENT ON THE PARTS PRODUCED IN TE COLLEGO ONLY
- 2 PNs WITHOUT THE INTERNAL WALL NEED ASSISTANT GUIDE DURING THE APPLICATION SUCH AS RAST TAB HEADER
- 3 PRELIMINARY PART NOT RELEASED FOR PRODUCTION
- 4 CAVITY NO.
- 5 KEYING, BETWEEN POSITION
- 6 COLOR MARKING IN THIS AREA.
- 7 SLOT FOR KEYING BETWEEN POSITION
- 8 COLOR STRIP ON COVER OF HOUSING. NOT THE COLOR OF HOUSING
- 9 TE LOGO
- 10 INCLUSIVE COPPER LOADING
- 11 PCB PREFERABLY CHAMFERED
- 12 WIRE RANGE: 0.22-0.35mm<sup>2</sup> SEE APPLICATION SPEC. 114-18467-1
- 13 IEC60695-2-11 / IEC60335-1 GLOW WIRE TEST 750 °C WITHOUT FLAME



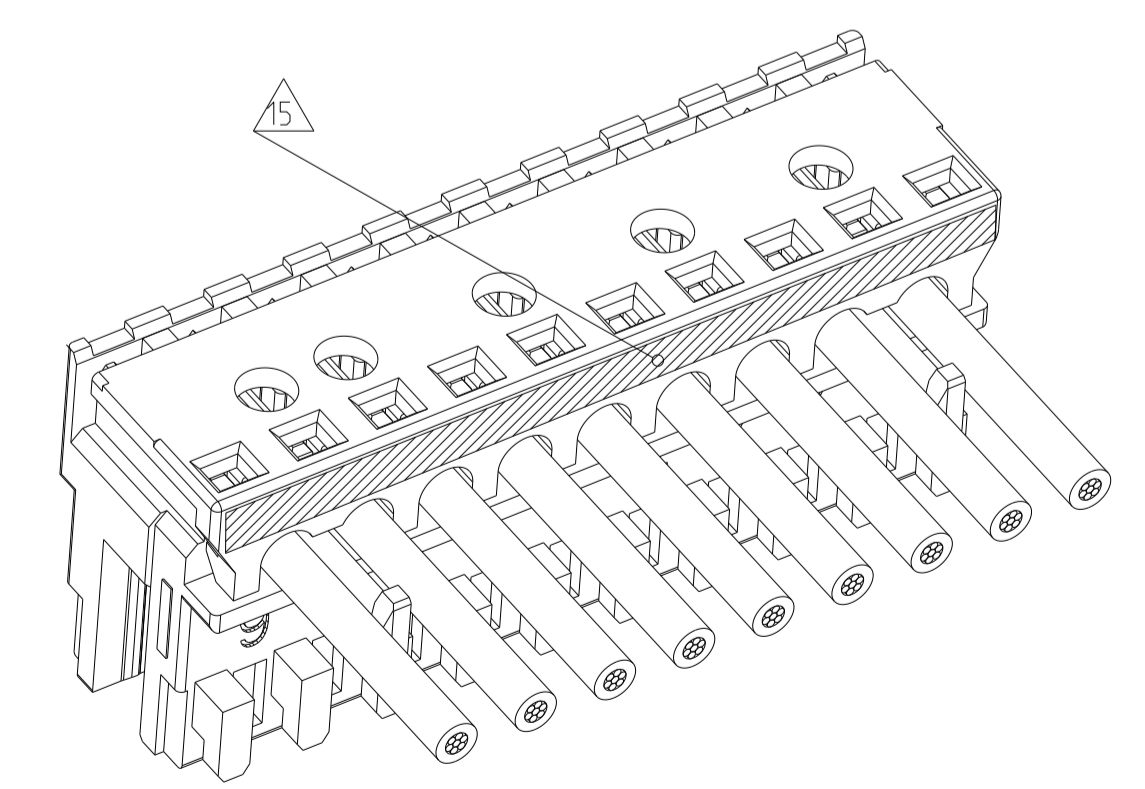
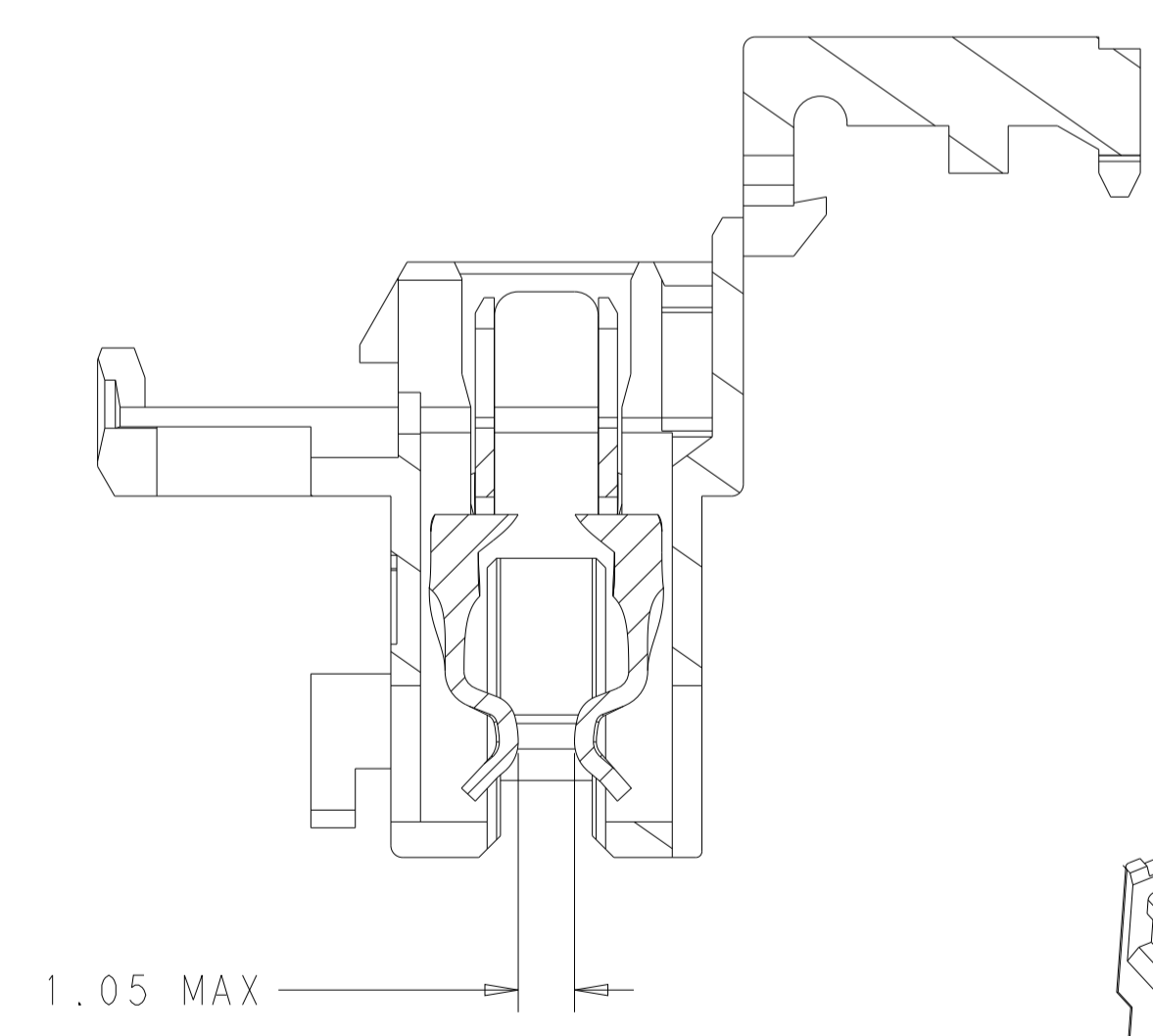
PCB LAYOUT - SOLDERING SIDE



SECTION A-A



SECTION B-B



2	SEE TABLE	CONTACT	CuSn
1	SEE TABLE	HOUSING	PA 3
SL NO	PN	DESCRIPTION	MATERIAL

THIS DRAWING IS A CONTROLLED DOCUMENT.

DIMENSIONS:	TOLERANCES UNLESS OTHERWISE SPECIFIED:	0 PLC ±0.2	1 PLC ±0.2	2 PLC ±0.2	3 PLC ±0.2	4 PLC ±0.2	ANGLES ±0.2
-------------	--	------------	------------	------------	------------	------------	-------------


OWN: Winter Wang	22-Sep-21	NAME: DUOPLUG MARK 11 SIDE LOCKING
CHK: Daniel Zhong	15-Mar-17	SIZE: A1
APVD: Riccardo Robore	15-Mar-17	SCALE: 8:1
PRODUCT SPEC: 108-18785-1	APPLICATION SPEC: 114-18467-1	SHEET 1 OF 2
WEIGHT: -	CUSTOMER DRAWING	REV: B15

STE TE Connectivity

REVISIONS				
P	LTN	DESCRIPTION	DATE	OWN APVD
-		SEE SHEET 1	-	-

GWEPT 750°C NO FLAME & UL94-VO, SILVER PLATED VERSION																		
-	X	X	X	X	X	X	X	X	X	X	9	20.0	24.9	23.5	20.0	3.75	2/3	1-2369990-9/3
Red											4	7.5	12.4	11.0	7.5	6.25	3/4	1-2369990-4/3
Color Code	10	9	8	7	6	5	4	3	2	1	POS.	A	B	C	D	E	KEYING	PN Bestell-Nr.
	CAVITIES LOADED																	

GWEPT 750°C NO FLAME & UL94-VO, TIN PLATED VERSION																		
-	X	0	X	X	0	X	0	X	0	X	10	22.5	27.4	26	22.5	6.25	3/4	1-2306287-0/3
-	X	X	X	X	X	X	X	X	X	X						3.75	2/3	1-2306286-0
-			X	X	X	X	X	X	X	X	9	20	24.9	23.5	20	3.75	2/3	1-2306286-9
Black	X	X	X	X	X	X	X	X	X	2/3							2306286-9	
-		X	0	X	0	X	0	X	0	X						2/3	3-2306287-9	
-		X	0	X	X	0	X	0	X	X						2/3	2-2306287-9	
-		X	X	0	X	0	X	0	X	X						-	1-2306287-9	
Green		X	0	X	X	0	X	0	X	X						3.75	2/3	2306287-9/4
-			X	X	X	X	X	X	X	X	8	17.5	22.4	21	17.5	11.25	5/6	1-2306286-8
-			X	X	X	X	X	X	X	3.75						2/3	2306286-8/3	
-				X	0	X	0	X	0	X	7	15	19.9	18.5	15	3.75	2/3	1-2306287-7
Blue				X	0	X	0	X	0	X							2/3	2306287-7
-				X	X	X	X	X	X	X						5/6	2-2306286-7	
-				X	X	X	X	X	X	X						2/3	1-2306286-7	
Black				X	X	X	X	X	X	X						2/3	2306286-7	
-					X	X	X	X	X	X	6	12.5	17.4	16	12.5	8.75	4/5	2-2306286-6
-					X	X	X	X	X	3.75						2/3	1-2306286-6	
-					X	X	X	X	X	X						1.25	1/2	2306286-6
-					X	0	X	X	0	X						8.75	4/5	2-2306287-6
-					X	0	X	X	0	X						3.75	2/3	1-2306287-6
Black					X	0	X	X	0	X						3.75	2/3	2306287-6
-						X	0	X	0	X	5	10	14.9	13.5	10	3.75	2/3	2-2306287-5
-						X	X	X	0	X						6.25	3/4	1-2306287-5
Blue						X	X	X	0	X						6.25	3/4	2306287-5
-						X	X	X	X	X						1.25	1/2	5-2306286-5
-						X	X	X	X	X						6.25	3/4	4-2306286-5
-						X	X	X	X	X						3.75	2/3	3-2306286-5
Green						X	X	X	X	X						1.25	1/2	2-2306286-5
Red						X	X	X	X	X						6.25	3/4	1-2306286-5
Black						X	X	X	X	X						3.75	2/3	2306286-5
-							X	X	X	X	4	7.5	12.4	11	7.5	6.25	3/4	3-2306286-4
-							X	X	X	X						1.25	1/2	2-2306286-4
Red							X	X	X	X						6.25	3/4	1-2306286-4
Black							X	X	X	X						1.25	1/2	2306286-4
-								X	0	X	3	5	9.9	8.5	5	1.25	1/2	3-2306287-3
-								X	0	X						3.75	2/3	2-2306287-3
Green								X	0	X						1.25	1/2	1-2306287-3
Blue								X	0	X						3.75	2/3	2306287-3
-								X	X	X						3.75	2/3	3-2306286-3
-								X	X	X						1.25	1/2	2-2306286-3
Black								X	X	X						3.75	2/3	1-2306286-3
Red								X	X	X						1.25	1/2	2306286-3
Color Code	10	9	8	7	6	5	4	3	2	1	POS.	A	B	C	D	E	KEYING	PN Bestell-Nr.
	CAVITIES LOADED																	

THIS DRAWING IS A CONTROLLED DOCUMENT.		OWN Winter Wang 22-Sep-21 CHK Daniel Zhong 15-Mar-17	 TE Connectivity NAME DUOPLUG MARK 11 SIDE LOCKING
DIMENSIONS:	TOLERANCES UNLESS OTHERWISE SPECIFIED:	APVD Riccardo Robore 15-Mar-17	
mm	0 PLC ±0.2 1 PLC ±0.2 2 PLC ±0.2 3 PLC ±0.2 4 PLC ±0.2 ANGLES ±0.2 FINISH	PRODUCT SPEC 108-18785-1 APPLICATION SPEC 114-18467-1	SIZE A1
MATERIAL		WEIGHT	RESTRICTED TO
		CUSTOMER DRAWING	SCALE 8:1 SHEET 2 OF 2 REV B15

# Mouser Electronics

Authorized Distributor

Click to View Pricing, Inventory, Delivery & Lifecycle Information:

[TE Connectivity:](#)

[1534415-2](#)