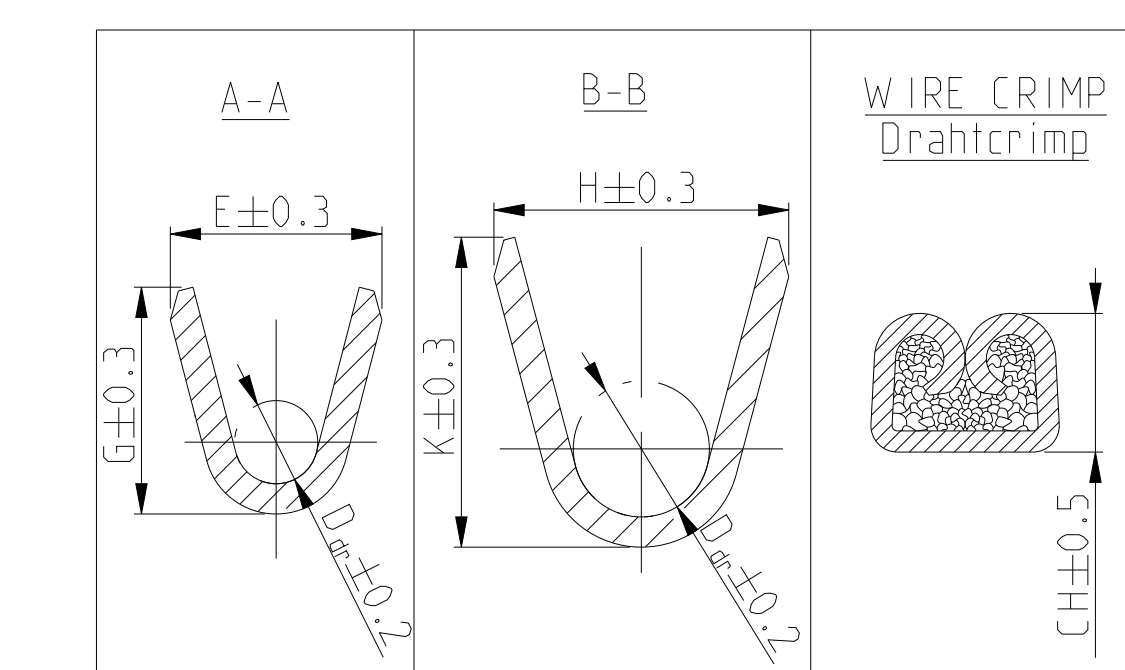
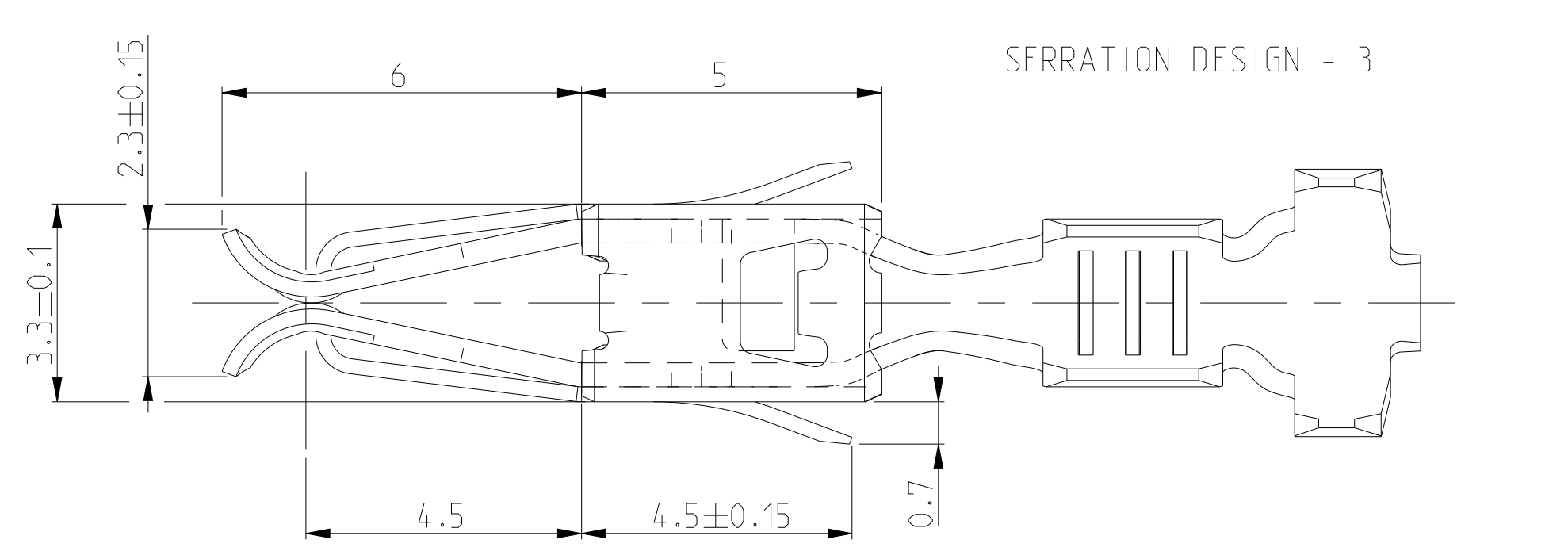
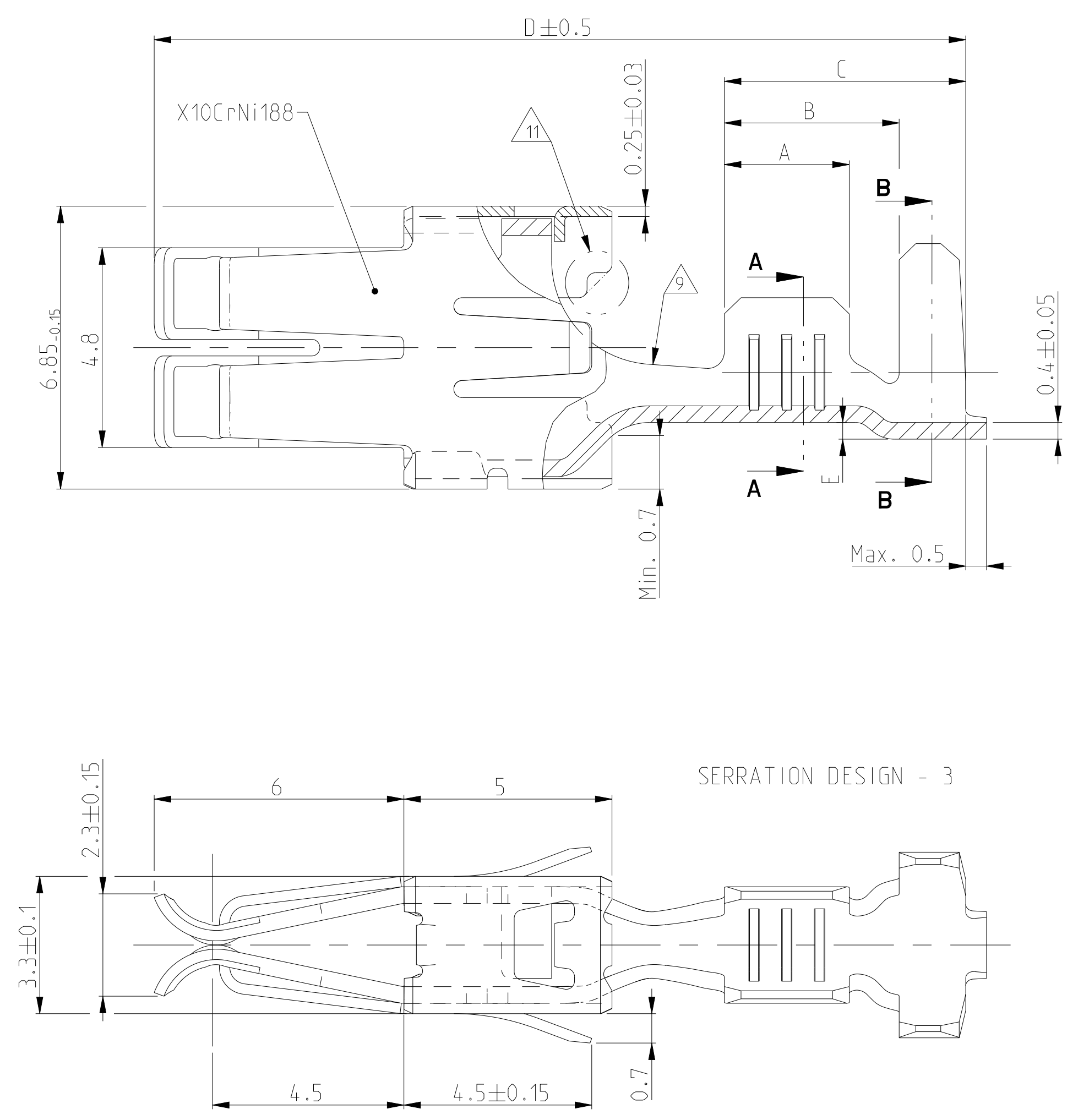


REV	DATE	APPD	DESCRIPTION
B10	20FEB2021	JJM	ADDED NEW PN 1862029-5 DETAILS IN BOM
B11	19MAY2021	JJM	REFER PCN: E-21-005125
B12	27MAY2021	JJM	CORRECTION INSUL-HEIGHT FOR PN 1862029-5
B13	08SEP2021	KMD	REVISION MISMATCH RESOLVED

VERSION A (UNSEALED / ungedichtet)

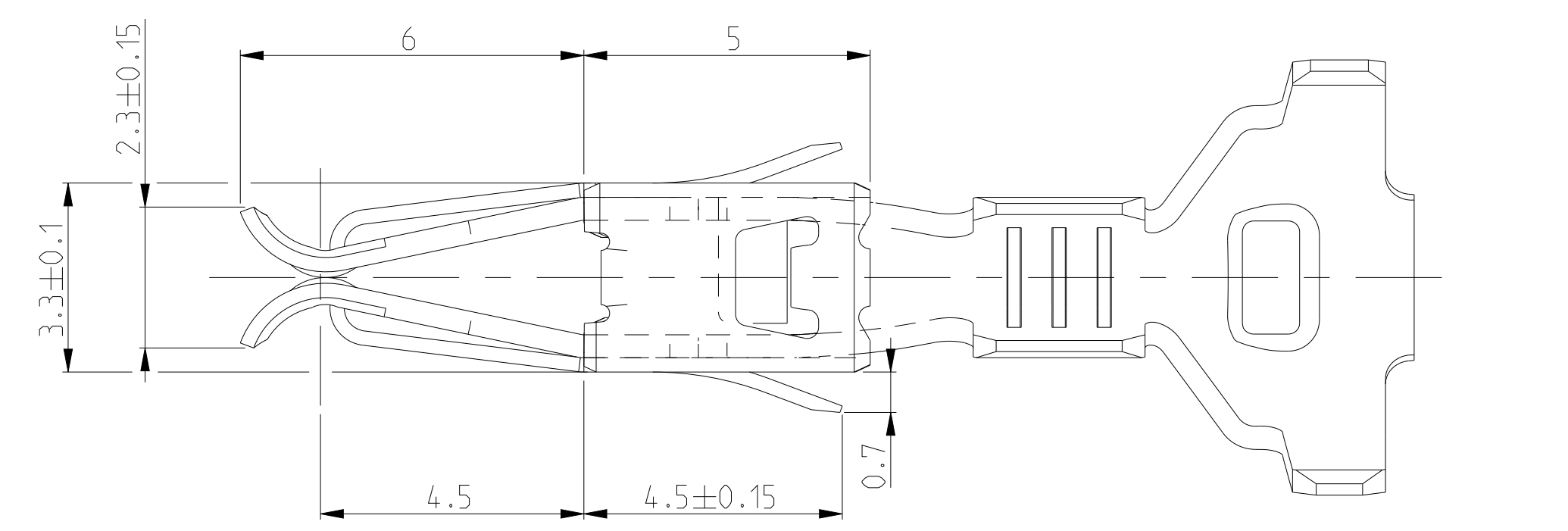
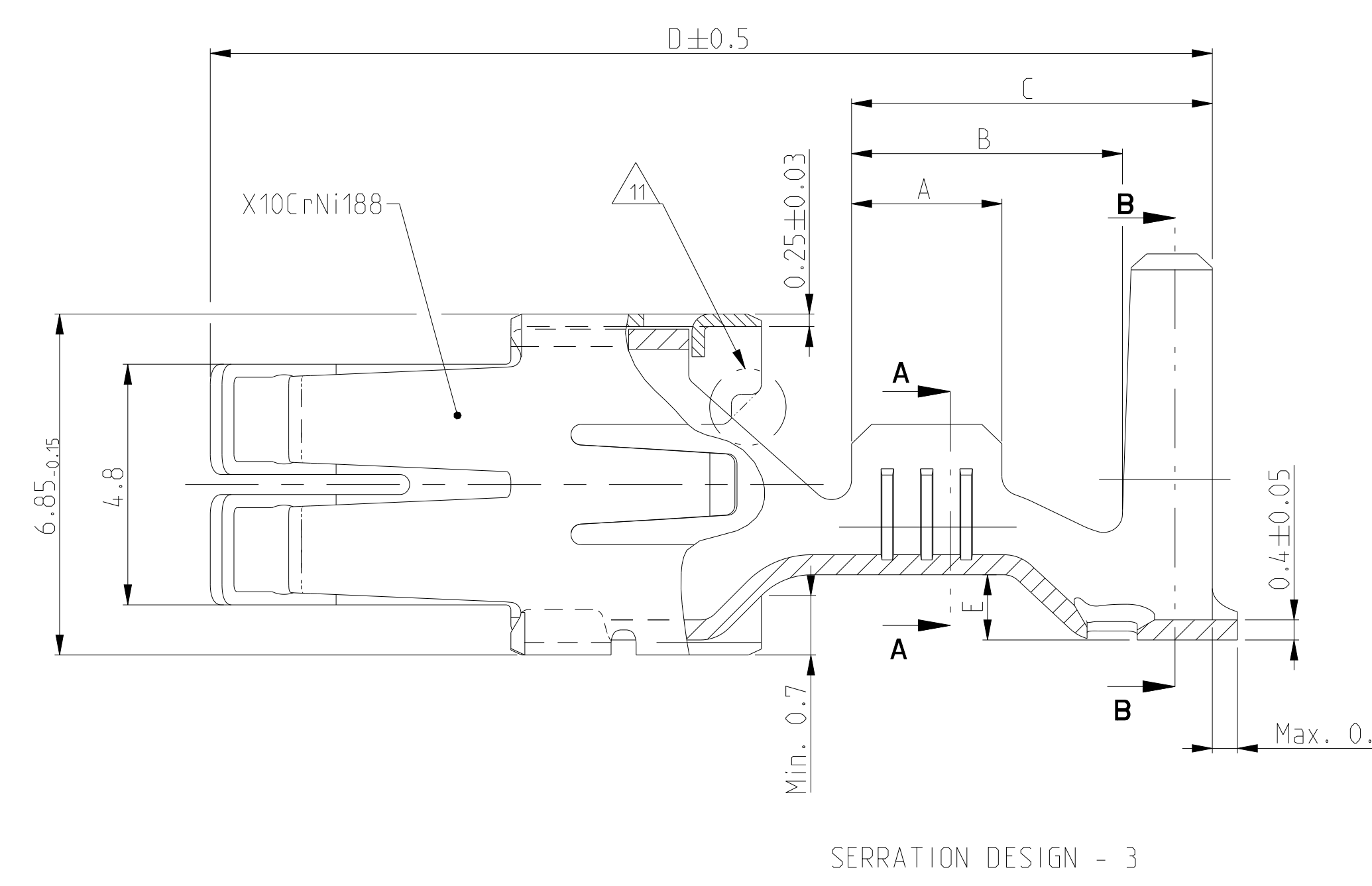


TE CONNECTIVITY ORDER - NO	REV	TE CONNECTIVITY ORDER - NO	REV	TE CONNECTIVITY ORDER - NO	REV	TE CONNECTIVITY ORDER - NO	REV	MATERIAL	SURFACE	CRIMP DIMENSIONS (mm)	EXTRACTION TOOL	HAND TOOL	TE CONNECTIVITY ORDER - NO							
-	-	-	-	-	-	-	-	CuFe2	PRESILVERED vorversilbert	0.35 - 0.5 FLR	E = 2.37 G = 2.45 Dp = 0.8	H = 2.8 K = 3.1 Dp = 1.4	0.5mm ² = 1.14 0.35mm ² = 1.09 0.5mm ² = 1.14 0.35mm ² = 1.09	MQC - Applicator 2837770-2	-	2.5	3.8	6.6	19.5	0.3
-	-	-	-	-	-	-	-	CuFe2	-	0.35 - 0.5 FLU	E = 2.2 G = 2.2 Dp = 0.8	H = 3.7 K = 3.8 Dp = 2.0	0.20mm ² = 1.13 0.25mm ² = 1.15 0.35mm ² = 1.19 0.50mm ² = 1.26	MQC - Applicator 878426-2	539635-1 WITH DIE: mit Matrize 539744-2	2.5	3.8	6.6	19.5	0.3
-	-	-	-	-	-	-	-	CuSn4 CuFe2	PRETINNED vorverzinkt	0.2 - 0.5 FLK	E = 2.8 G = 3.0 Dp = 1.1	H = 4.5 K = 4.7 Dp = 2.4	0.5mm ² = 1.38 0.75mm ² = 1.47 1.0mm ² = 1.56	MQC - Applicator 2-541689-2	539733-2 WITH DIE: mit Matrize 736249-0	3	4.2	5.8	19.5	0.4
-	-	-	-	-	-	-	-	CuSn4 CuFe2	PRETINNED vorverzinkt	0.5 - 1.0 FLK	E = 3.8 G = 4.1 Dp = 1.6	H = 5.7 K = 5.8 Dp = 3.6	1.5mm ² = 1.76 2.0mm ² = 1.90 2.5mm ² = 2.04	MQC - Applicator 878367-2	539635-1 WITH DIE: mit Matrize 539733-2	3.5	4.7	6.3	19.5	0.4
927824-2	C	-	-	-	-	-	-	CuSn4	PRETINNED vorverzinkt	>2.5 - 4.0 FLK	E = 4.6 G = 4.8 Dp = 2.4	H = 6.3 K = 6.6 Dp = 4.0	3.0mm ² = 2.13 3.5mm ² = 2.24 4.0mm ² = 2.35	MQC - Applicator 2-878314-2	539635-1 WITH DIE: mit Matrize 539734-2	4	5.2	6.8	19.5	0.6
927824-1	C	-	-	-	-	-	-	CuFe2	vorversilbert PRESILVERED	4.0 - 6.0 FLK	E = 5.2 G = 5.5 Dp = 2.9	H = 7.3 K = 7.6 Dp = 4.5	4.0mm ² = 2.17 5.0mm ² = 2.36 6.0mm ² = 2.55	MQC - Applicator 2-878738-2	-	4.2	5.6	7.7	20	0.6
1241818-5	B	-	-	-	-	-	-	CuFe2	vorverzinkt PRETINNED	0.2 - 0.5 FLR	E = 2.2 G = 2.2 Dp = 0.8	H = 2.8 K = 2.8 Dp = 1.4	0.2mm ² = 1.13 0.35mm ² = 1.19 0.5mm ² = 1.26	MQC - Applicator 878427-2	-	2.5	3.8	6.6	19.5	0.3
927840-5	C	-	-	-	-	-	-	CuFe2	vorversilbert PRESILVERED	0.5 - 1.0 FLR	E = 2.8 G = 3.0 Dp = 1.1	H = 3.9 K = 4.1 Dp = 1.8	0.5mm ² = 1.43 0.75mm ² = 1.52 1.0mm ² = 1.61	MQC - Applicator 878328-2	169400-0 WITH DIE: mit Matrize 734781-1	3	4.2	5.8	19.5	0.4
927840-4	C	-	-	-	-	-	-	CuSn4	vorverzinkt PRETINNED	>1.0 - 2.5 FLR	E = 3.8 G = 4.1 Dp = 1.6	H = 4.8 K = 4.9 Dp = 2.6	1.25mm ² = 1.69 1.5mm ² = 1.76 2.0mm ² = 1.90 2.5mm ² = 2.04	MQC - Applicator 878356-2	169400-0 WITH DIE: mit Matrize 734251-0	3.5	4.7	6.3	19.5	0.4
927840-2	C	-	-	-	-	-	-	CuSn4	vorverzinkt PRETINNED	>2.5 - 4.0 FLR	E = 4.6 G = 4.8 Dp = 2.4	H = 5.5 K = 5.7 Dp = 3.3	3.0mm ² = 2.13 3.5mm ² = 2.24 4.0mm ² = 2.35	MQC - Applicator 2-878384-2	169400-0 WITH DIE: mit Matrize 734251-0	4	5.2	6.8	19.5	0.6



VERSION B (SINGLE WIRE SEAL / Einzel-Dichtungs-System)

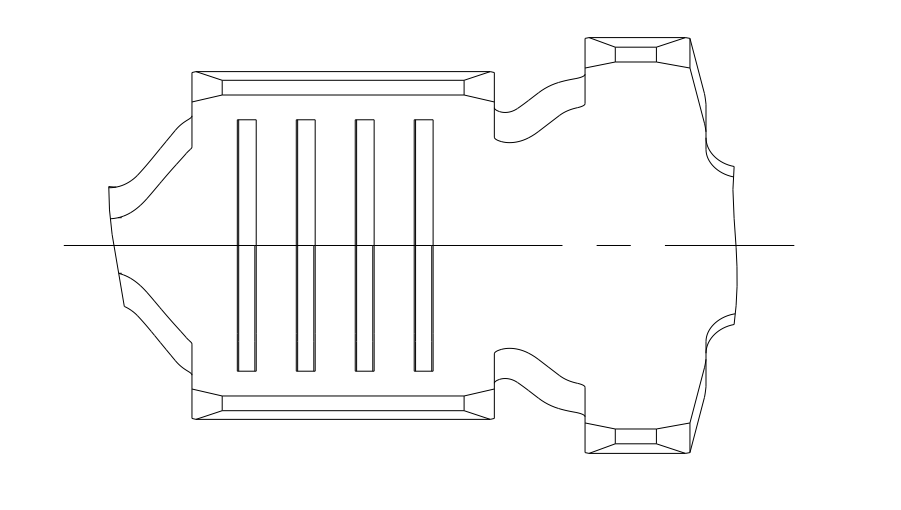
TE CONNECTIVITY ORDER - NO	REV	TE CONNECTIVITY ORDER - NO	REV	TE CONNECTIVITY ORDER - NO	REV	TE CONNECTIVITY ORDER - NO	REV	MATERIAL	SURFACE	CRIMP DIMENSIONS (mm)	EXTRACTION TOOL	HAND TOOL	TE CONNECTIVITY ORDER - NO									
-	-	-	-	-	-	-	-	CuSn4	vorverzinkt PRETINNED	0.5 - 1.0 FLR	E = 2.8 G = 3.0 Dp = 1.1	H = 7.6 K = 7.7 Dp = 5.6	0.5mm ² = 1.43 0.75mm ² = 1.52 1.0mm ² = 1.61	MQC - Applicator 878337-2	539635-1 WITH DIE: mit Matrize 739736-2	3	5.4	7.2	20	1.25	963243-1 963244-1	100132-1
-	-	-	-	-	-	-	-	CuSn4	vorverzinkt PRETINNED	>1.0 - 2.5 FLR	E = 3.8 G = 4.1 Dp = 1.6	H = 7.6 K = 7.7 Dp = 5.6	1.5mm ² = 1.76 2.0mm ² = 1.90 2.5mm ² = 2.04	MQC - Applicator 878338-2	539635-1 WITH DIE: mit Matrize 539736-2	3.5	5.9	7.7	20	1.25	963244-1 963245-1	100132-1
-	-	-	-	-	-	-	-	CuSn4	vorverzinkt PRETINNED	>2.5 - 4.0 FLR	E = 4.6 G = 4.8 Dp = 2.4	H = 7.6 K = 7.7 Dp = 5.6	3.0mm ² = 2.13 4.0mm ² = 2.35	MQC - Applicator 878441-2	539635-1 WITH DIE: mit Matrize 539736-2	4	5.9	7.7	20	1.25	963245-1	100132-1
2-928966-2	D	-	-	-	-	-	-	CuSn4	vorverzinkt PRETINNED	>3.0 - 5.0 FLR	E = 4.8 G = 5.2 Dp = 2.5	H = 8.15 K = 7.8 Dp = 6.0	3.0mm ² = 2.25 4.0mm ² = 2.50 5.0mm ² = 2.75	MQC - Applicator -	WITH DIE: mit Matrize	4	5.9	7.7	20	1.25	967011-1 963245-1	100132-1



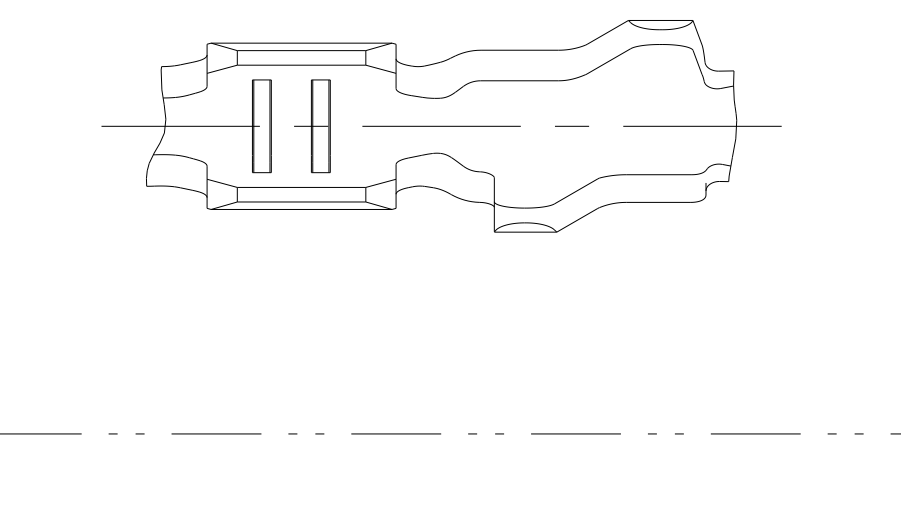
- CONTACT ZONE SELECTIVE PRE SILVER PLATED MIN 3-4.5µm Kontaktzone selektiv vorversilbert min. 3-4.5µm
- CONTACT ZONE SELECTIVE PRE SILVER PLATED MIN 1-1.5µm Kontaktzone selektiv vorversilbert min. 1-1.5µm
- CONTACT BODY: ELECTRO TIN PLATED OVER NICKEL CONTACT AREA: GOLD PLATED Kontaktkoerper: gal. verzinkt ueber Nickel Kontaktzone: vergoldet
- CONTACT BODY: ELECTRO TIN PLATED OVER NICKEL CONTACT AREA: SELECTIVE NICKEL PLATED 2-4µm Kontaktkoerper: gal. verzinkt ueber Nickel Kontaktzone: selektiv vernickelt 2-4µm
- CONTACT BODY: ELECTRO TIN PLATED OVER NICKEL TOUCHING AREA TO CANTILEVER SPRING: SELECTIVE AU PLATED OVER NICKEL CANTILEVER SPRING: COMPLETELY AU PLATED Kontaktkoerper: gal. verzinkt ueber Nickel Anlageflaeche zur Ueberfeder selektiv Au ueber Ni beschichtet Ueberfeder: komplett Au beschichtet

- WRAP CRIMP ONLY FOR PN: 927839, 927840, 928989 AND 928990 Umfassungscrimp nur bei PN: 927839, 927840, 928989 und 928990
- TRANSITION ONLY FOR PN 927827, 927828, 927829, 927830, 927833, 927834, 927837 AND 927838 Uebergang nur fuer PN 927827, 927828, 927829, 927830, 927833, 927834, 927837 und 927838
- 1-3µm Sn28M LAYER FOR HIGHER TEMPERATURE REQUIREMENTS 1-3µm Sn28M Schicht fuer hoehere Temperaturanforderungen
- DOTTED LINE IS ALTERNATIVE SHAPE Gestrichelte Linie alternative Form
- OBsolete
- SEE APPLICATION SPEC. FOR PREFERRED STANDARD TO MEET NEW REQUIREMENT LV214-2 SLOW MOTION BENDING TEST Siehe Verarbeitungs Spezifikation fuer bevorzugten Standard um den neuen Anforderungen der LV214-2 Slow Motion Pruefung zu genuegen

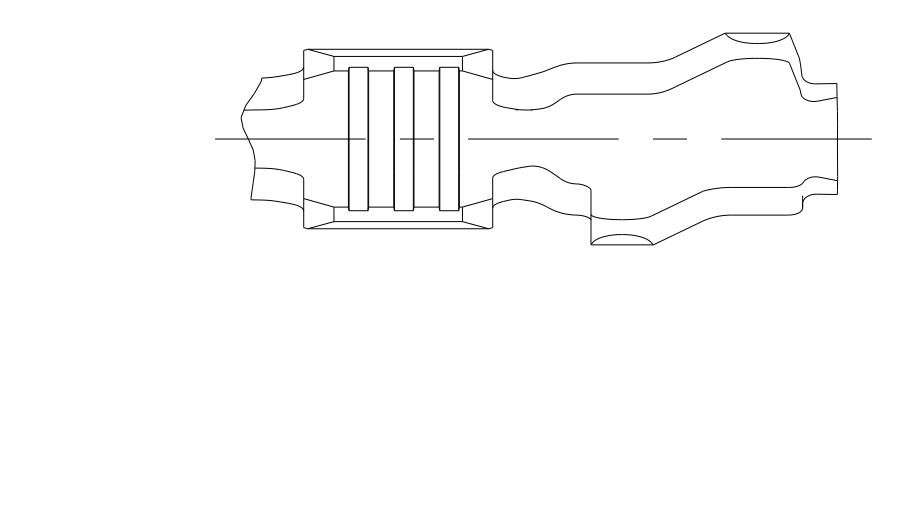
SERRATION DESIGN - 1



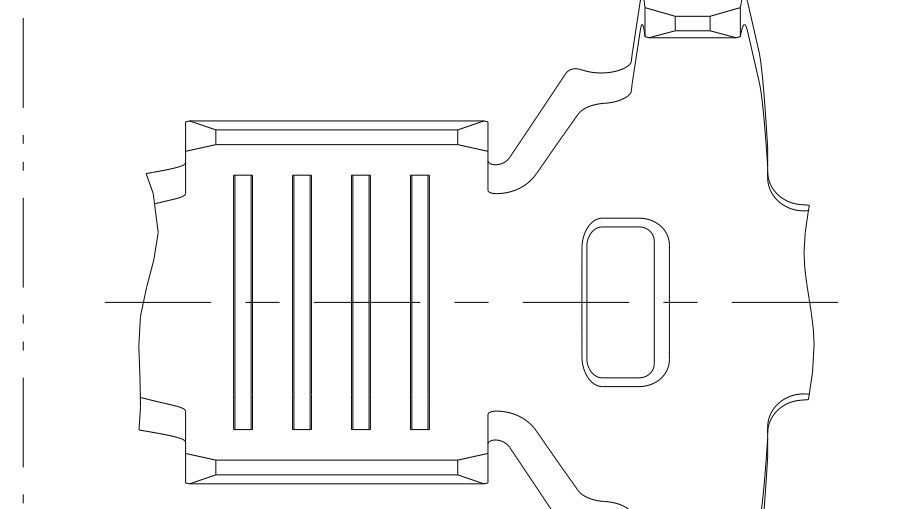
SERRATION DESIGN - 2



SERRATION DESIGN - 4



SERRATION DESIGN - 1



THIS DRAWING IS A CONTROLLED DOCUMENT. DIMENSIONING AND TOLERANCING PER GPS (ISO STANDARDS).

DATE: 20210111
 DRAWN BY: M. HUNDEL
 CHECKED BY: M. HUNDEL
 APPROVED BY: M. HUNDEL
 PROJECT SPEC: 108-18025
 APPLICATION SPEC: 114-18037
 MATERIAL: -
 FINISH: -

STANDARD POWER TIMER CONTACT
 Standard Power Timer Kontakt

SCALE: 10:1
 SHEET: 1 OF 1
 REV: B13

Mouser Electronics

Authorized Distributor

Click to View Pricing, Inventory, Delivery & Lifecycle Information:

[TE Connectivity:](#)

[927829-1](#)