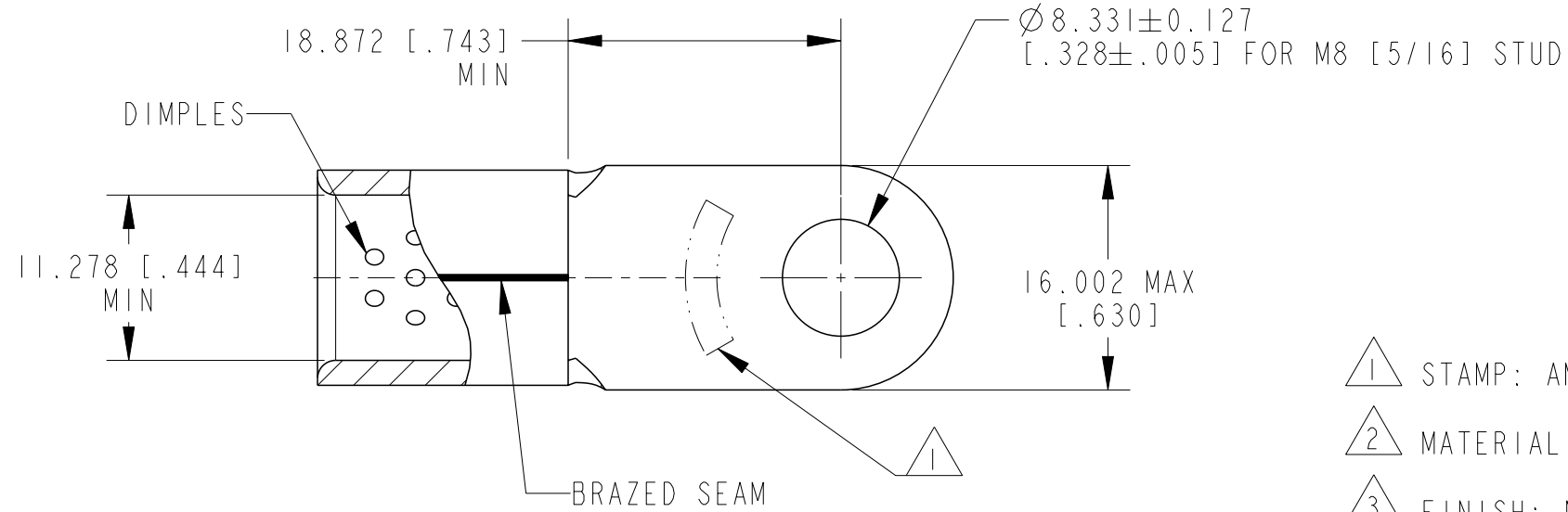
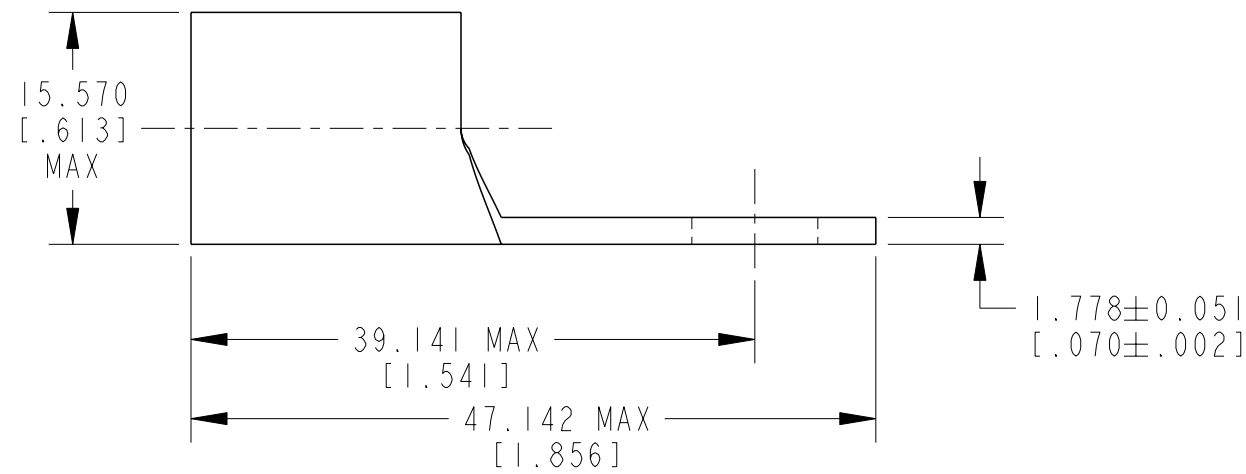


REVISIONS

P	LTR	DESCRIPTION	DATE	DWN	APVD
	B1	ECO-20-004274	26MAR2021	RK	DR



- 1 STAMP: AMP I/O W APPROX AS SHOWN.
- 2 MATERIAL: COPPER PER ASTM B152.
- 3 FINISH: NICKEL PLATE 0.00762[.000300] MIN EXT THK PER SAE AMS QQ-N-290



50	LOOSE PIECE	132066-2
QTY	PACKAGE TYPE	PART NUMBER

MAX. TEMP:
343°C [649°F]
VOLTAGE RATING:
N/A
CIRCULAR MIL AREA:
42.4-60.6 mm²
[83,700-119,500]
SOLID OR STRANDED

THIS DRAWING IS A CONTROLLED DOCUMENT.

DIMENSIONS: mm [INCHES]	TOLERANCES UNLESS OTHERWISE SPECIFIED:
	0 PLC ±- 1 PLC ±- 2 PLC ±- 3 PLC ±0.127 (.005) 4 PLC ±- ANGLES ±-
MATERIAL	FINISH
2	3

DWN	06APR2020
CHK	RAGHAVENDRA.K
APVD	DANIEL.R
APVD	06APR2020
PRODUCT SPEC	-
APPLICATION SPEC	114-2162
WEIGHT	-
CUSTOMER DRAWING	

		NAME	
		TERMINAL RING TONGUE, STRATO-THERM HEAT RESISTANT, WIRE SIZE: 1/0 AWG	
SIZE	CAGE CODE	DRAWING NO	RESTRICTED TO
A3	00779	C-132066	-
SCALE		SHEET	REV
2:1		1 OF 1	B1

Printed on 29 Jun 2021 17:26 (India Standard Time) from FR019765

Mouser Electronics

Authorized Distributor

Click to View Pricing, Inventory, Delivery & Lifecycle Information:

[TE Connectivity:](#)

[132066-2](#)